



US00D777865S

(12) **United States Design Patent**
de Boer

(10) **Patent No.:** **US D777,865 S**

(45) **Date of Patent:** **** *Jan. 31, 2017**

(54) **TRAMPOLINE WITH SUSPENSION MEMBERS**

(71) Applicant: **Bellicon AG**, Bellikon (CH)

(72) Inventor: **Evert G. de Boer**, Ommen (NL)

(73) Assignee: **Bellicon AG**, Bellikon (CH)

(*) Notice: This patent is subject to a terminal disclaimer.

(**) Term: **14 Years**

(21) Appl. No.: **29/522,658**

(22) Filed: **Apr. 1, 2015**

(30) **Foreign Application Priority Data**

Oct. 2, 2014 (WO) 843135301

(51) **LOC (10) Cl.** **21-02**

(52) **U.S. Cl.**
USPC **D21/797**

(58) **Field of Classification Search**

USPC D21/797, 668, 669, 834, 826; D6/716;
482/27, 35, 29, 112, 33, 110, 148, 28, 77,
482/147, 51; 297/452.18; 135/96, 117;
D30/112; D25/1, 16, 22, 56; 446/220;
473/469; 182/139, 224; 273/395, 402
CPC A63B 5/11; A63B 21/023; A63B 2208/12;
A63B 71/022; A63B 2210/50

See application file for complete search history.

(56) **References Cited**

U.S. PATENT DOCUMENTS

3,195,890 A * 7/1965 Salls A63B 25/08
482/128
3,256,021 A * 6/1966 Nissen A63B 5/11
182/139
3,765,673 A * 10/1973 Daw A63B 5/11
482/26

D270,557 S * 9/1983 Williams D21/797
4,477,070 A * 10/1984 Appelbaum A63B 69/0035
482/28
4,489,933 A * 12/1984 Fisher A63B 5/11
482/147
4,598,905 A * 7/1986 Vrana A63B 5/11
482/27
4,730,826 A * 3/1988 Sudmeier A63B 5/11
482/28
D304,850 S * 11/1989 Chambers D21/669
D325,951 S * 5/1992 Johnson D21/669
D362,478 S * 9/1995 Wilkinson D21/797
D363,325 S * 10/1995 Wilkinson D21/797
5,545,110 A 8/1996 Hsiang
(Continued)

Primary Examiner — Robert M Spear

Assistant Examiner — Ryan Harvey

(74) *Attorney, Agent, or Firm* — Husch Blackwell LLP

(57) **CLAIM**

The ornamental design for a trampoline with suspension members, as shown and described.

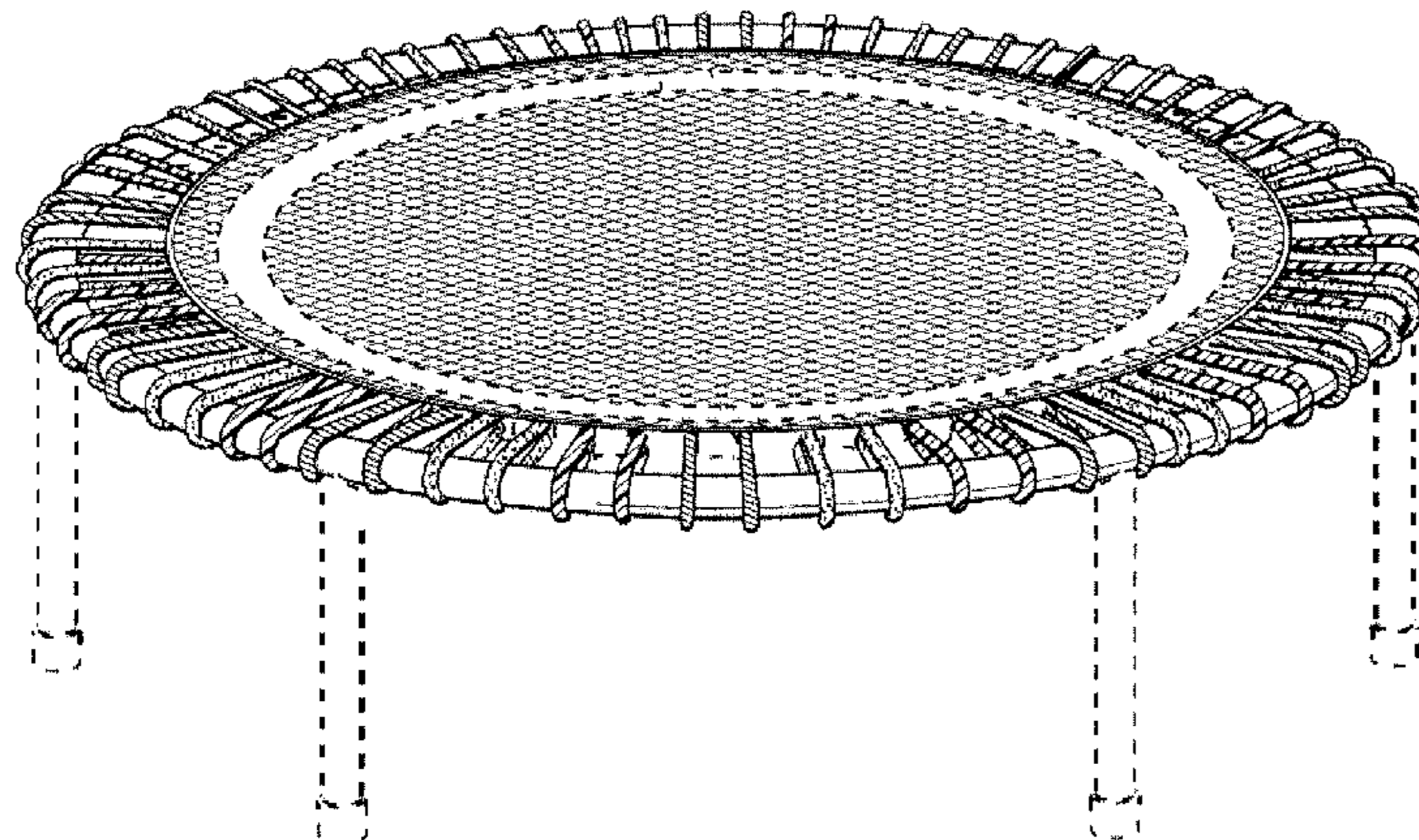
DESCRIPTION

FIG. 1 is a front perspective view of a trampoline with suspension members showing our new design; FIG. 2 is a top plan view thereof; FIG. 3 is a front elevation view thereof; FIG. 4 is a bottom plan view thereof; FIG. 5 is a rear elevation view thereof; FIG. 6 is a right elevation view thereof; and, FIG. 7 is a left elevation view thereof.

With respect to the drawings, stippled surface shading is used to represent a first appearance, line shading is used to represent a contrasting appearance, and alternating narrow line-bold line shading is used to represent another contrasting appearance for the suspension members.

The broken lines in the drawings represent unclaimed environmental subject matter and form no part of the claim.

1 Claim, 4 Drawing Sheets



(56)

References Cited

U.S. PATENT DOCUMENTS

D384,115 S *	9/1997	Wilkinson	D21/668	2007/0004559 A1*	1/2007	Alexander	A63B 5/11
6,001,045 A *	12/1999	Gift	A63B 5/11					482/27
6,053,845 A *	4/2000	Publicover	A63B 5/11	2008/0314427 A1*	12/2008	Lai	A63H 33/008
				482/27					135/96
6,139,474 A	10/2000	Gift et al.			2009/0280961 A1*	11/2009	Ikegami	A63B 5/11
D496,422 S *	9/2004	Rota	D21/780					482/27
D504,711 S	5/2005	Hsiung			2011/0021322 A1*	1/2011	Schaffer	A63B 5/11
D570,947 S *	6/2008	Horne	D21/797					482/29
8,038,580 B2	10/2011	Pieper et al.			2012/0123897 A1	5/2012	Gargiulo		
8,246,521 B2*	8/2012	Alexander	A63B 5/00	2013/0097050 A1	4/2013	Soracco et al.		
				482/142	2013/0210590 A1*	8/2013	Publicover	A63B 5/11
8,255,807 B2	8/2012	Ganz et al.							482/110
D680,609 S *	4/2013	Publicover	D21/797	2013/0316876 A1	11/2013	Publicover et al.		
D712,497 S *	9/2014	Yang	D21/797	2014/0006204 A1	1/2014	Candrian et al.		
D716,574 S *	11/2014	Akkad	D6/368	2014/0032356 A1	1/2014	Chuang et al.		
D720,550 S *	1/2015	Akkad	D6/368	2014/0228176 A1*	8/2014	Miller	A63B 5/11
9,033,853 B1*	5/2015	McMurtrey	A63B 5/00					482/27
				482/112	2014/0287879 A1	9/2014	Hall		
2002/0137598 A1*	9/2002	Publicover	A63B 5/11	2014/0315691 A1*	10/2014	Turner	A63B 26/003
				482/27					482/27
2002/0160884 A1*	10/2002	Hall	A63B 5/11	2014/0336005 A1*	11/2014	Miller	A63B 5/11
				482/23					482/27
2005/0113213 A1*	5/2005	Alexander	A63B 5/11	2014/0342880 A1*	11/2014	Nelson	A63B 5/11
				482/27					482/27
2005/0227812 A1	10/2005	James			2014/0344098 A1	11/2014	Vaughn		
2006/0106682 A1	5/2006	Van Dyck et al.			2015/0006313 A1	1/2015	Beaver et al.		
2006/0172861 A1*	8/2006	Wang	A63B 5/11	2015/0076888 A1*	3/2015	Xu	A63G 9/14
				482/27					297/452.18
2006/0223676 A1*	10/2006	Rote	A63B 5/11	2015/0080186 A1*	3/2015	Carlin	A63B 5/11
				482/27					482/27
					2015/0157889 A1*	6/2015	Miller	A63B 5/11
									482/27

* cited by examiner

Fig. 1

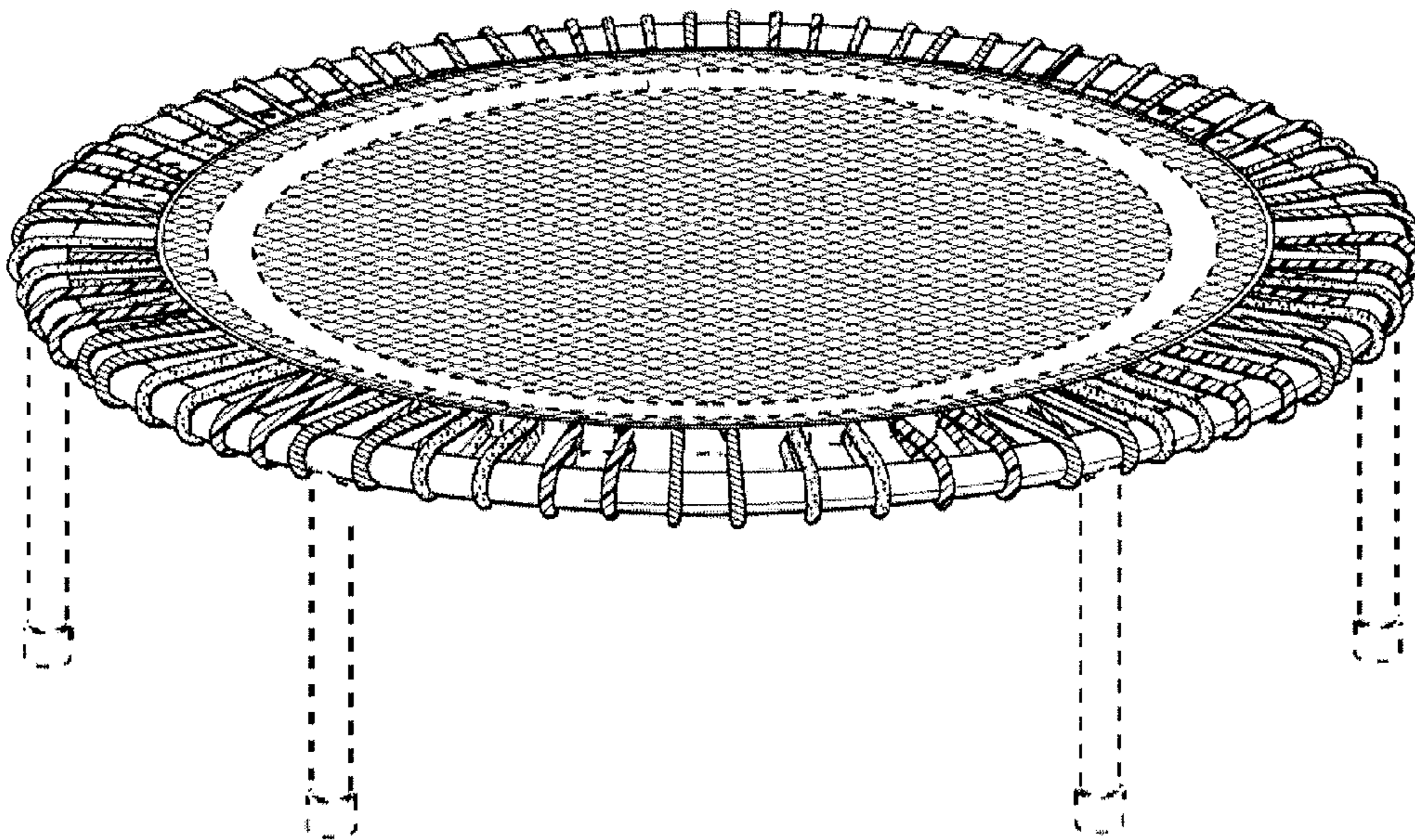


Fig. 2

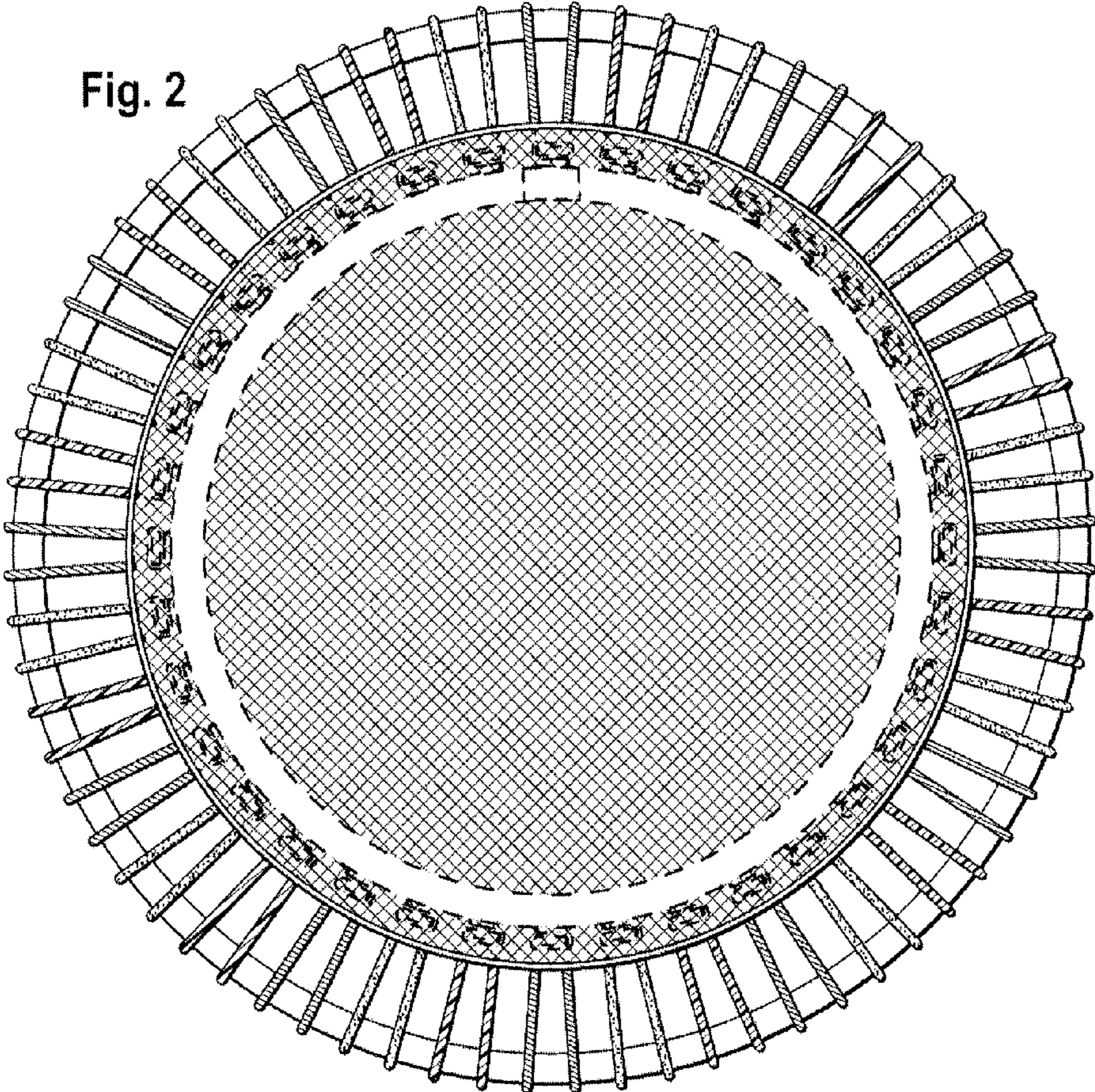


Fig. 3

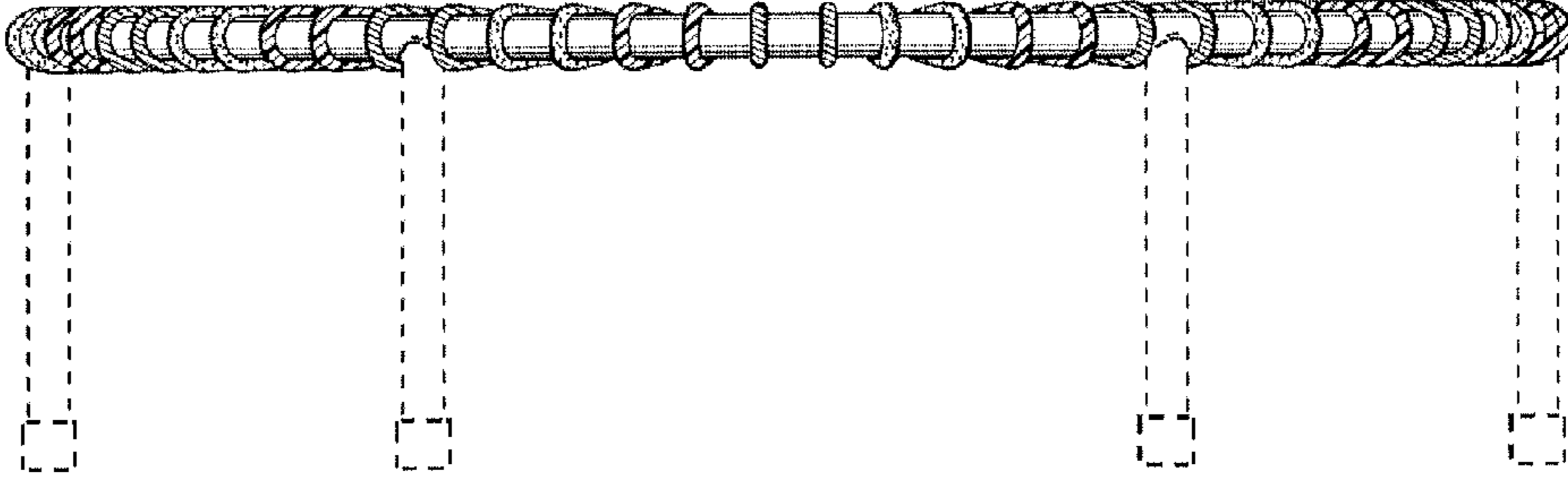


Fig. 4

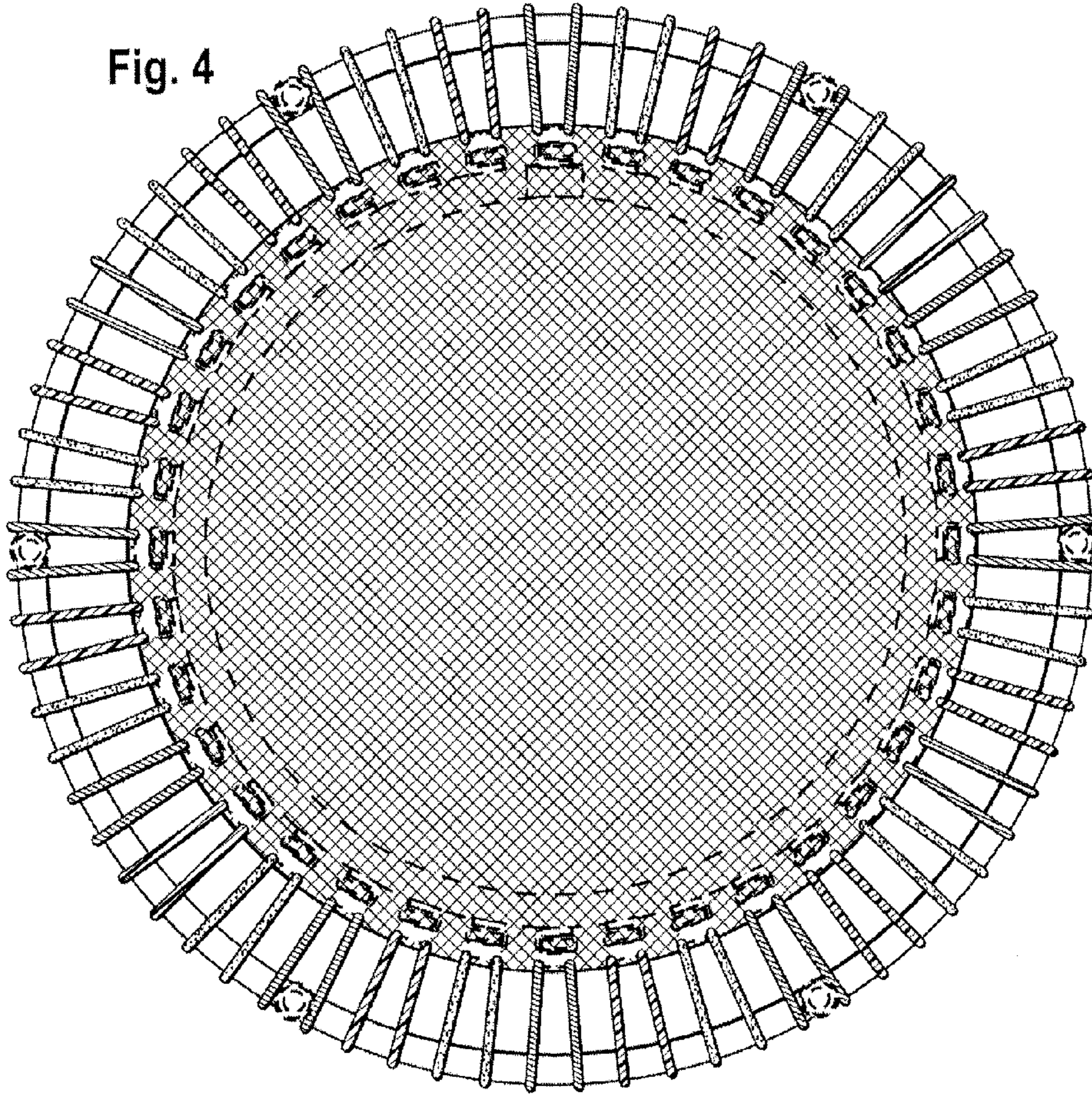


Fig. 5

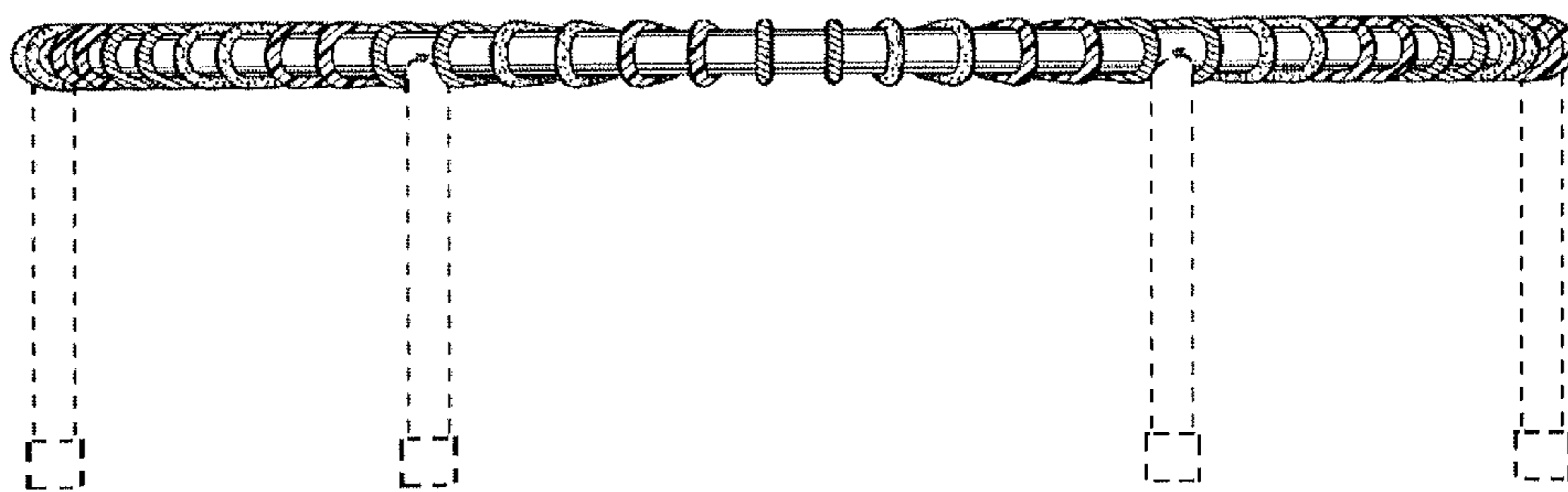


Fig. 6

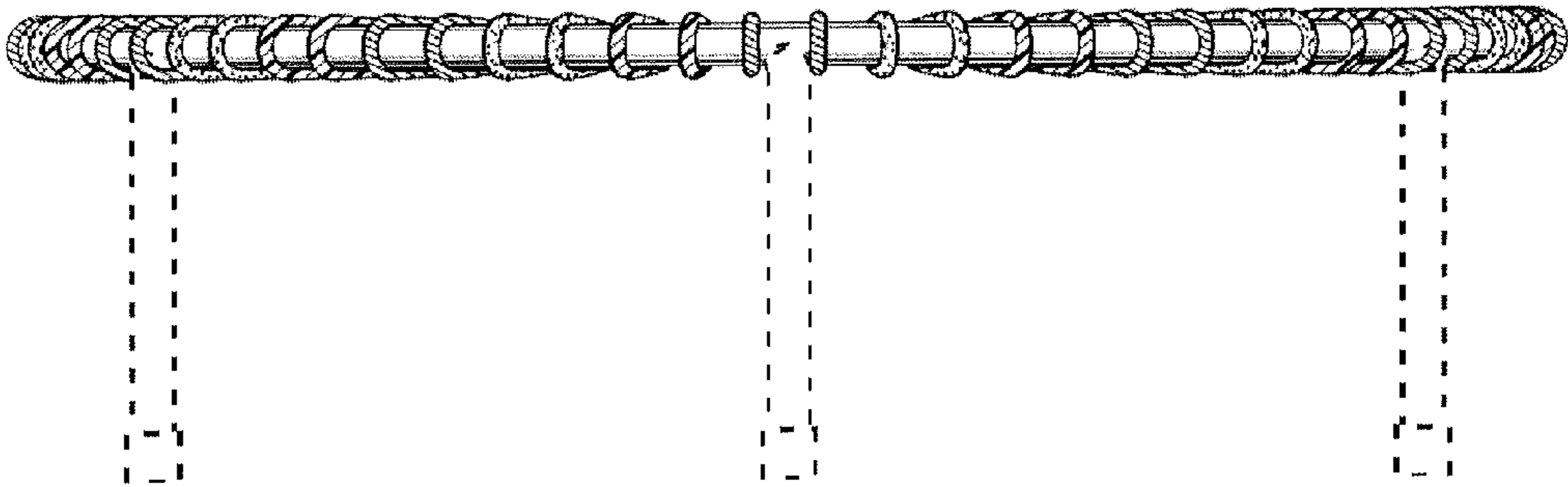


Fig. 7

