



US00D777864S

(12) **United States Design Patent**
Shirakawa et al.

(10) **Patent No.:** **US D777,864 S**
(45) **Date of Patent:** **** Jan. 31, 2017**

(54) **GOLF PRACTICE PLATFORM**

(71) Applicants: **Ray Shirakawa**, Millilani, HI (US);
Carl Sjostrom, Menifee, CA (US);
Andrew Sjostrom, Menifee, CA (US)

(72) Inventors: **Ray Shirakawa**, Millilani, HI (US);
Carl Sjostrom, Menifee, CA (US);
Andrew Sjostrom, Menifee, CA (US)

(73) Assignee: **Play Better Golf, Inc.**, Menifee, CA (US)

(**) Term: **15 Years**

(21) Appl. No.: **29/540,473**

(22) Filed: **Sep. 24, 2015**

(51) **LOC (10) Cl.** **21-02**

(52) **U.S. Cl.**
USPC **D21/791**

(58) **Field of Classification Search**
USPC D21/789, 791
CPC A63B 69/3667; A63B 69/3673; A63B
2069/367; A63B 69/3652
See application file for complete search history.

(56) **References Cited**

U.S. PATENT DOCUMENTS

4,917,385	A *	4/1990	Brown	A63B 69/3667
					473/273
5,779,557	A *	7/1998	Scannell	A63B 69/3667
					473/269
5,976,027	A *	11/1999	Kachmar	A63B 69/3667
					473/273
D491,246	S *	6/2004	Walsh	D21/791
D557,366	S *	12/2007	Witt	D21/791
D728,719	S *	5/2015	Starrs	D21/791
2002/0111225	A1 *	8/2002	Sobol	A63B 24/0021
					473/278
2002/0128084	A1 *	9/2002	Lee	A63B 57/0006
					473/132

(Continued)

Primary Examiner — Mitchell Siegel

(74) *Attorney, Agent, or Firm* — Keri Ann K. S. Krzykowski; Martin E. Hsia

(57) **CLAIM**

The ornamental design for a golf practice platform, as shown and described.

DESCRIPTION

FIG. 1 is an elevational view of the presently preferred embodiment of the golf practice platform of our new design from the left, shown in the compressed configuration, the elevational view thereof from the right being the mirror image thereof;

FIG. 2 is a perspective view thereof from the front left, shown in the uncompressed configuration, the perspective view thereof from the front left of the compressed configuration being the same;

FIG. 3 is a top plan view thereof, shown in the uncompressed configuration, the top plan view thereof of the compressed configuration being the same;

FIG. 4 is a bottom plan view thereof, shown in the uncompressed configuration, the bottom plan view thereof shown in the compressed configuration being the same;

FIG. 5 is an elevational view thereof from the front, shown in the uncompressed configuration;

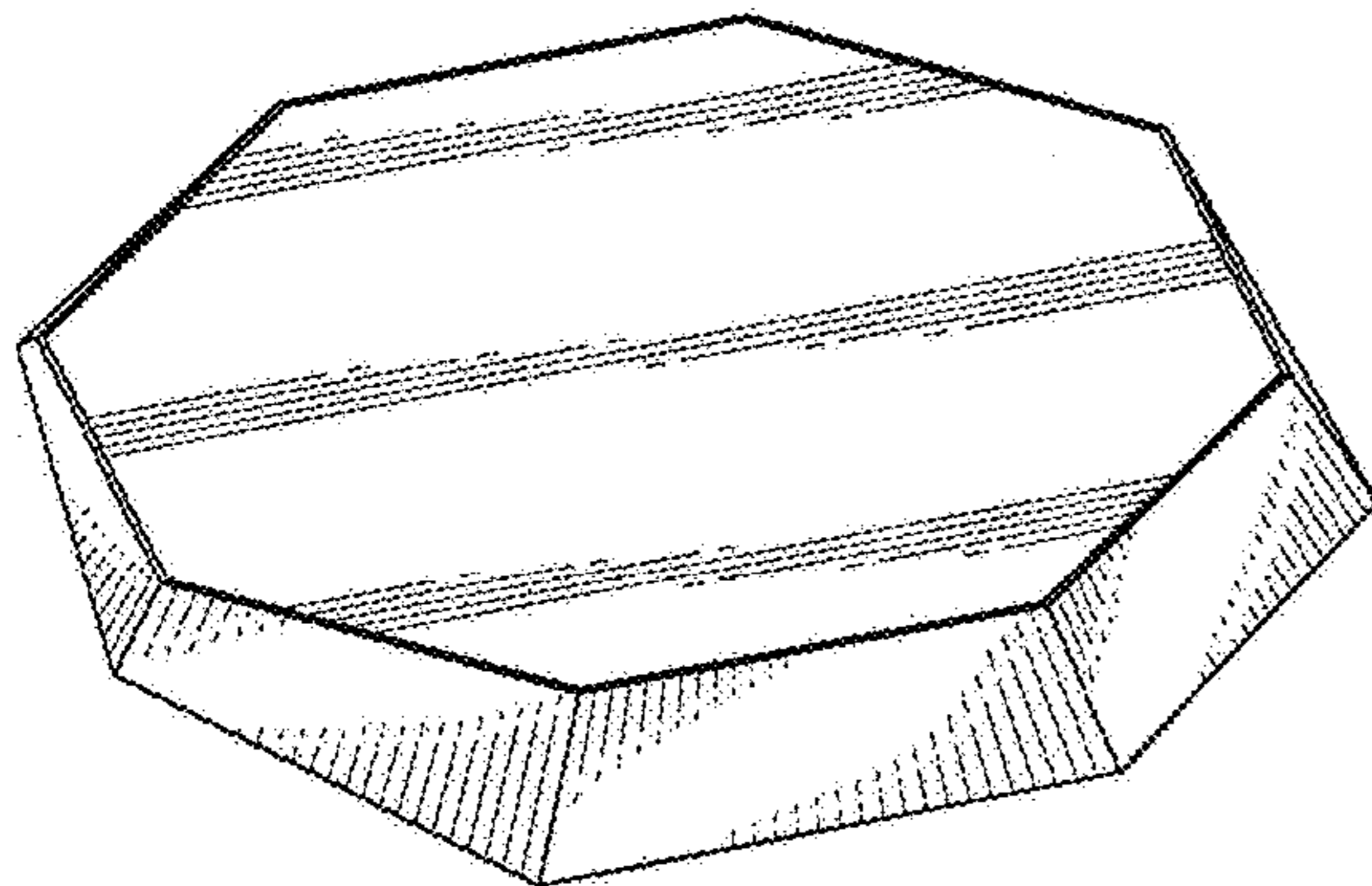
FIG. 6 is an elevational view thereof from the rear, shown in the uncompressed configuration;

FIG. 7 is an elevational view thereof from the right, shown in the uncompressed configuration; and,

FIG. 8 is an elevational view thereof from the left, shown in the uncompressed configuration.

The broken lines in FIG. 1 show unclaimed environmental structure, and form no part of the claimed design.

1 Claim, 3 Drawing Sheets



(56)

References Cited

U.S. PATENT DOCUMENTS

2004/0082399 A1* 4/2004 Shioda A63B 69/3673
473/270
2004/0142759 A1* 7/2004 Gianfagna A63B 69/3661
473/278
2005/0090325 A1* 4/2005 Jong A63B 69/3652
473/279
2005/0113182 A1* 5/2005 Kim A63B 69/3673
473/279

* cited by examiner

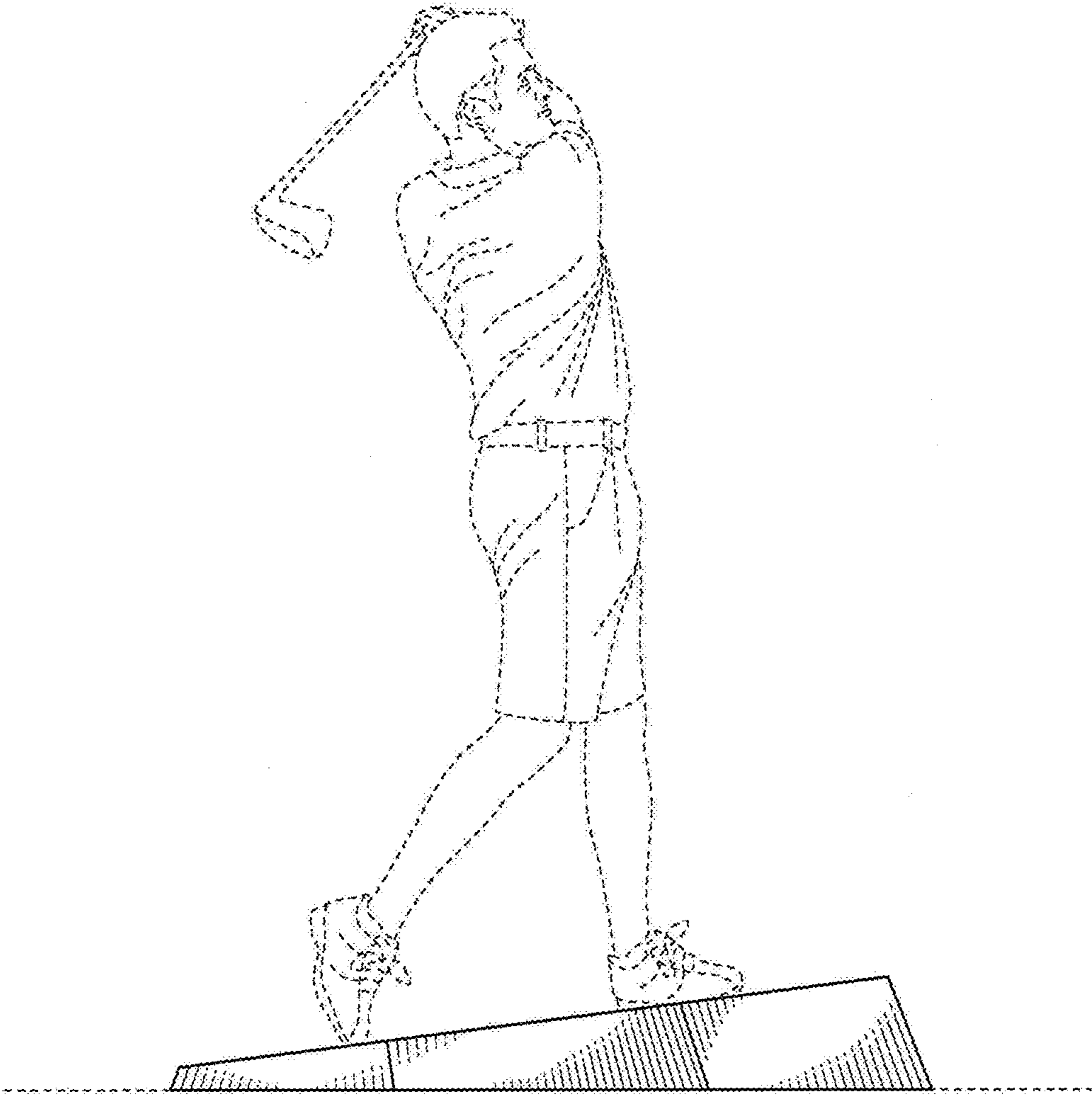


FIG. 1

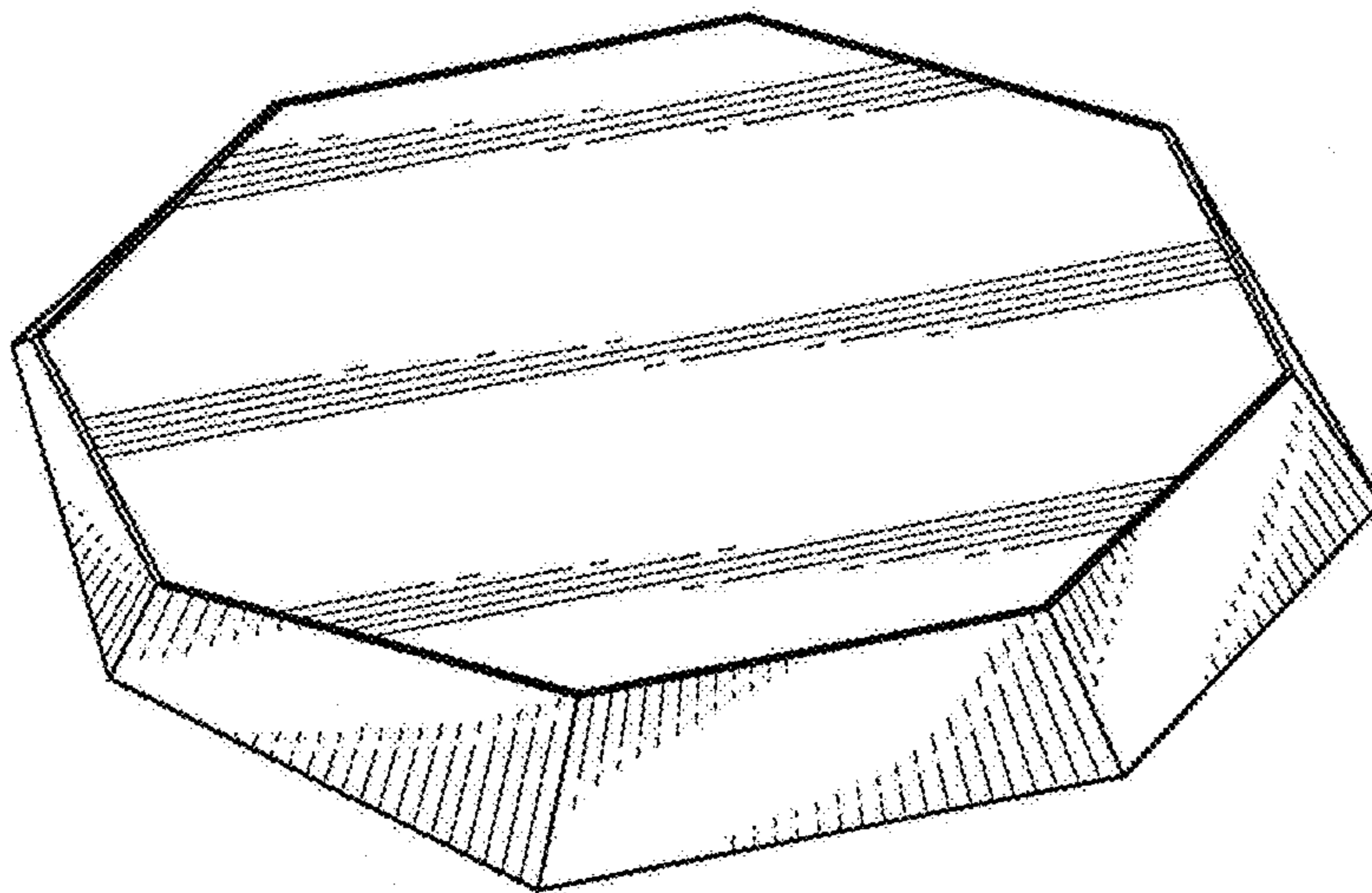


FIG. 2

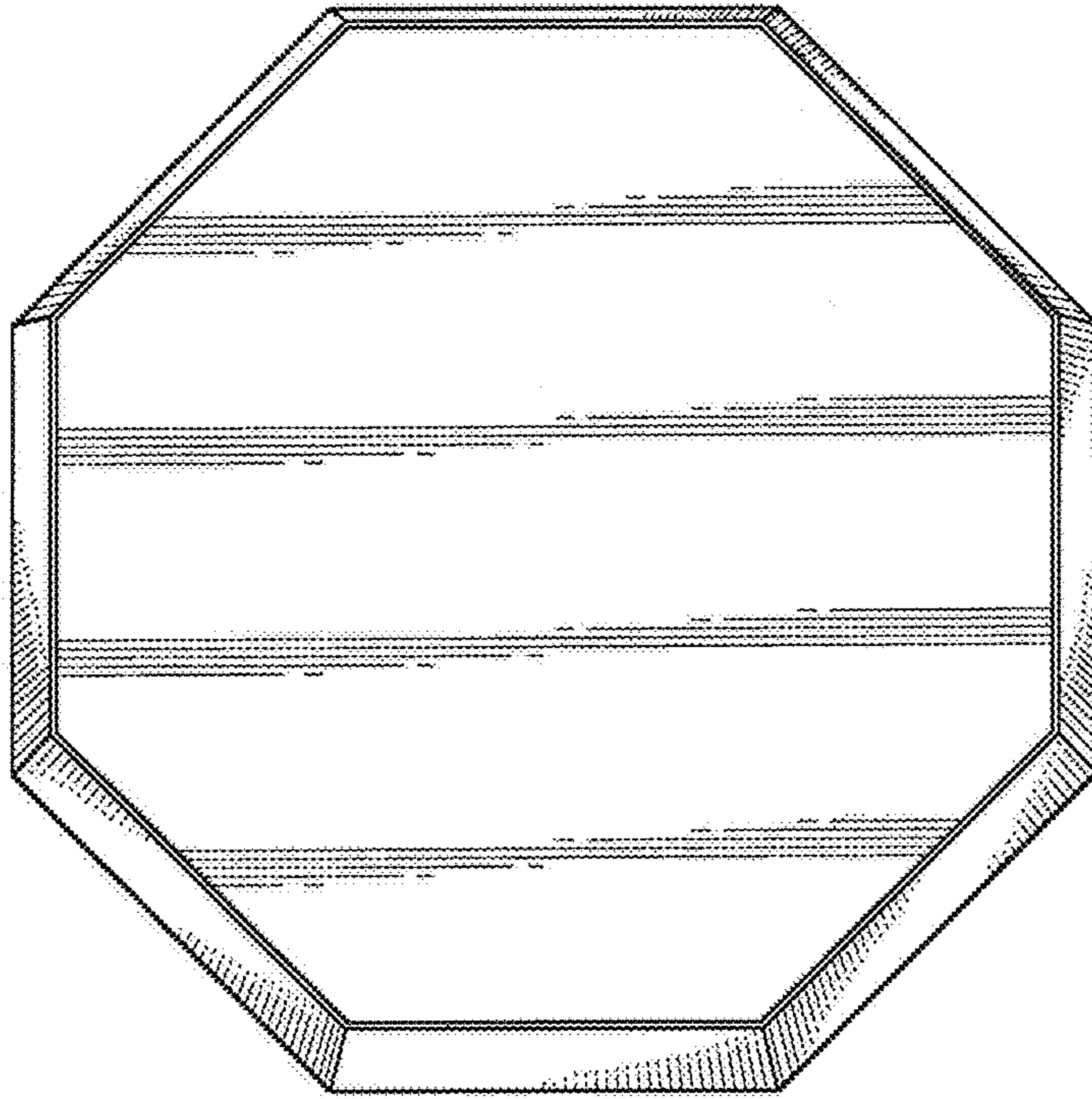


FIG. 3

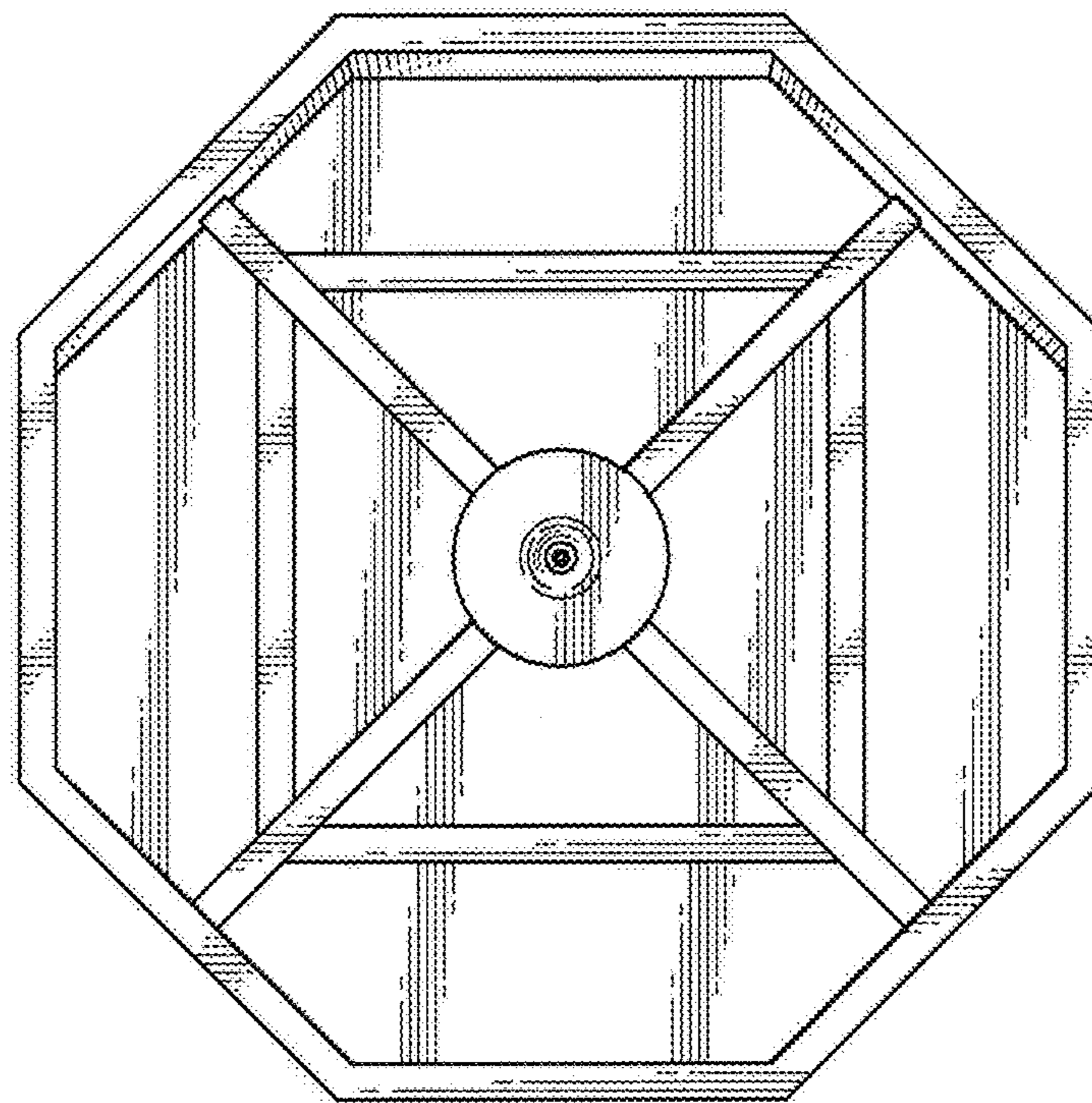


FIG. 4



FIG. 5

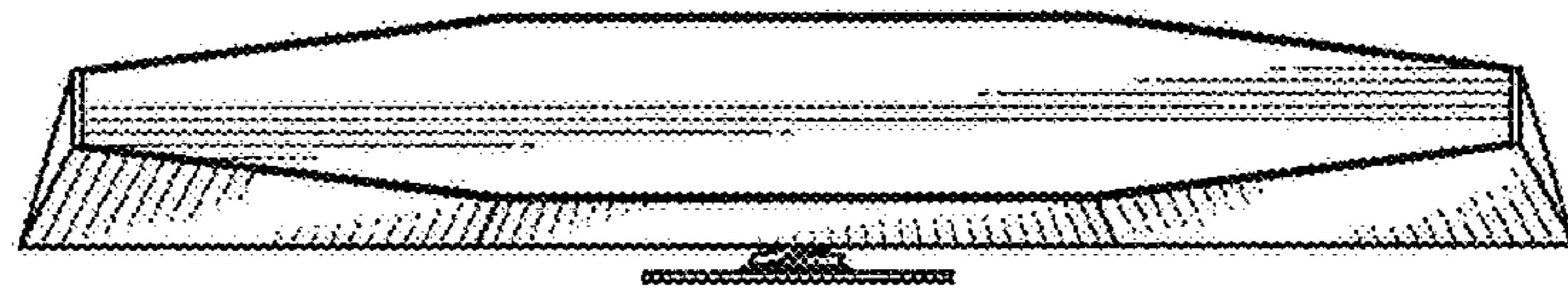


FIG. 6



FIG. 7



FIG. 8