



US00D777863S

(12) **United States Design Patent**
Sullivan

(10) **Patent No.:** **US D777,863 S**
(45) **Date of Patent:** **** Jan. 31, 2017**

(54) **BINDING STRAP MECHANISM**

(71) Applicant: **Daniel Charles Sullivan**, Santa Barbara, CA (US)

(72) Inventor: **Daniel Charles Sullivan**, Santa Barbara, CA (US)

(**) Term: **14 Years**

(21) Appl. No.: **29/519,129**

(22) Filed: **Mar. 2, 2015**

(51) **LOC (10) Cl.** **21-02**

(52) **U.S. Cl.**
USPC **D21/773**

(58) **Field of Classification Search**
USPC D21/760, 761, 765, 766, 801, 803;
441/65-66, 68-69, 72-75, 79; D12/6;
280/11.3, 11.31, 601-606, 609-610, 631,
280/632, 634
CPC A63C 5/04
See application file for complete search history.

(56) **References Cited**

U.S. PATENT DOCUMENTS

D267,443 S *	1/1983	Salas	D3/261
D268,776 S *	4/1983	Beyl	D21/773
D268,945 S *	5/1983	Beyl	D21/773
4,457,534 A *	7/1984	Richert	A63C 9/0846 280/631
4,466,634 A *	8/1984	Knabel	A63C 9/0847 280/632
4,485,536 A *	12/1984	Klubitschko	A63C 7/1013 280/605
4,489,956 A *	12/1984	Jungkind	A63C 9/0842 280/632

(Continued)

Primary Examiner — Zenia Bennett

(74) *Attorney, Agent, or Firm* — Kevin H. Fortin

(57) **CLAIM**

The ornamental design for the binding strap mechanism, as shown and described.

DESCRIPTION

FIG. 1 is a perspective view of a snowboard showing a pair of binding strap mechanism in accordance with the present invention.

FIG. 2 is an enlarged perspective view of the binding strap mechanism of FIG. 1 on an open binding.

FIG. 3 is an enlarged perspective view of the binding strap mechanism of FIG. 1 on a closed binding.

FIG. 4 is a side view of the binding strap mechanism of FIG. 2.

FIG. 5a is a perspective view of an binding strap mechanism.

FIG. 5b is a front view of the binding strap mechanism of FIG. 5a.

FIG. 5c is a side view of the binding strap mechanism of FIG. 5a.

FIG. 5d is a top view of the binding strap mechanism of FIG. 5a.

FIG. 6a is a perspective view of an binding strap mechanism.

FIG. 6b is a front view of the binding strap mechanism of FIG. 6a.

FIG. 6c is a side view of the binding strap mechanism of FIG. 6a.

FIG. 6d is a top view of the binding strap mechanism of FIG. 6a.

FIG. 7a is a perspective view of the binding strap mechanism.

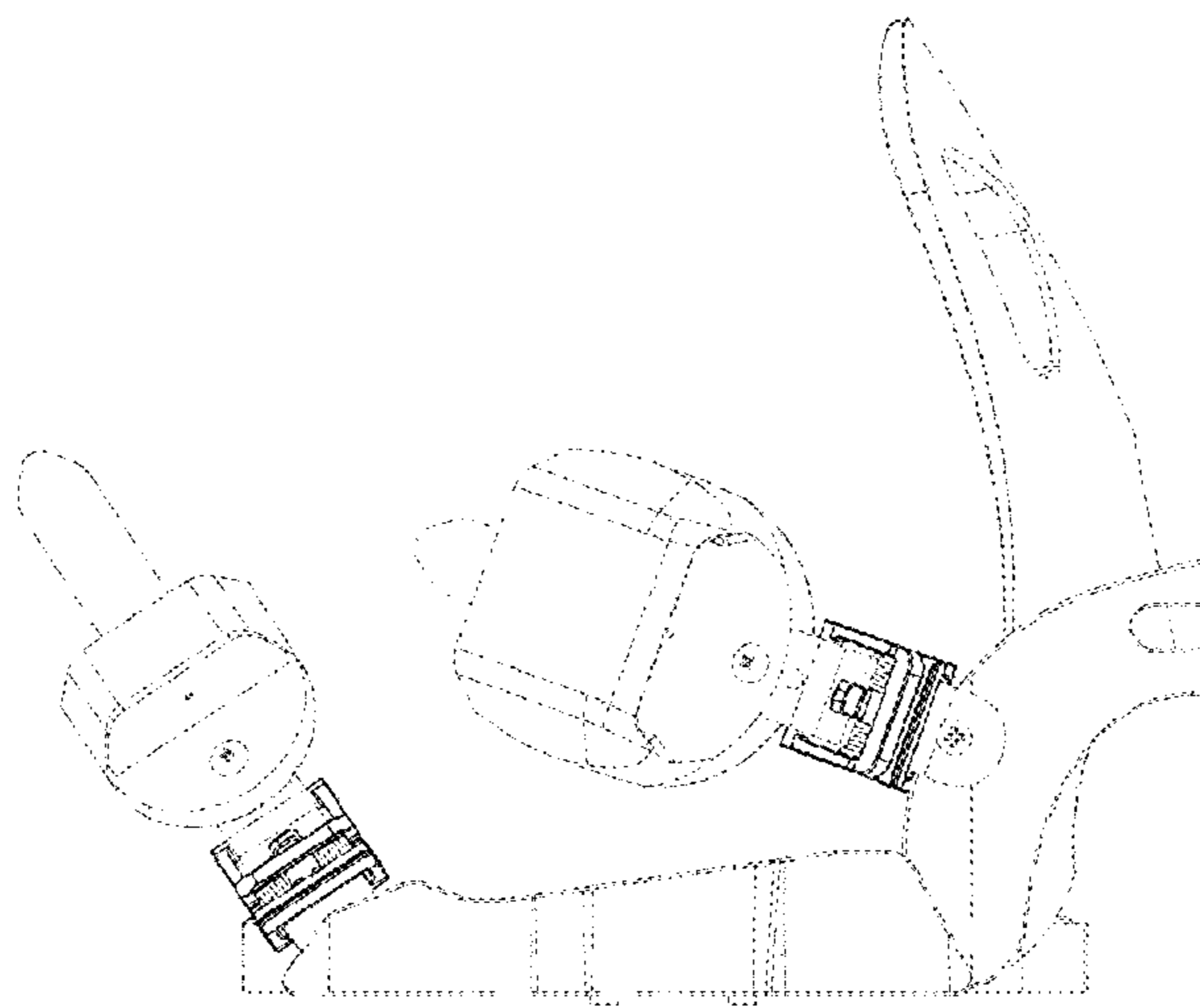
FIG. 7b is a front view of the binding strap mechanism of FIG. 7a.

FIG. 7c is a side view of the binding strap mechanism of FIG. 7a; and,

FIG. 7d is a top view of the binding strap mechanism of FIG. 7a.

The broken lines in the drawing depicting the snowboard and bindings are for illustrative purposes only and form no part of the claimed design.

1 Claim, 16 Drawing Sheets



(56)

References Cited

U.S. PATENT DOCUMENTS

4,624,473 A * 11/1986 Knabel A63C 9/0802
280/612
4,693,489 A * 9/1987 Stepanek A63C 9/0842
280/628
4,795,185 A * 1/1989 Hornschemeyer ... A63C 9/0847
280/632
D352,083 S * 11/1994 Kasten D21/773

* cited by examiner

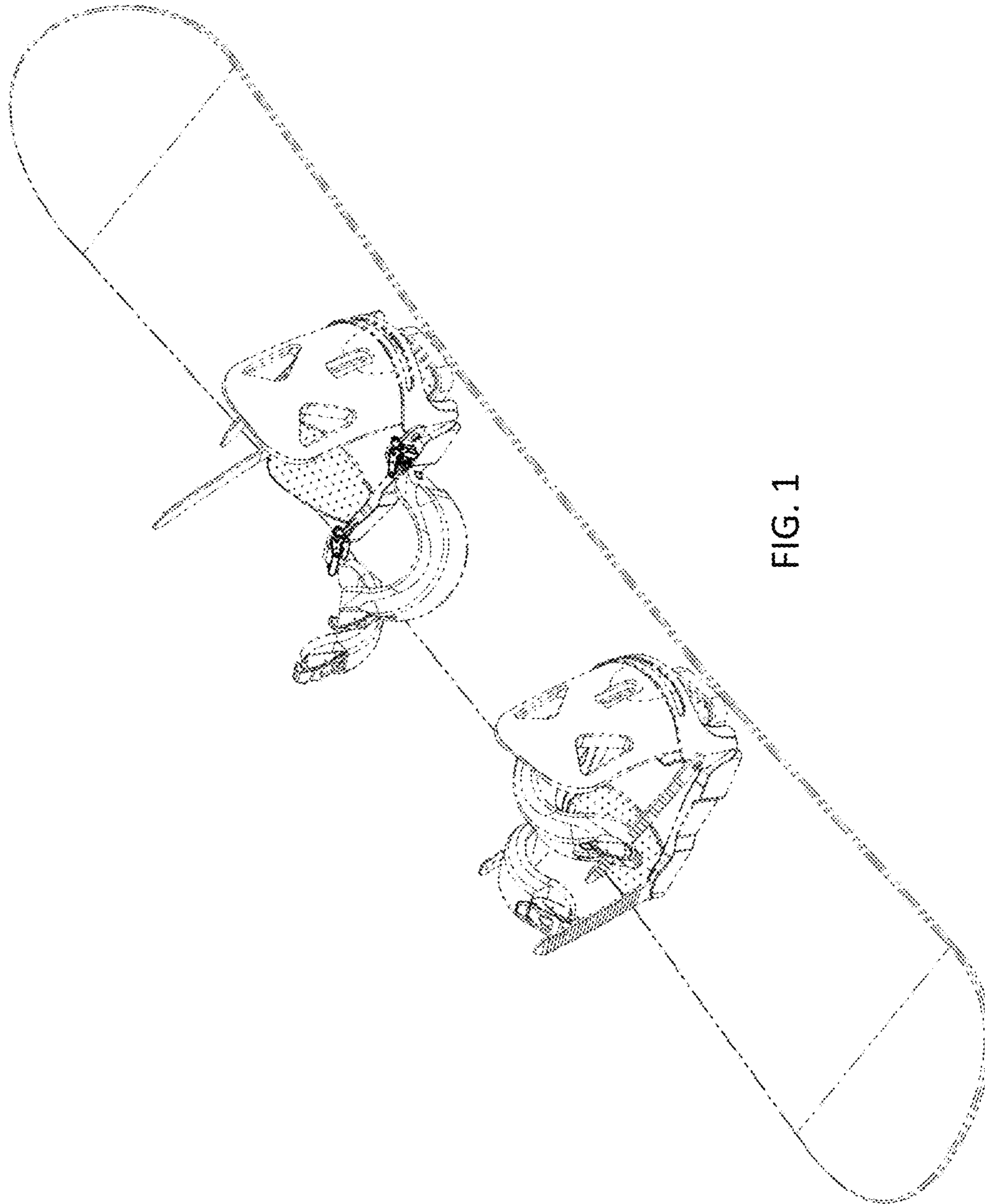


FIG. 1

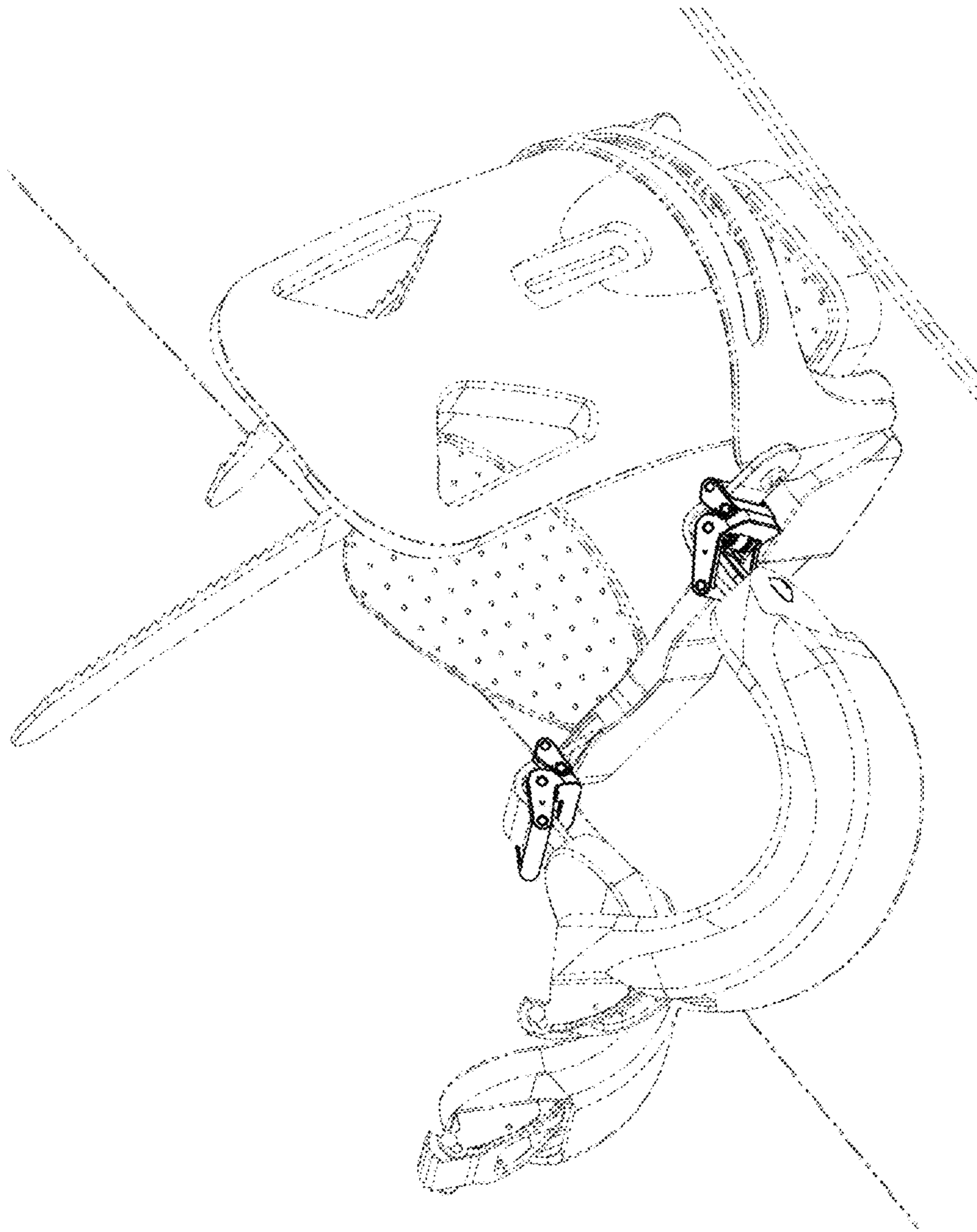


FIG. 2

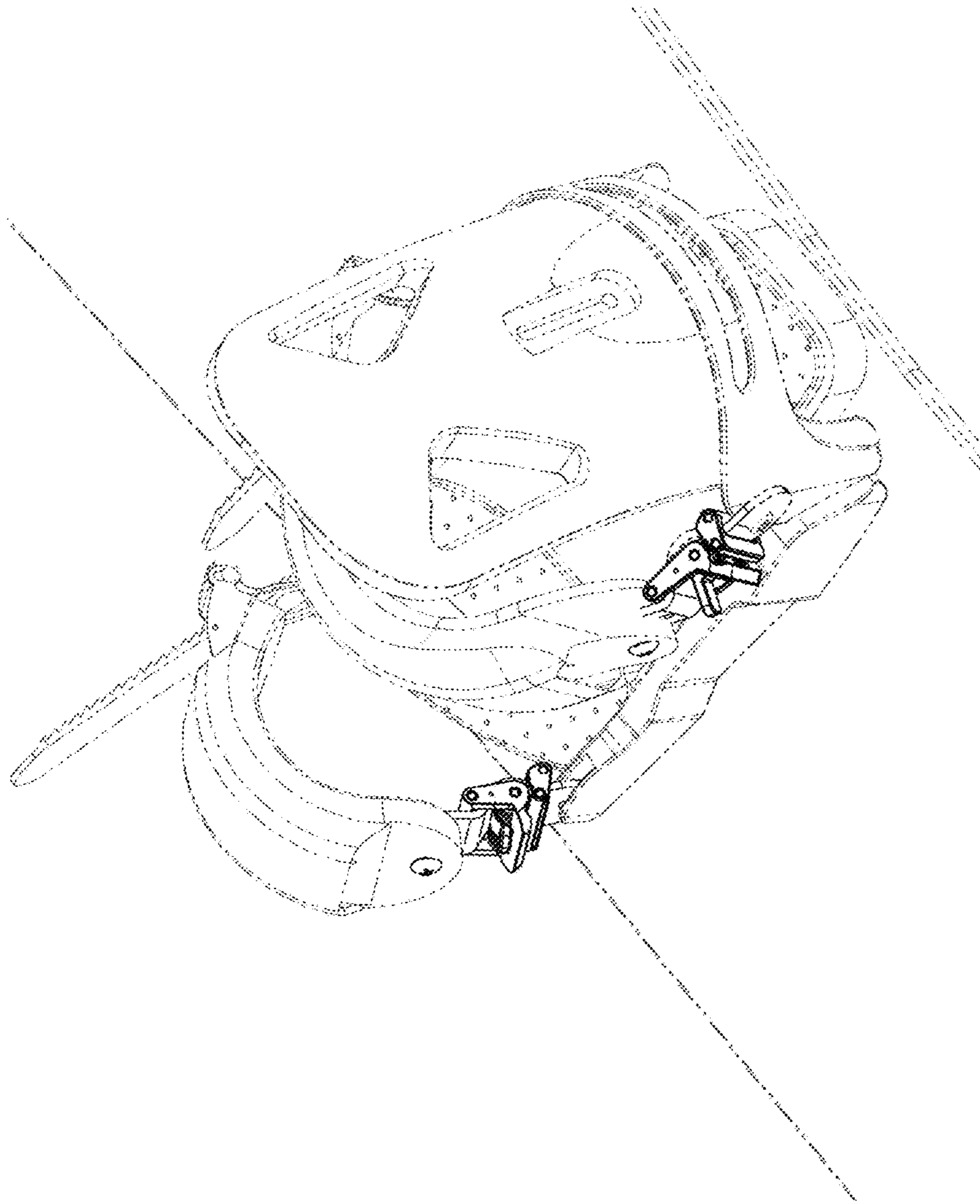


FIG. 3

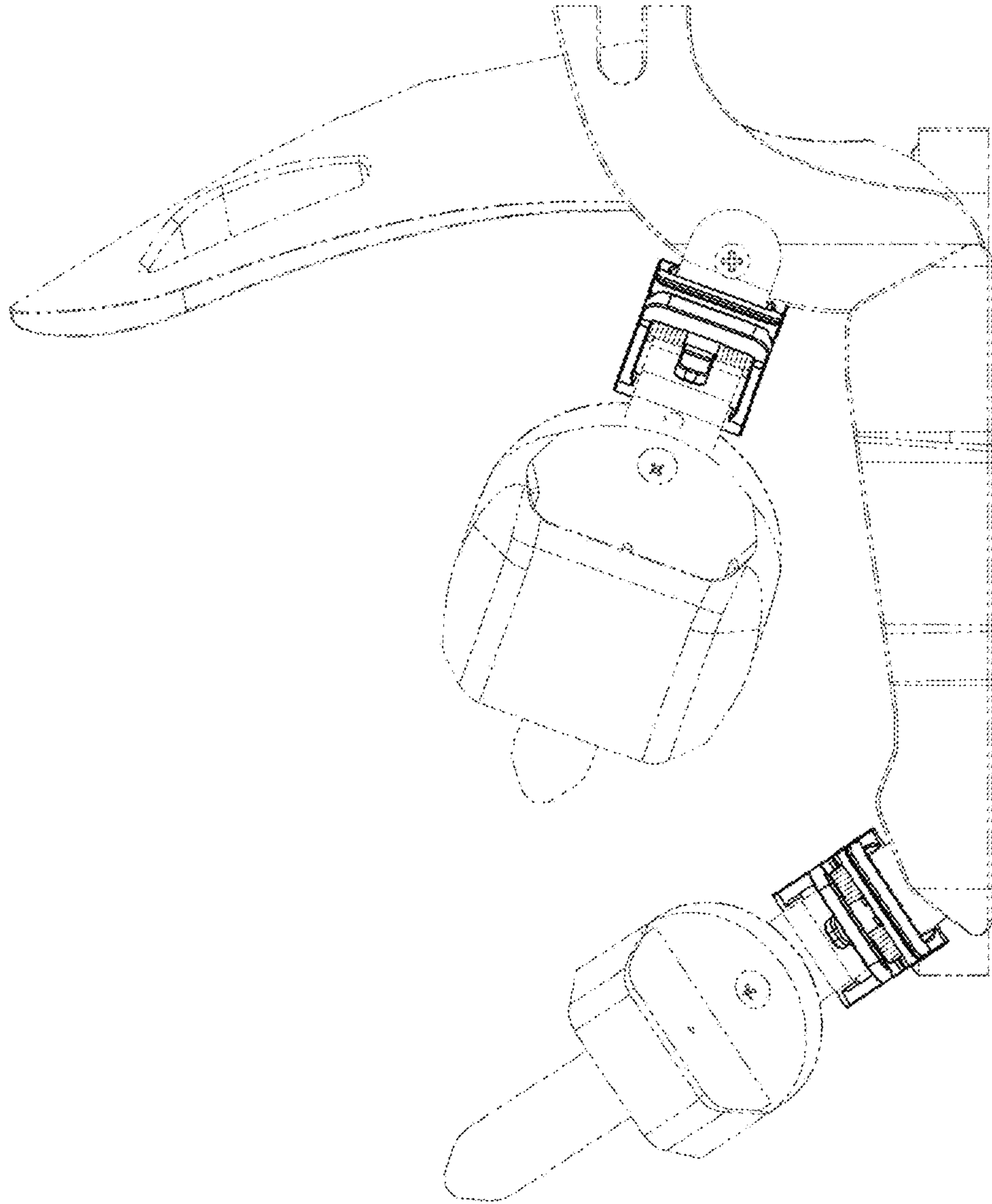


FIG. 4

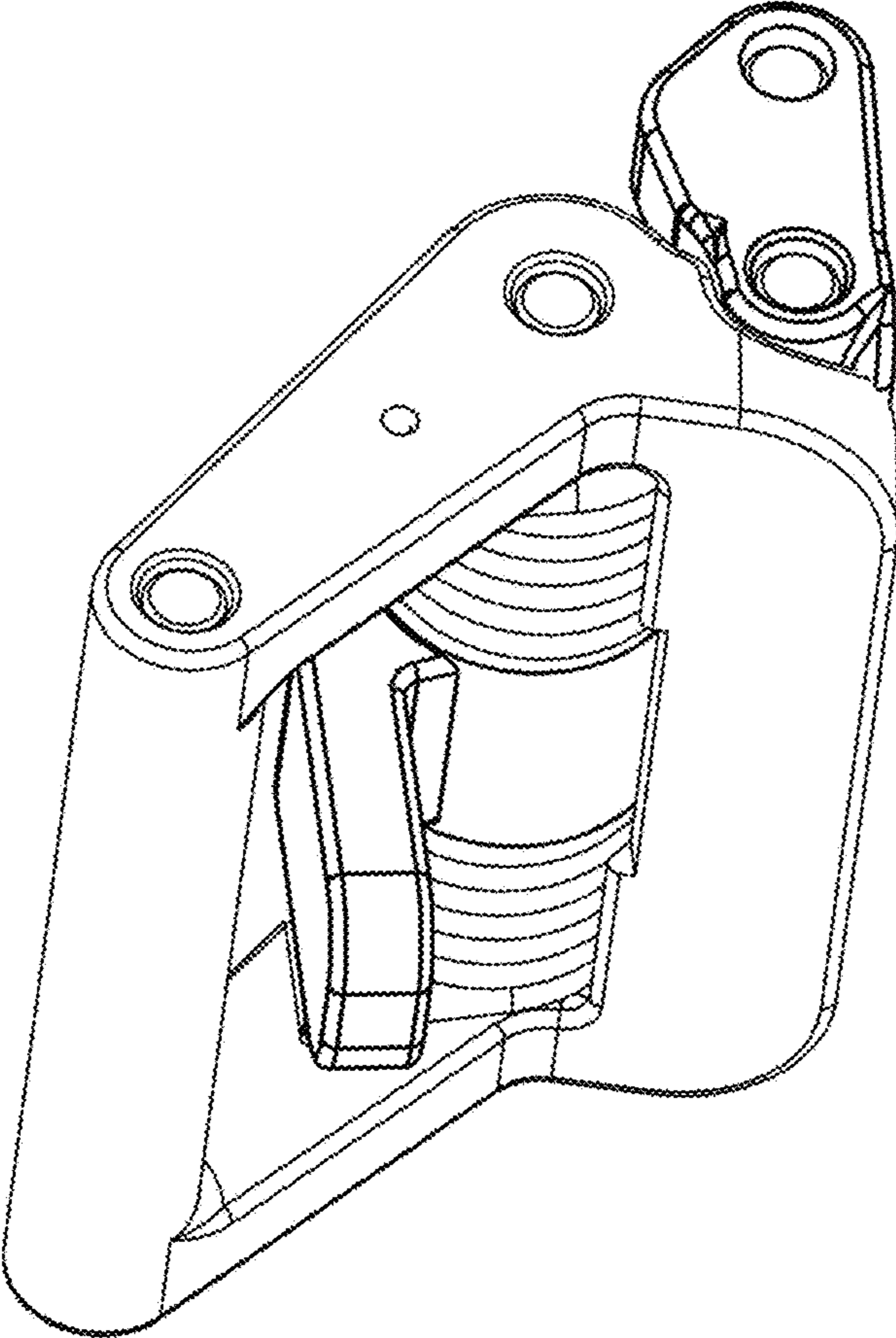


FIG. 5a

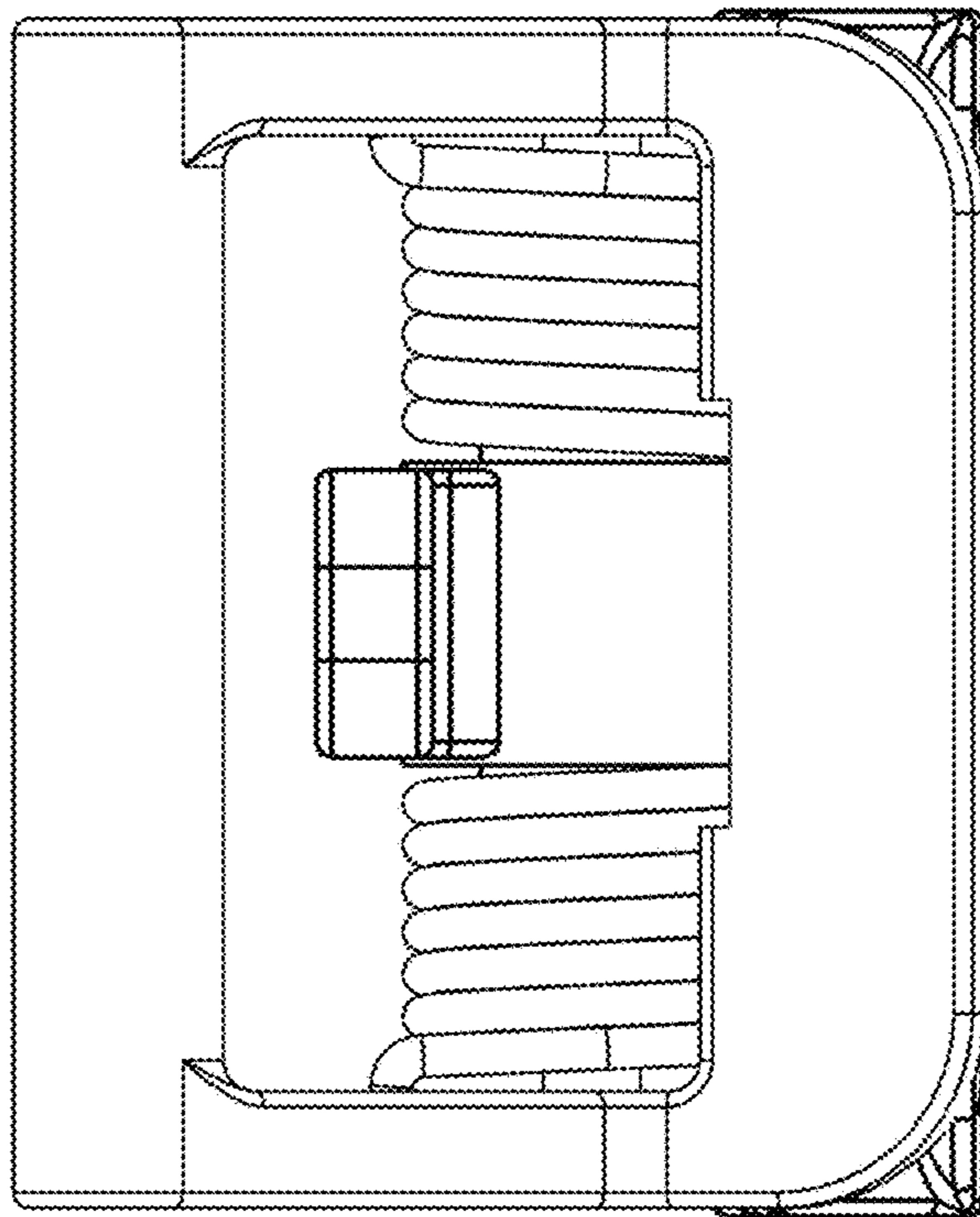


FIG. 5b

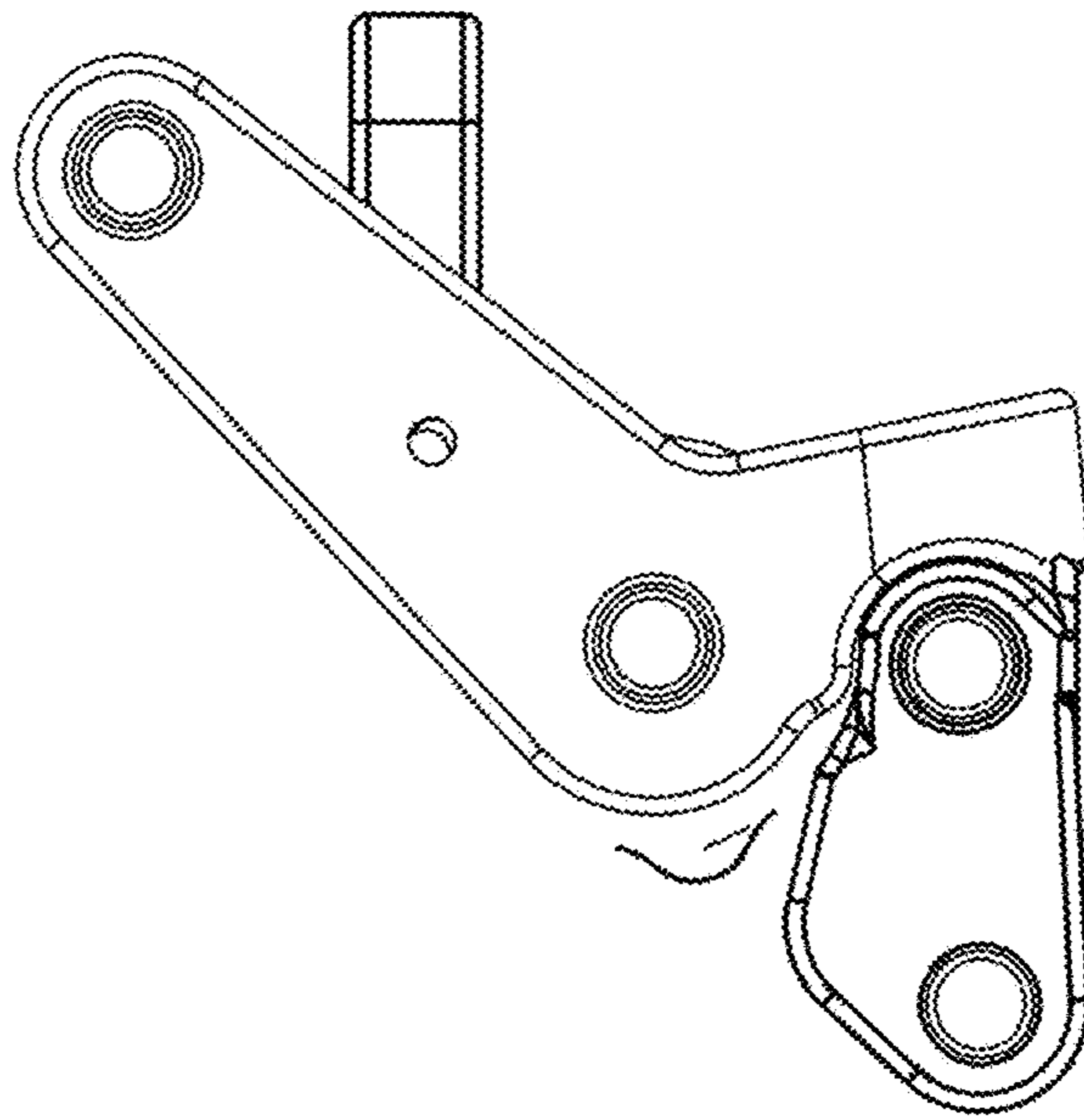


FIG. 5C

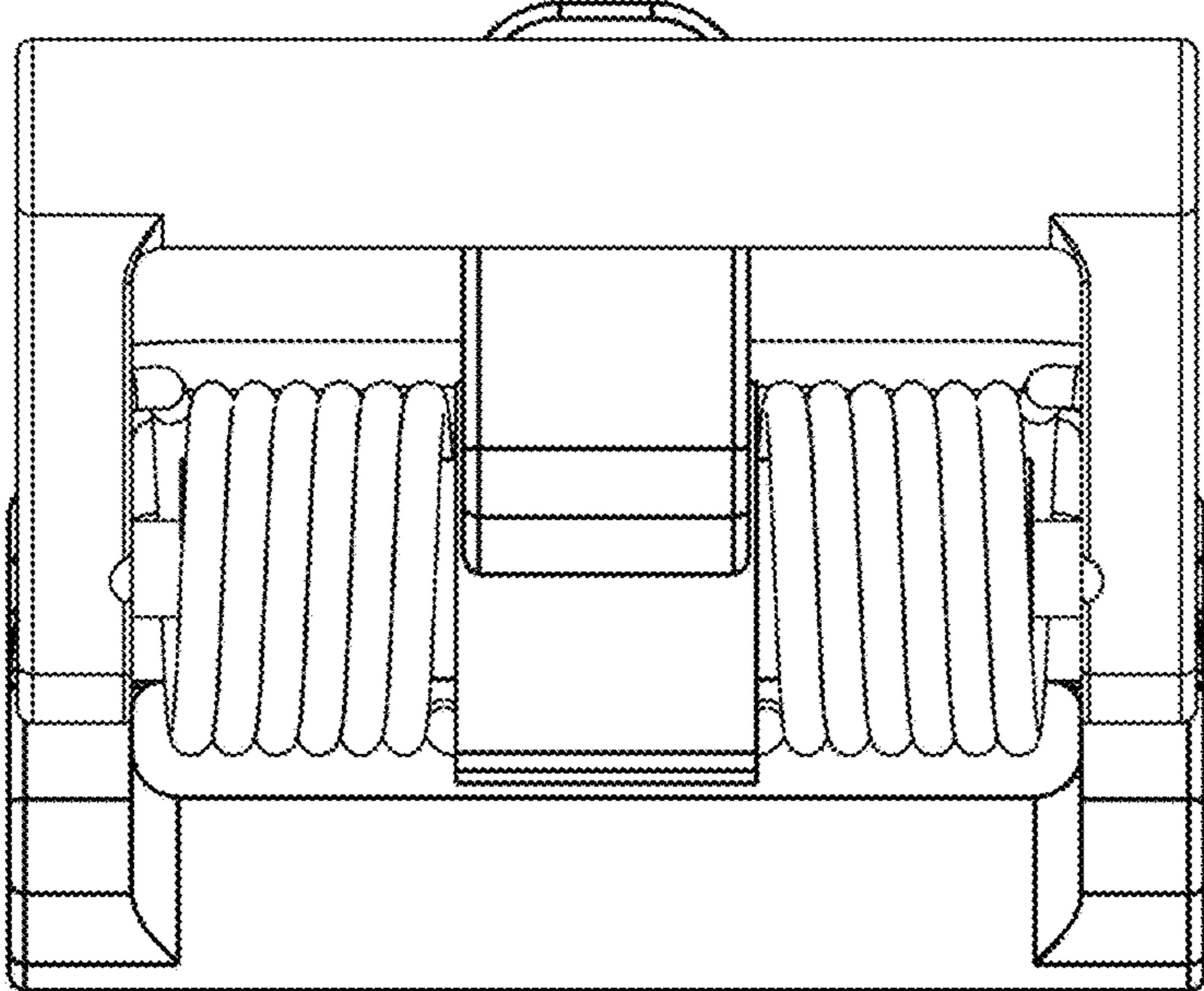


FIG. 5d

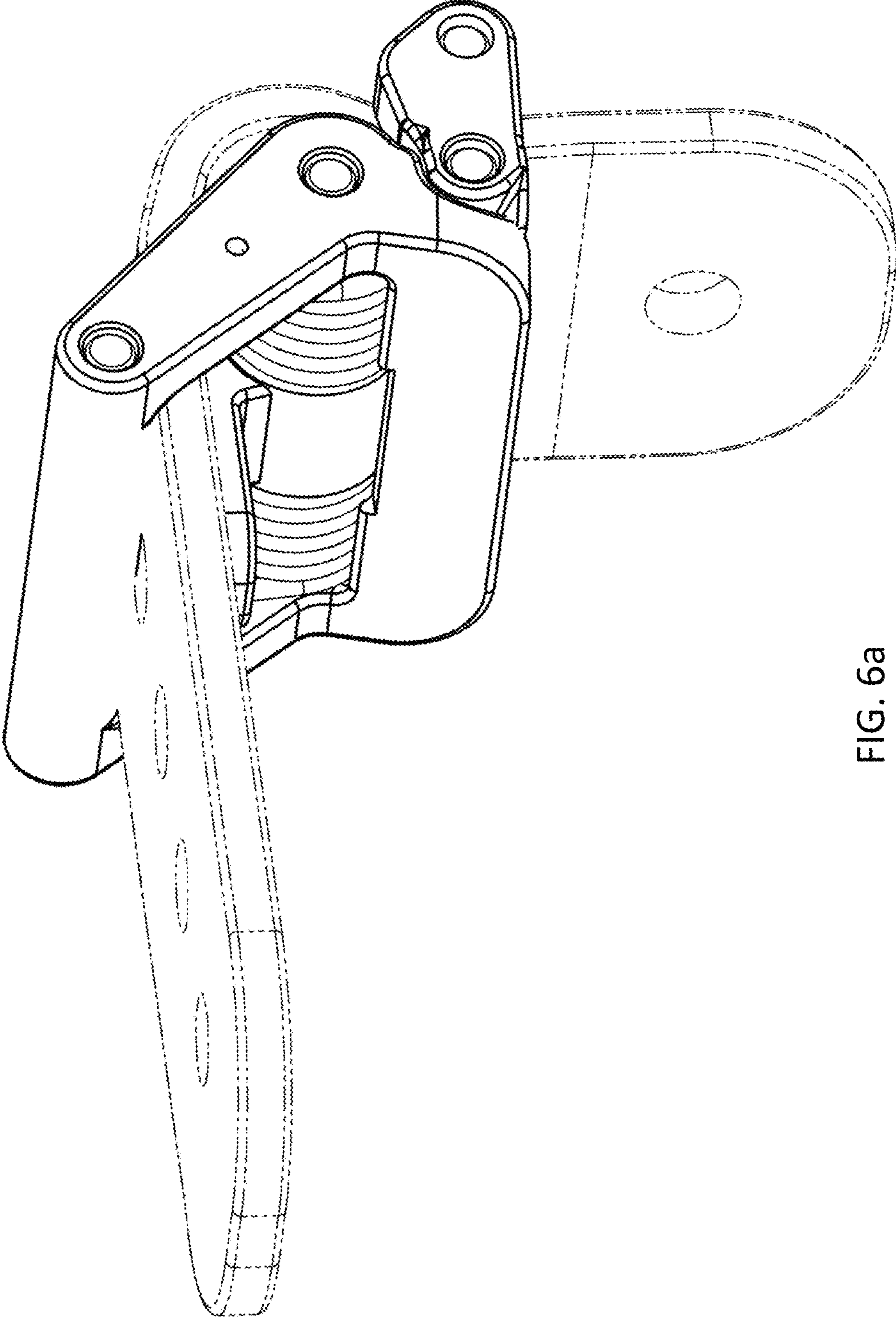


FIG. 6a

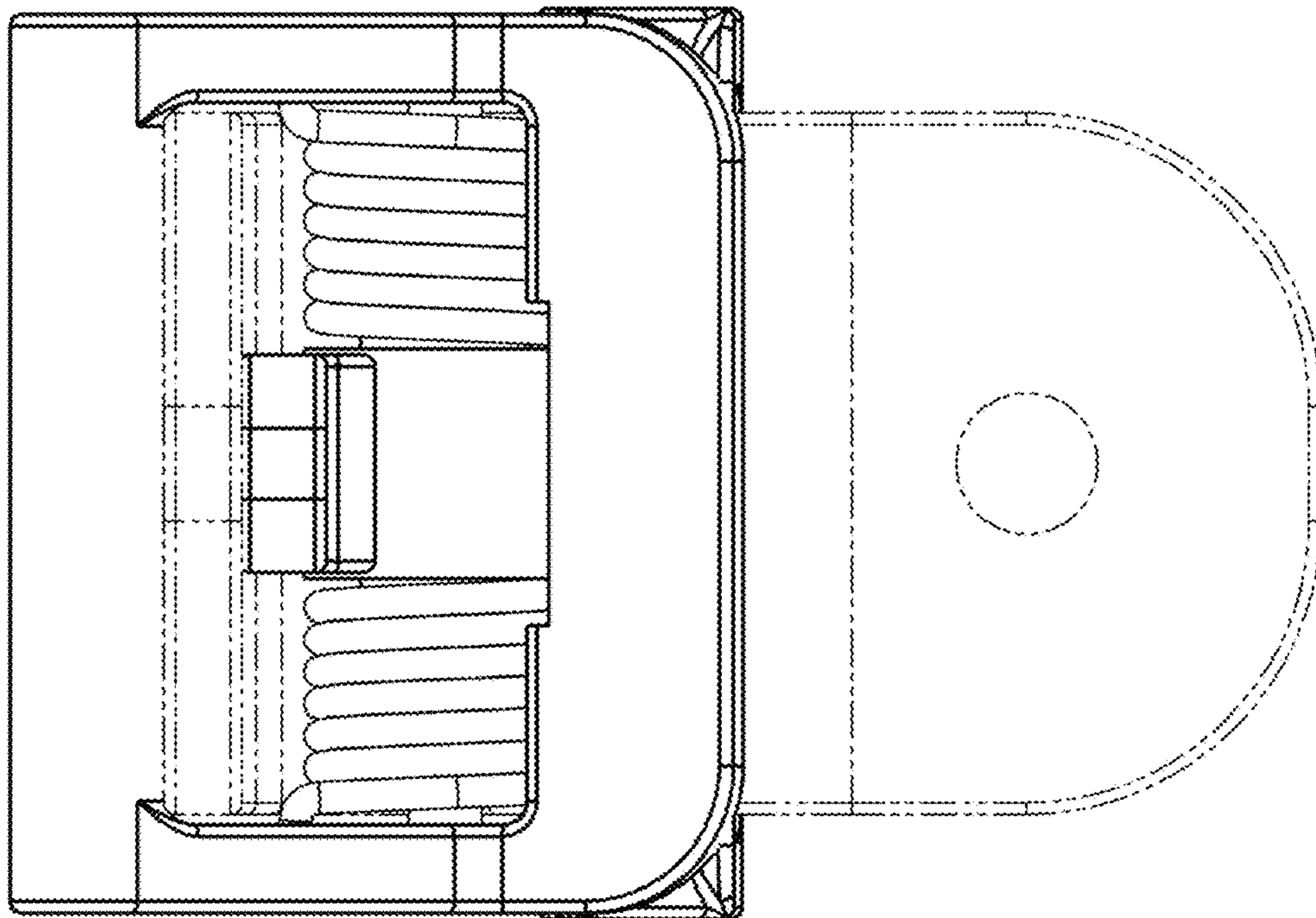


FIG. 6b

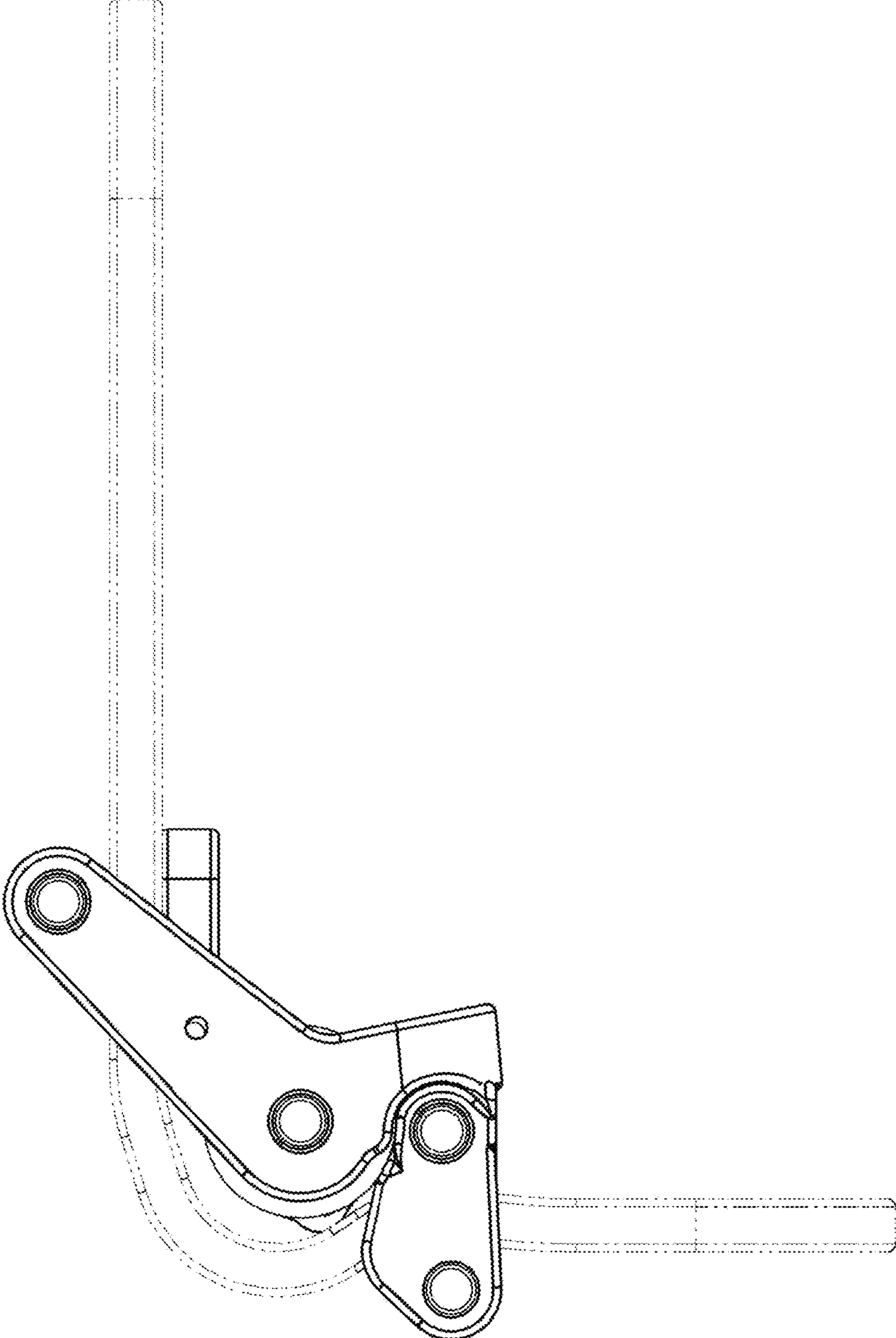


FIG. 6c

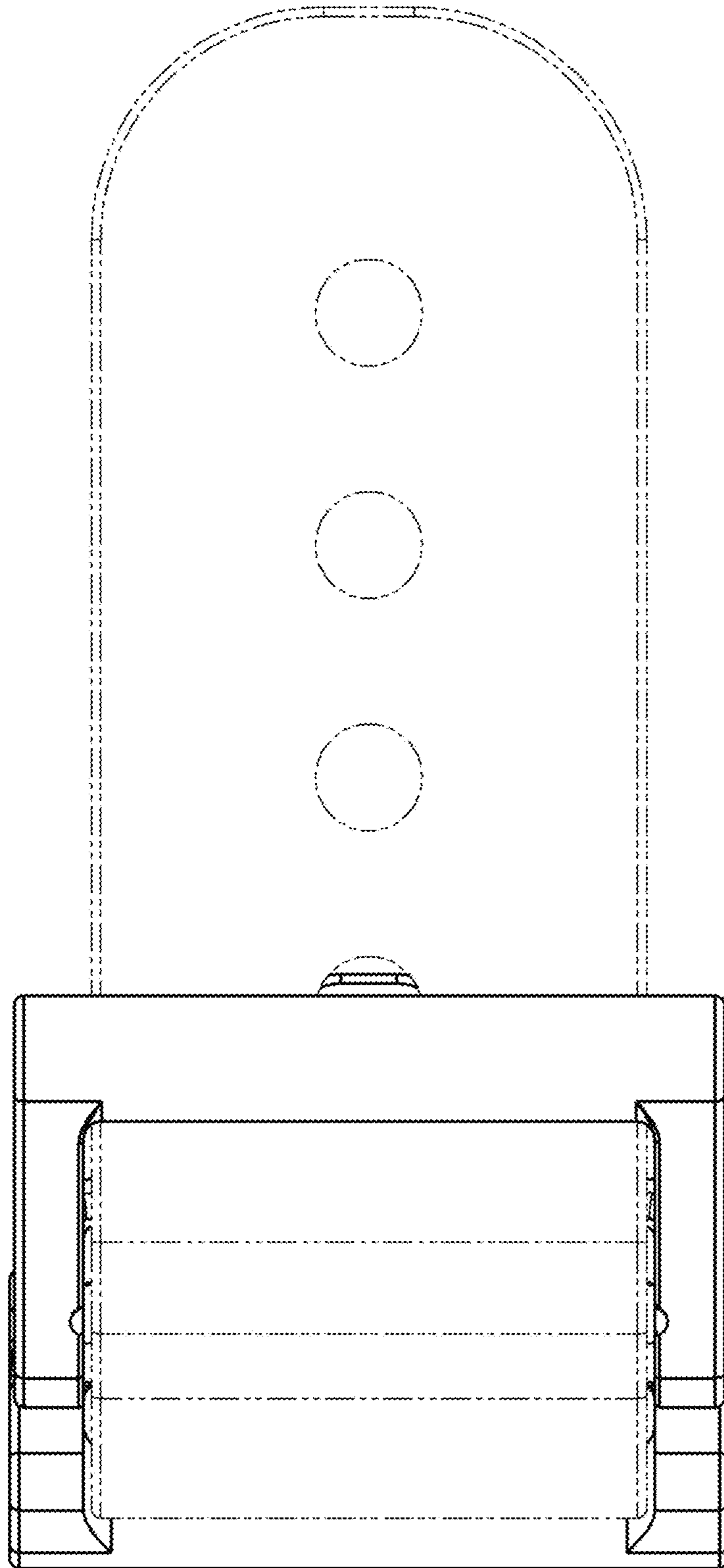


FIG. 6d

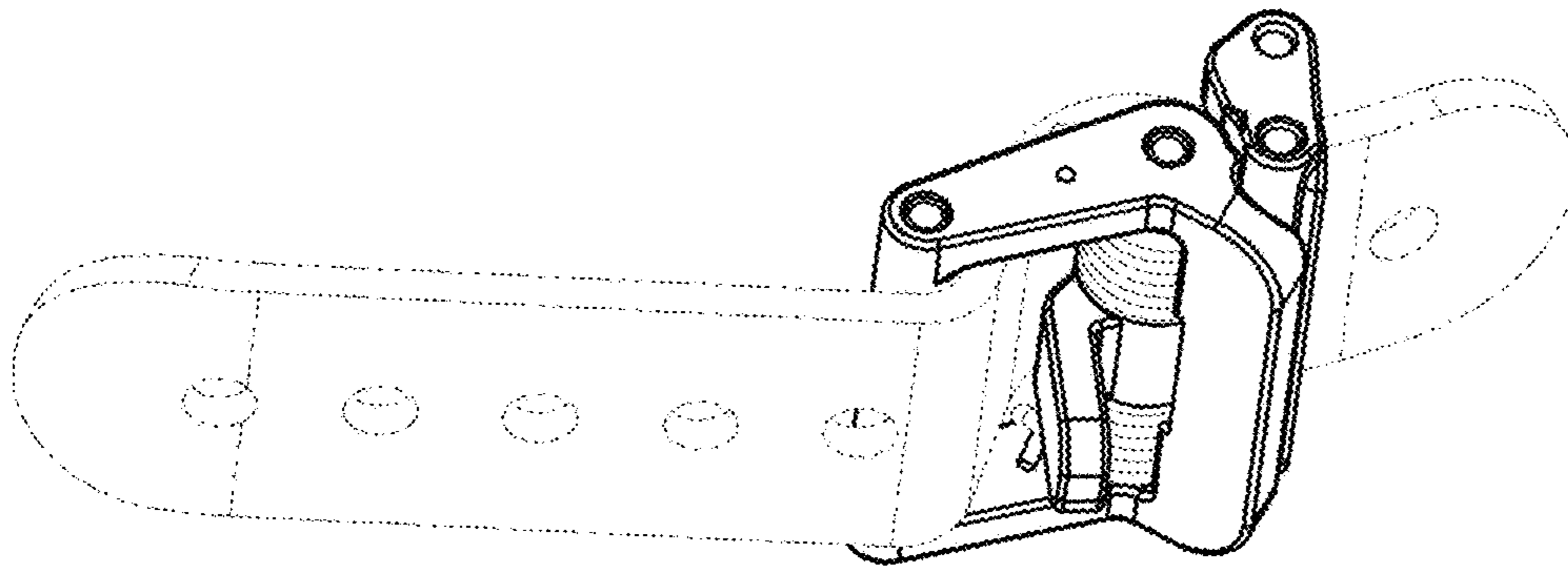


FIG. 7a

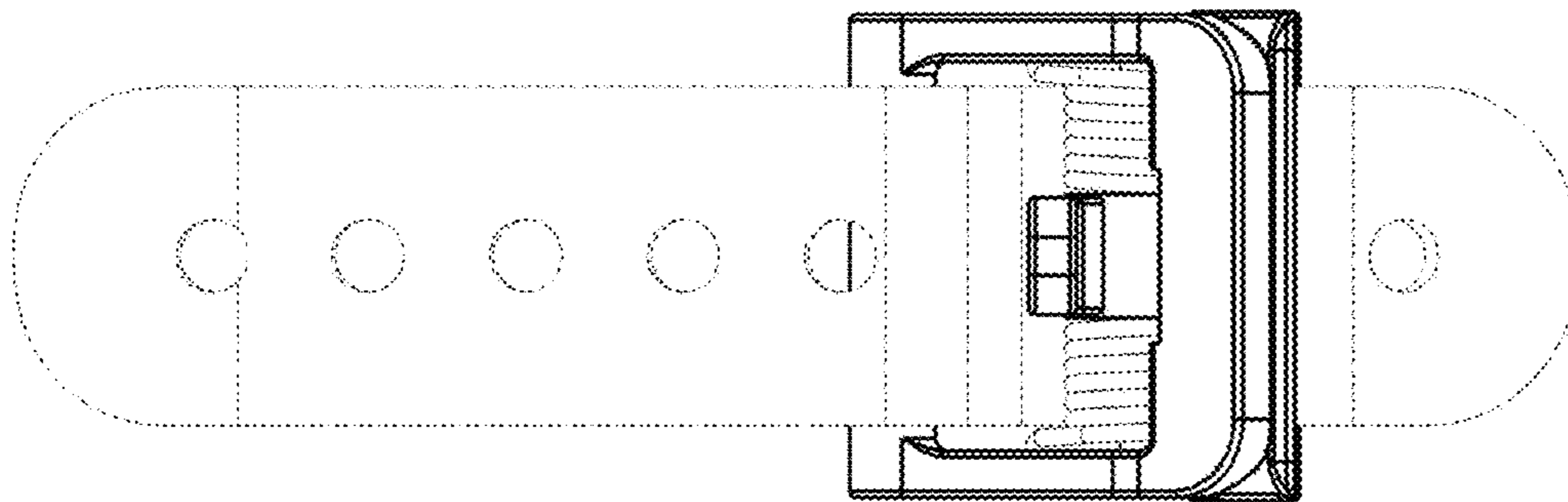


FIG. 7b

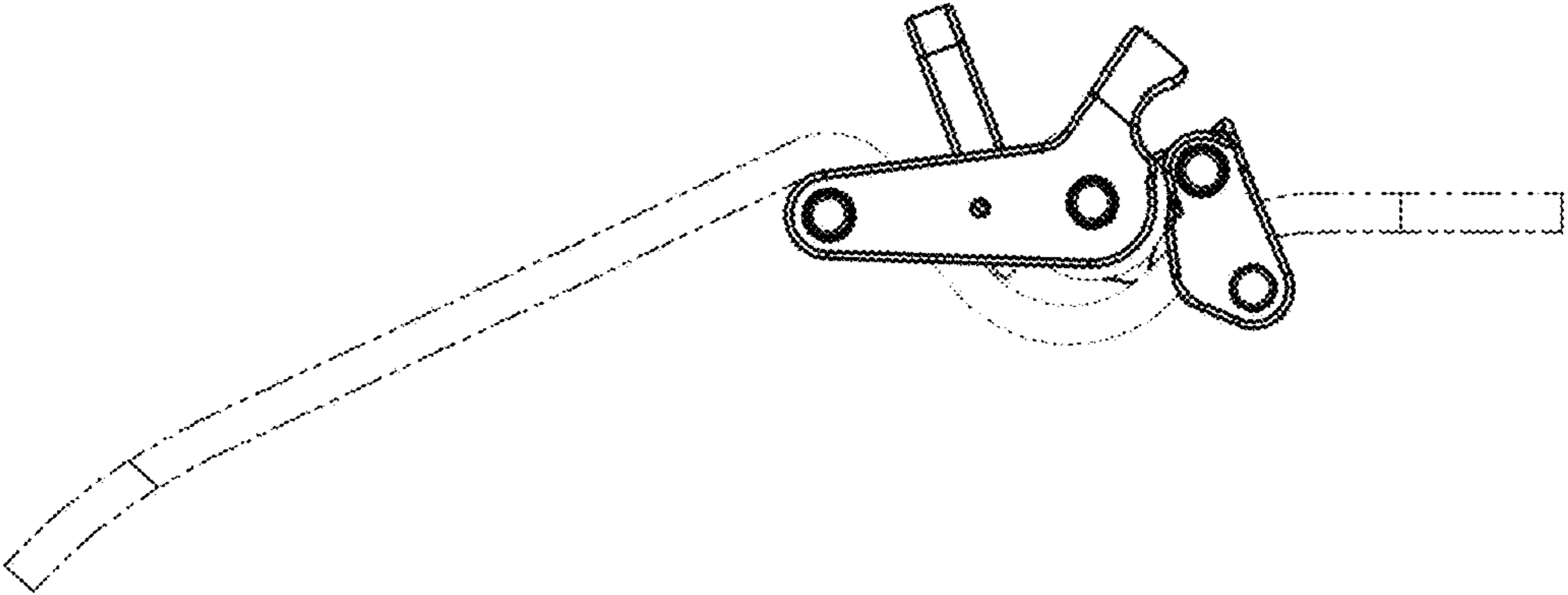


FIG. 7c

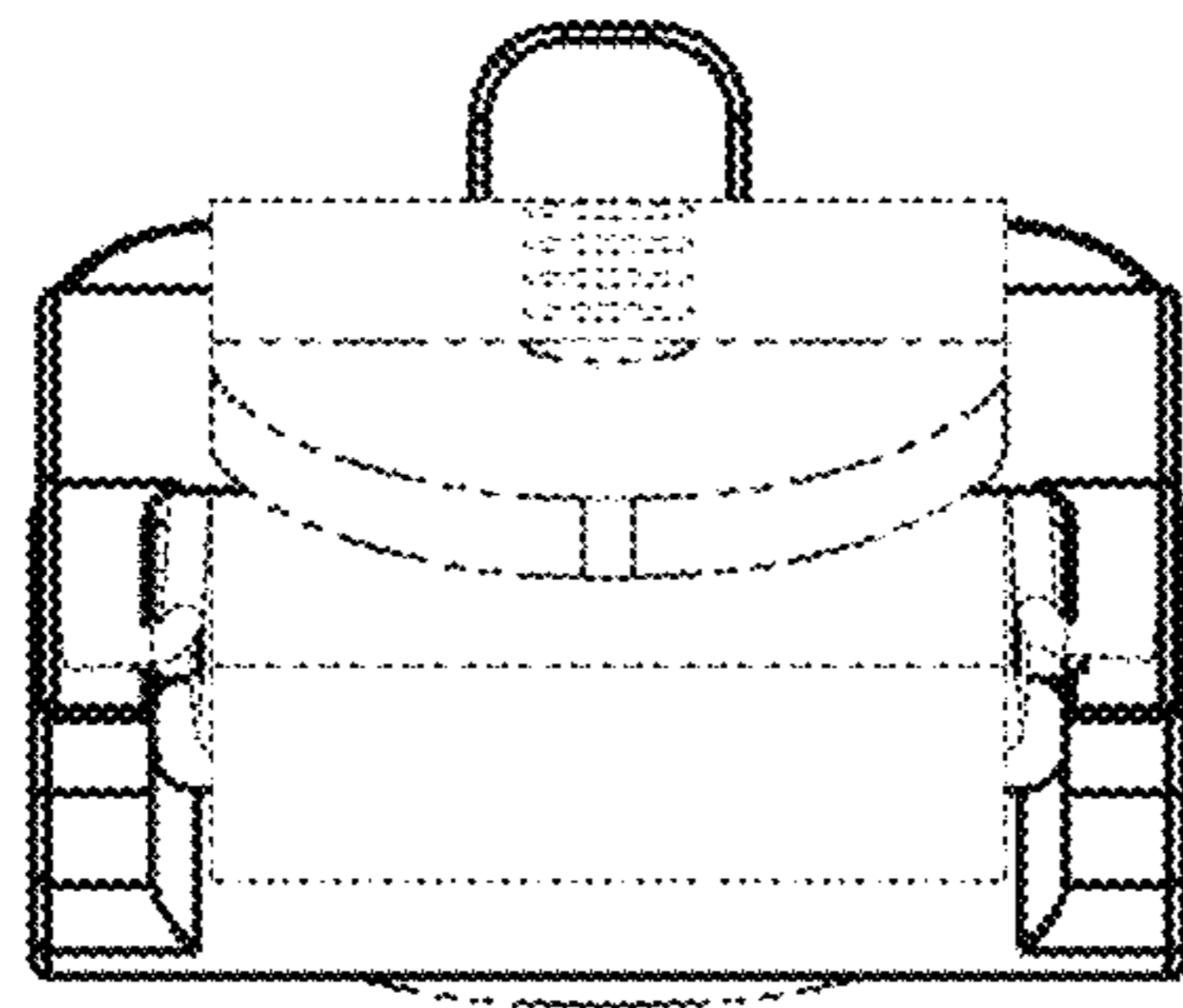


FIG. 7d