



US00D777857S

(12) **United States Design Patent**
Jertson et al.

(10) **Patent No.:** **US D777,857 S**
(45) **Date of Patent:** **** Jan. 31, 2017**

- (54) **GOLF CLUB HEAD**
- (71) Applicant: **Karsten Manufacturing Corporation**,
Phoenix, AZ (US)
- (72) Inventors: **Martin Jertson**, Phoenix, AZ (US);
Xiaojian Chen, Phoenix, AZ (US);
Daniel Lee, Phoenix, AZ (US)
- (73) Assignee: **Karsten Manufacturing Corporation**,
Phoenix, AZ (US)

- D558,287 S 12/2007 Jertson
- D558,288 S 12/2007 Jertson
- D562,421 S 2/2008 Jertson
- D563,498 S 3/2008 Jertson
- D564,054 S 3/2008 Jertson
- D564,055 S 3/2008 Jertson
- D564,056 S 3/2008 Chen
- D566,214 S 4/2008 Evans
- D567,317 S 4/2008 Jertson
- D567,891 S 4/2008 Serrano
- D569,933 S 5/2008 Jertson

(Continued)

(**) Term: **15 Years**

(21) Appl. No.: **29/540,204**

(22) Filed: **Sep. 22, 2015**

(51) **LOC (10) Cl.** **21-02**

(52) **U.S. Cl.**
USPC **D21/752**

(58) **Field of Classification Search**
USPC D21/759, 752
CPC A63B 53/04; A63B 53/0466; A63B
2053/002; A63B 2053/0445; A63B
2053/0433; A63B 2053/0437; A63B
2053/0491

See application file for complete search history.

(56) **References Cited**

U.S. PATENT DOCUMENTS

- D482,419 S * 11/2003 Burrows D21/752
- D486,542 S * 2/2004 Burrows D21/752
- D490,870 S * 6/2004 Burrows D21/752
- D508,275 S * 8/2005 Burrows D21/752
- D553,206 S 10/2007 Morales
- D557,362 S * 12/2007 Serrano D21/752
- D557,363 S 12/2007 Jertson

FOREIGN PATENT DOCUMENTS

- JP 1334538 6/2008
- JP 1368763 9/2009

Primary Examiner — Mitchell Siegel

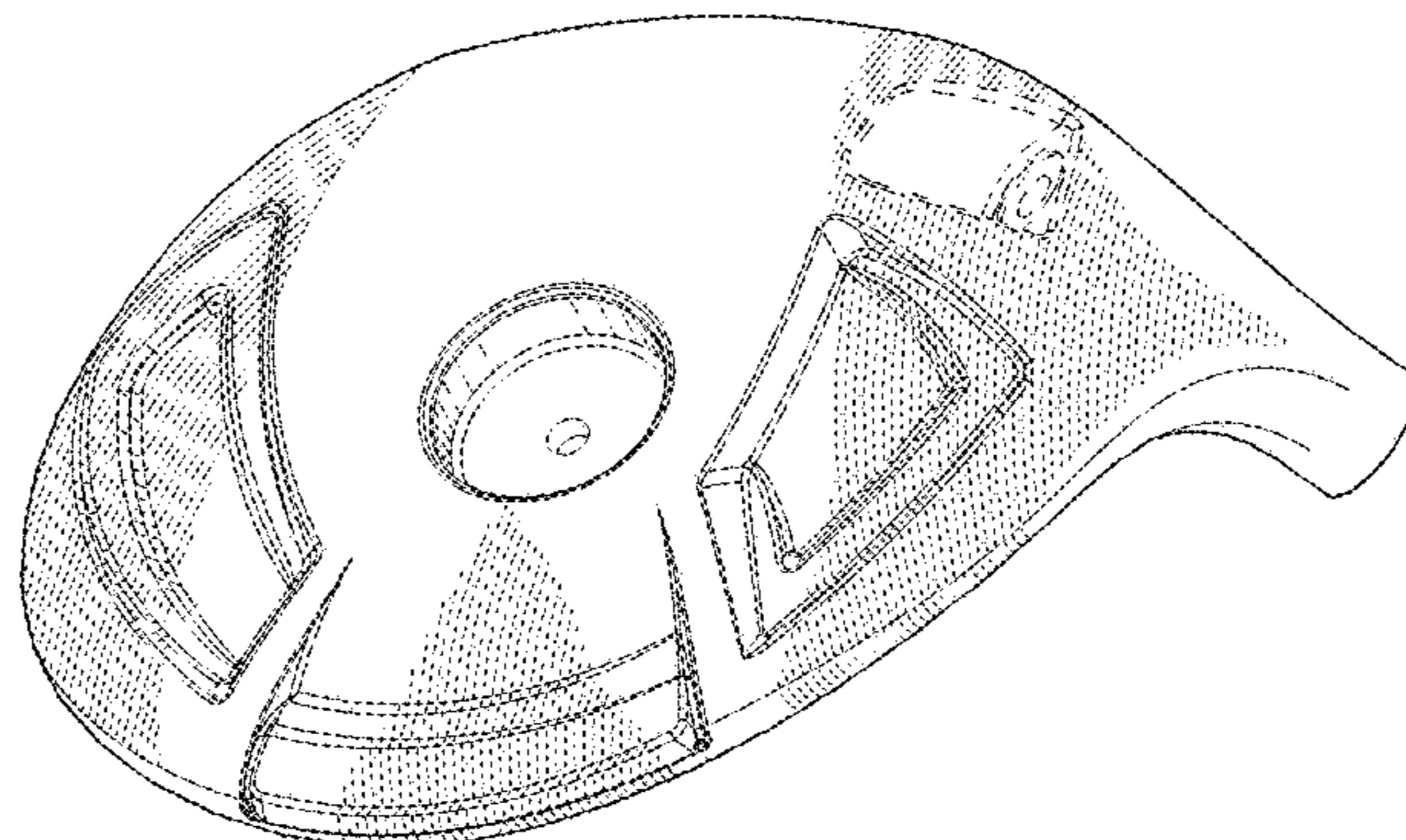
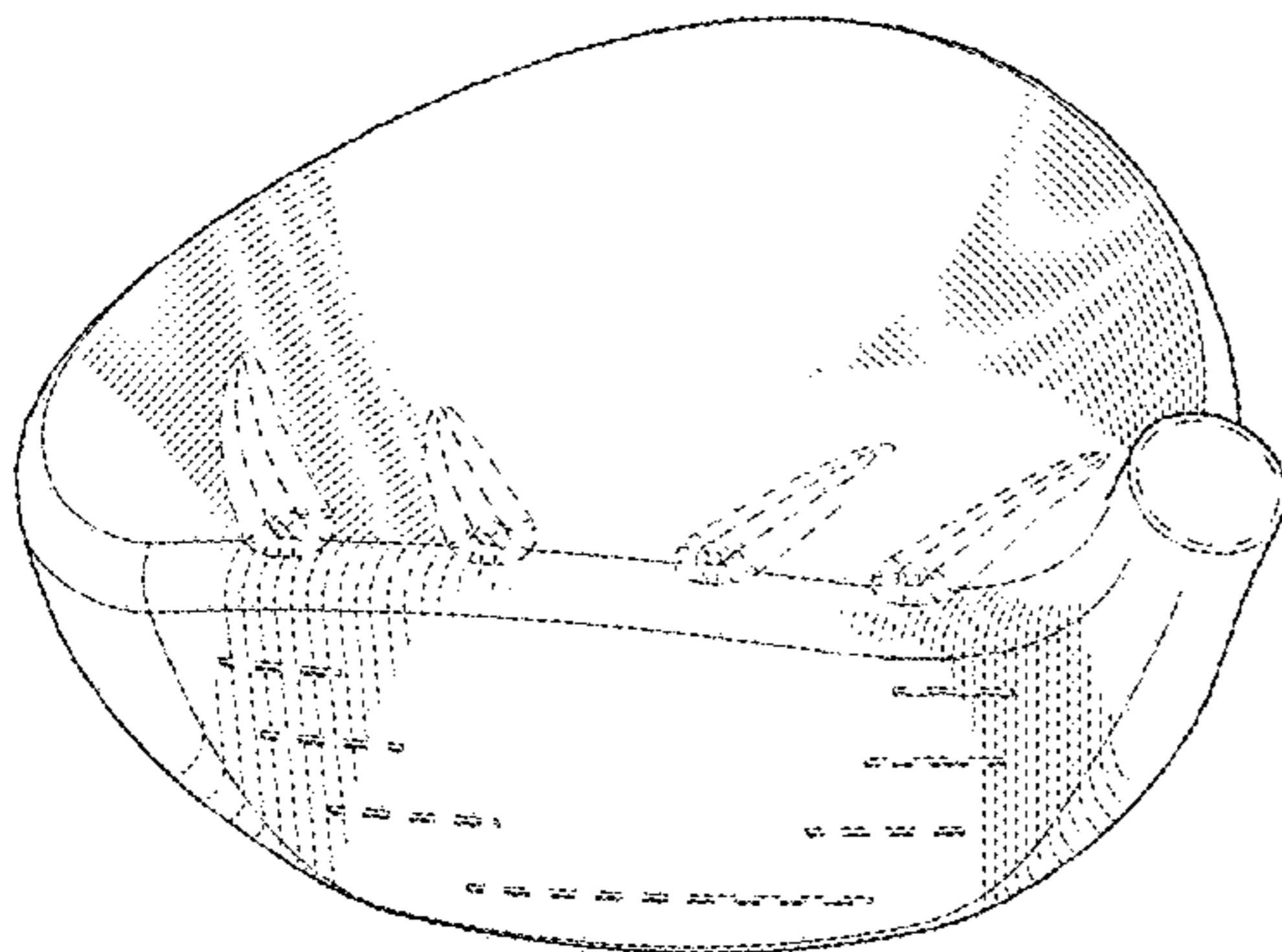
(57) **CLAIM**

The ornamental design for a golf club head, as shown and described.

DESCRIPTION

FIG. 1 is a top perspective view of a golf club head;
 FIG. 2 is a bottom perspective view of the golf club head of FIG. 1;
 FIG. 3 is a front view of the golf club head of FIG. 1;
 FIG. 4 is a rear view of the golf club head of FIG. 1;
 FIG. 5 is a top view of the golf club head of FIG. 1;
 FIG. 6 is a bottom view of the golf club head of FIG. 1;
 FIG. 7 is a left view of the golf club head of FIG. 1; and,
 FIG. 8 is a right view of the golf club head of FIG. 1.
 The broken lines shown in one or more of the figures are for illustrative purposes only and form no part of the claimed design.

1 Claim, 4 Drawing Sheets



(56)

References Cited

U.S. PATENT DOCUMENTS

D569,934 S	5/2008	Jertson		
D569,935 S	5/2008	Schweigert		
D569,936 S	5/2008	Schweigert		
D569,937 S	5/2008	Sanchez		
D569,938 S	5/2008	Sanchez		
D570,937 S	6/2008	Schweigert		
D570,938 S	6/2008	Jertson		
D570,939 S	6/2008	Chen		
D570,940 S	6/2008	Chen		
D570,941 S	6/2008	Chen		
D571,882 S	6/2008	Soracco		
D572,324 S	7/2008	Chen		
D572,782 S	7/2008	Sanchez		
D572,783 S	7/2008	Sanchez		
D572,784 S	7/2008	Sanchez		
D572,785 S	7/2008	Chen		
D572,787 S	7/2008	Sanchez		
D572,791 S	7/2008	Jertson		
D573,213 S	7/2008	Sanchez		
D573,214 S	7/2008	Sanchez		
D573,215 S	7/2008	Sanchez		
D573,216 S	7/2008	Sanchez		
D573,217 S	7/2008	Sanchez		
D573,218 S	7/2008	Sanchez		
D573,674 S	7/2008	Sanchez		
D573,675 S	7/2008	Sanchez		
D573,676 S	7/2008	Chen		
D573,678 S	7/2008	Kawami		
D574,046 S	7/2008	Chen		
D574,048 S	7/2008	Kadoya		
D574,049 S	7/2008	Kadoya		
D574,050 S	7/2008	Jones		
7,396,296 B2	7/2008	Evans		
D574,456 S	8/2008	Chen		
D578,587 S	10/2008	Hoffman		
D579,066 S	10/2008	Dipert		
D579,067 S	10/2008	Hoffman		
D580,504 S	11/2008	Bosilkovski		
D583,432 S	12/2008	Serrano		
D587,772 S	3/2009	Ferguson		
D588,217 S	3/2009	Jertson		
D588,220 S	3/2009	Ferguson		
D588,659 S	3/2009	Jertson		
D589,576 S	3/2009	Kadoya		
7,503,854 B2	3/2009	Galloway		
D591,810 S	5/2009	Murphy		
D591,816 S	5/2009	Vehse et al.		
D591,817 S	5/2009	Murphy		
D591,818 S	5/2009	Roberts		
D594,518 S	6/2009	Schweigert		
D594,521 S	6/2009	Jertson		
D594,919 S	6/2009	Schweigert		
D595,381 S	6/2009	Waggoner		
D596,252 S	7/2009	Jertson		
D598,062 S	8/2009	Dipert		
D600,297 S	9/2009	Jertson		
D603,472 S	11/2009	Schweigert		
D603,919 S	11/2009	Gray		
D604,376 S	11/2009	Darley		
D609,293 S	2/2010	Williams		
D609,294 S	2/2010	Oldknow		
D611,555 S	3/2010	Oldknow		
D612,005 S	3/2010	Oldknow		
D613,805 S	4/2010	Sutovsky		
7,717,807 B2	5/2010	Evans et al.		
D618,747 S	6/2010	Schweigert		
D618,753 S	6/2010	Jertson		
D618,754 S	6/2010	Schweigert		
D621,892 S	8/2010	Kohno		
7,892,111 B2	2/2011	Morales		
D635,626 S	4/2011	Nicolette		
D638,896 S	5/2011	Schweigert		
7,934,998 B2	5/2011	Yokota		
8,012,034 B1	9/2011	Cackett		
8,012,038 B1	9/2011	Beach et al.		
D647,585 S	10/2011	Jertson et al.		
D661,751 S	6/2012	Nicolette		
D661,752 S	6/2012	Stokke		
D661,756 S	6/2012	Nicolette		
D661,757 S	6/2012	Stokke		
8,235,841 B2	8/2012	Stites et al.		
D669,546 S *	10/2012	Llewellyn	D21/752
D669,948 S *	10/2012	Sakamoto	D21/752
D669,949 S *	10/2012	Sakamoto	D21/752
8,337,319 B2	12/2012	Sargent et al.		
8,337,326 B2	12/2012	Lukasiewicz, Jr.		
8,337,328 B2	12/2012	Foster et al.		
D673,630 S *	1/2013	Schweigert	D21/752
D673,632 S	1/2013	Schweigert		
D680,179 S *	4/2013	Solheim	D21/752
D686,291 S	7/2013	Foster		
D687,503 S	8/2013	Solheim		
D691,230 S	10/2013	Chen et al.		
D696,739 S	12/2013	Stokke et al.		
D705,879 S *	5/2014	Chen	D21/752
D709,153 S	7/2014	Fossum et al.		
D709,574 S	7/2014	Bacon et al.		
D720,025 S	12/2014	Nicolette		
D721,147 S *	1/2015	Chen	D21/759
D721,777 S *	1/2015	Chen	D21/759
D754,271 S *	4/2016	Chen	D21/759
D755,317 S *	5/2016	Chen	D21/759
D763,983 S *	8/2016	Tang	D21/752
2006/0052181 A1 *	3/2006	Serrano	A63B 53/0466 473/345
2008/0171612 A1	7/2008	Serrano		
2008/0188322 A1	8/2008	Anderson		
2009/0275419 A1	11/2009	Cackett		
2010/0267461 A1	10/2010	Stites		
2011/0053702 A1	3/2011	Stites		
2011/0143858 A1	6/2011	Peralta		
2012/0252597 A1	10/2012	Thomas		
2013/0029781 A1	1/2013	Beno et al.		

* cited by examiner

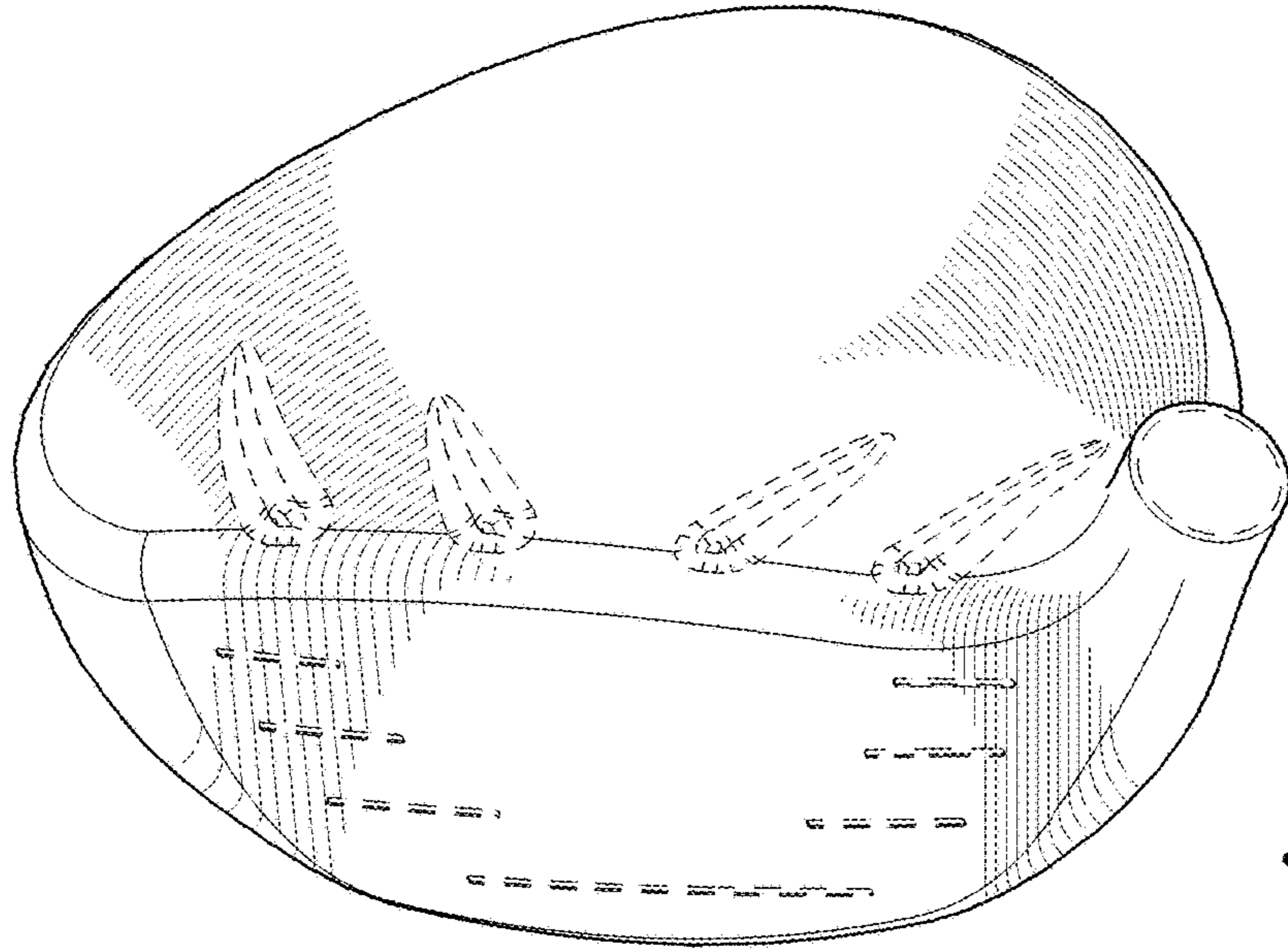


Fig. 1

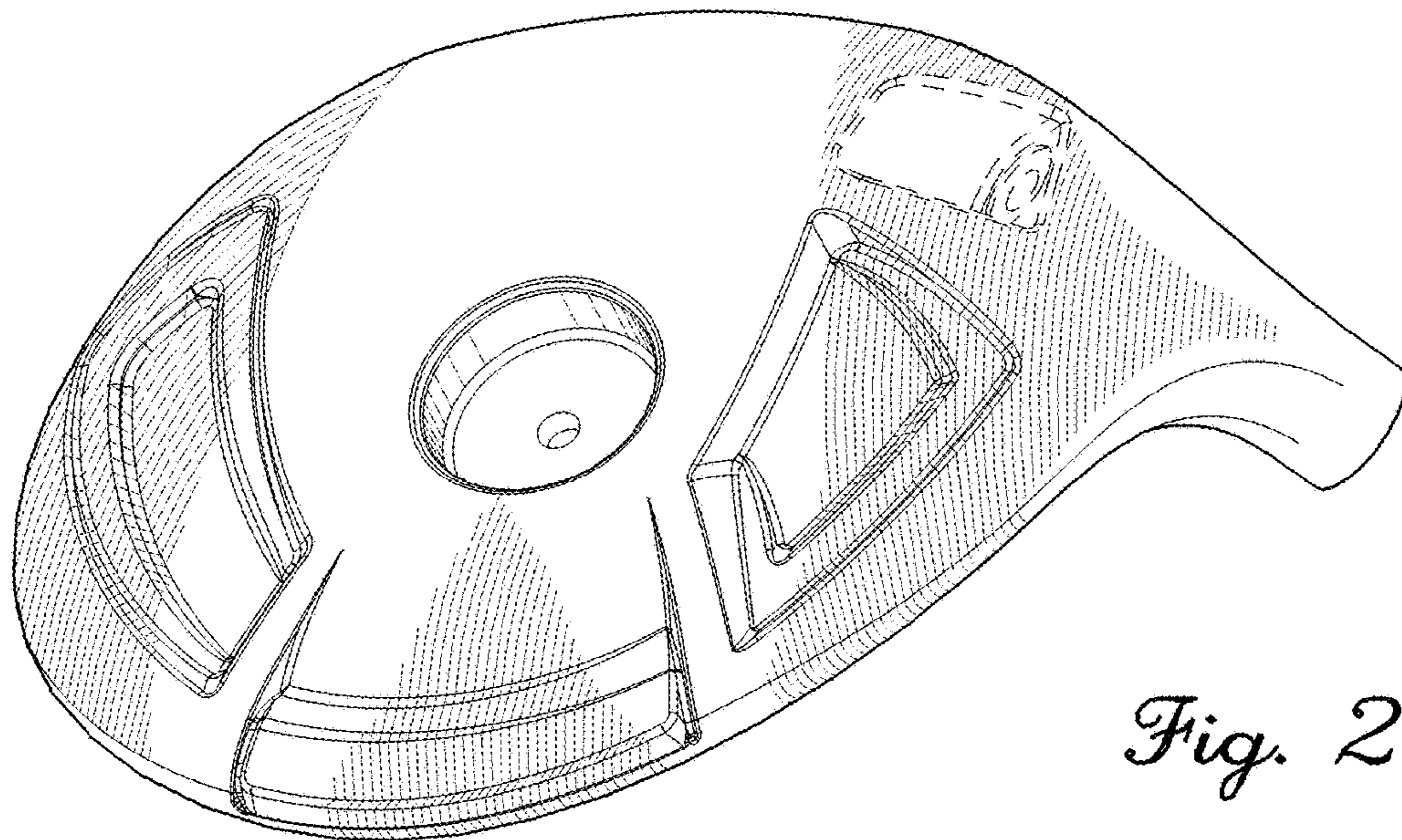


Fig. 2

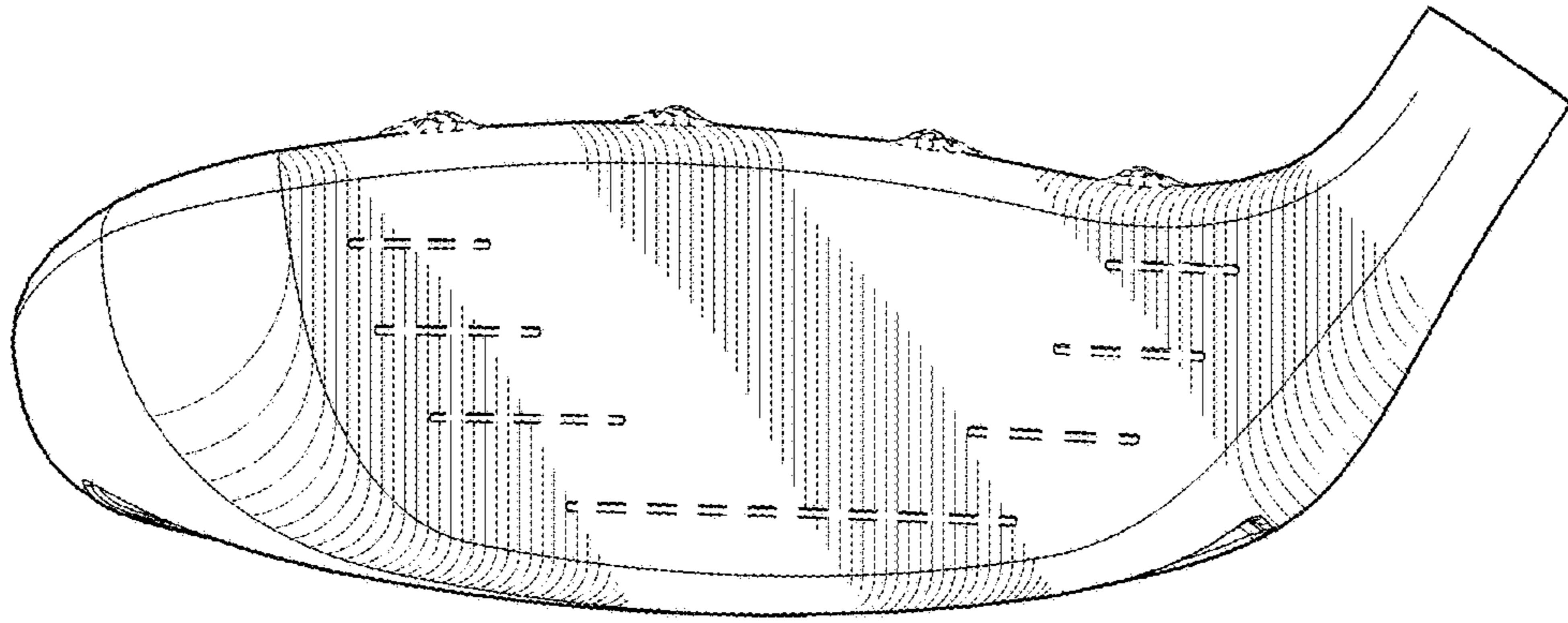


Fig. 3

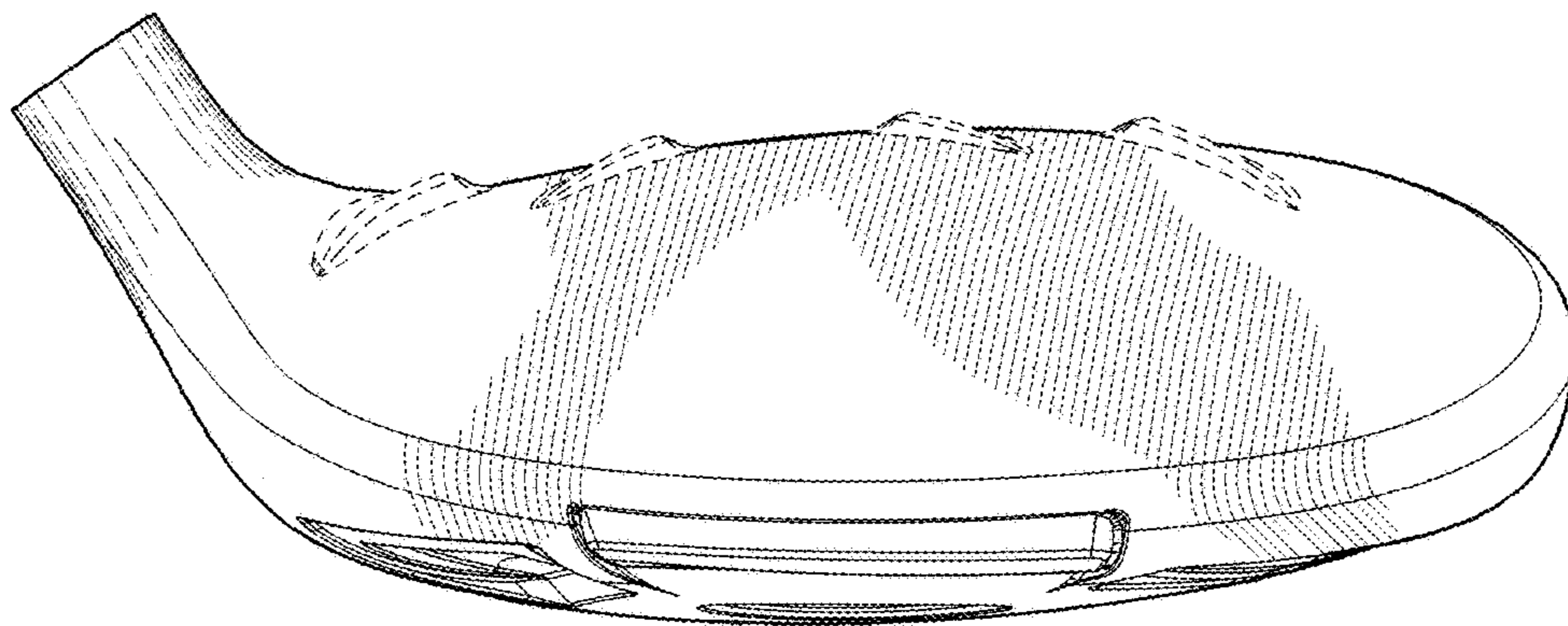


Fig. 4

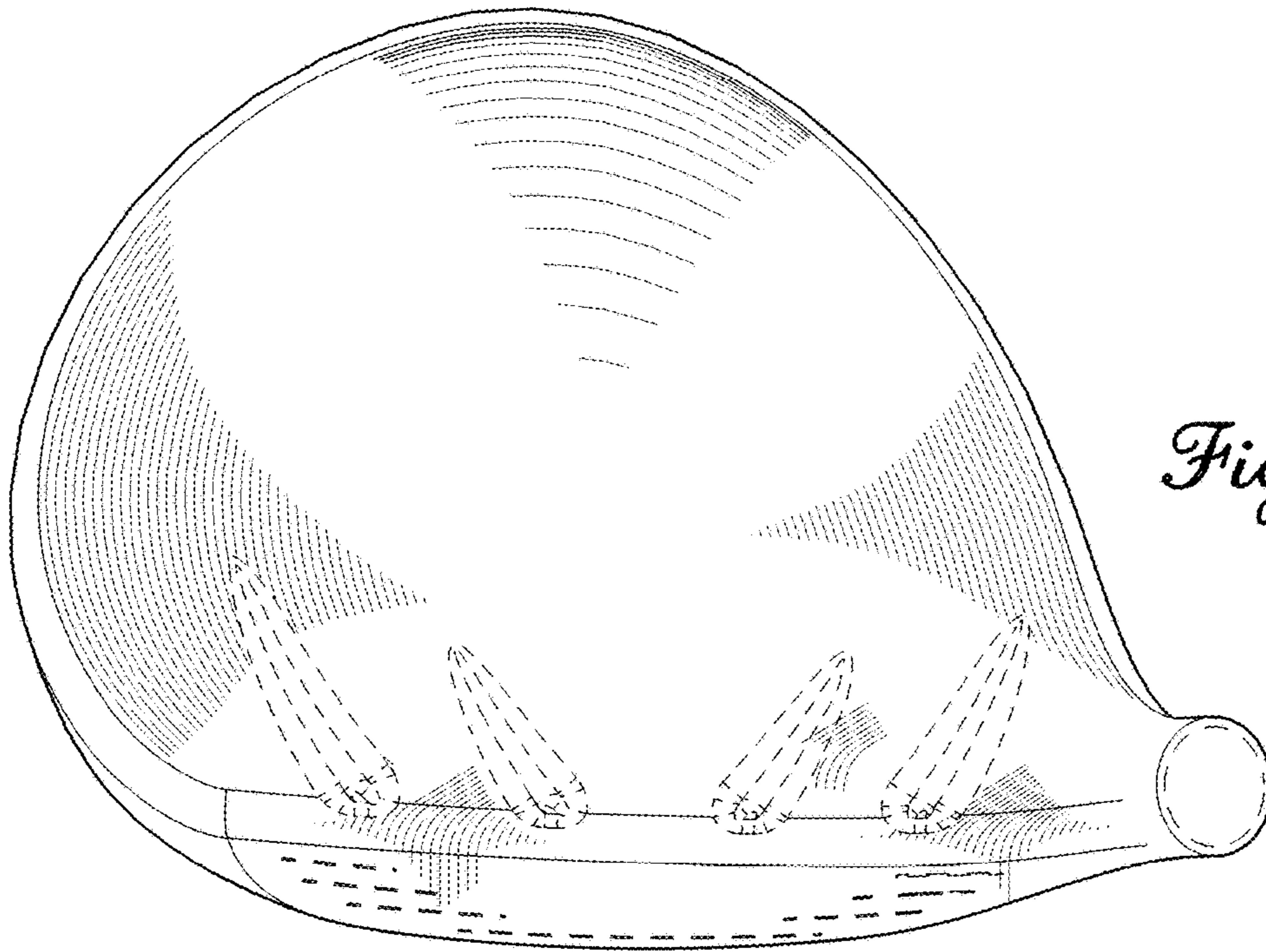


Fig. 5

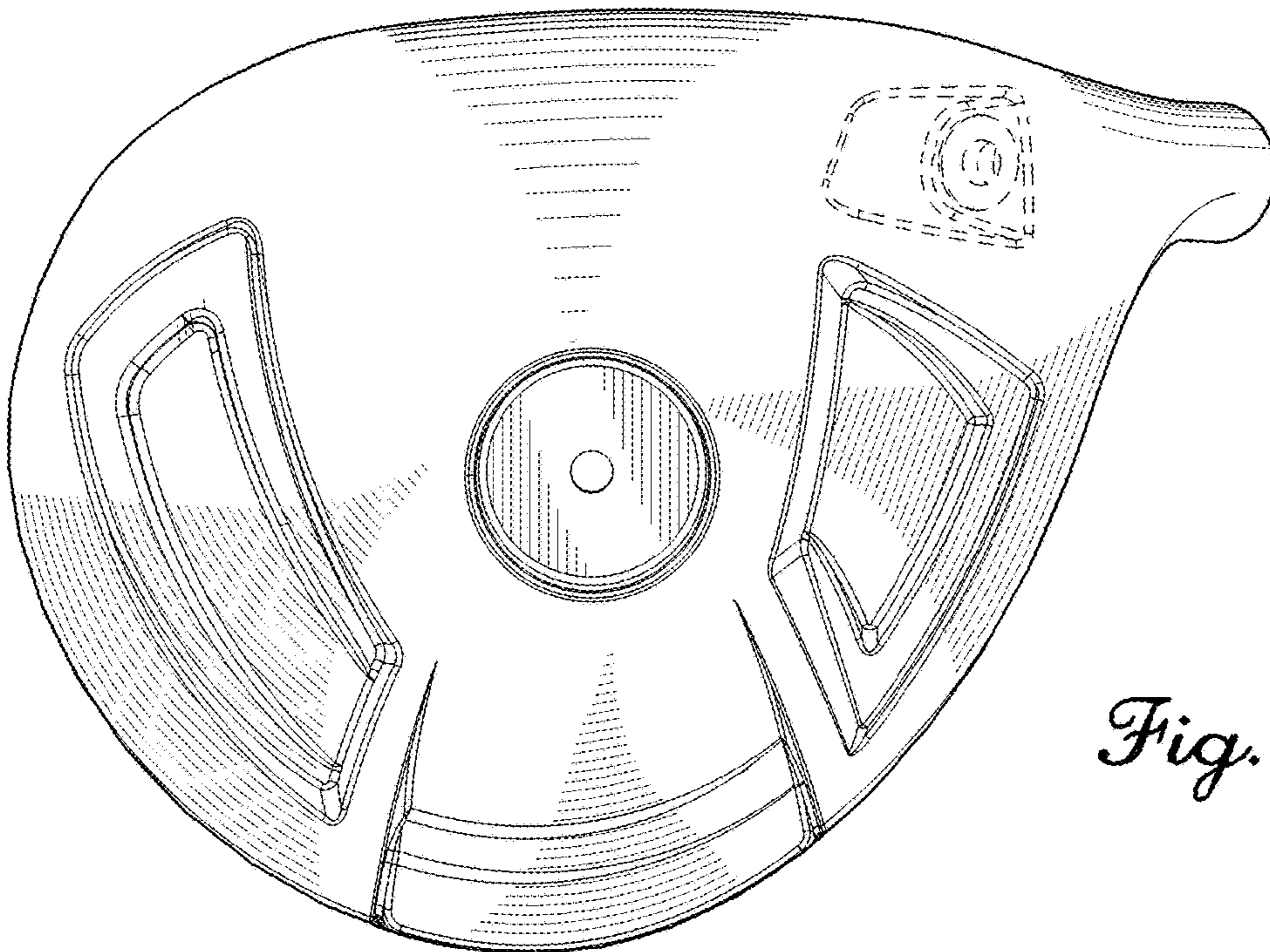


Fig. 6

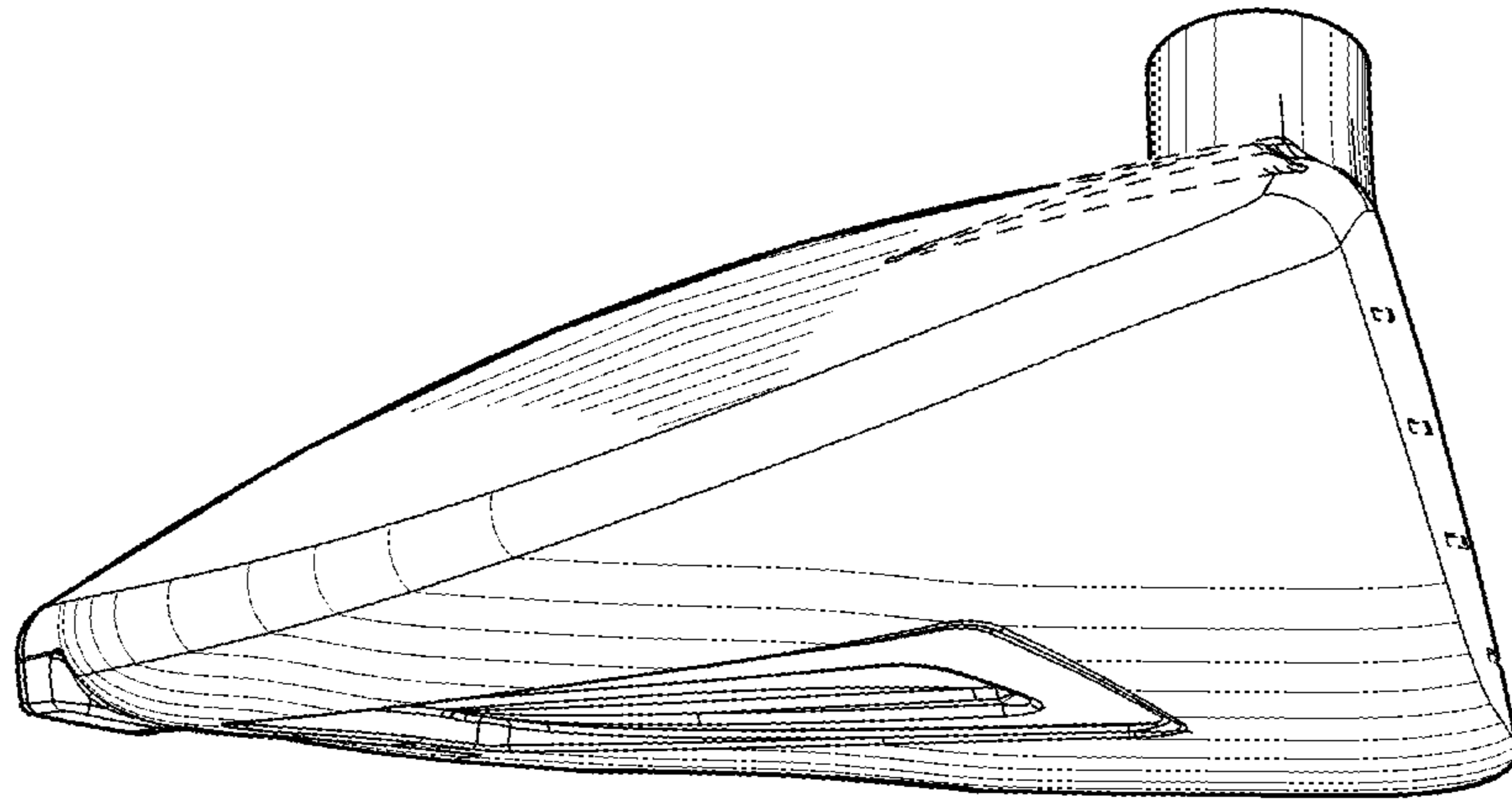


Fig. 7

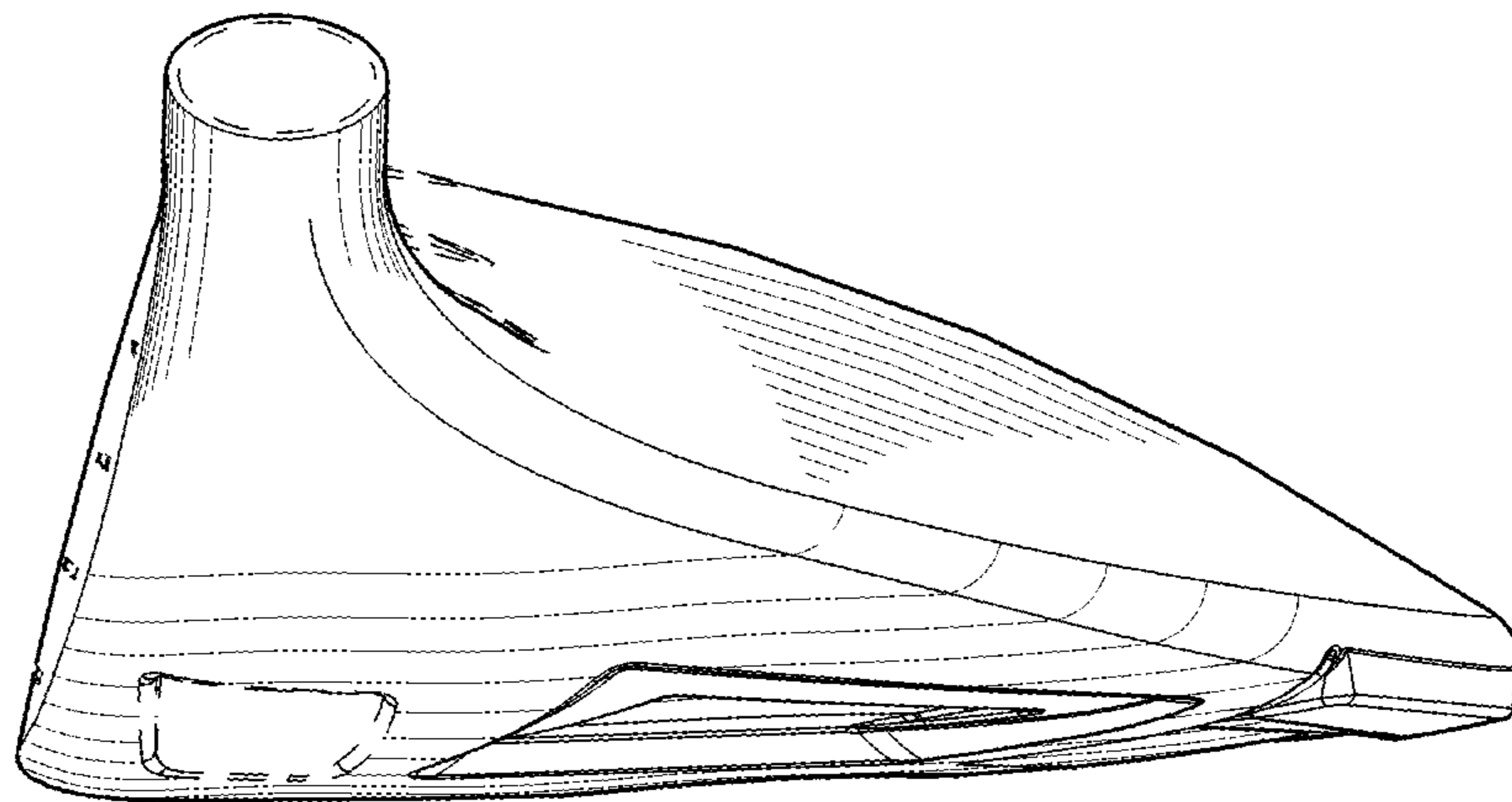


Fig. 8