



US00D777851S

(12) **United States Design Patent** (10) **Patent No.:** **US D777,851 S**
Simonetti (45) **Date of Patent:** **** *Jan. 31, 2017**

- (54) **WEIGHT SELECTOR PIN**
- (71) Applicant: **Bronze Fist Design, Inc.**, Foxboro, MA (US)
- (72) Inventor: **Dominic A. Simonetti**, Hermosa Beach, CA (US)
- (73) Assignee: **Bronze Fist Design, Inc.**, Foxboro, MA (US)
- (*) Notice: This patent is subject to a terminal disclaimer.
- (**) Term: **15 Years**
- (21) Appl. No.: **29/531,155**
- (22) Filed: **Jun. 23, 2015**
- (51) **LOC (10) Cl.** **21-02**
- (52) **U.S. Cl.**
USPC **D21/694**
- (58) **Field of Classification Search**
USPC 482/106, 112, 128, 109, 139, 132, 127, 482/44, 107, 49, 50, 122, 126, 104, 93, 482/125, 121, 98, 123, 130, 51, 70, 147, 482/79, 142, 148, 62, 45, 46, 114, 118, 482/135, 137; D21/681, 679, 684, 662, D21/680, 725, 752, 812, 668, 691; D7/697; D23/266; 1/1; 601/120; D13/133; D14/356, 433, 240; D24/215, 211, 212; D15/17; D22/117; D6/521
CPC . A63B 23/0211; A63B 23/14; A63B 21/4035; A63B 21/4047; A63B 2208/0233; A63B 21/0004; A63B 21/068; A63B 21/078; A61H 15/0092
See application file for complete search history.

- (56) **References Cited**
U.S. PATENT DOCUMENTS
D241,341 S * 9/1976 Oxley D13/133
4,913,417 A * 4/1990 Francu A63B 23/14
482/128

- D313,790 S * 1/1991 Hirabayashi D13/133
- D325,945 S * 5/1992 Gross D21/679
- D328,280 S * 7/1992 Lee D13/133
- D382,429 S * 8/1997 Goldstein D6/521
- D475,348 S * 6/2003 D'Addario D13/133
- D619,127 S * 7/2010 Tong D13/133
- D702,188 S * 4/2014 Jacobs D13/133
- D717,429 S * 11/2014 Kawamura D24/130
- D722,160 S * 2/2015 Armstrong D24/130
- D730,455 S * 5/2015 Burris D21/662
- D753,293 S * 4/2016 Eckstein D24/130
- 2004/0063556 A1* 4/2004 Wischusen A63B 21/0004
482/148
- 2006/0276314 A1* 12/2006 Wilson A63B 21/015
482/106
- 2012/0077643 A1* 3/2012 Chuang A63B 21/22
482/44

(Continued)

Primary Examiner — Robert M Spear
Assistant Examiner — Ryan Harvey
(74) *Attorney, Agent, or Firm* — Tsircou Law, P.C.

(57) **CLAIM**

The ornamental design for a weight selector pin, as shown and described.

DESCRIPTION

This application is related to:
U.S. Utility patent application Ser. No. 13/653,852 filed on Jan. 7, 2013; and,
U.S. Utility patent application Ser. No. 14/076,461 filed on Nov. 11, 2013; and,
U.S. Utility patent application Ser. No. 14/473,262 filed on Aug. 29, 2014.
FIG. 1 is a perspective view of a weight selector pin of the present invention;
FIG. 2 is a second perspective view of the weight selector pin of the present invention;
FIG. 3 is a handle end view of the weight selector pin of the present invention;
FIG. 4 is a side view of the weight selector pin of the present invention; and,

(Continued)

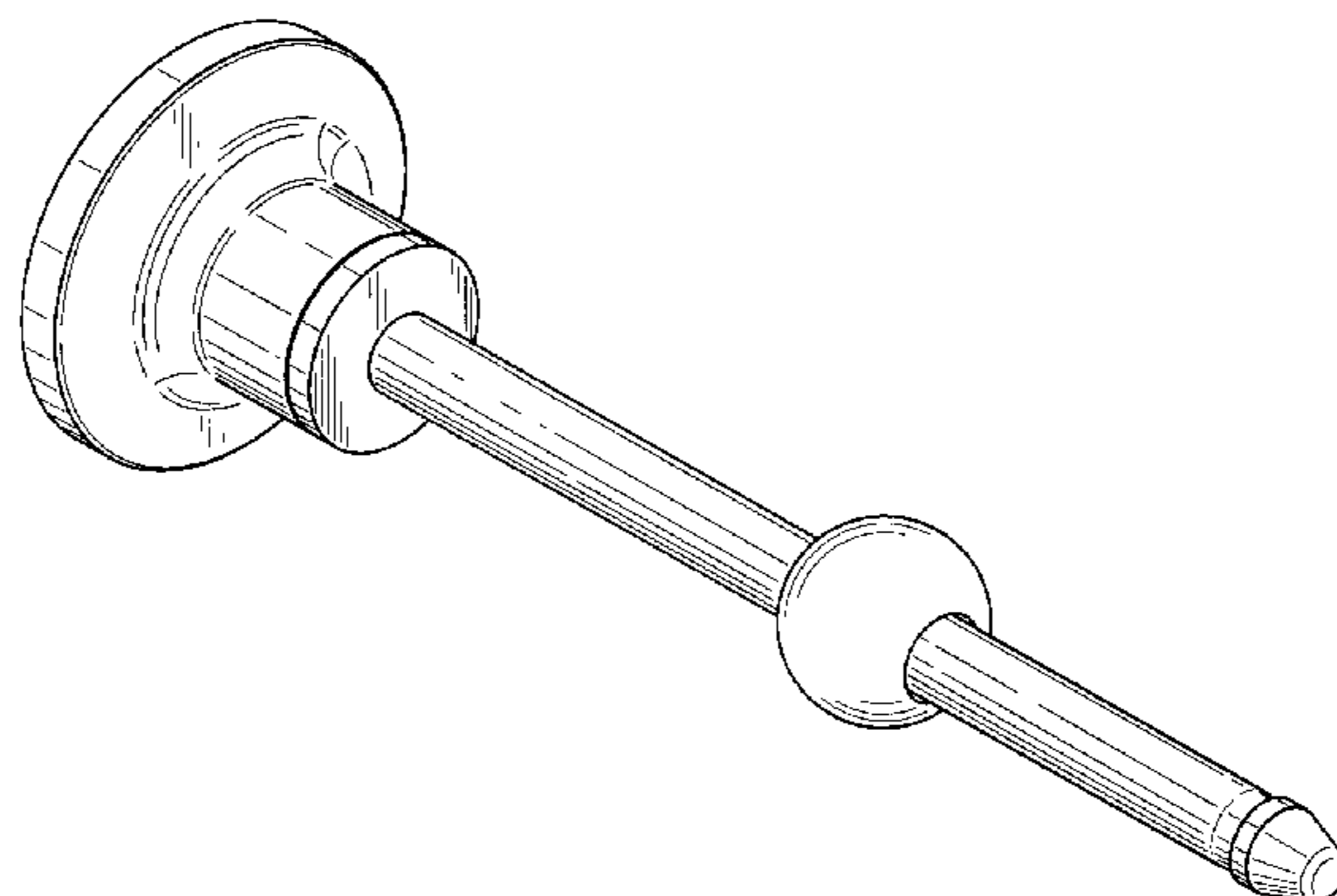


FIG. 5 is a pin end view of the weight selector pin of the present invention.

1 Claim, 2 Drawing Sheets

(56)

References Cited

U.S. PATENT DOCUMENTS

2012/0310125 A1* 12/2012 Hall A61H 15/0085
601/120
2014/0114221 A1* 4/2014 Indermill A61H 15/00
601/120

* cited by examiner

Fig. 1

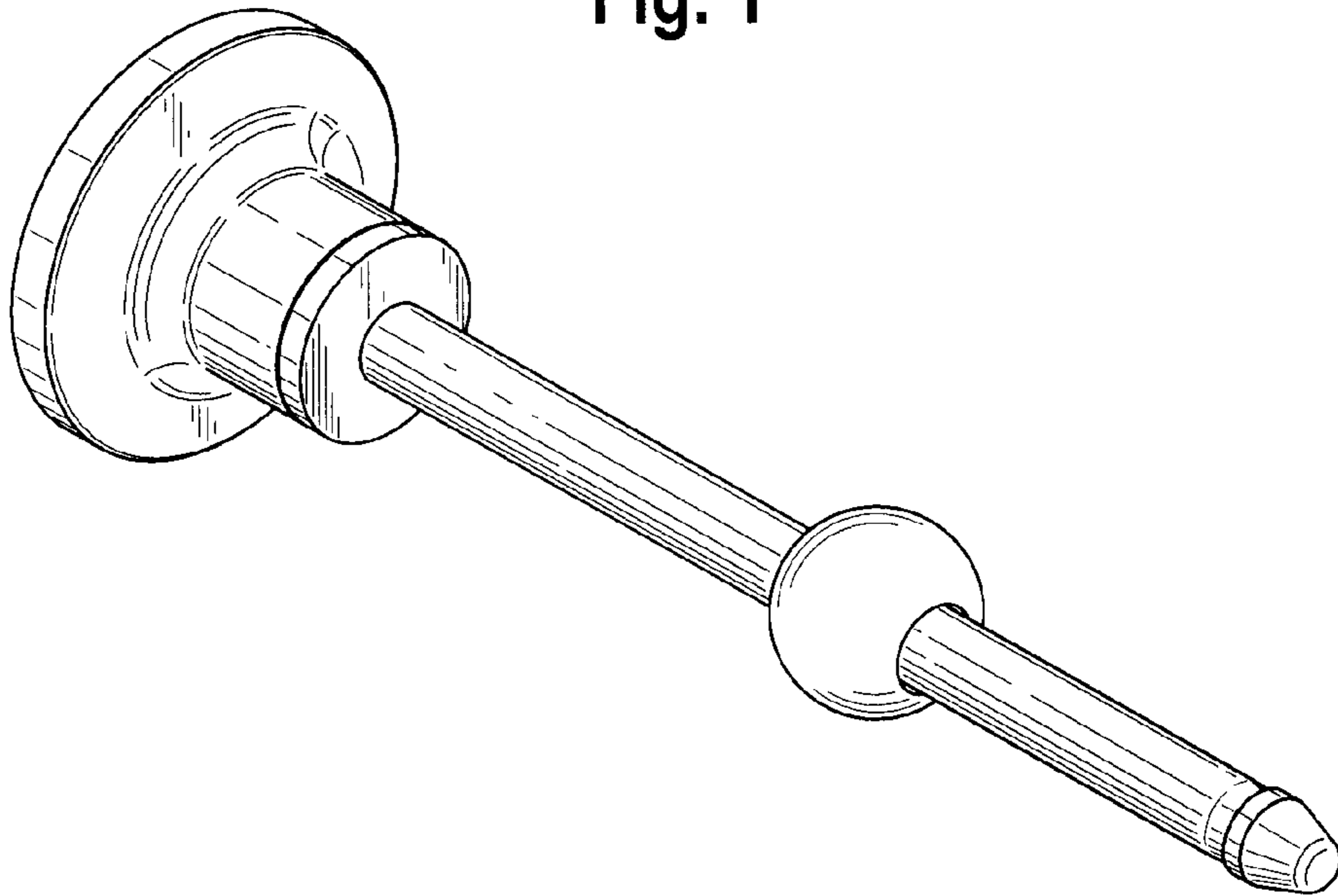


Fig. 2

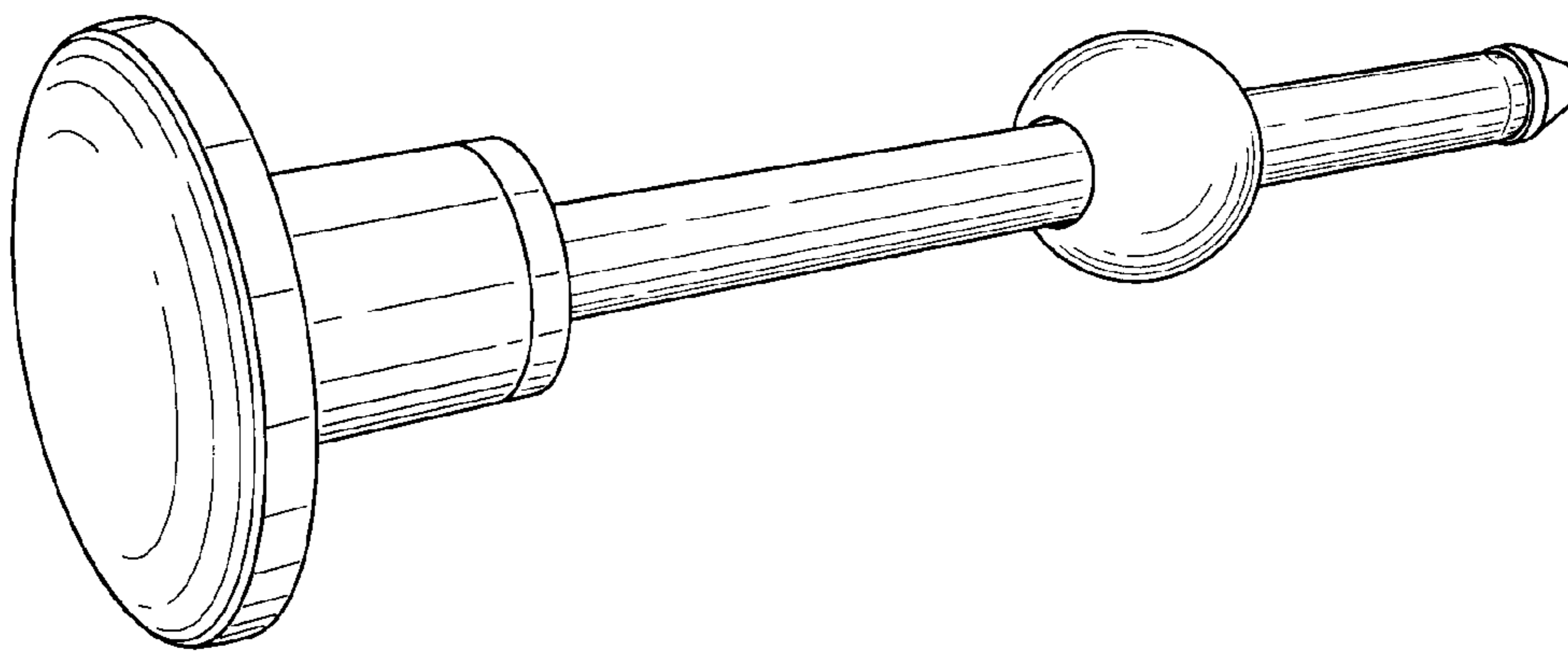


Fig. 3

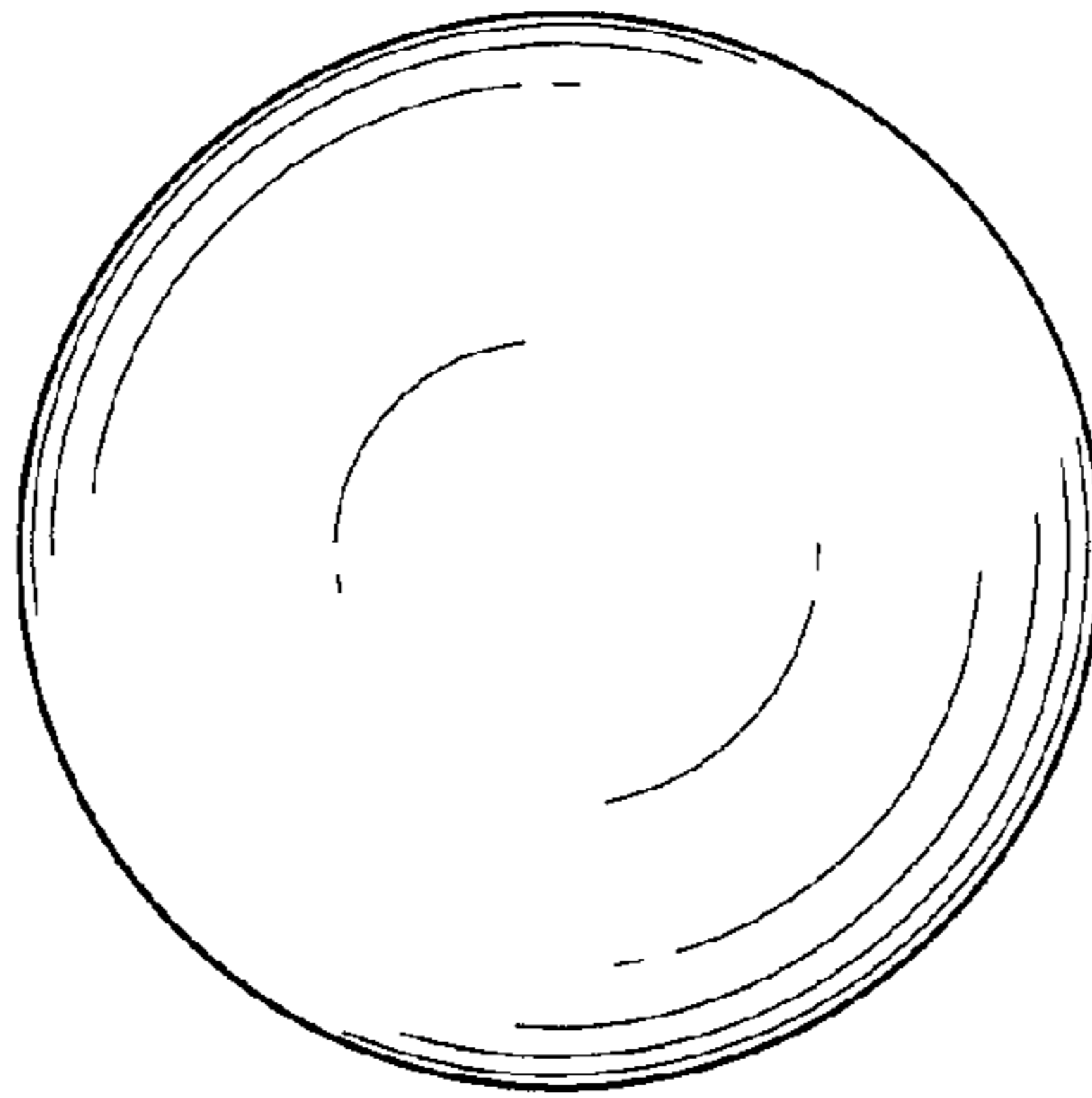


Fig. 4

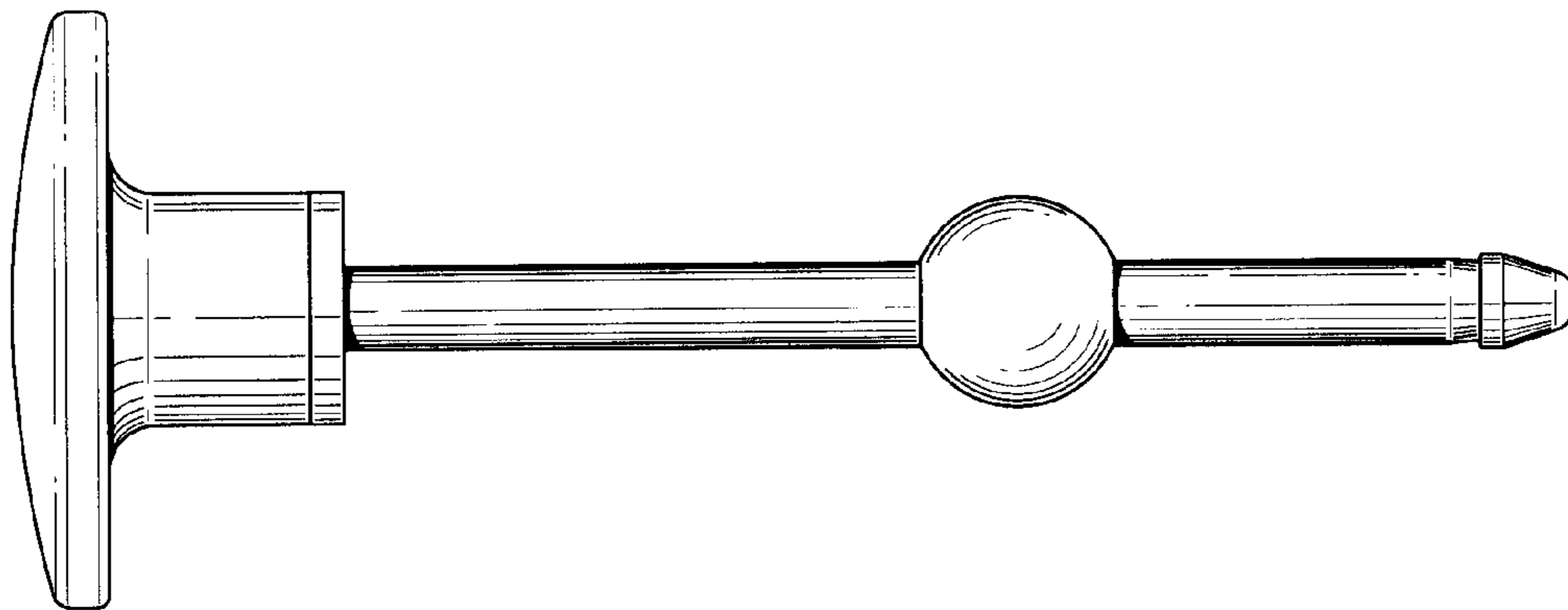


Fig. 5

