

US00D777849S

(12) **United States Design Patent** (10) **Patent No.:** **US D777,849 S**  
**Jones et al.** (45) **Date of Patent:** **\*\* Jan. 31, 2017**

- (54) **BENCH PRESS SAFETY ATTACHMENT**
- (71) Applicants: **Geoff Ryan Jones**, Fullerton, CA (US);  
**Casey Thomas Shine**, Placentia, CA (US)
- (72) Inventors: **Geoff Ryan Jones**, Fullerton, CA (US);  
**Casey Thomas Shine**, Placentia, CA (US)
- (\*\*) Term: **15 Years**
- (21) Appl. No.: **29/528,561**
- (22) Filed: **May 29, 2015**

**Related U.S. Application Data**

- (63) Continuation of application No. 13/398,689, filed on Feb. 16, 2012, now Pat. No. 9,132,313.
- (51) **LOC (10) Cl.** ..... **21-02**
- (52) **U.S. Cl.**  
USPC ..... **D21/690**
- (58) **Field of Classification Search**  
USPC ..... 482/54, 140, 142, 123, 121, 122, 129, 482/130, 96, 52, 57, 907, 126, 131, 145, 482/144, 112, 134, 26, 27, 77, 125, 132, 482/92, 95, 91, 128, 68, 141, 53, 133, 482/138; D21/687, 686, 669, 673, D21/690, 691, 694, 676, 674, 670, D21/663, 662, 423, 695, 688; D24/183, D24/188; 297/175, 445.1, 423.38, 230.1; 601/24, 49; 606/240, 244, 242; 5/613, 5/618, 624; 473/197, 422; 280/47.371, 280/79.6; D14/447  
CPC . A63B 22/02; A63B 22/0023; A63B 22/0235; A63B 2210/50; A63B 21/4029; A63B 22/0285; A63B 22/0242; A63B 2225/30; A63B 21/078; A61H 2203/0493; A61H 1/0292; A61H 2201/1284; A61H 1/0222  
See application file for complete search history.

(56) **References Cited**

U.S. PATENT DOCUMENTS

D283,530 S *	4/1986	Smith	.....	D21/674
4,609,193 A *	9/1986	Paris	.....	A61H 1/0218 482/142
D287,388 S *	12/1986	Cheng	.....	D21/674
4,757,998 A *	7/1988	Landin	.....	A63B 21/078 482/104
D349,140 S *	7/1994	Rockwell	.....	D21/674
5,441,473 A *	8/1995	Safari	.....	A63B 21/4009 482/130
D373,608 S *	9/1996	Summers	.....	D21/673
D379,483 S *	5/1997	England	.....	D21/676
D385,930 S *	11/1997	Chen	.....	D21/687
D386,226 S *	11/1997	Chen	.....	D21/691
D393,891 S *	4/1998	Van Der Hoeven	.....	D21/676
5,752,901 A *	5/1998	Lee	.....	A63B 21/04 482/125
5,776,042 A *	7/1998	Szabo	.....	A63B 21/0004 482/131
D400,953 S *	11/1998	Huang	.....	D21/687
D404,432 S *	1/1999	Sands	.....	D21/662
6,220,995 B1 *	4/2001	Chen	.....	A63B 21/02 297/175
D476,045 S *	6/2003	Casey	.....	D21/686
D478,137 S *	8/2003	Ho	.....	D21/687
D502,230 S *	2/2005	Chen	.....	D21/673

(Continued)

*Primary Examiner* — Robert M Spear  
*Assistant Examiner* — Ryan Harvey  
(74) *Attorney, Agent, or Firm* — Scott R. Maynard; Sean D. Burdick

(57) **CLAIM**

The ornamental design for a bench press safety attachment, as shown and described.

**DESCRIPTION**

FIG. 1 is a perspective view of a bench press safety attachment, showing our new design.  
FIG. 2 is a front view thereof.

(Continued)

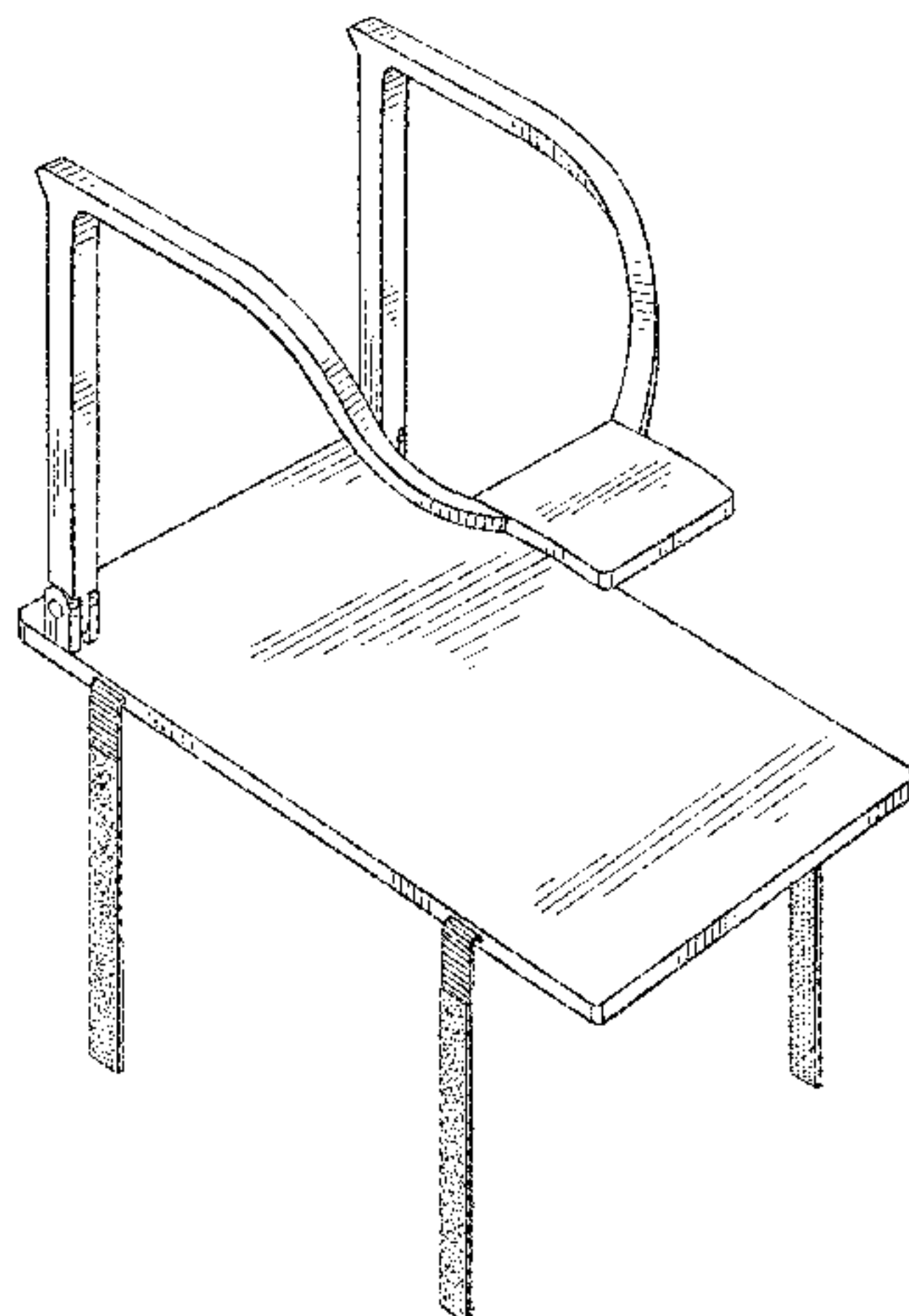


FIG. 3 is a rear view thereof.  
 FIG. 4 is a top view thereof.  
 FIG. 5 is a bottom view thereof.  
 FIG. 6 is a side view thereof; and,  
 FIG. 7 is an opposite side view thereof.

**1 Claim, 6 Drawing Sheets**

(56)

**References Cited**

U.S. PATENT DOCUMENTS

D629,053 S *	12/2010	Tsai	.....	D21/674
D632,746 S *	2/2011	Wu	.....	D21/674
D641,434 S *	7/2011	Khubani	.....	D21/676
D649,205 S *	11/2011	Zachary	.....	D21/676
D659,207 S *	5/2012	Brown	.....	D21/687
D681,753 S *	5/2013	Ellison	.....	D21/690
D685,867 S *	7/2013	Mehlman	.....	D21/687
D705,367 S *	5/2014	Ho	.....	D21/687

8,764,617 B2 *	7/2014	Teeter	.....	A61H 1/0292
				482/126
D727,441 S *	4/2015	Chuang	.....	D21/687
D728,709 S *	5/2015	Ho	.....	D21/687
D729,887 S *	5/2015	Zeng	.....	D21/686
D741,421 S *	10/2015	Ho	.....	D21/687
D743,494 S *	11/2015	Ho	.....	D21/687
2004/0220027 A1 *	11/2004	Stearns	.....	A63B 21/0552
				482/140
2007/0259762 A1 *	11/2007	Ho	.....	A63B 21/0615
				482/142
2007/0281840 A1 *	12/2007	Tsai	.....	A63B 23/0211
				482/140
2008/0096743 A1 *	4/2008	Weir	.....	A47C 9/005
				482/140
2014/0287888 A1 *	9/2014	Jones	.....	A63B 21/078
				482/104
2015/0011367 A1 *	1/2015	Schmidt	.....	A63B 21/078
				482/104
2016/0059061 A1 *	3/2016	Lagree	.....	A63B 21/00065
				482/92

\* cited by examiner

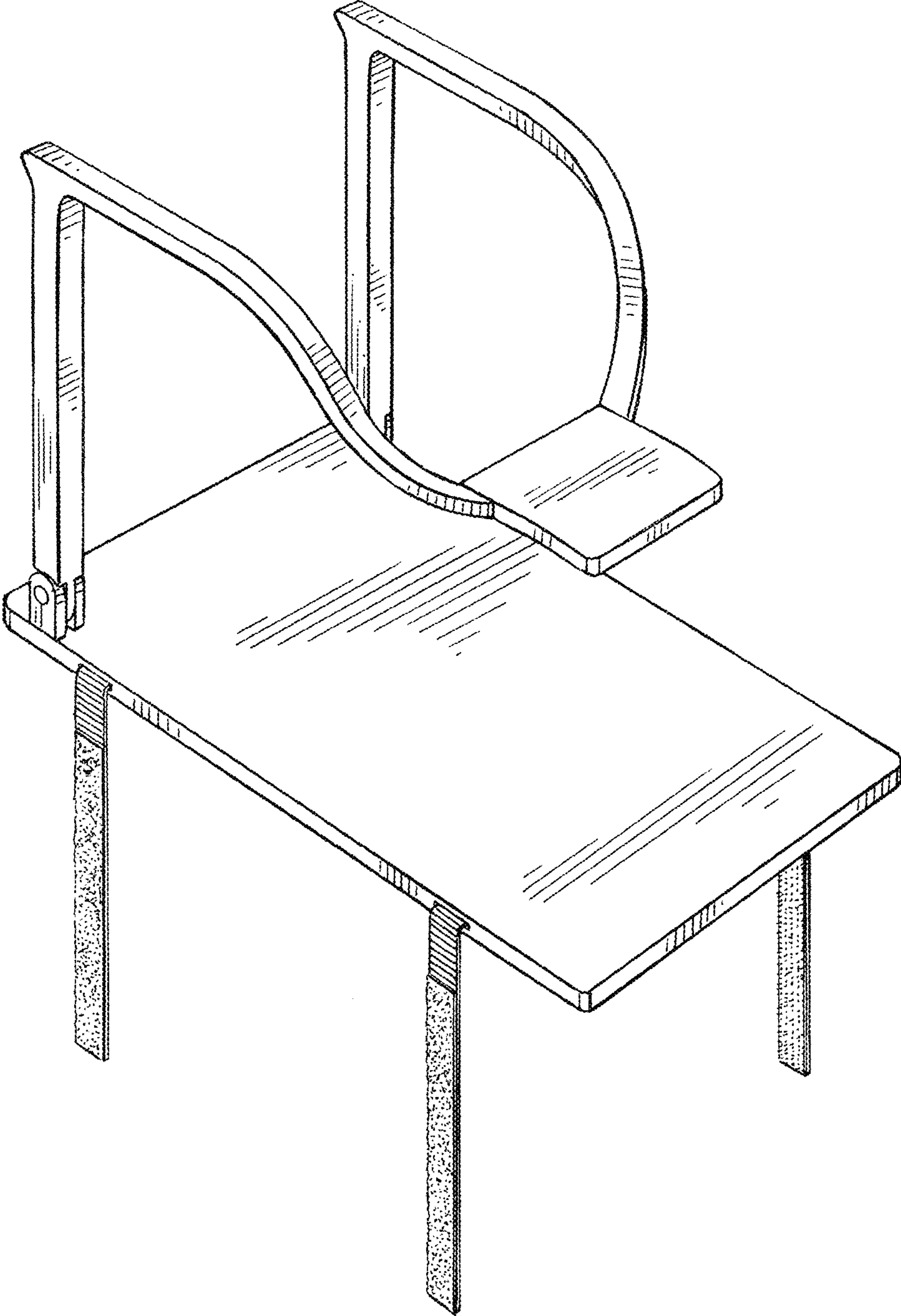


FIG. 1

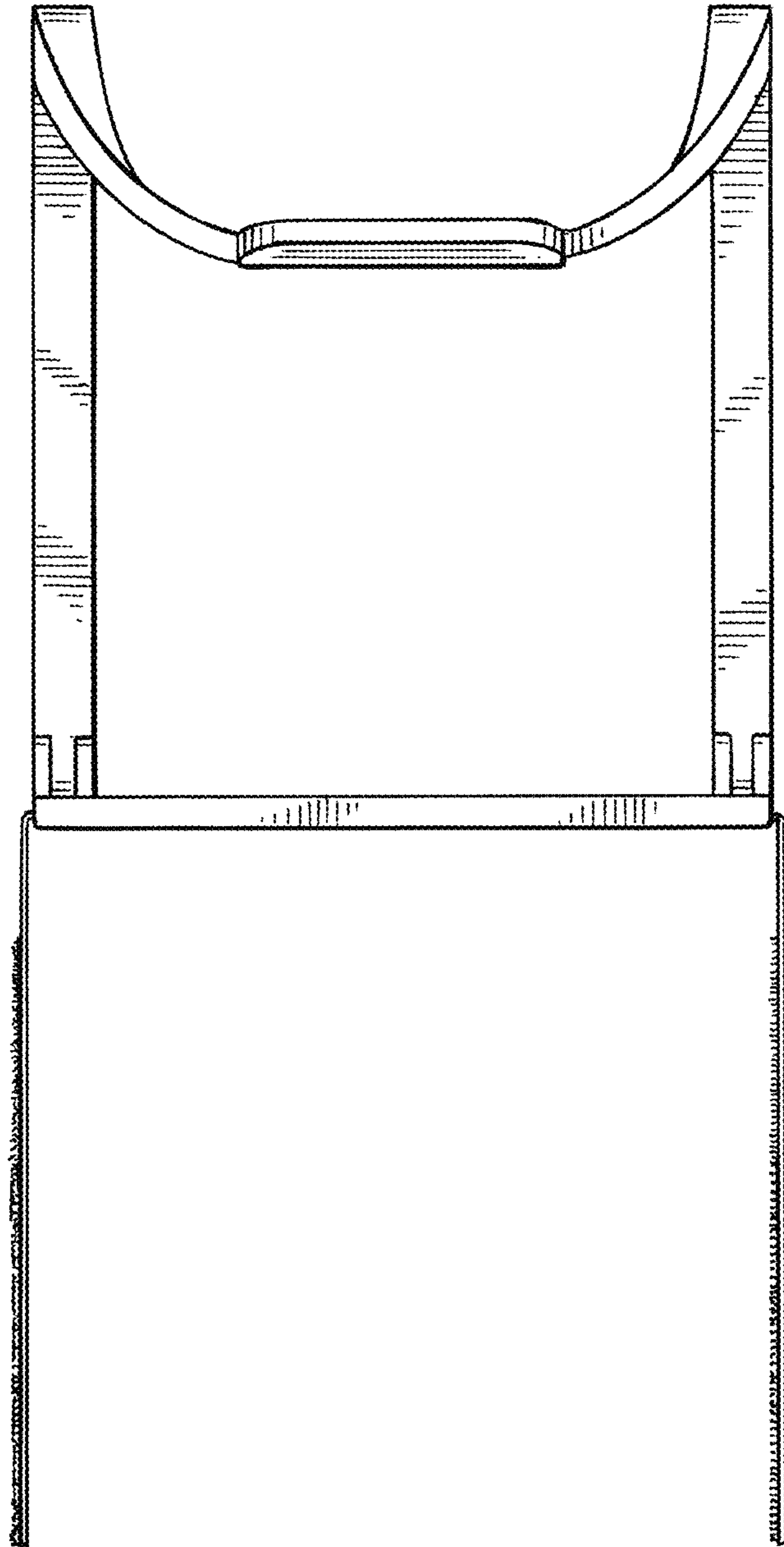


FIG. 2

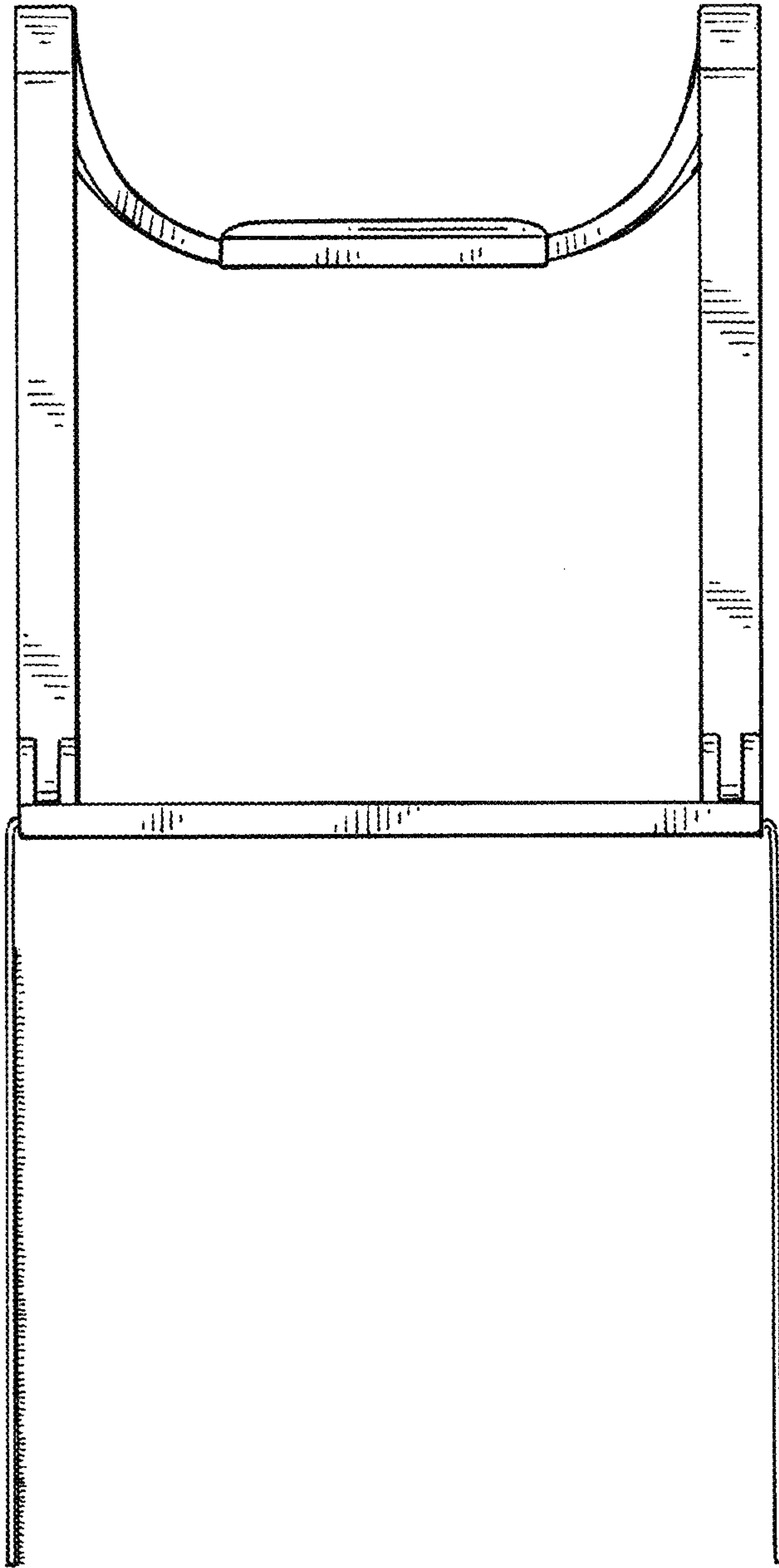


FIG. 3



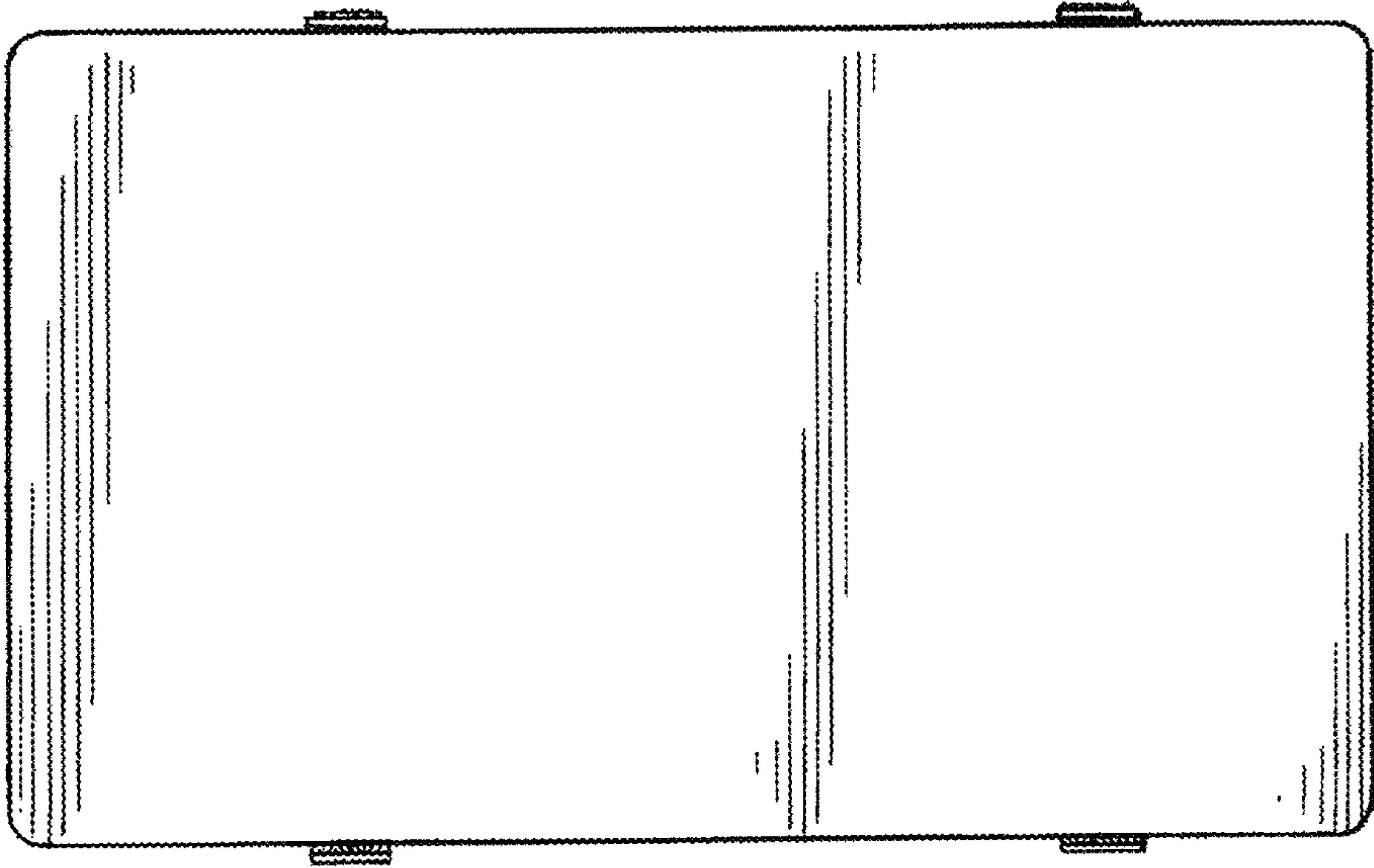


FIG. 5

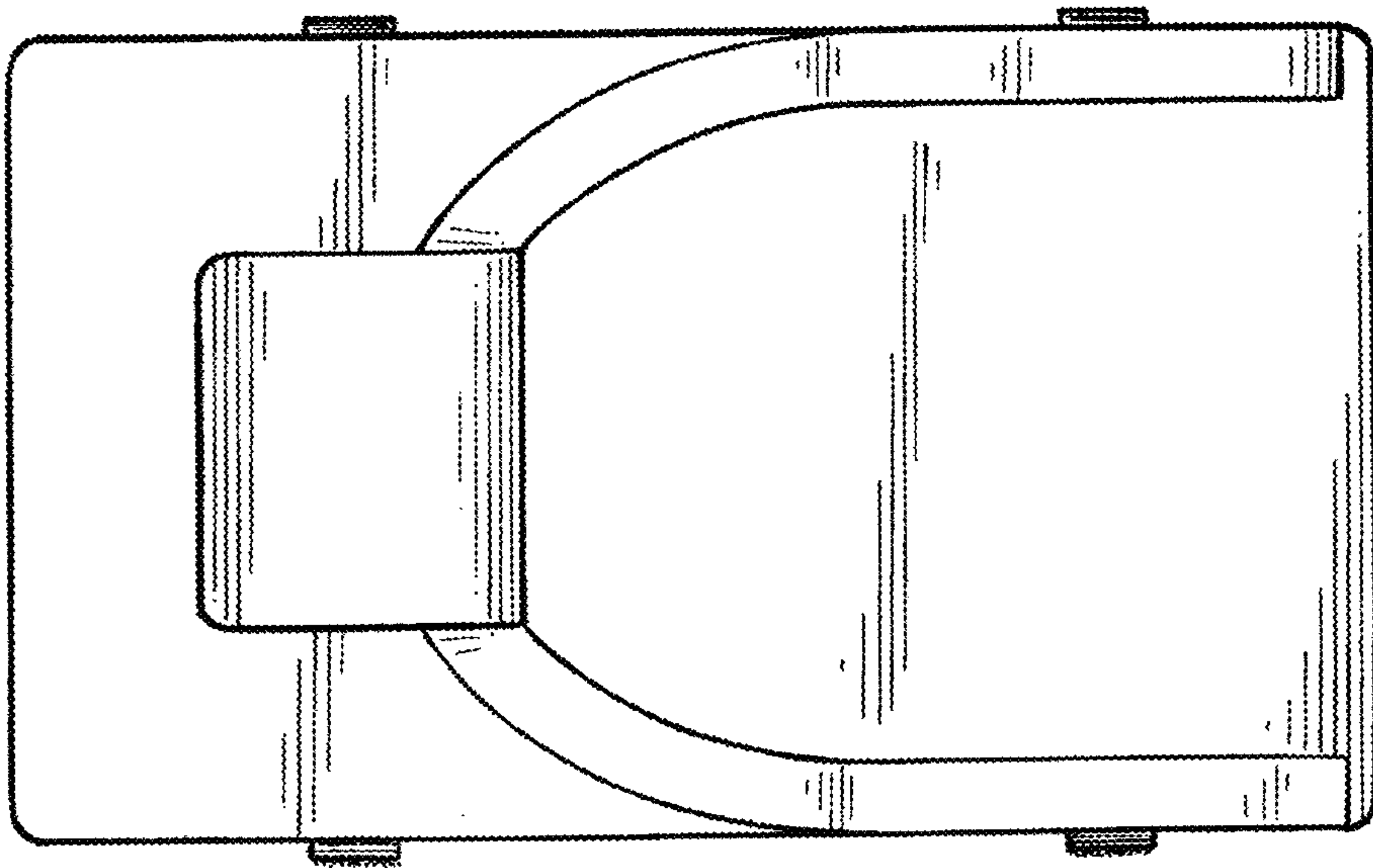


FIG. 4

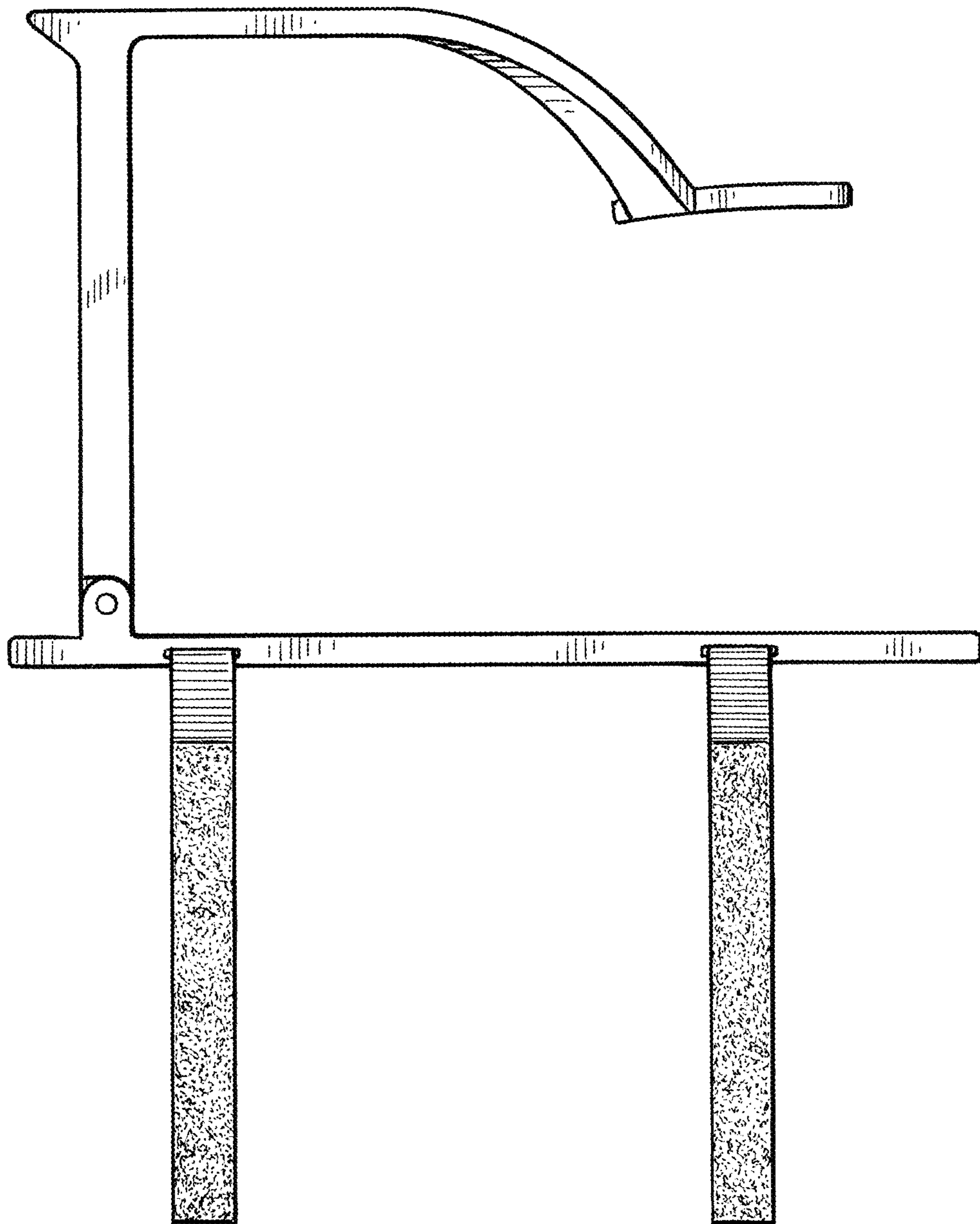


FIG. 6

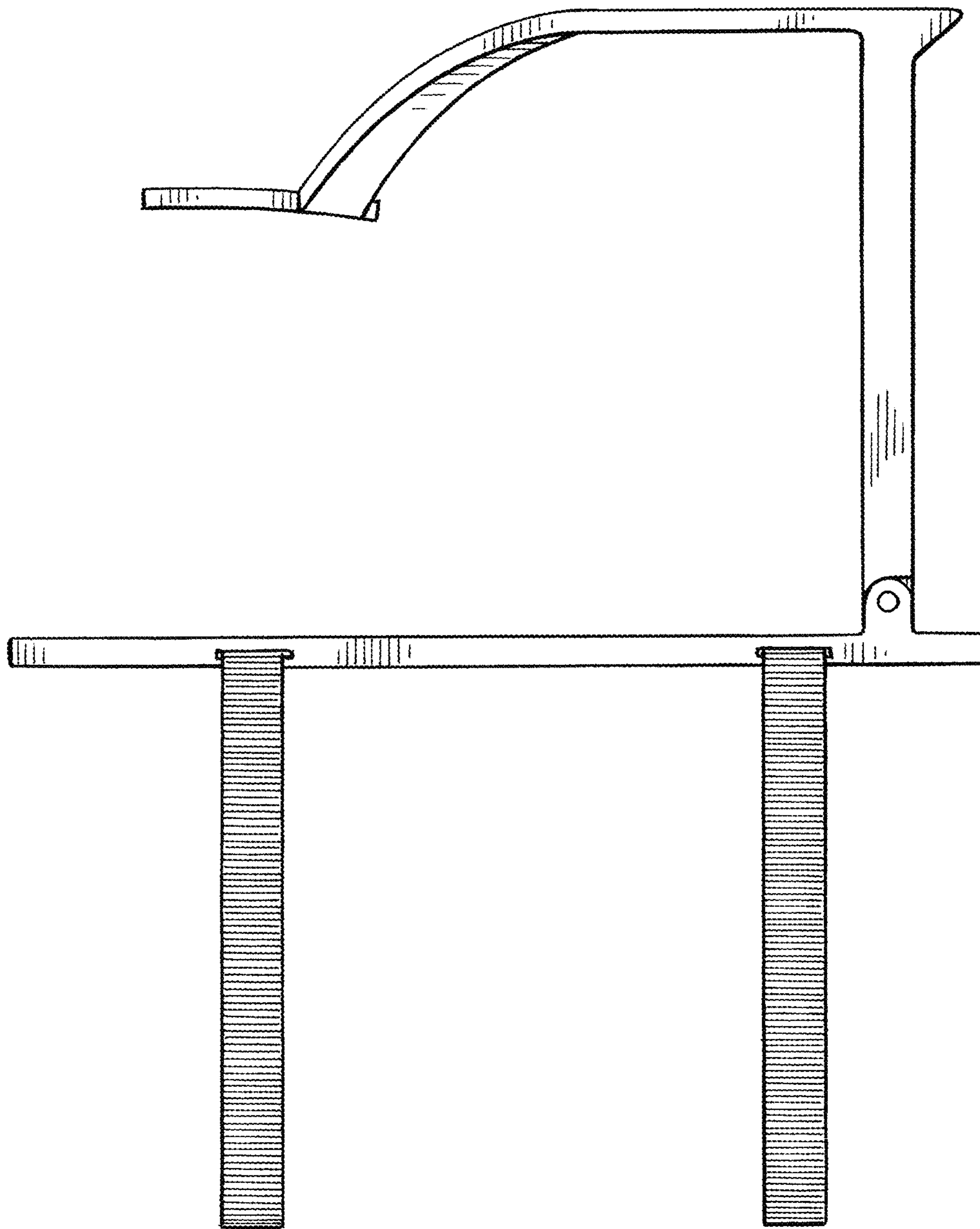


FIG. 7