



US00D777848S

(12) **United States Design Patent** (10) **Patent No.:** **US D777,848 S**
Bennett (45) **Date of Patent:** **** Jan. 31, 2017**

(54) **TIPPING EXERCISE BOARD**

(71) Applicant: **Russ Bennett**, Mammoth Lakes, CA (US)
 (72) Inventor: **Russ Bennett**, Mammoth Lakes, CA (US)
 (**) Term: **15 Years**
 (21) Appl. No.: **29/539,666**
 (22) Filed: **Sep. 16, 2015**
 (51) **LOC (10) Cl.** **21-02**
 (52) **U.S. Cl.**
 USPC **D21/688**
 (58) **Field of Classification Search**
 USPC D21/797, 694, 671, 686, 698, 699, 680, D21/685, 692, 687, 689, 318, 688, 412, D21/333, 683, 798; D8/330, 1, 16; 482/142, 52, 51, 30, 74, 91, 140, 25, 94, 482/122; D19/37, 64, D19/59; D9/624, D9/629; D14/417, 496; 15/104.93, 15/105, 118, 229.11, 208; D25/139, 155, D25/62, 65; D6/349, 582, 598, 335, 350, D6/583, 588, 585; 99/472, 467; D34/23, D34/1; 297/461, 223, 297/423.41; 269/289 R, 13, 15, 14; 206/501, 256, 206/272.8, 308.2, 330, 60, 213; 248/678; D7/698, 699, 629, 388; 220/4.26; 217/3 R; D24/190, 191, 192, 167; D17/99; D3/294, D3/282, 905; D30/118; 182/33; D99/17, 1; 451/534, 539; 446/117, 69; 473/278
 CPC A63B 22/001; A63B 22/0664; A63B 23/0211; A63B 21/225; A63B 2022/067; A63B 21/4035; A63B 2210/50; A63B 22/0015; A63B 2208/0204; A63B 21/4047; A63B 2208/0233; A63B 21/0552; A63B 22/0056
 See application file for complete search history.

(56) **References Cited**

U.S. PATENT DOCUMENTS

D134,341 S * 11/1942 Churchiill D21/688
 D265,411 S * 7/1982 Hedenblad D21/688
 4,705,272 A * 11/1987 Rupprecht A63B 21/0004
 482/146
 4,826,159 A * 5/1989 Hersey A63B 26/003
 482/146
 5,545,115 A * 8/1996 Corcoran A63B 22/16
 482/146
 5,643,164 A * 7/1997 Teff A61H 1/0266
 482/146
 D405,135 S * 2/1999 Scott D21/688
 5,897,474 A * 4/1999 Romero A63B 22/14
 446/396
 D469,486 S * 1/2003 Olson D21/662
 D471,605 S * 3/2003 Teff D21/662
 6,616,583 B1 * 9/2003 Stack A63B 21/0004
 482/146
 7,011,612 B2 * 3/2006 Repking A63B 22/16
 482/142
 7,134,990 B2 * 11/2006 Wischusen A63B 21/0004
 441/74
 7,300,392 B1 * 11/2007 Curran A63B 21/0004
 482/146
 D564,604 S * 3/2008 Mikail D21/688
 7,479,097 B2 * 1/2009 Rosborough A63B 22/16
 446/396
 7,488,177 B2 * 2/2009 Pearson A63B 69/0093
 434/247
 D587,774 S * 3/2009 Giannatos D21/761
 D588,224 S * 3/2009 Giannatos D21/761
 D588,225 S * 3/2009 Giannatos D21/761

(Continued)

Primary Examiner — Robert M Spear
Assistant Examiner — Ryan Harvey
 (74) *Attorney, Agent, or Firm* — Kirk A. Buhler; Buhler & Associates

(57) **CLAIM**

The ornamental design for a tipping exercise board, as shown and described.

DESCRIPTION

FIG. 1 is a top perspective view for a tipping exercise board showing my new design;

(Continued)

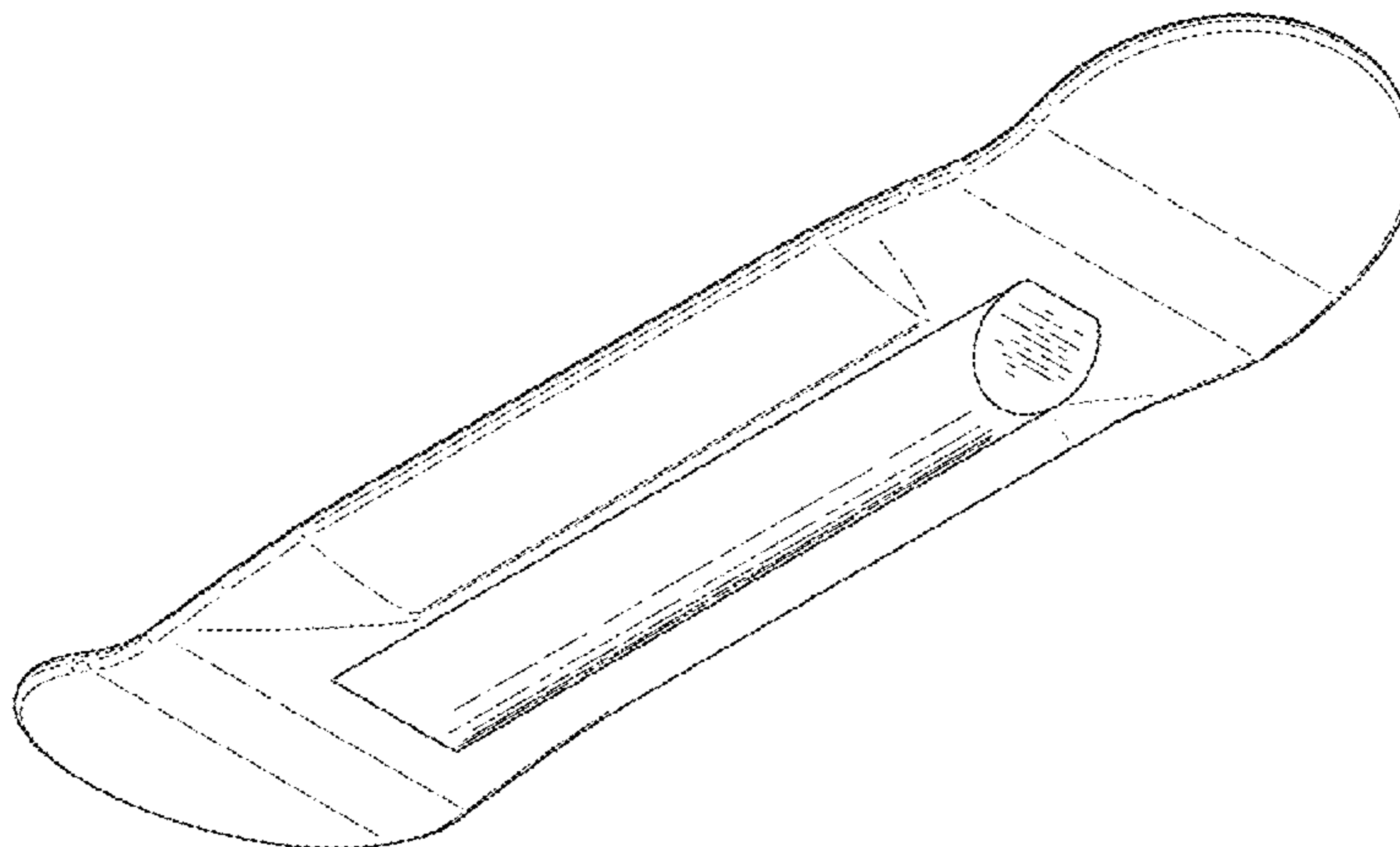


FIG. 2 is a top perspective view thereof;
 FIG. 3 is a front side view thereof;
 FIG. 4 is a back side view thereof;
 FIG. 5 is a top side view thereof;
 FIG. 6 is a bottom side view thereof;
 FIG. 7 is a left side view thereof; and,
 FIG. 8 is a right side view thereof.

1 Claim, 4 Drawing Sheets

(56)

References Cited

U.S. PATENT DOCUMENTS

7,632,218 B2 *	12/2009	Sannes	A63B 22/18	482/146
D608,851 S	1/2010	Hillman			
D635,615 S *	4/2011	Foster	D21/324	
7,976,034 B1 *	7/2011	Hong	A63C 17/01	280/87.042
D645,910 S *	9/2011	Foster	D14/496	
D659,776 S *	5/2012	Zydiak	D21/688	
D695,367 S *	12/2013	Lovegrove	D21/671	
8,734,308 B1 *	5/2014	Joslin	A63B 22/16	482/142
D724,163 S *	3/2015	Kelley	D21/694	
D724,166 S	3/2015	Hamborg et al.			
D731,200 S	6/2015	Andersen			
D734,411 S	7/2015	Powers et al.			
D736,549 S	8/2015	Andersen			
D740,381 S *	10/2015	Heath	D21/688	
D745,938 S *	12/2015	Joslin	D21/662	
2001/0006926 A1 *	7/2001	Schwickrath	A63B 21/0004	482/105
2014/0228187 A1 *	8/2014	Moscarello	A63B 26/003	482/142
2015/0351573 A1 *	12/2015	Heath	A63B 22/16	428/78

* cited by examiner

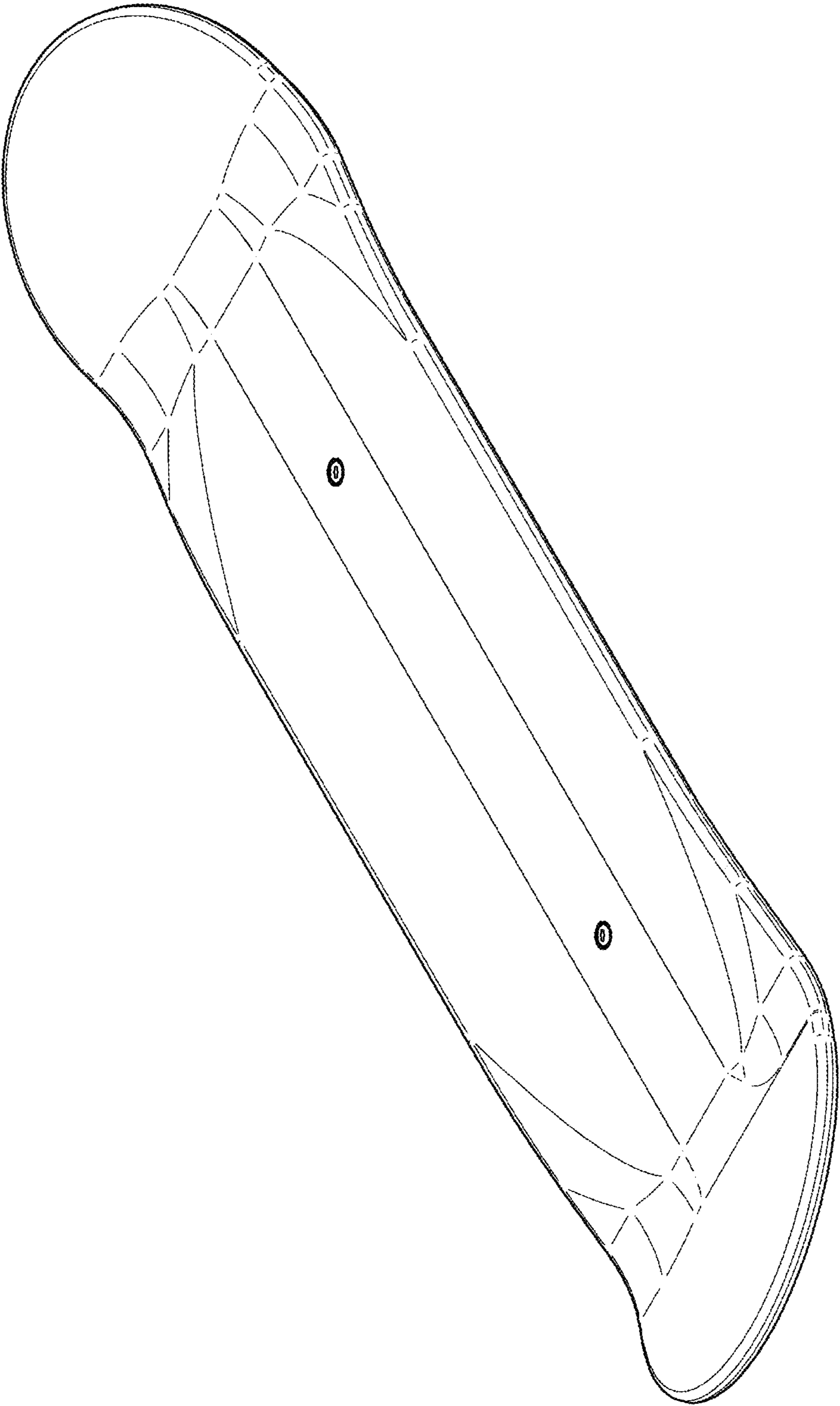


FIG. 1

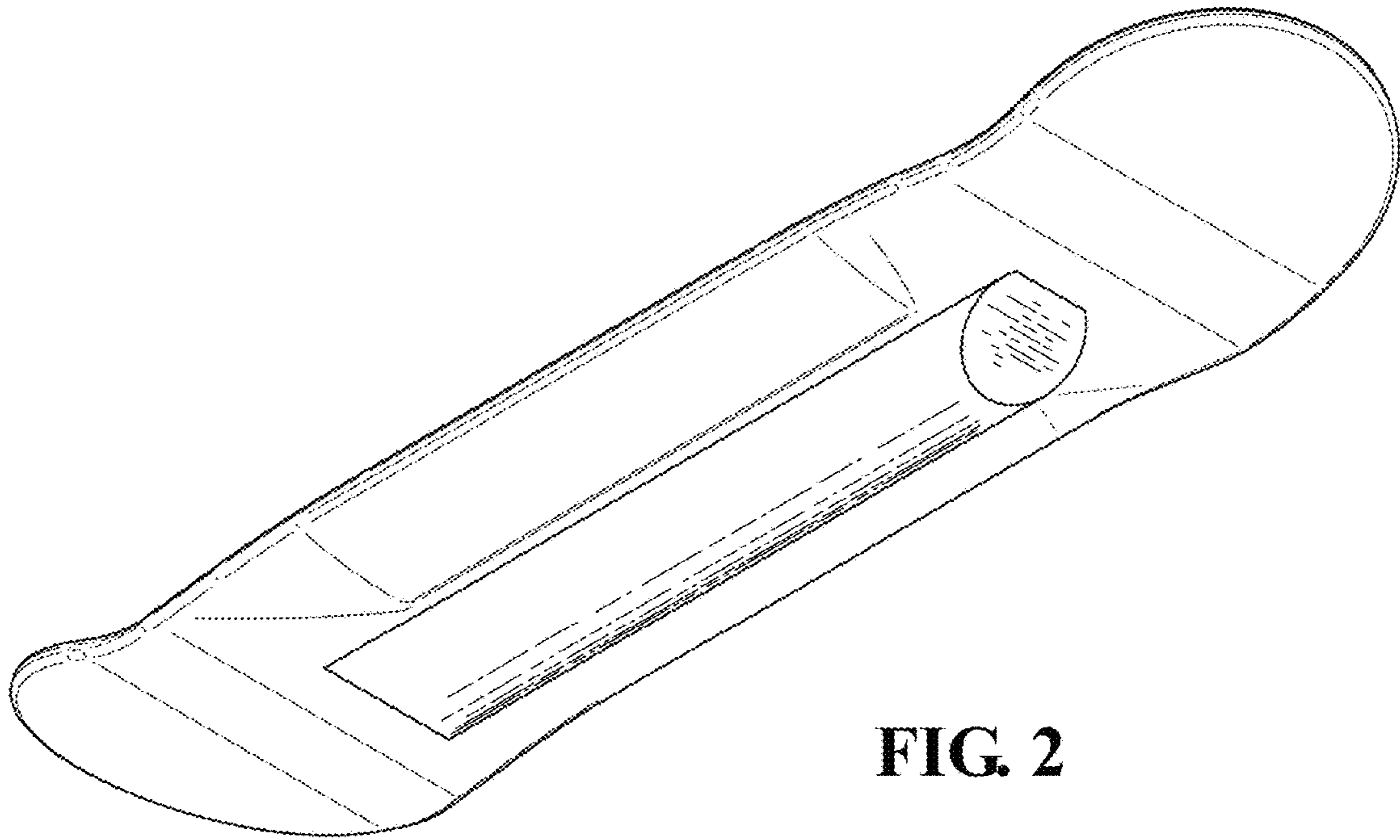


FIG. 2

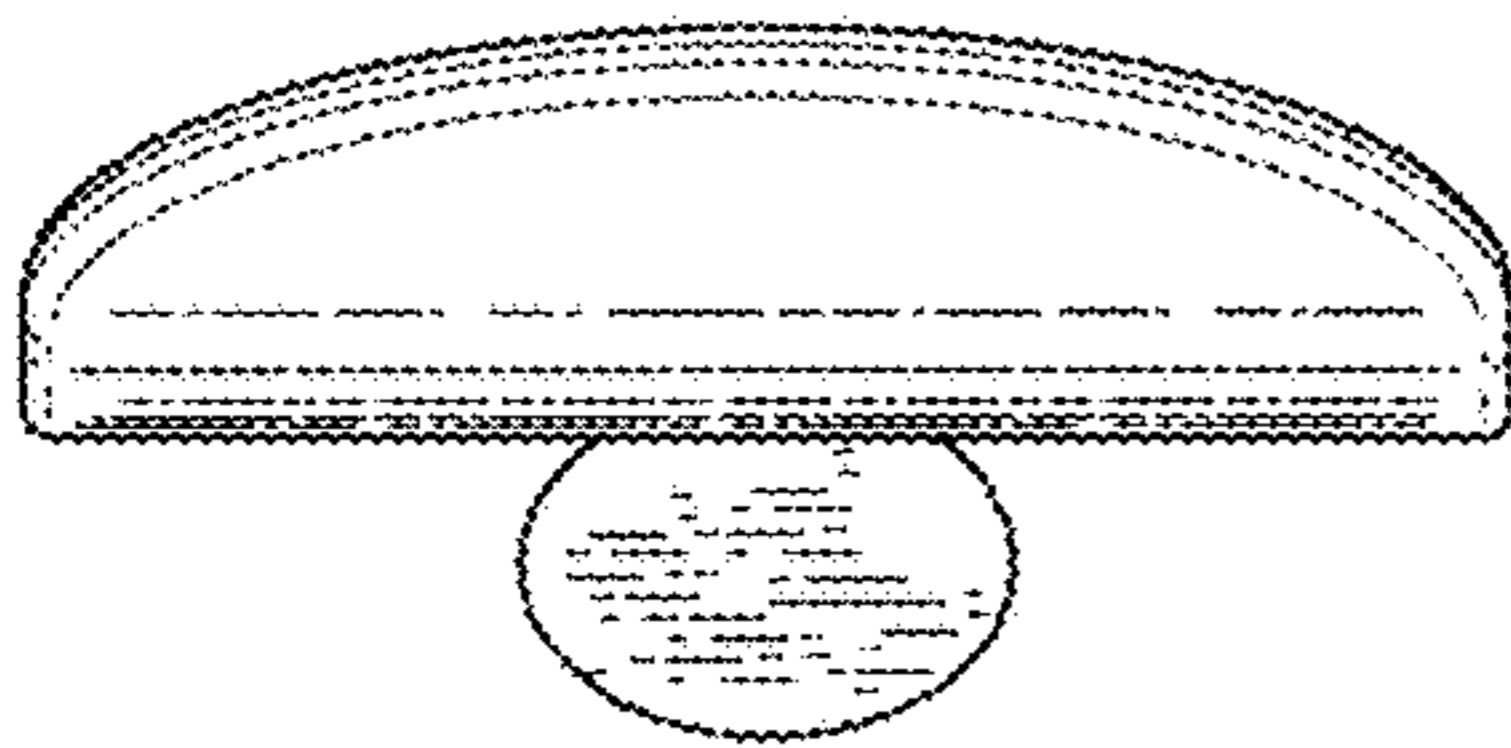


FIG. 3

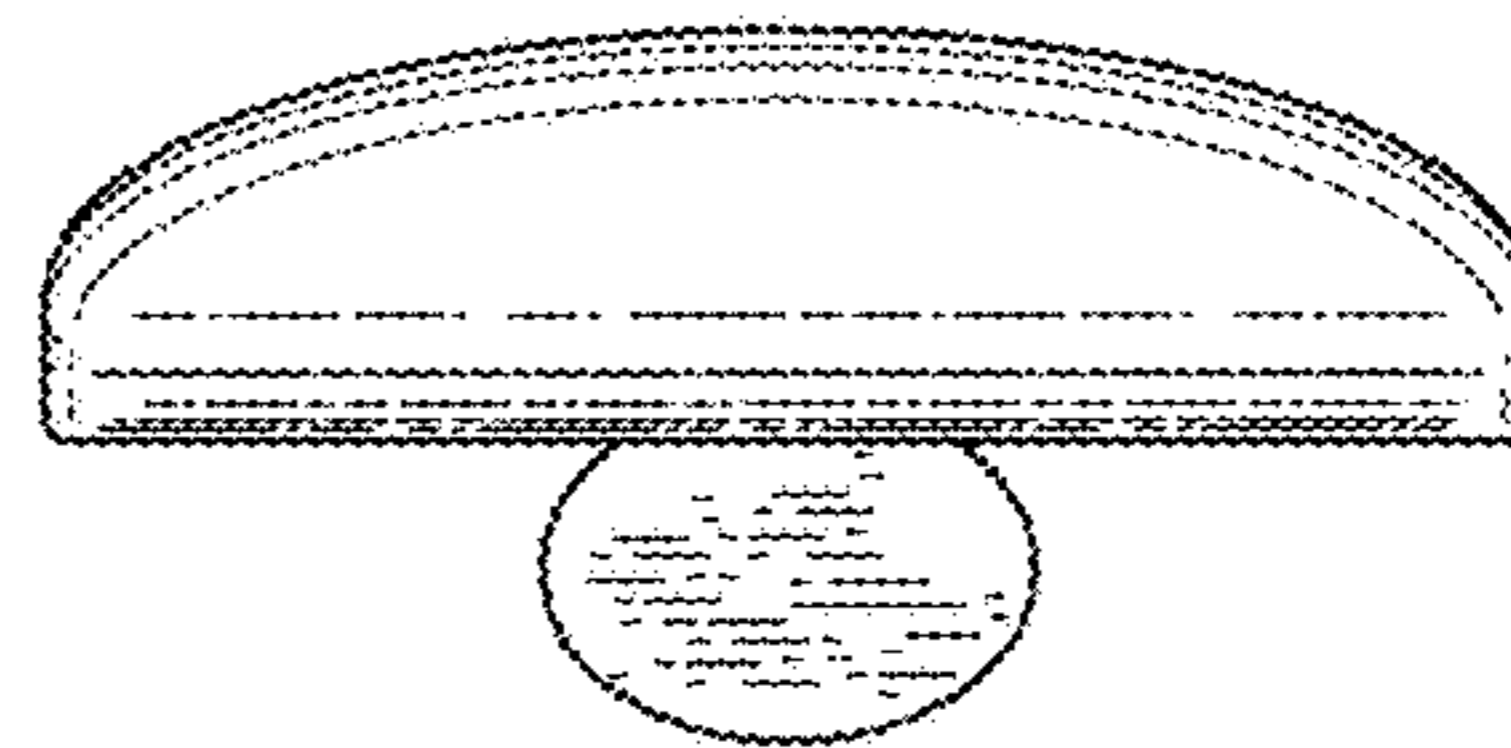


FIG. 4

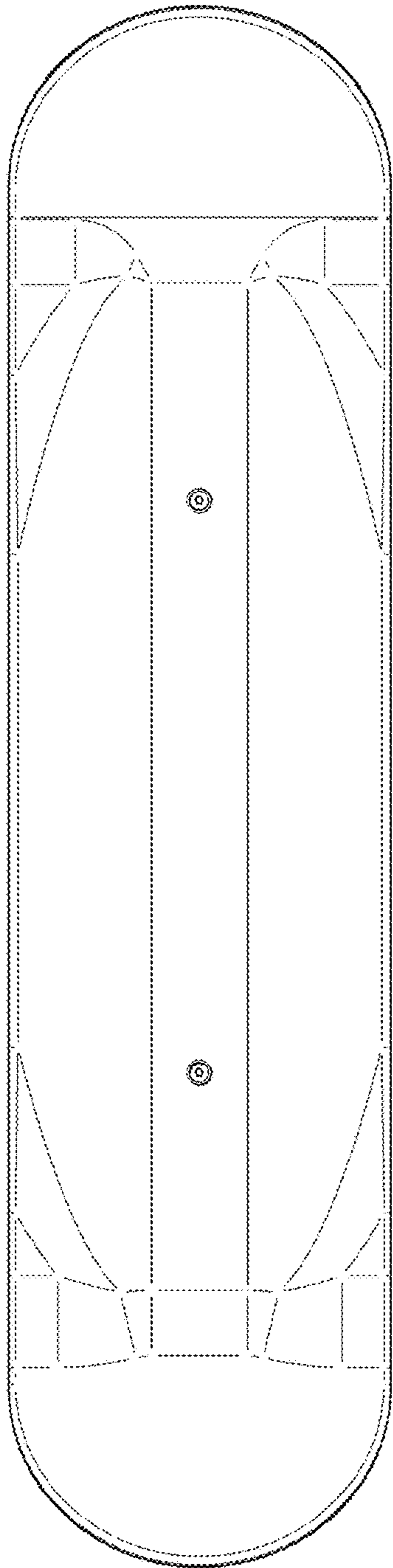


FIG. 5

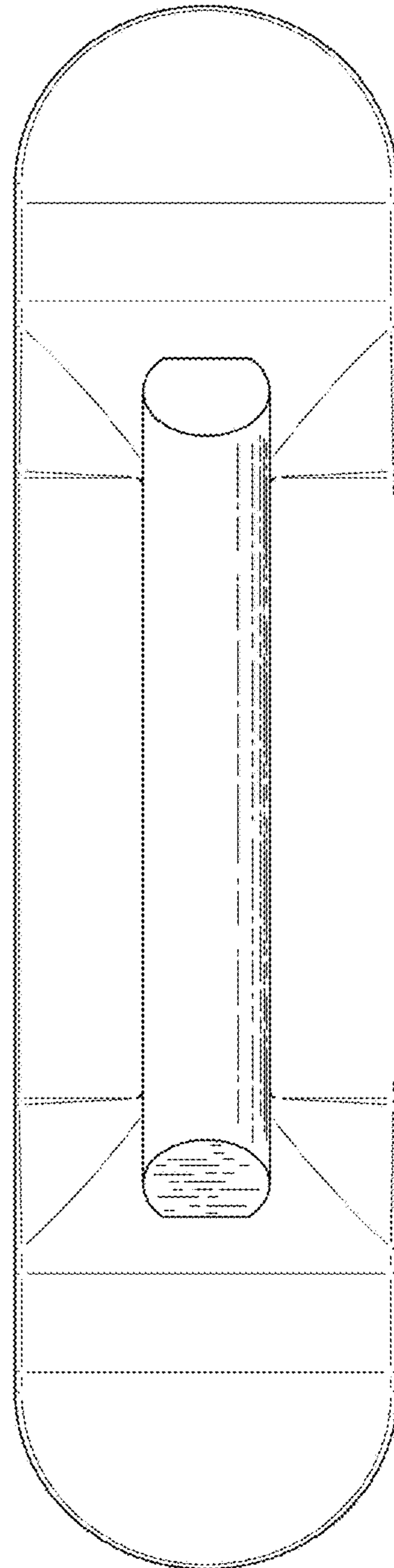


FIG. 6

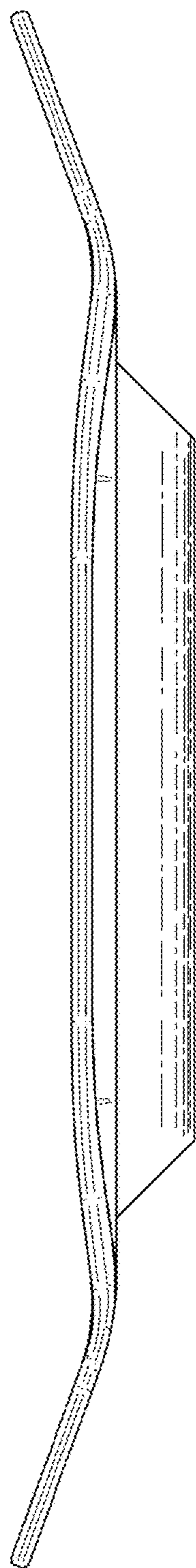


FIG. 7

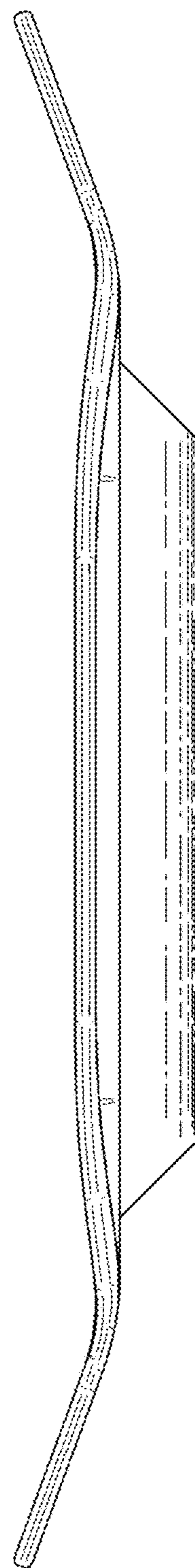


FIG. 8