



US00D777846S

(12) **United States Design Patent**
Greaves et al.

(10) **Patent No.:** **US D777,846 S**

(45) **Date of Patent:** **** Jan. 31, 2017**

(54) **CONNECTOR ACCESSORY FOR TOY ROBOT**

(71) Applicant: **Play-i, Inc.**, San Mateo, CA (US)

(72) Inventors: **Mikal Greaves**, San Mateo, CA (US);
Vikas Gupta, San Mateo, CA (US);
Saurabh Gupta, San Mateo, CA (US)

(73) Assignee: **Play-i, Inc.**, San Mateo, CA (US)

(**) Term: **15 Years**

(21) Appl. No.: **29/527,477**

(22) Filed: **May 19, 2015**

(51) **LOC (10) Cl.** **21-01**

(52) **U.S. Cl.**
USPC **D21/578**

(58) **Field of Classification Search**
USPC D21/495, 499, 500, 621, 622;
446/268-274, 279, 280, 285, 289-292,
446/294, 297-303, 353-355, 376-384;
D15/199; 318/568.11, 568.12, 568.2
CPC B25J 9/00
See application file for complete search history.

(56) **References Cited**

U.S. PATENT DOCUMENTS

D641,805 S * 7/2011 Kichijo D21/495
D650,866 S * 12/2011 Clahsen D21/484
D672,402 S * 12/2012 Macadam D21/491

D688,328 S * 8/2013 Holm D21/484
D689,957 S * 9/2013 Jensen D21/503
D701,923 S * 4/2014 Jensen D21/500
D718,394 S * 11/2014 Weiss D21/500
D748,204 S * 1/2016 Simonds D21/500

* cited by examiner

Primary Examiner — Zenia Bennett

(74) *Attorney, Agent, or Firm* — Jeffrey Schox; Diana Lin

(57) **CLAIM**

We claim the ornamental design for a connector accessory for a toy robot, as shown and described.

DESCRIPTION

FIG. 1 is an isometric view, from the top left, of a first embodiment of the connector accessory.

FIG. 2 is an isometric view, from the bottom right, of the first embodiment of the connector accessory.

FIG. 3 is an elevation view of the left of the first embodiment of the connector accessory.

FIG. 4 is a plan view of the top side of the first embodiment of the connector accessory.

FIG. 5 is an elevation view of the front of the first embodiment of the connector accessory.

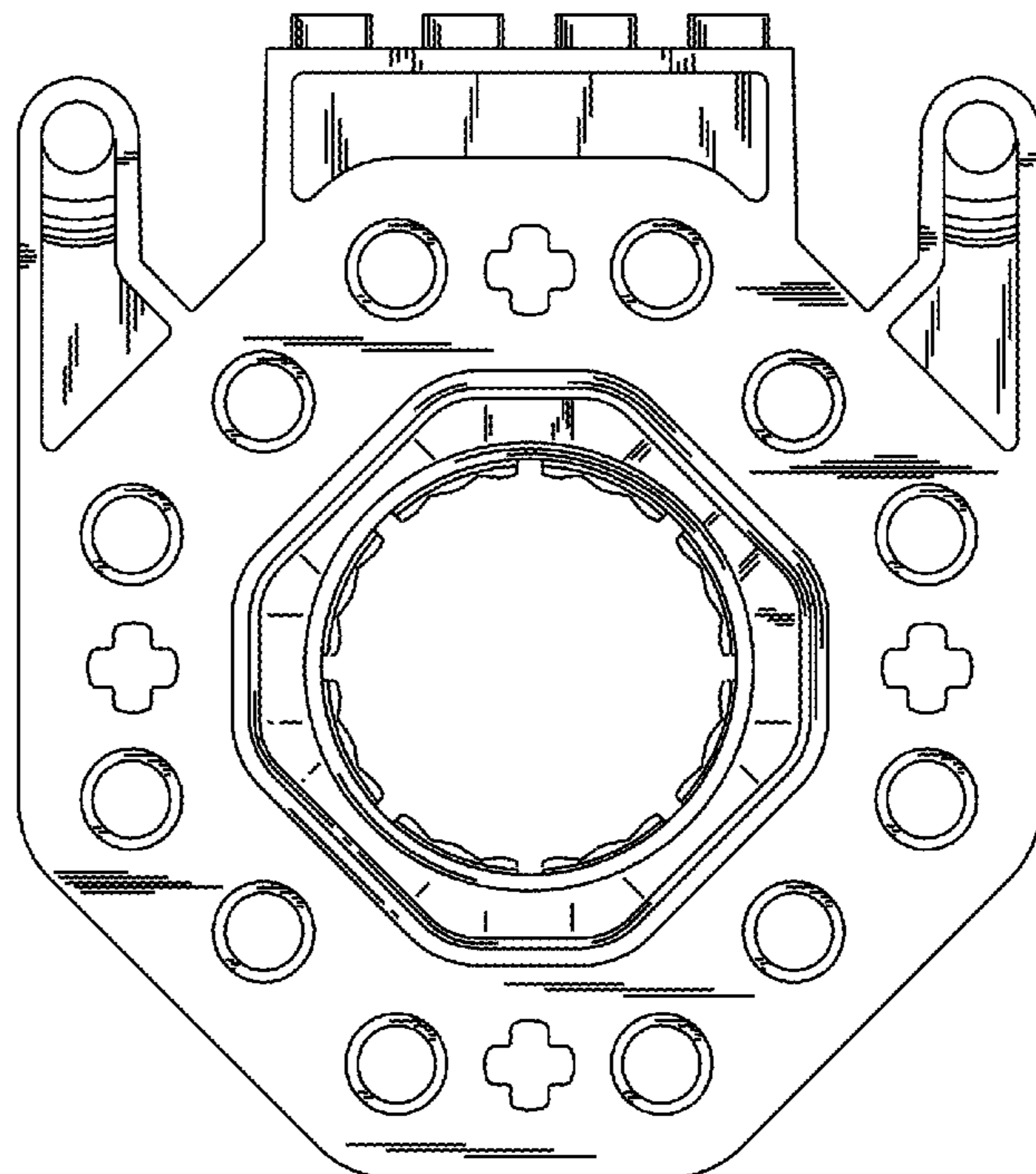
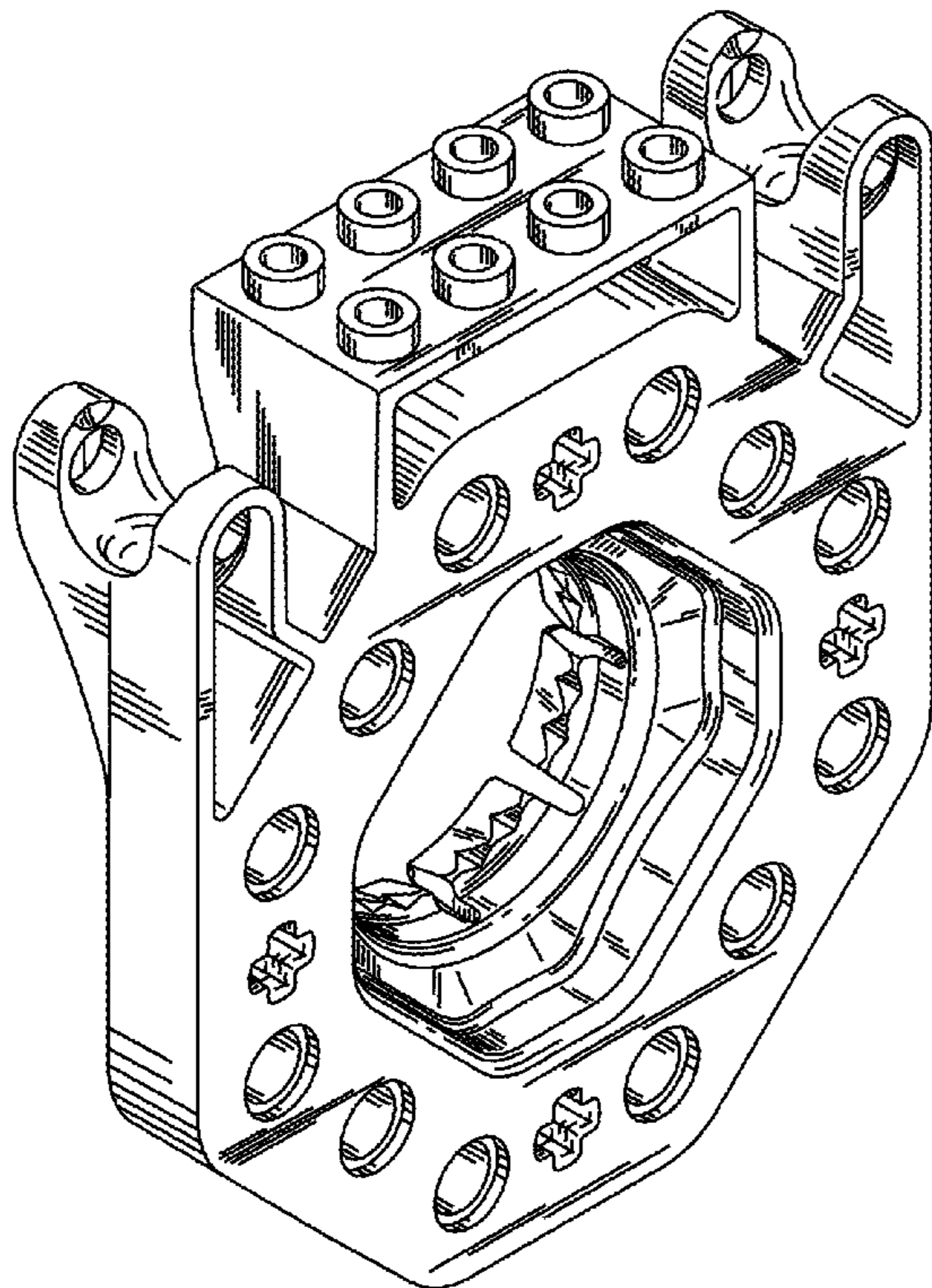
FIG. 6 is an elevation view of the right of the first embodiment of the connector accessory.

FIG. 7 is an elevation view of the back of the first embodiment of the connector accessory.

FIG. 8 is a plan view of the bottom of the first embodiment of the connector accessory; and,

FIG. 9 is an isometric view the first embodiment of the connector accessory connected to a toy robot.

1 Claim, 4 Drawing Sheets



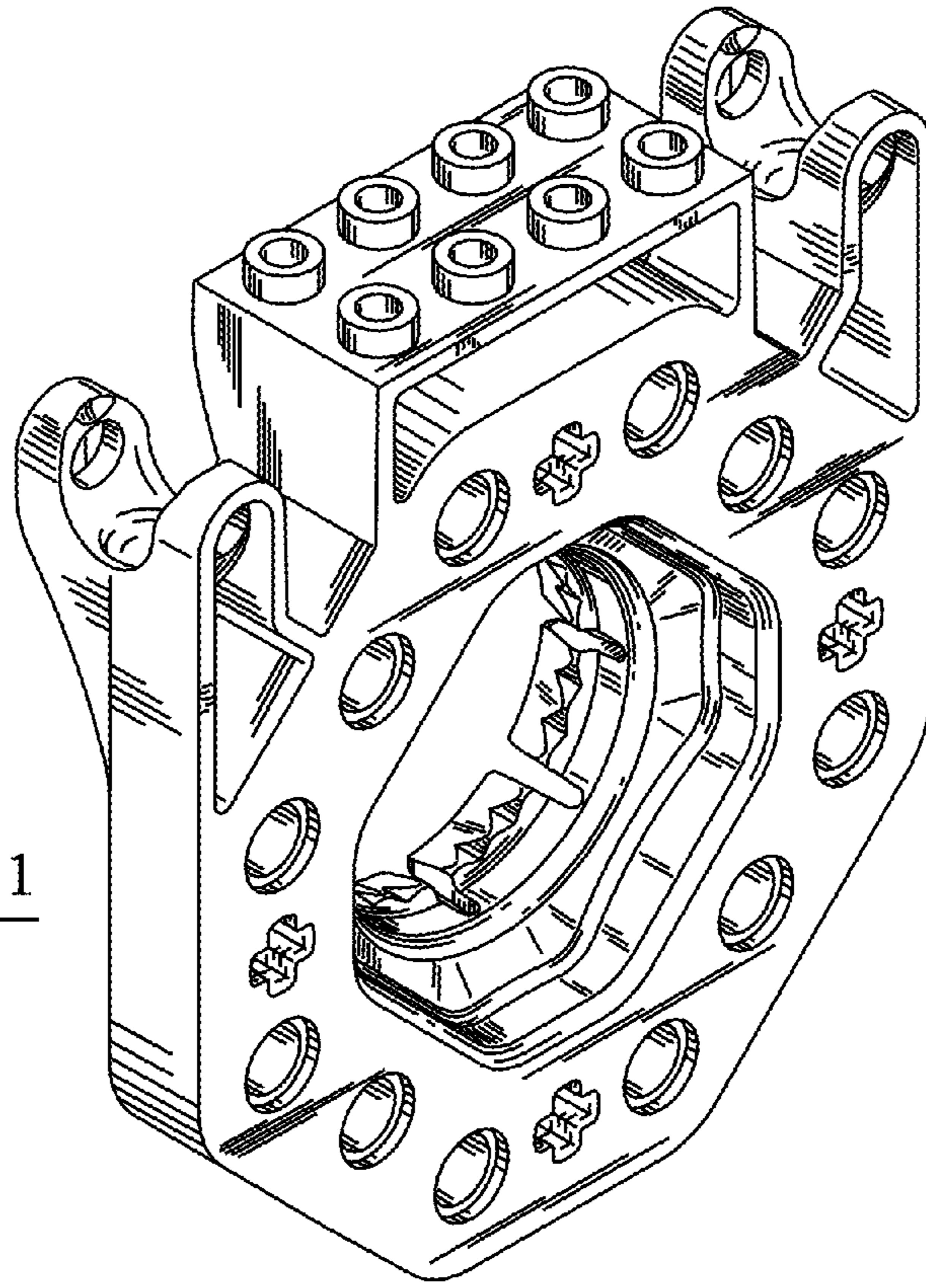


FIG. 1

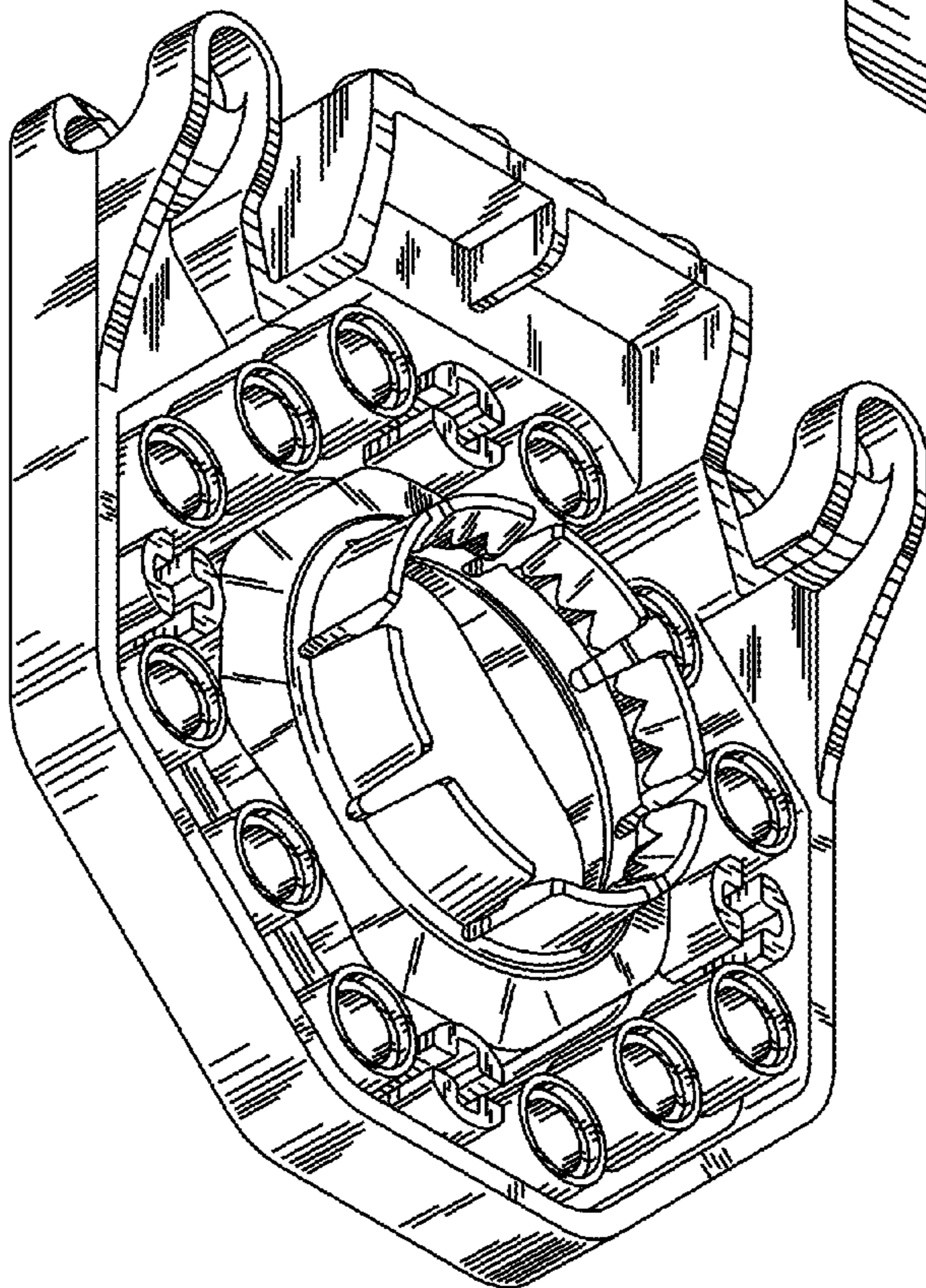


FIG. 2

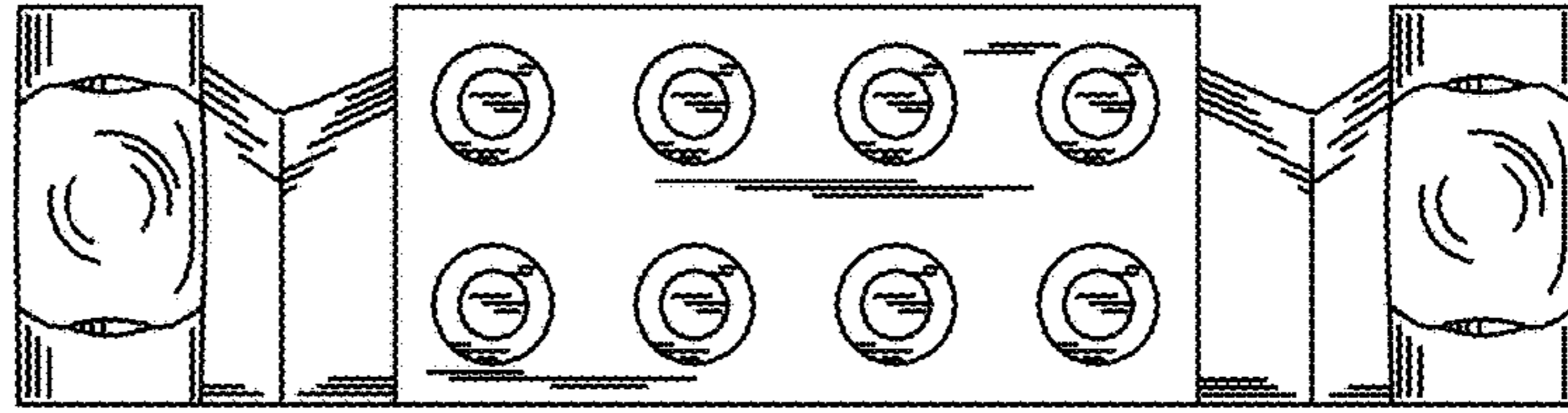


FIG. 4

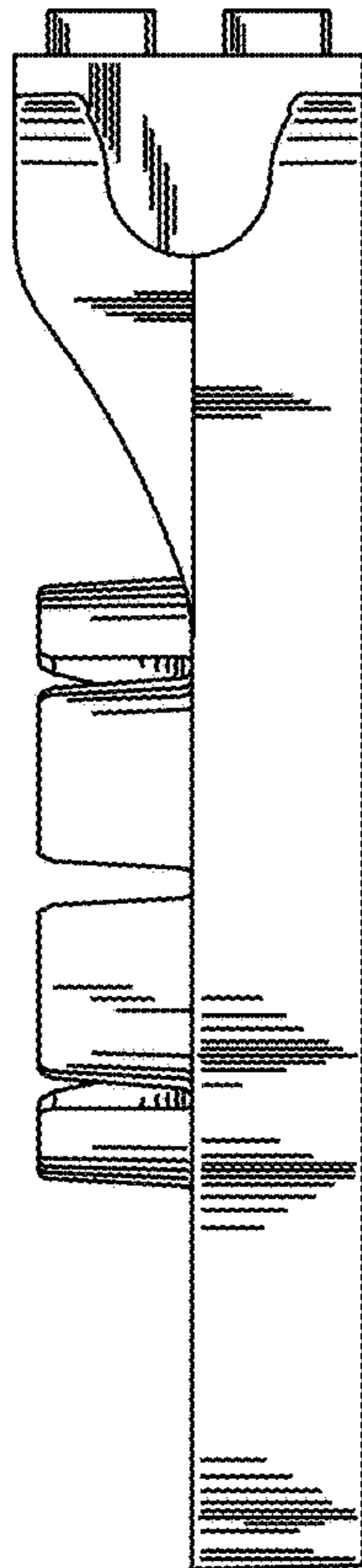


FIG. 3

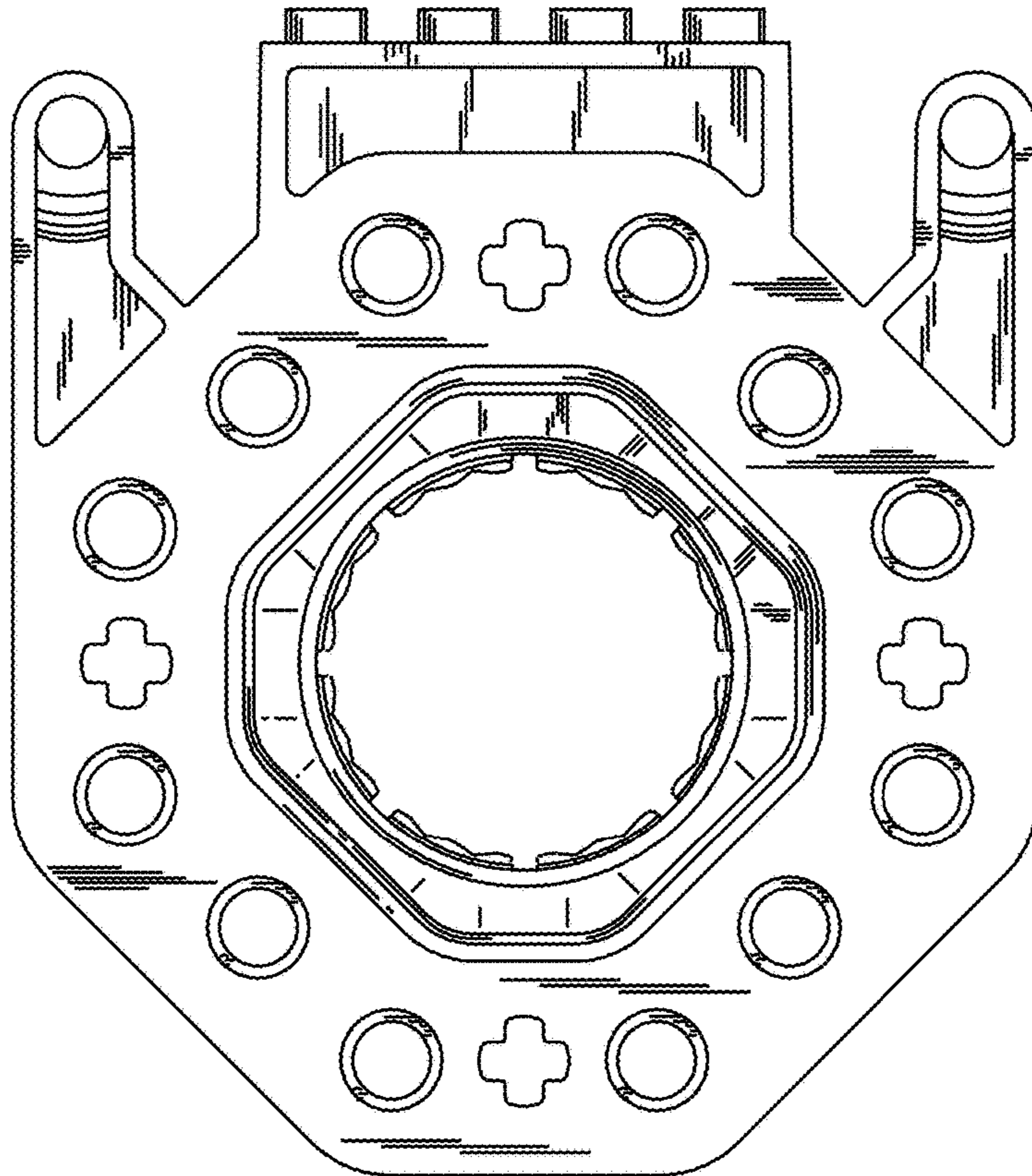


FIG. 5

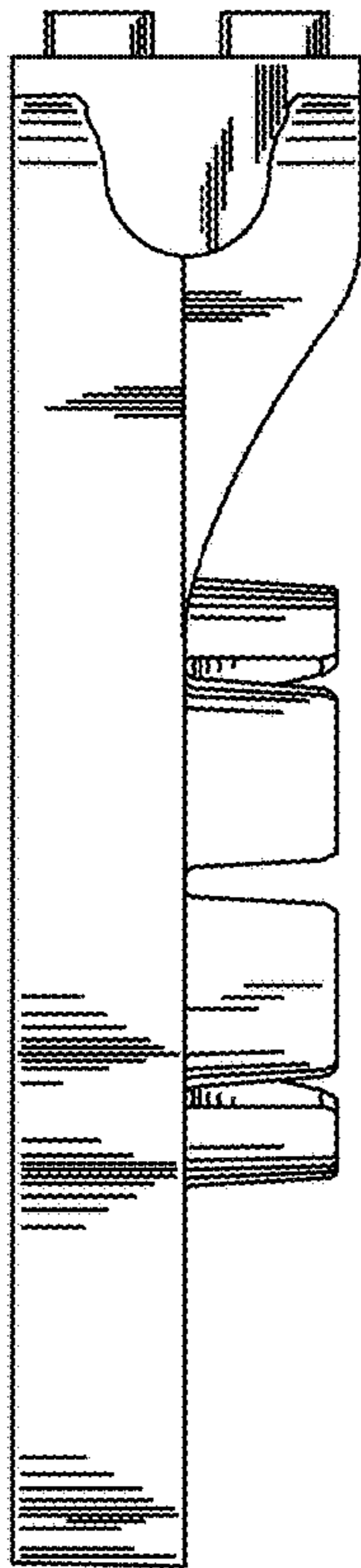


FIG. 6

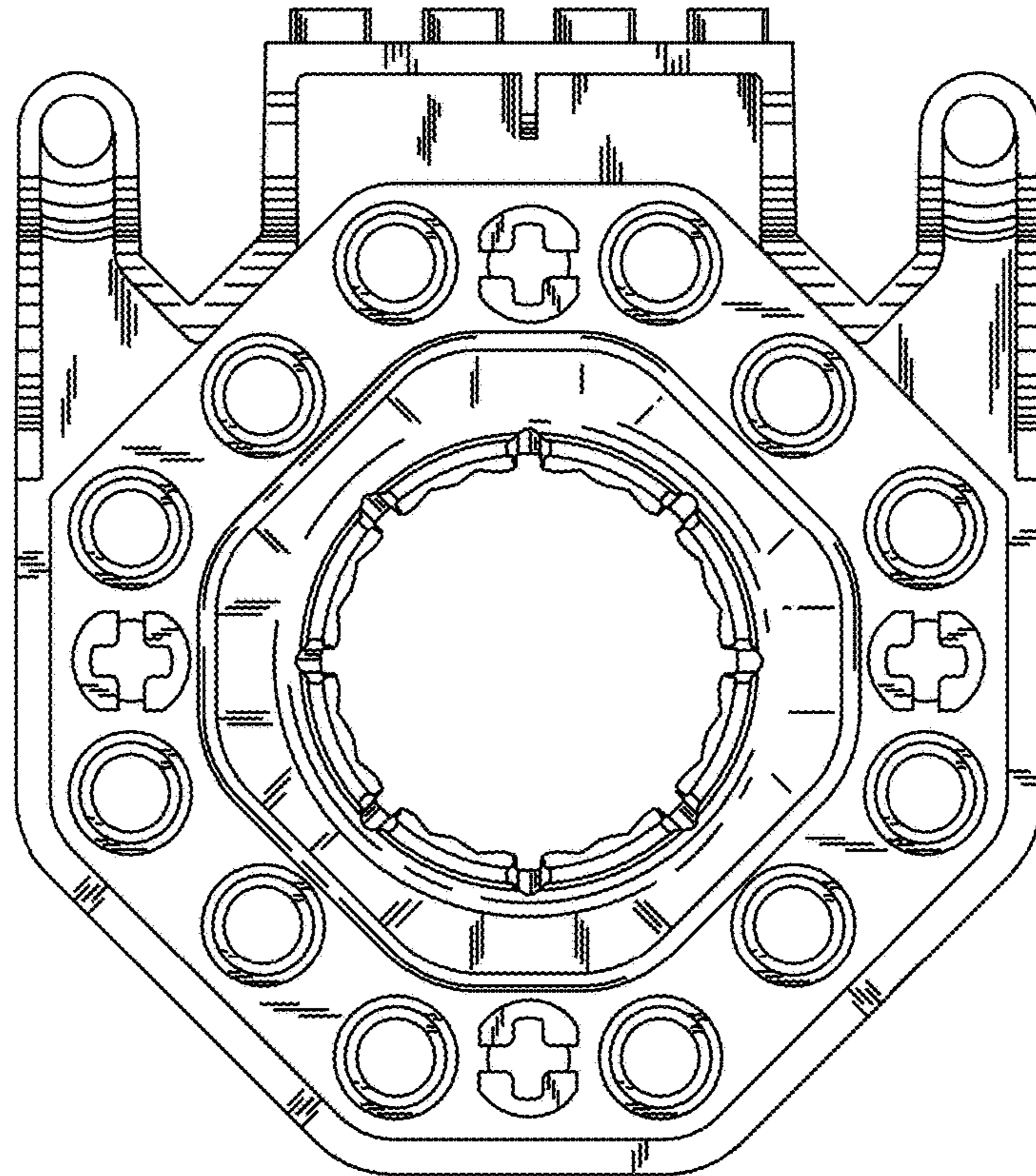


FIG. 7

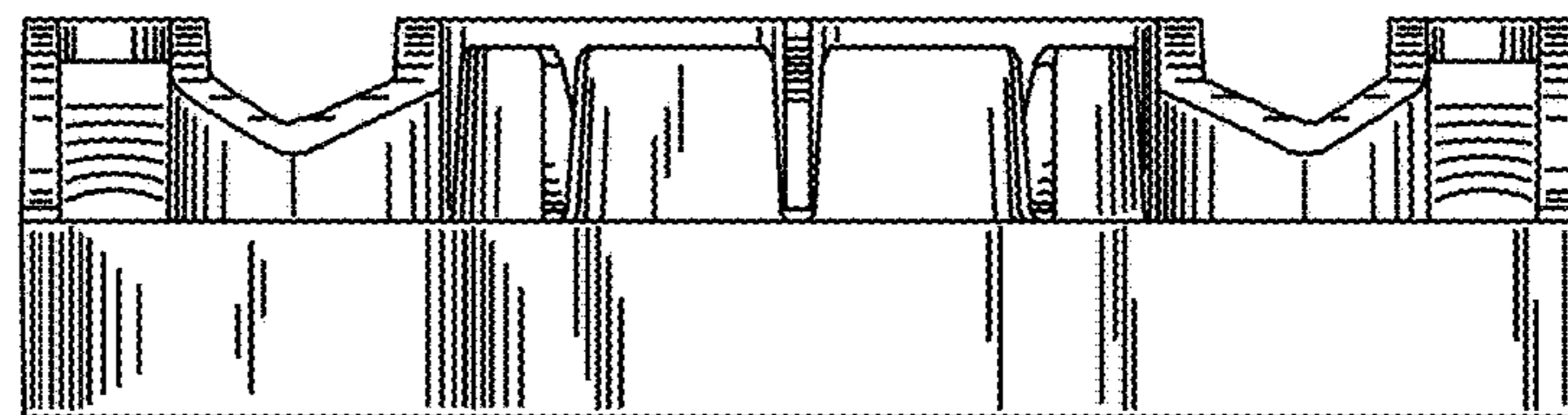


FIG. 8

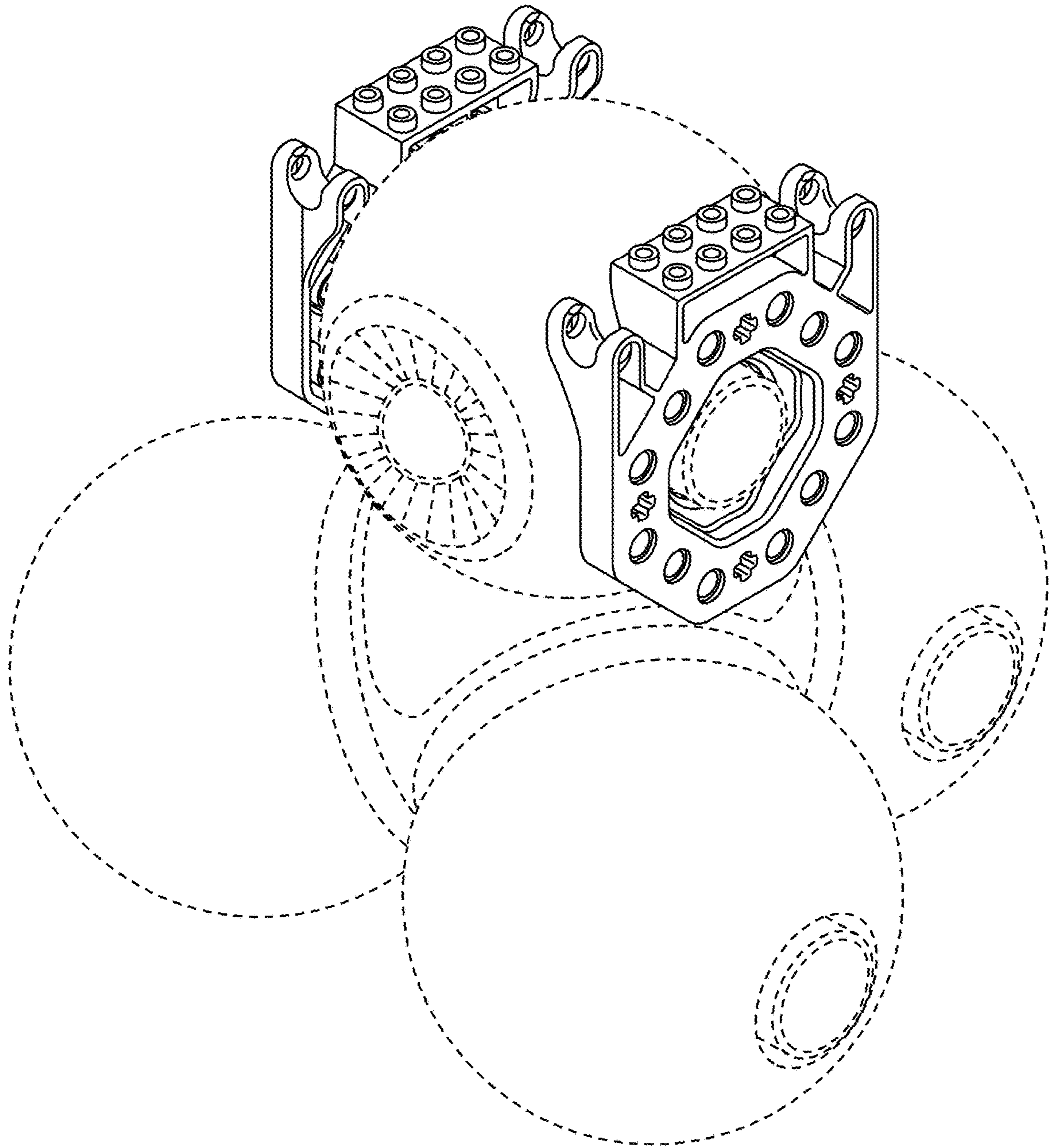


FIG. 9