



US00D777844S

(12) **United States Design Patent**
O Connell

(10) **Patent No.:** **US D777,844 S**
(45) **Date of Patent:** **** Jan. 31, 2017**

(54) **SCOOTER**
(71) Applicant: **YVOLVE SPORTS LTD.**, Dublin (IE)
(72) Inventor: **Thomas O Connell**, Castleblayney (IE)
(73) Assignee: **YVOLVE SPORTS LTD.**, Dublin (IE)

(**) Term: **15 Years**

(21) Appl. No.: **29/539,418**

(22) Filed: **Sep. 14, 2015**

(51) **LOC (10) Cl.** **21-01**

(52) **U.S. Cl.**
USPC **D21/423**

(58) **Field of Classification Search**
USPC D21/419, 421, 423, 426-428, 435,
D21/668-671, 760, 765, 771; D12/1, 8,
D12/108, 112, 113; 280/8, 14.21, 14.25,
D12/14.26, 280/87.041, 87.042, 200, 214,
280/220, 221, 239, 263, 288.1, 288.2,
280/288.4, 809; 180/180, 181, 227, 228
CPC B62K 3/002; B62K 9/00; B62K 9/02;
B62K 13/00; B62K 2202/00
See application file for complete search history.

(56) **References Cited**

U.S. PATENT DOCUMENTS

4,084,831	A	4/1978	Akonteh
4,094,524	A	6/1978	Carroll
4,300,781	A	11/1981	Riggs
4,526,389	A	7/1985	Chase
6,123,348	A	9/2000	Miller
6,234,501	B1	5/2001	Chen
6,270,095	B1	8/2001	Chang

6,283,485	B1	9/2001	Tsai	
6,378,880	B1	4/2002	Lin	
6,450,517	B1	9/2002	Lee	
7,156,405	B1	1/2007	Ming	
7,597,333	B2	10/2009	Stillinger	
7,914,011	B1	3/2011	Bromer	
8,371,594	B2	2/2013	Palmer	
8,500,136	B2	8/2013	Palmer	
8,696,000	B1*	4/2014	Chen	B62K 3/002 280/11.28
D728,033	S*	4/2015	O'connell	D21/423
D738,435	S*	9/2015	O'Connell	D21/423
D748,738	S*	2/2016	Hadley	D21/423
D756,464	S*	5/2016	Edlauer	D21/423
2005/0280223	A1	12/2005	Su	
2010/0059956	A1	3/2010	Stillinger	
2014/0042717	A1*	2/2014	Chan	B62K 3/002 280/5.509

* cited by examiner

Primary Examiner — Cynthia M Chin

(74) *Attorney, Agent, or Firm* — Millman IP Inc.

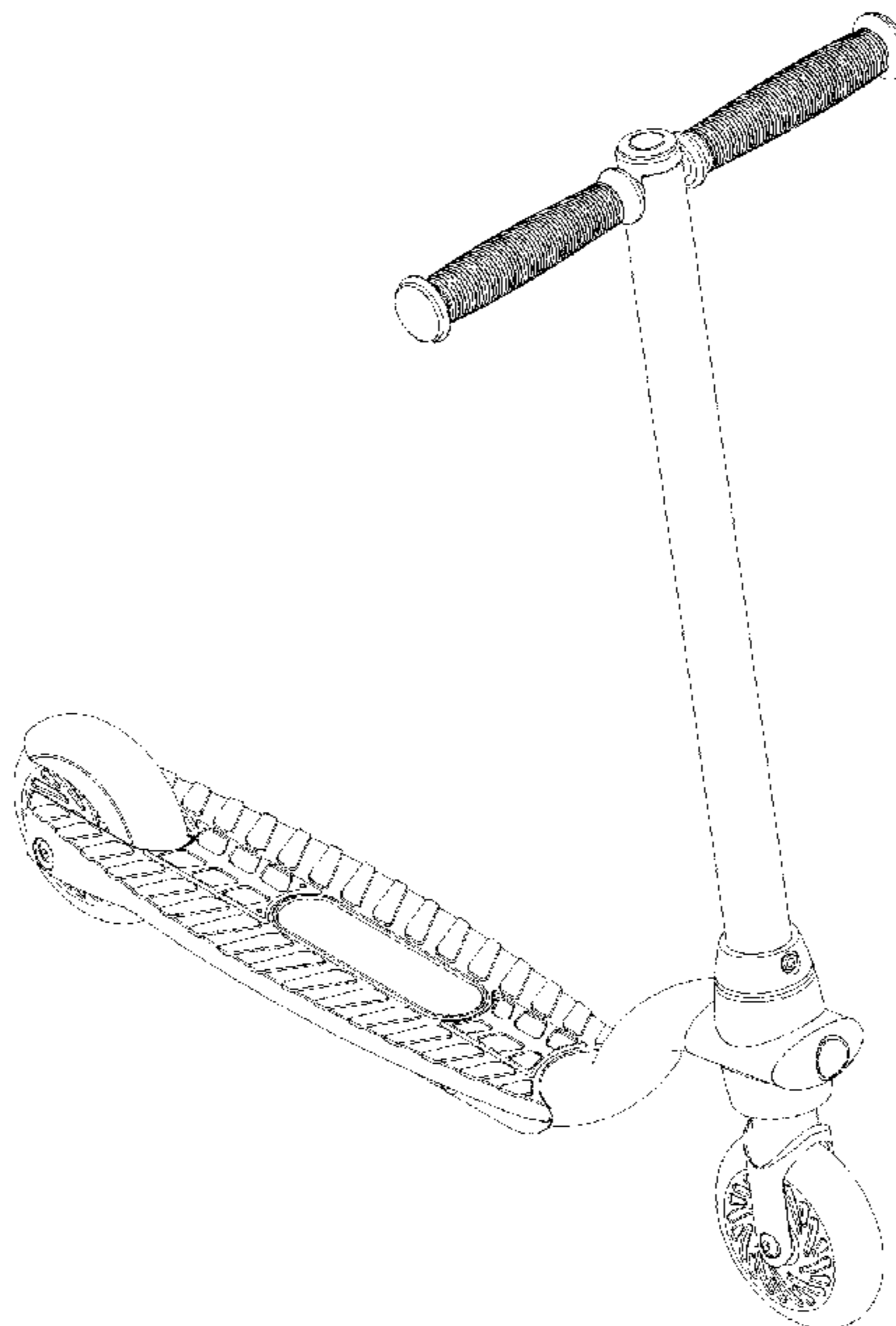
(57) **CLAIM**

The ornamental design for a scooter, as shown and described.

DESCRIPTION

FIG. 1 is a perspective view from above and to one side of the new design for a scooter;
FIG. 2 is a front elevation view thereof;
FIG. 3 is a rear elevation view thereof;
FIG. 4 is a right side elevation view thereof;
FIG. 5 is a left side elevation view thereof;
FIG. 6 is a top side elevation view thereof; and,
FIG. 7 is a bottom side elevation view thereof.

1 Claim, 5 Drawing Sheets



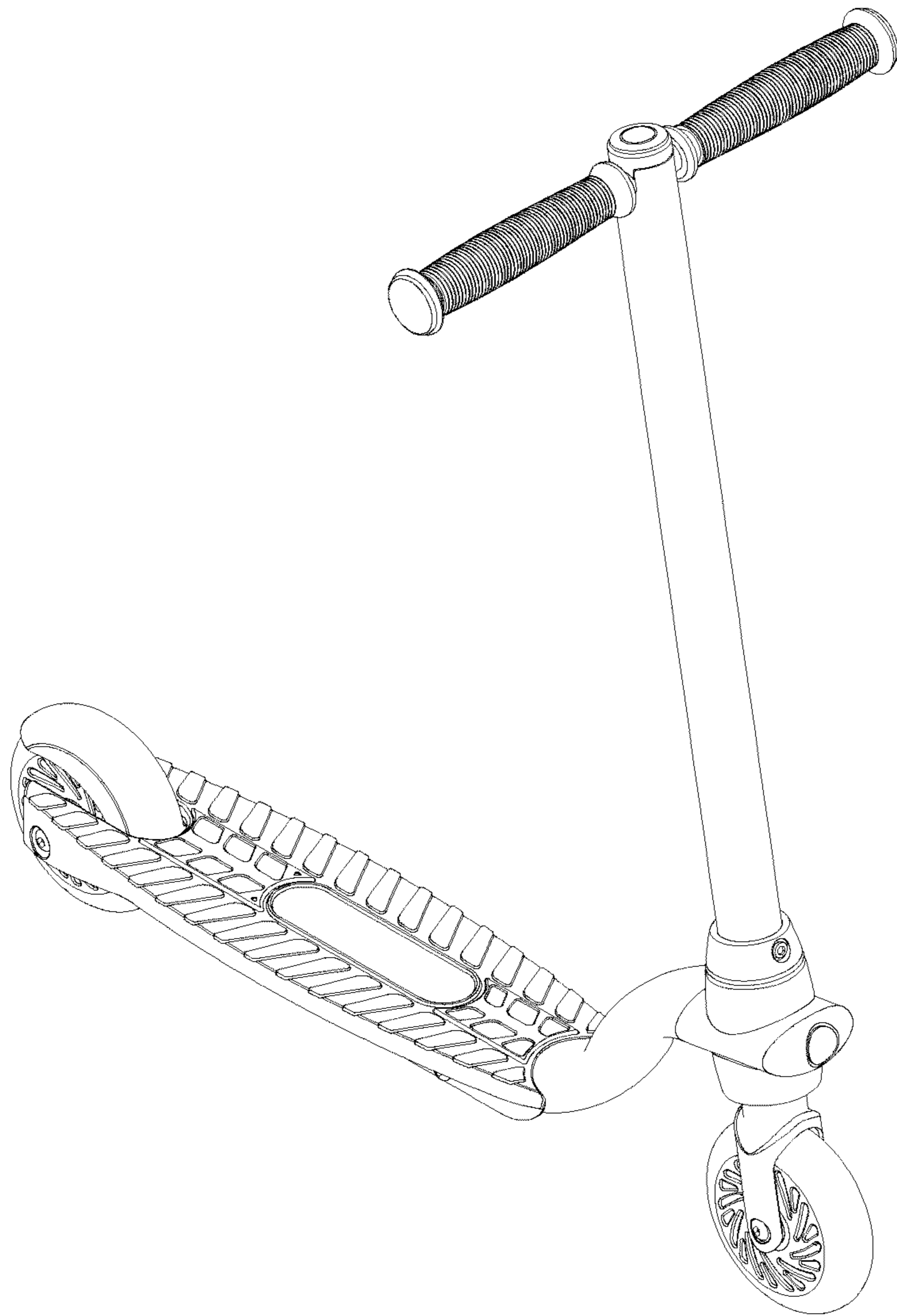


FIG 1

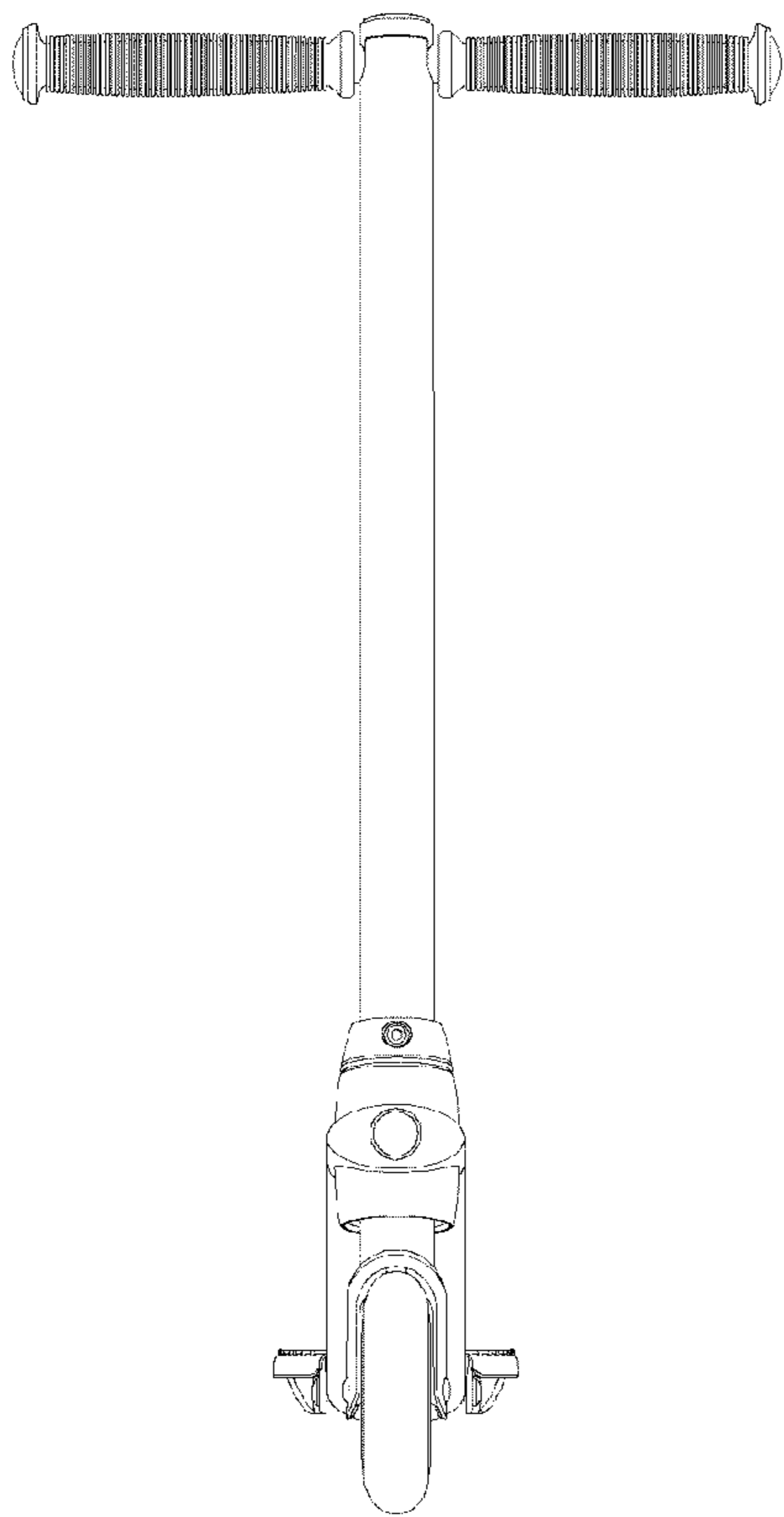


FIG 2

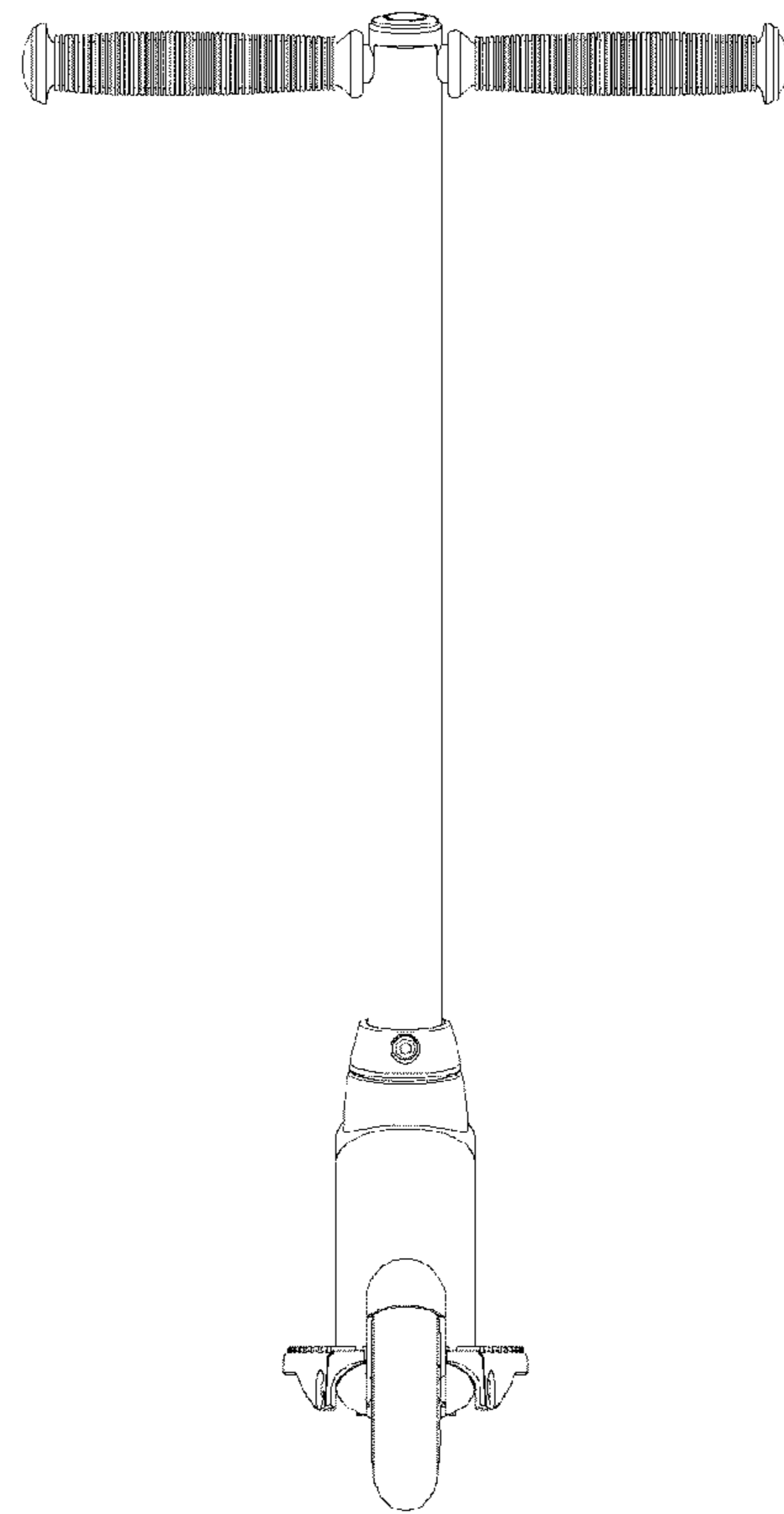


FIG 3

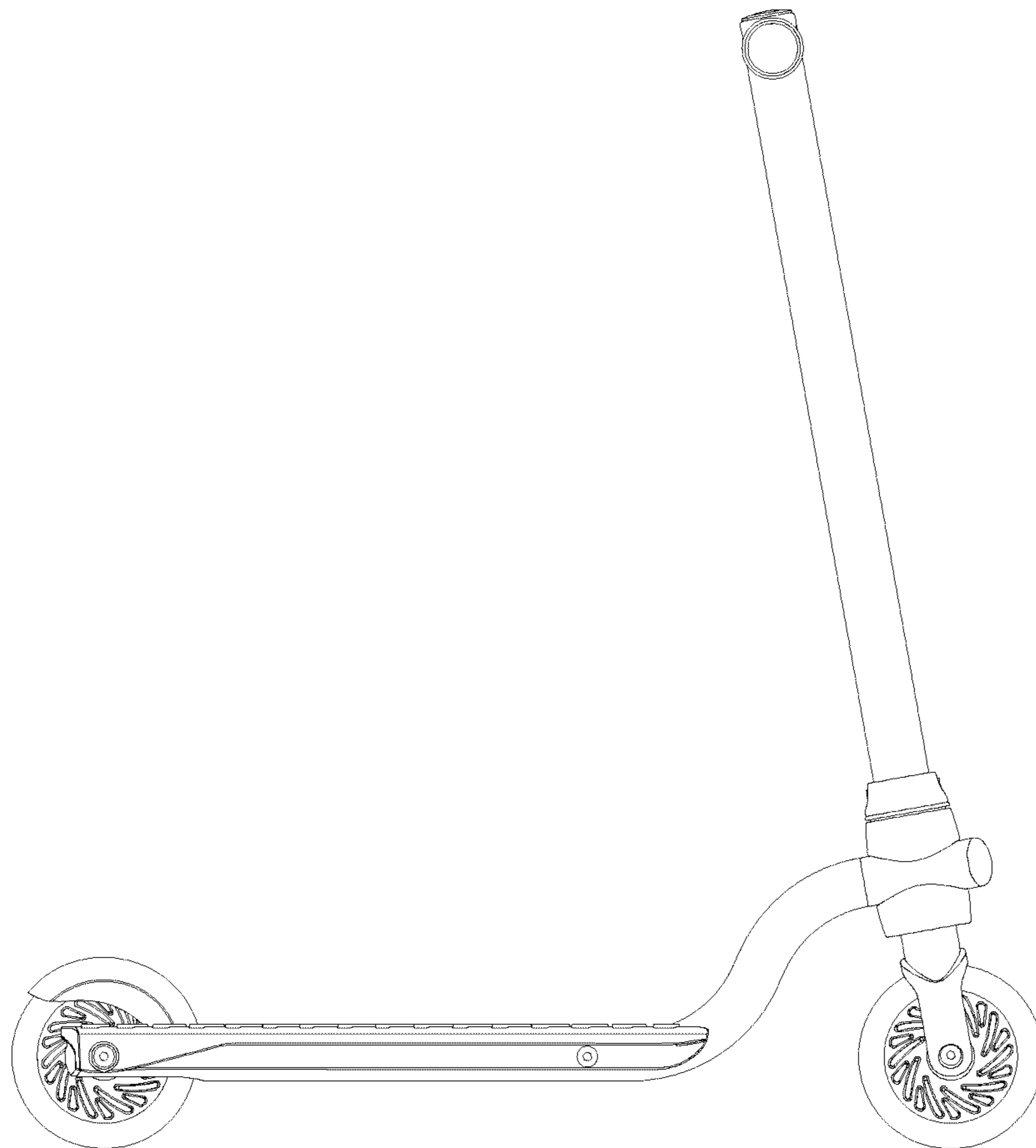


FIG 4

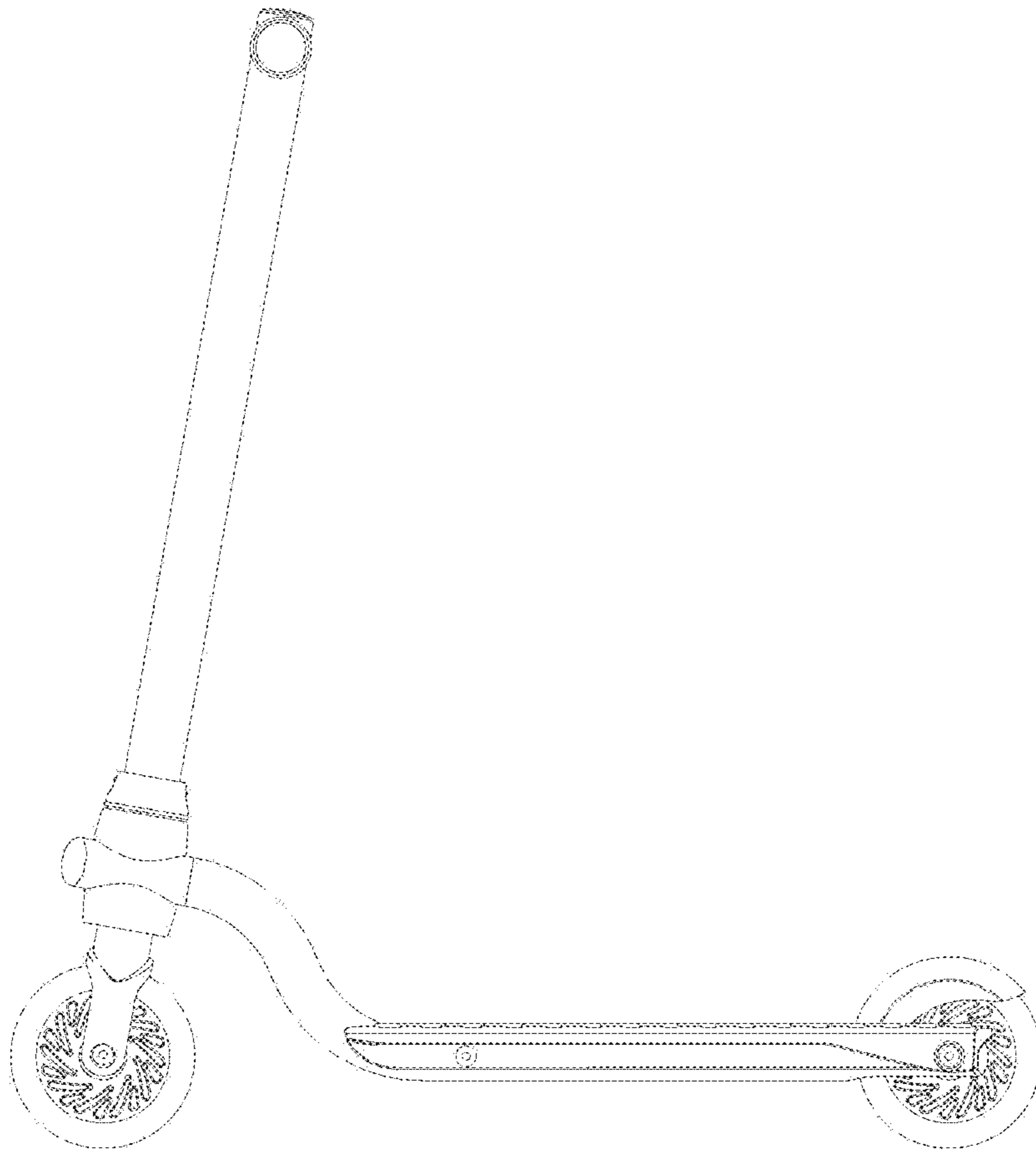


FIG 5

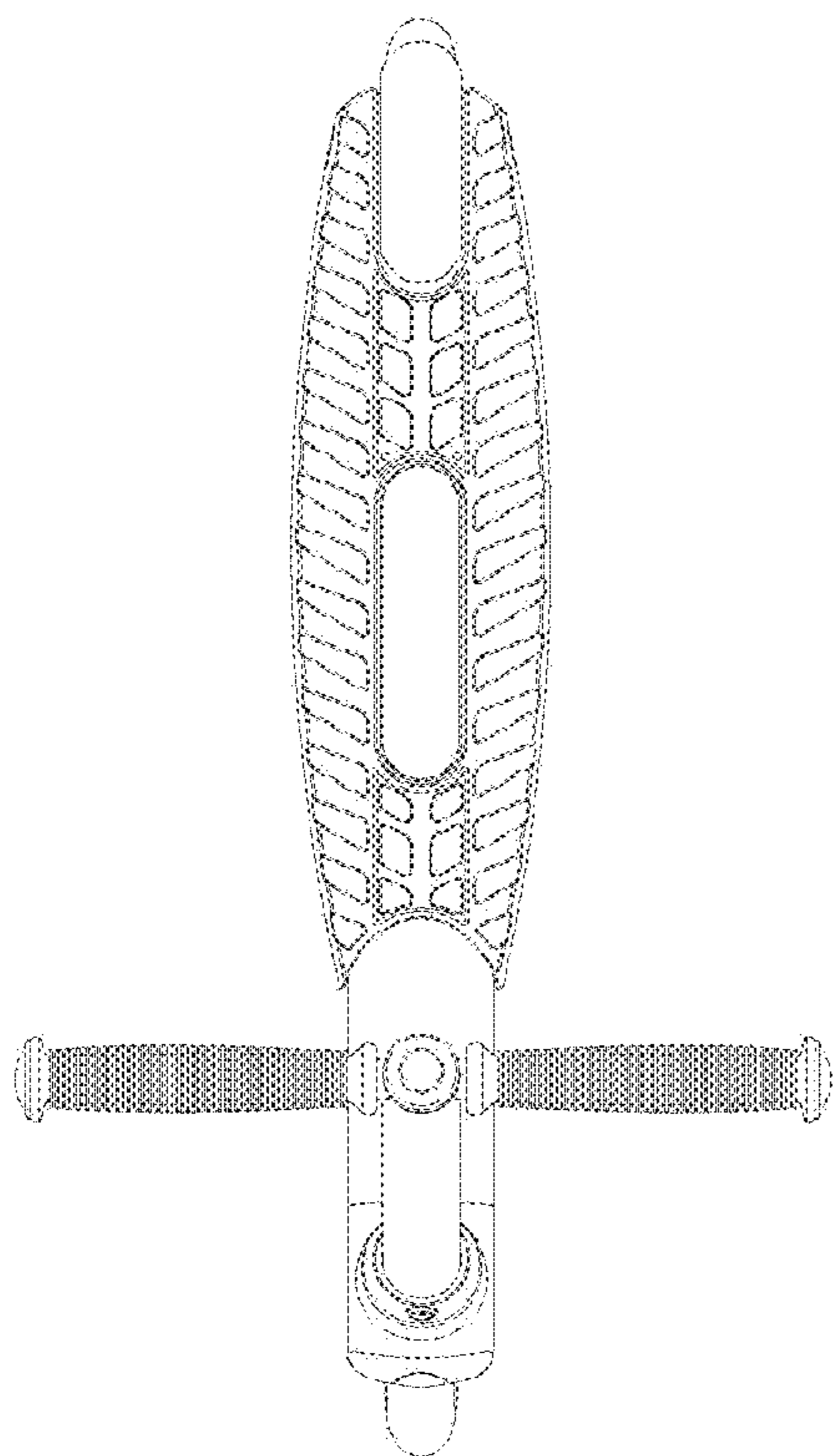


FIG 6

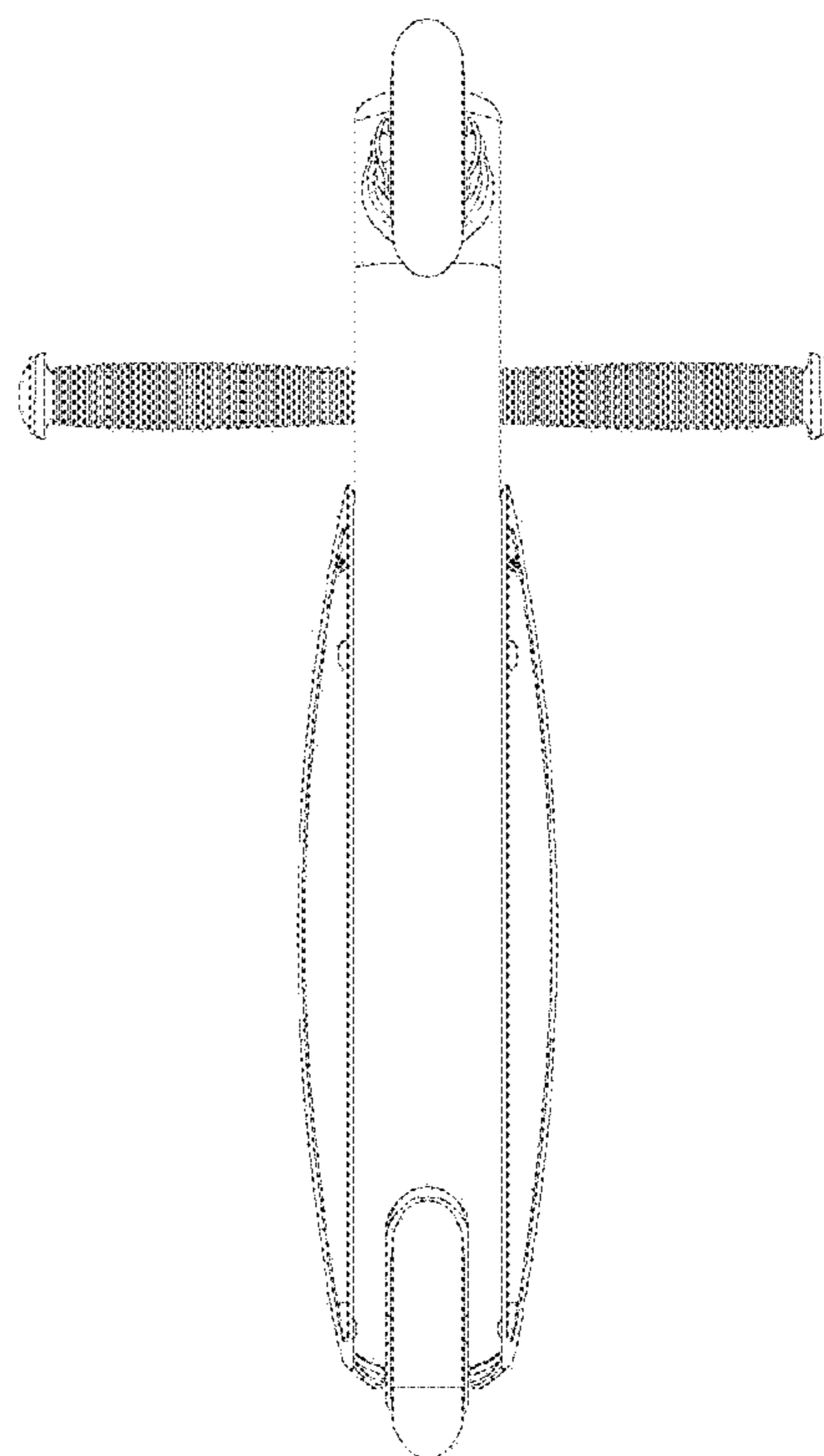


FIG 7