

US00D777842S

(12) **United States Design Patent**
Buller

(10) **Patent No.:** **US D777,842 S**
(45) **Date of Patent:** **** Jan. 31, 2017**

- (54) **SKIN COVER FOR AN XBOX ONE CONSOLE**
- (71) Applicant: **Jonathan Blake Buller**, Temecula, CA (US)
- (72) Inventor: **Jonathan Blake Buller**, Temecula, CA (US)
- (**) Term: **15 Years**
- (21) Appl. No.: **29/543,318**
- (22) Filed: **Oct. 22, 2015**
- (51) **LOC (10) Cl.** **21-01**
- (52) **U.S. Cl.**
USPC **D21/333; D14/401**
- (58) **Field of Classification Search**
USPC D14/399, 401, 412, 416; D21/324, 328, D21/332, 333; 273/148 B; 463/1, 29-39, 463/46, 47; 345/156-161, 905
CPC A63F 13/02; A63F 13/00; A63F 11/00; A63F 3/00; A63F 9/00; G06F 17/00; G06F 19/00; G06F 17/32; G05F 3/00
See application file for complete search history.

5,609,265 A *	3/1997	Haberkorn	B65D 25/34 150/901
5,711,836 A	1/1998	Hill	
6,074,721 A	6/2000	Moore et al.	
D452,282 S *	12/2001	Stewart	D21/333
D461,850 S *	8/2002	Hussaini	D21/333
6,578,303 B2	6/2003	Richards	
D488,909 S	4/2004	Burns	
D540,396 S *	4/2007	Kawanobe	D14/401
D542,856 S *	5/2007	Lim	D14/401
7,762,553 B2 *	7/2010	Harris	A63F 13/98 273/148 B
D655,758 S *	3/2012	Sunabe	D21/330
D704,343 S	5/2014	Inoo et al.	
D736,860 S *	8/2015	Lovoi	D14/401
D744,045 S *	11/2015	Buller	D14/401
D765,789 S *	9/2016	Buller	D21/333
D766,984 S *	9/2016	Chatterjee	D14/496

* cited by examiner

Primary Examiner — Prabhakar Deshmukh
(74) *Attorney, Agent, or Firm* — Kirk A. Buhler; Buhler & Associates

(57) **CLAIM**

The ornamental design for a skin cover for an Xbox one console, as shown and described.

DESCRIPTION

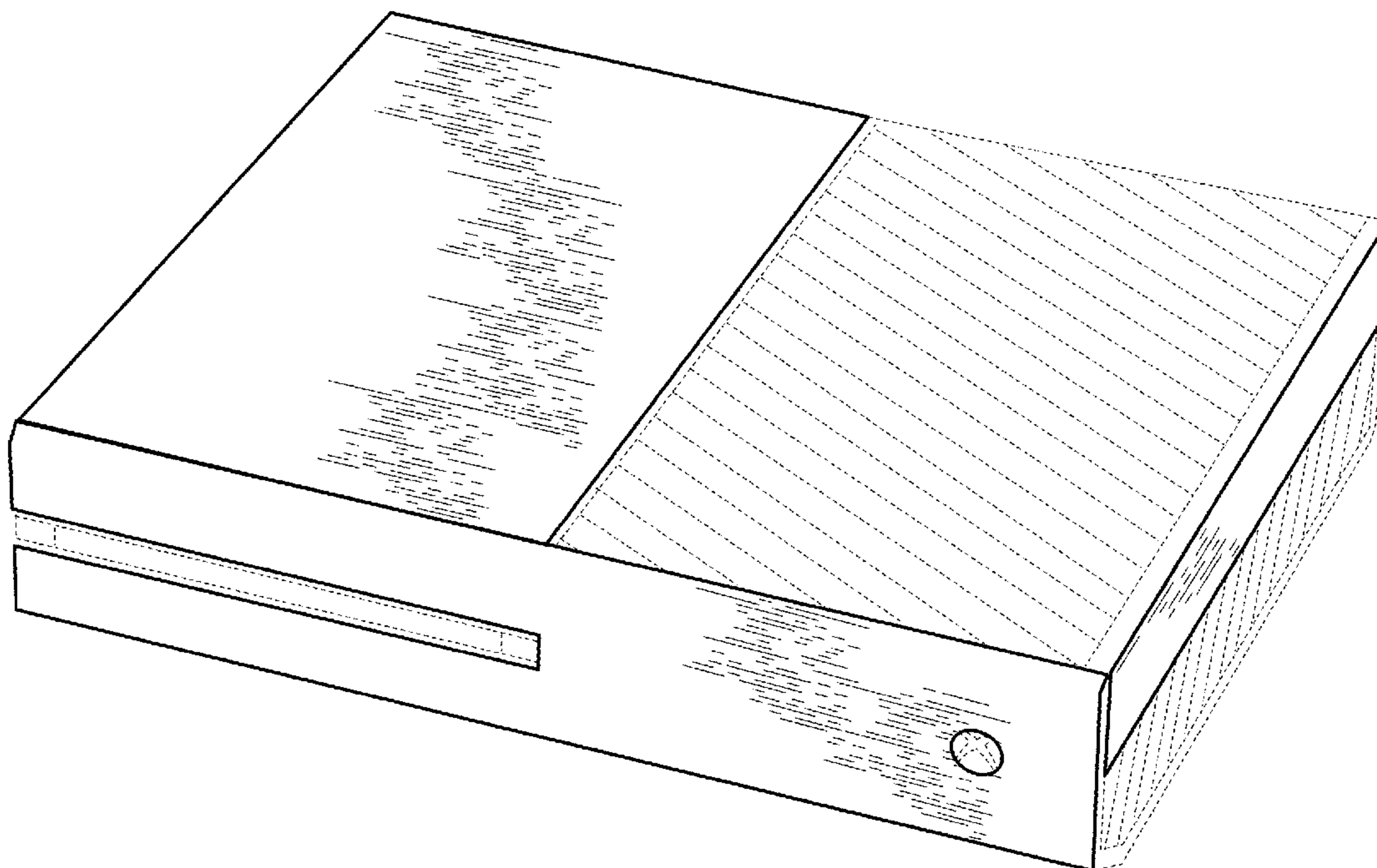
FIG. 1 is a top rear perspective view of a skin cover for an Xbox one console showing my new design; and, FIG. 2 is a top perspective view in use. The broken lines in FIG. 2 show the Xbox one console and forms no part of the claimed design.

1 Claim, 2 Drawing Sheets

(56) **References Cited**

U.S. PATENT DOCUMENTS

3,680,726 A *	8/1972	Massey	B65D 23/0842 215/12.2
3,978,756 A	9/1976	Feldman	
5,322,578 A	6/1994	Ogle et al.	
5,454,492 A *	10/1995	Hunter	B67D 3/0009 150/154



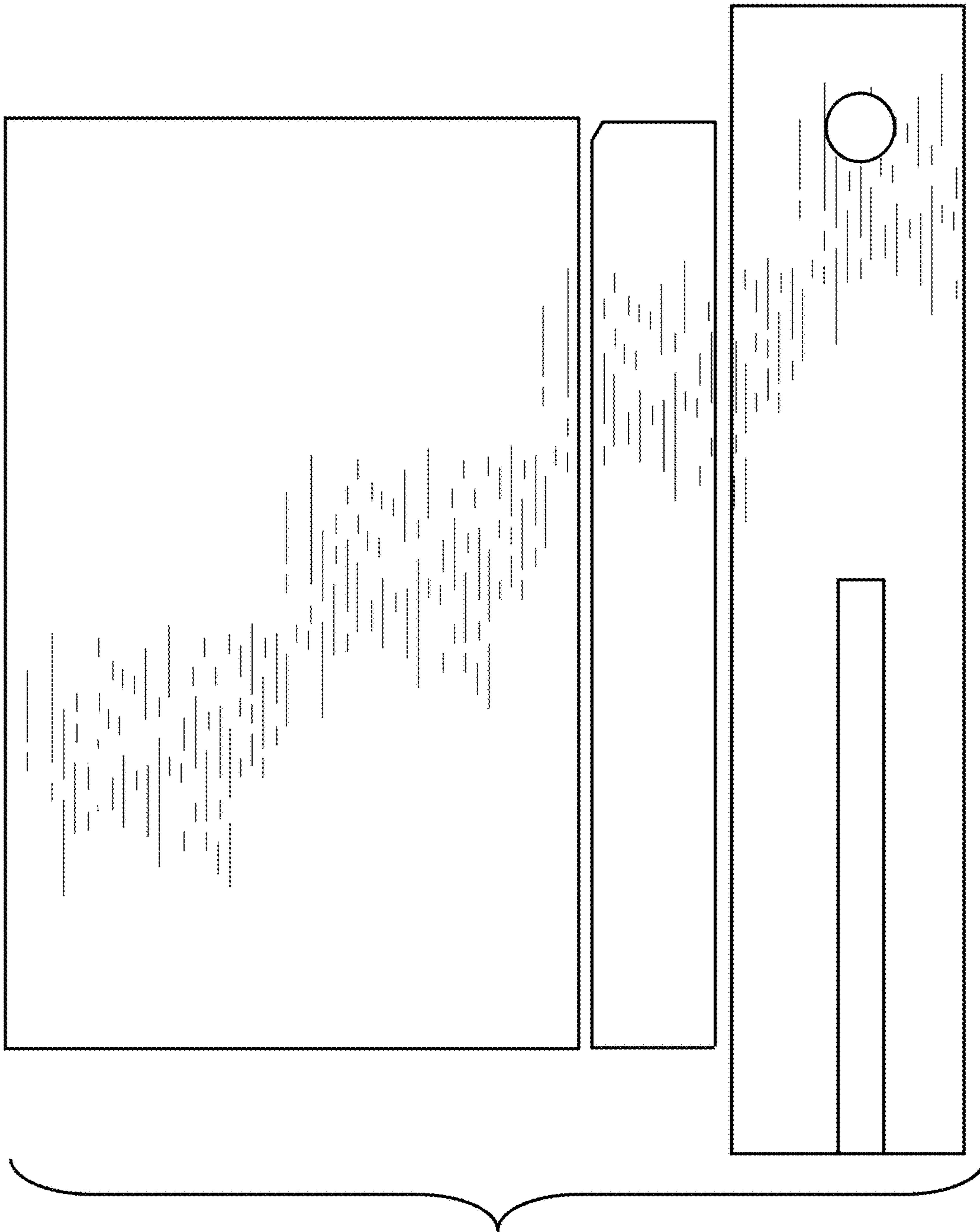


FIG. 1

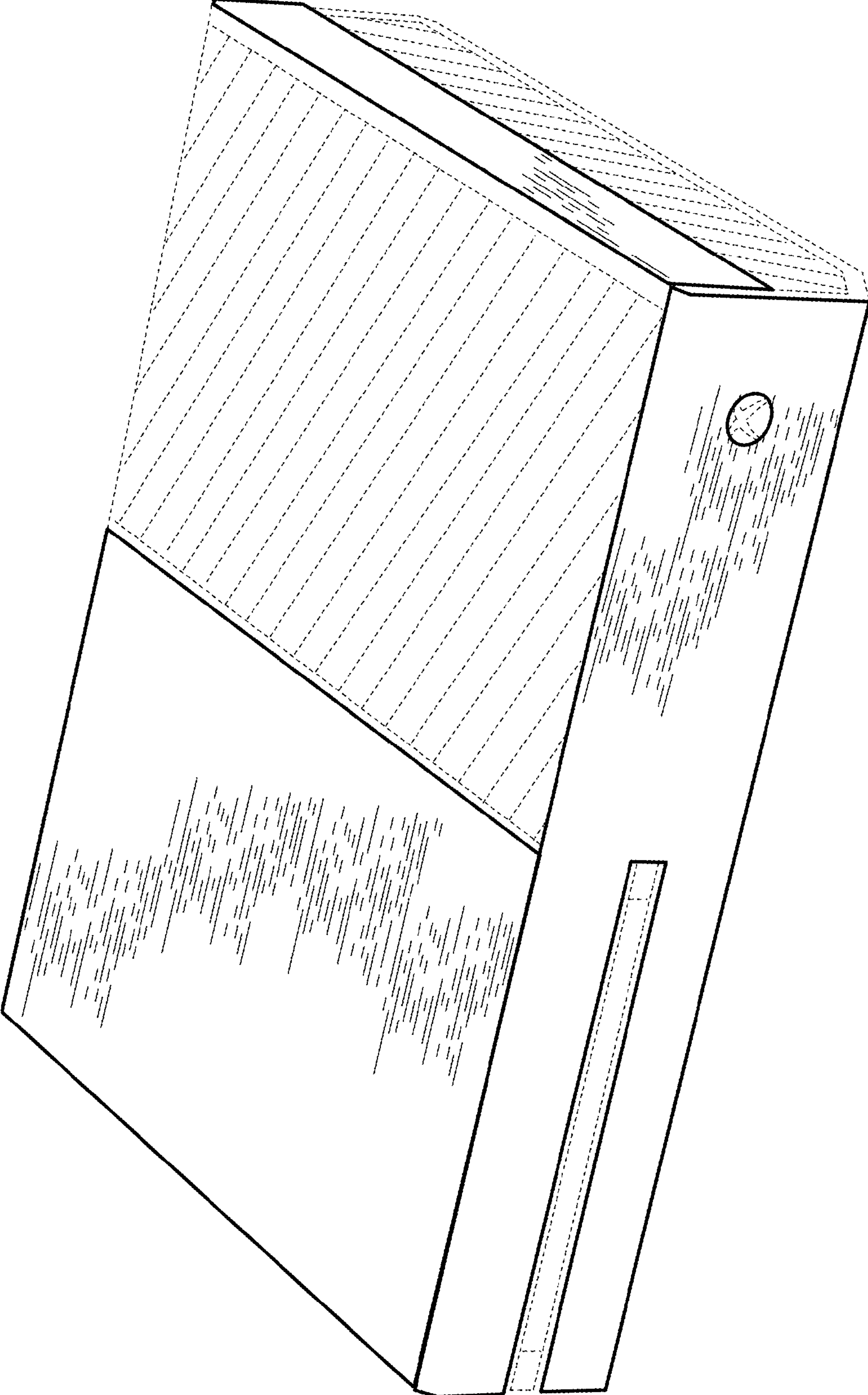


FIG. 2