



US00D777836S

(12) **United States Design Patent**  
**Schnug**

(10) **Patent No.:** **US D777,836 S**

(45) **Date of Patent:** **\*\* Jan. 31, 2017**

(54) **WRITING INSTRUMENT**

(71) Applicant: **PRODIR, S.A.**, Cadempino (CH)

(72) Inventor: **Christoph Schnug**, Berlin (DE)

(73) Assignee: **PRODIR, S.A.** (CH)

(\*\*) Term: **14 Years**

(21) Appl. No.: **29/513,853**

(22) Filed: **Jan. 6, 2015**

(30) **Foreign Application Priority Data**

Jul. 8, 2014 (WO) ..... DM/084-081

(51) **LOC (10) Cl.** ..... **19-06**

(52) **U.S. Cl.**  
USPC ..... **D19/173**

(58) **Field of Classification Search**  
USPC ..... D14/411; D19/115-204  
CPC ..... B43K 5/00; B43K 7/00; B43K 7/10;  
B43K 7/12; B43K 8/04; B43K  
19/00; B43K 19/02; B43K 19/14  
See application file for complete search history.

(56) **References Cited**

**U.S. PATENT DOCUMENTS**

D286,893 S \* 11/1986 Regnault ..... D19/173  
D331,779 S \* 12/1992 Hu ..... D19/167  
D415,199 S \* 10/1999 Pellissa Beneyto ..... D19/174  
D489,090 S \* 4/2004 Buechler ..... D19/174  
D523,081 S \* 6/2006 Pellissa Beneyto ..... D19/174  
7,059,796 B2 \* 6/2006 Lewis, Jr. .... B43K 8/028  
401/107  
D546,385 S \* 7/2007 Bhavnani ..... D19/174

D589,559 S \* 3/2009 Slemp ..... D19/169  
7,909,528 B2 \* 3/2011 Brooks ..... B43K 23/001  
401/131  
D644,691 S \* 9/2011 Pagani ..... D19/173  
D662,985 S \* 7/2012 Liu ..... D19/173  
D663,770 S \* 7/2012 Koch ..... D19/173  
D669,537 S \* 10/2012 Iacchetti ..... D19/195  
D684,578 S \* 6/2013 Son ..... D14/411  
D690,360 S \* 9/2013 Jin ..... D19/173  
D694,326 S \* 11/2013 Cambianica ..... D19/173  
D700,652 S \* 3/2014 Fischer ..... D19/170  
D711,470 S \* 8/2014 Santini ..... D19/169  
D729,874 S \* 5/2015 Larson ..... D19/169  
D730,987 S \* 6/2015 Schnug ..... D19/171  
D748,728 S \* 2/2016 Briggl ..... D19/173

\* cited by examiner

*Primary Examiner* — Elizabeth Albert

(74) *Attorney, Agent, or Firm* — David I. Roche; Baker & McKenzie LLP

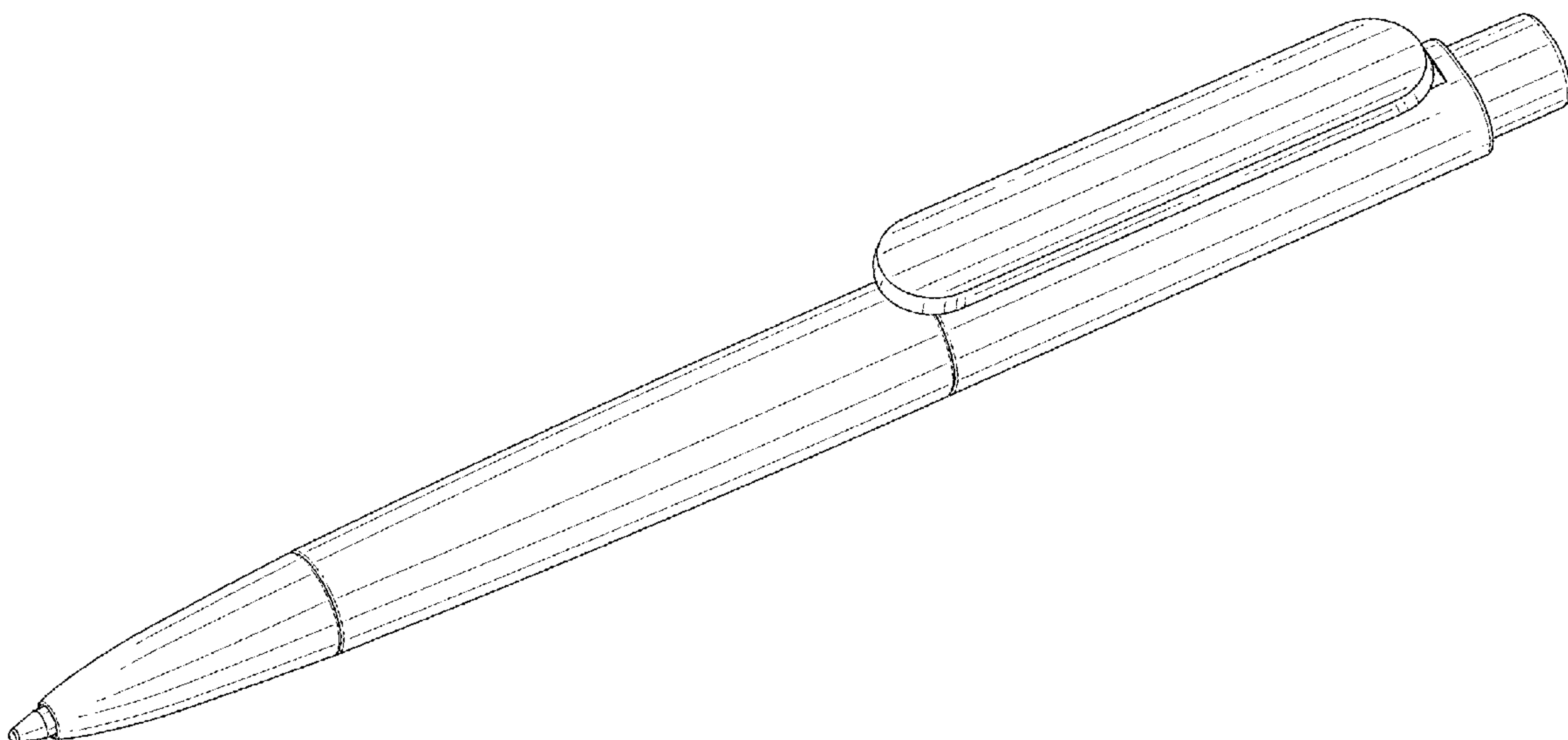
(57) **CLAIM**

The ornamental design for a writing instrument, as shown and described.

**DESCRIPTION**

FIG. 1 is a perspective view of a writing instrument showing my new design;  
FIG. 2 is a bottom plan view thereof;  
FIG. 3 is a top plan view thereof;  
FIG. 4 is a side elevational view thereof;  
FIG. 5 is an alternate side elevational view thereof;  
FIG. 6 is a front elevational view thereof; and,  
FIG. 7 is a rear elevational view thereof.

**1 Claim, 4 Drawing Sheets**



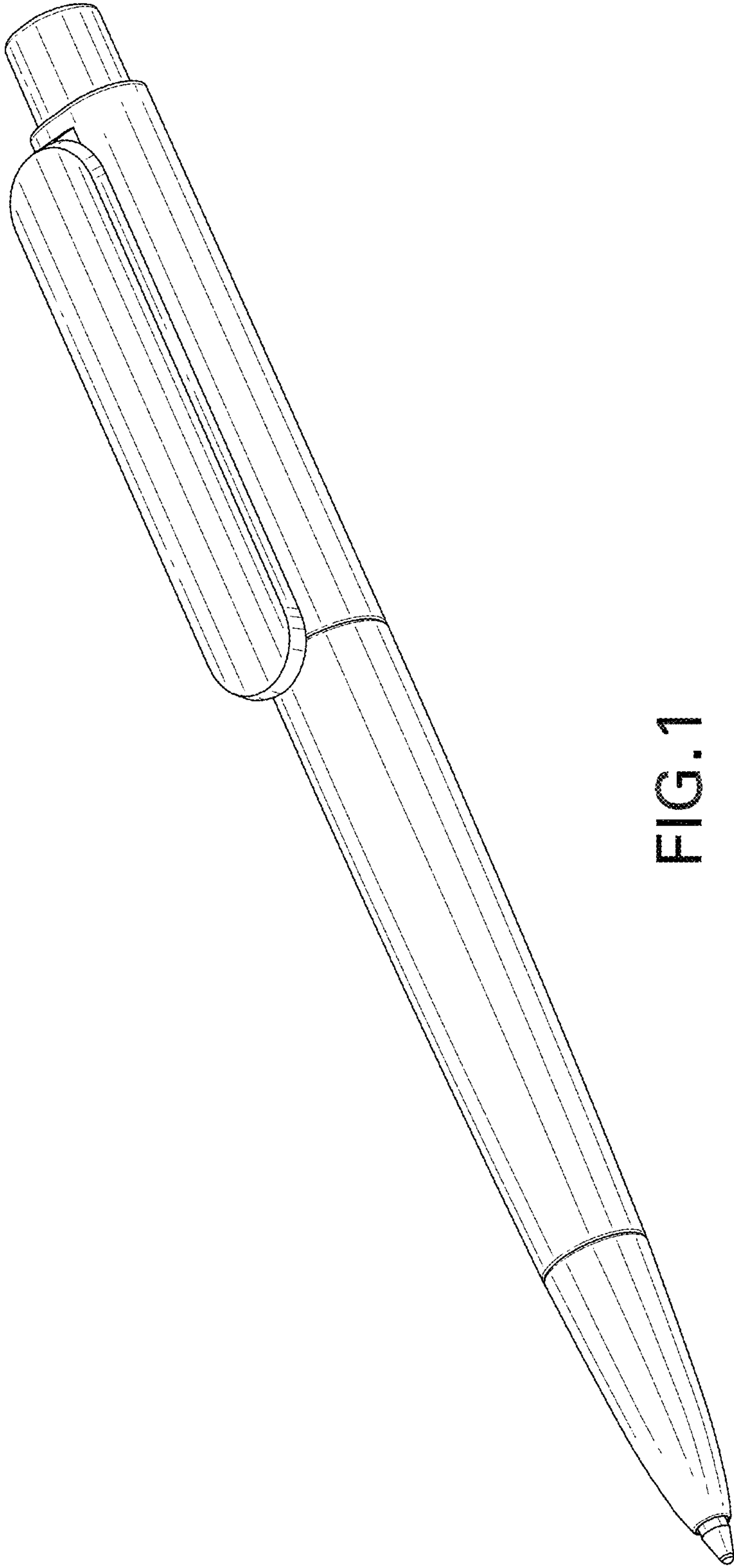


FIG. 1

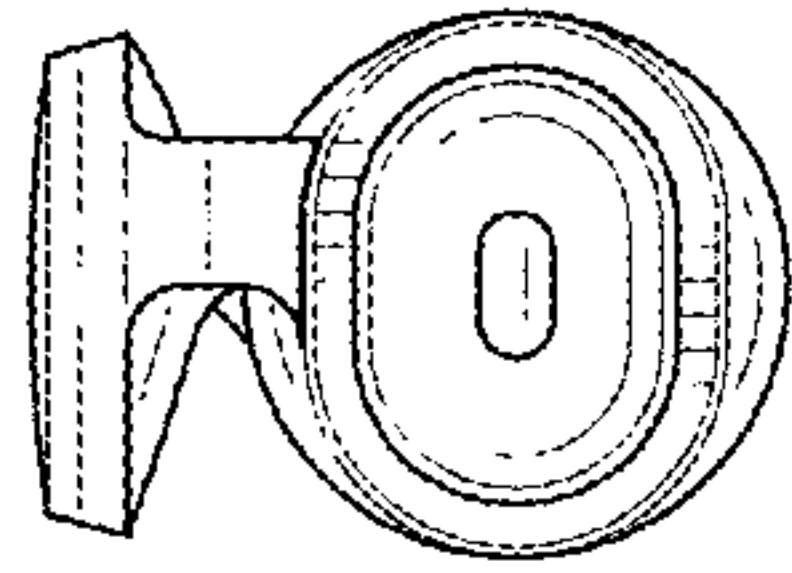


FIG. 3

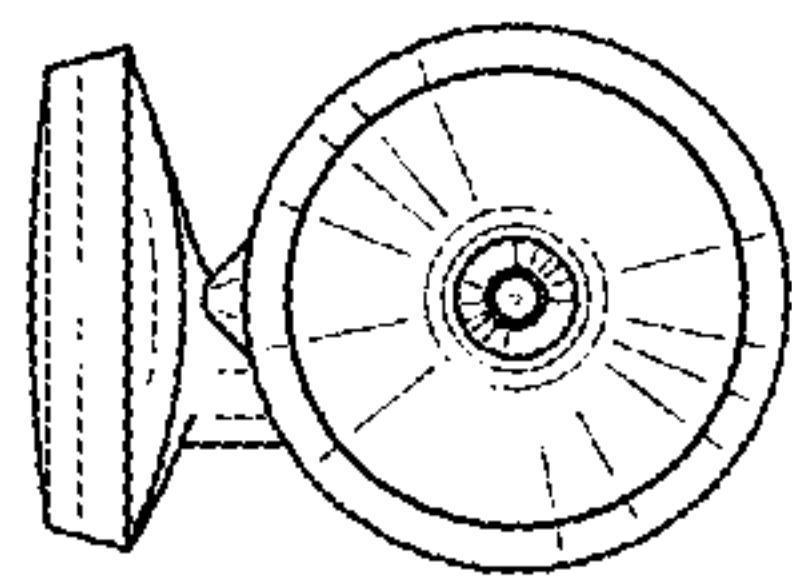


FIG. 2

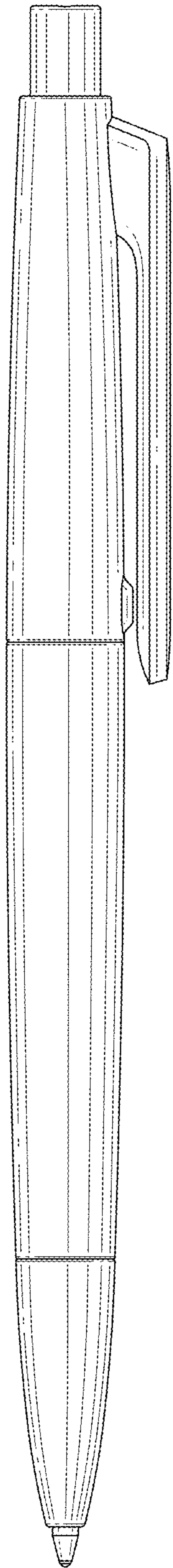


FIG. 4

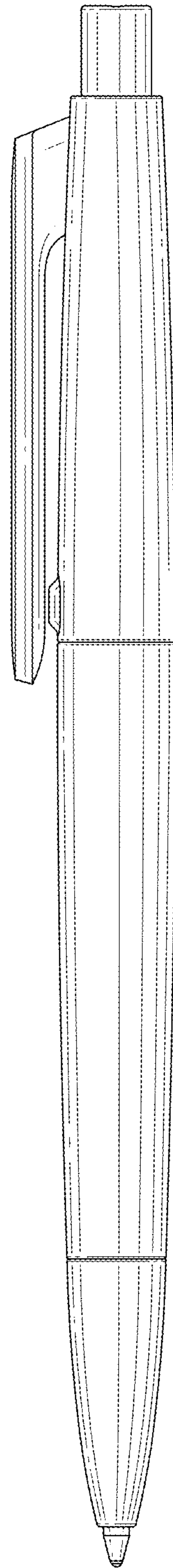


FIG. 5

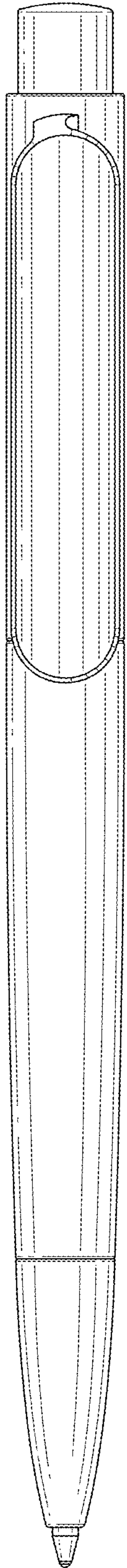


FIG. 6

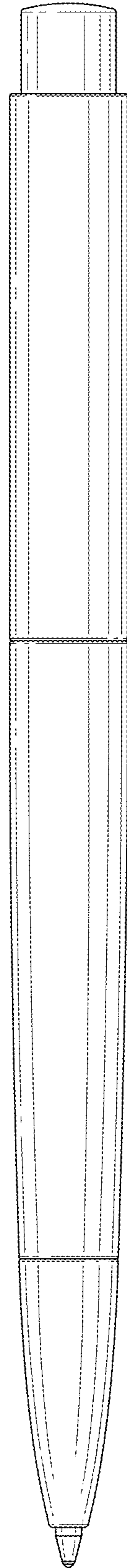


FIG. 7