



US00D777833S

(12) **United States Design Patent**
Kim et al.

(10) **Patent No.:** **US D777,833 S**
(45) **Date of Patent:** **** Jan. 31, 2017**

- (54) **MULTI-FUNCTION PRINTER**
- (71) Applicant: **Samsung Electronics Co., Ltd.**,
Suwon-si (KR)
- (72) Inventors: **Kyong-Hwan Kim**, Seoul (KR);
Tae-Kung Park, Goyang-si (KR);
Ha-Kyung Kim, Seoul (KR)
- (73) Assignee: **Samsung Electronics Co., Ltd.**,
Suwon-si (KR)

- D665,012 S * 8/2012 Saito D18/39
- D685,414 S * 7/2013 Jeong D18/53
- D689,543 S * 9/2013 Seki D18/50
- D692,477 S * 10/2013 Kim D18/53
- D695,339 S * 12/2013 Fukasawa D18/55

(Continued)

FOREIGN PATENT DOCUMENTS

CN 302619217 * 10/2013

OTHER PUBLICATIONS

Samsung [brochure]. <URL: [http://www.samsung.com/global/printingmsp/pdf/\[Brochure\]Smart%20MultiXpress%20K4350%20K4300%20K4250%20Series.pdf](http://www.samsung.com/global/printingmsp/pdf/[Brochure]Smart%20MultiXpress%20K4350%20K4300%20K4250%20Series.pdf)>. Sep. 27, 2014. Samsung A3 Multifunction SMART MultiXpress K4250RX printer.*

Primary Examiner — Bridget L Eland
Assistant Examiner — Lauren McVey
(74) *Attorney, Agent, or Firm* — NSIP Law

- (**) Term: **14 Years**
- (21) Appl. No.: **29/516,395**
- (22) Filed: **Feb. 2, 2015**
- (30) **Foreign Application Priority Data**
Aug. 20, 2014 (KR) 30-2014-0040561
- (51) **LOC (10) Cl.** **18-02**
- (52) **U.S. Cl.**
USPC **D18/53**
- (58) **Field of Classification Search**
USPC D18/53, 50, 54, 56, 59, 36, 38, 39, 40,
D18/41, 45, 34.4, 34.5, 34.6; D14/301,
D14/307
CPC G06K 15/12; G06K 15/14; H04N 1/00204;
H04N 1/00249; H04N 1/00278; B41J
3/00; B41J 3/28; B41J 3/445; B41J 3/46
See application file for complete search history.

(57) **CLAIM**

We claim the ornamental design for a multi-function printer, as shown and described.

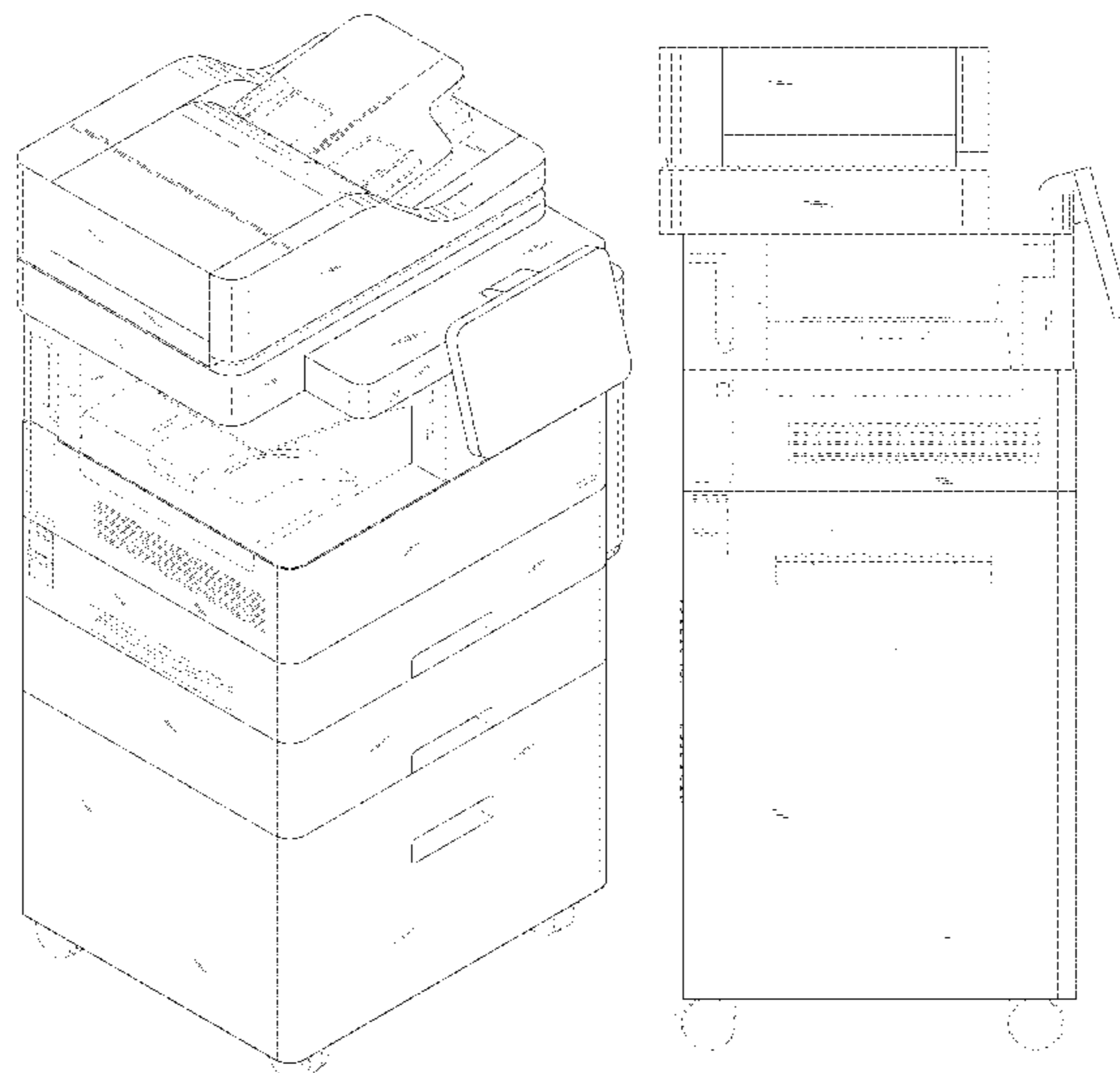
DESCRIPTION

FIG. 1 is a front perspective view of a multi-function printer showing our new design;
FIG. 2 is a front view thereof;
FIG. 3 is a rear view thereof;
FIG. 4 is a left-side view thereof;
FIG. 5 is a right-side view thereof;
FIG. 6 is a top view thereof; and,
FIG. 7 is a bottom view thereof.

The broken lines that are immediately adjacent to the claim, and define unshaded regions, represent the bounds of the claim and are not included in the claim, while all other broken lines are directed to environment; the broken lines form no part of the claimed design.

1 Claim, 6 Drawing Sheets

- (56) **References Cited**
U.S. PATENT DOCUMENTS
D502,210 S * 2/2005 Katori D14/463
6,865,353 B2 * 3/2005 Fujita G03G 15/5016
399/81
D577,763 S * 9/2008 Hidaka D18/39
D626,588 S * 11/2010 Kim D18/39
D630,679 S * 1/2011 Yoshioka D18/50
D645,897 S * 9/2011 Chuang D18/50



(56)

References Cited

U.S. PATENT DOCUMENTS

D701,563 S *	3/2014	Kim	D18/53
D725,185 S *	3/2015	Kim	D18/55
D726,249 S *	4/2015	Kim	D18/53
D727,414 S *	4/2015	Katsuyama	D18/53
D741,945 S *	10/2015	Kawata	D18/39
D763,352 S *	8/2016	Kim	D18/56
D763,958 S *	8/2016	Kim	D18/53
2003/0228168 A1 *	12/2003	Okuda	G03G 15/5016 399/81
2012/0043715 A1 *	2/2012	Kawano	G03G 15/5016 271/213

* cited by examiner

FIG. 1

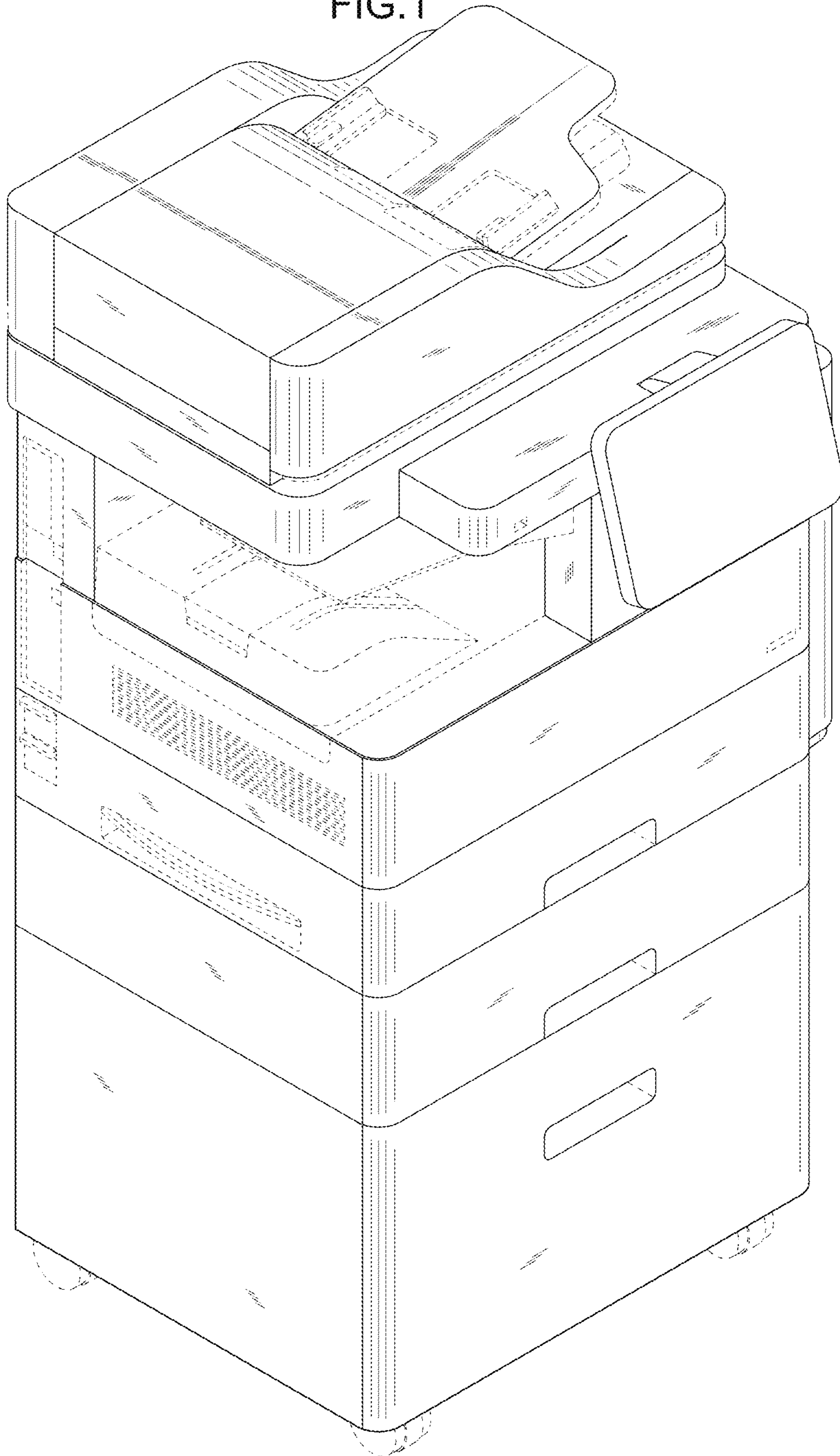


FIG.2

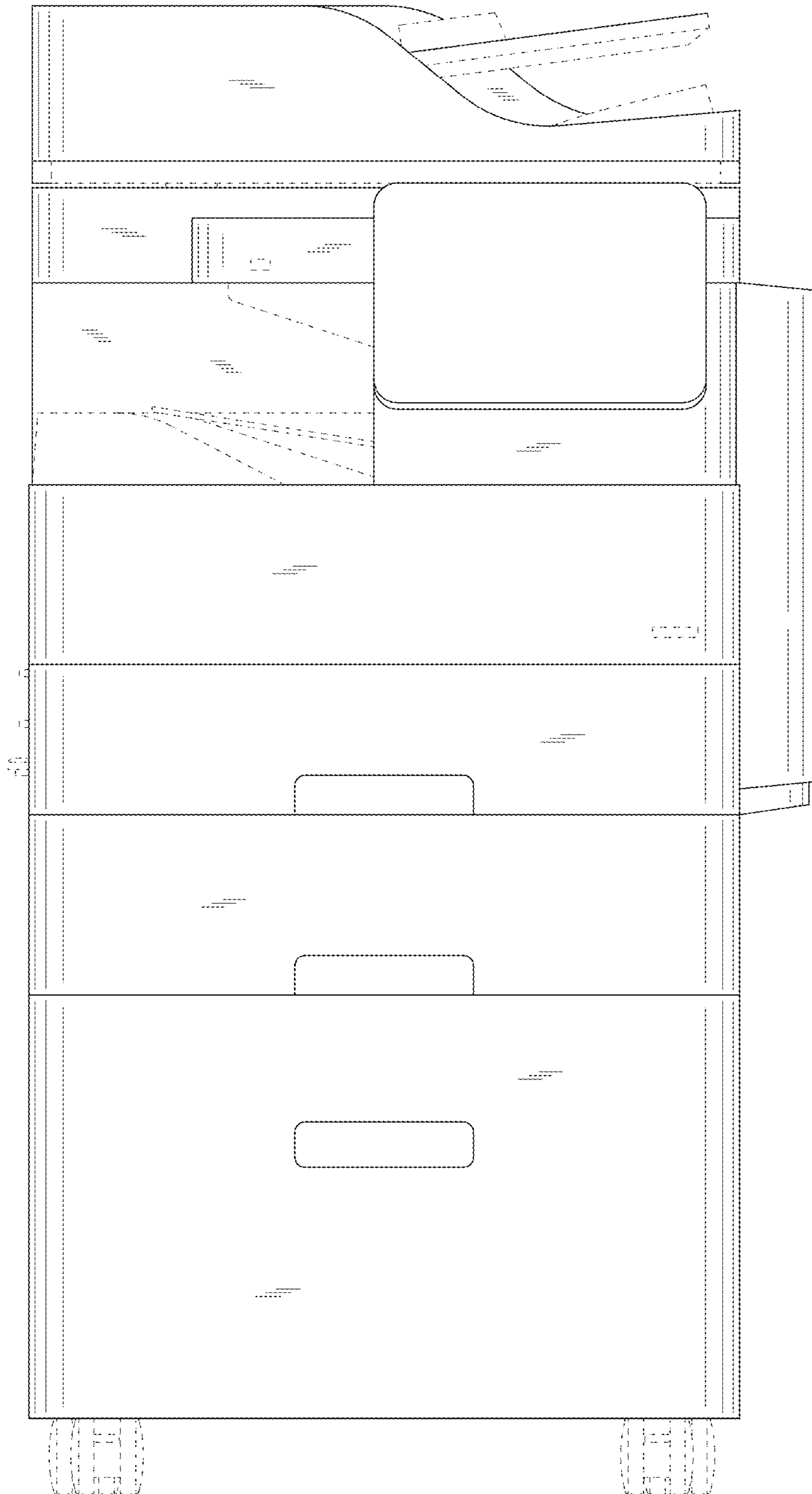


FIG.3

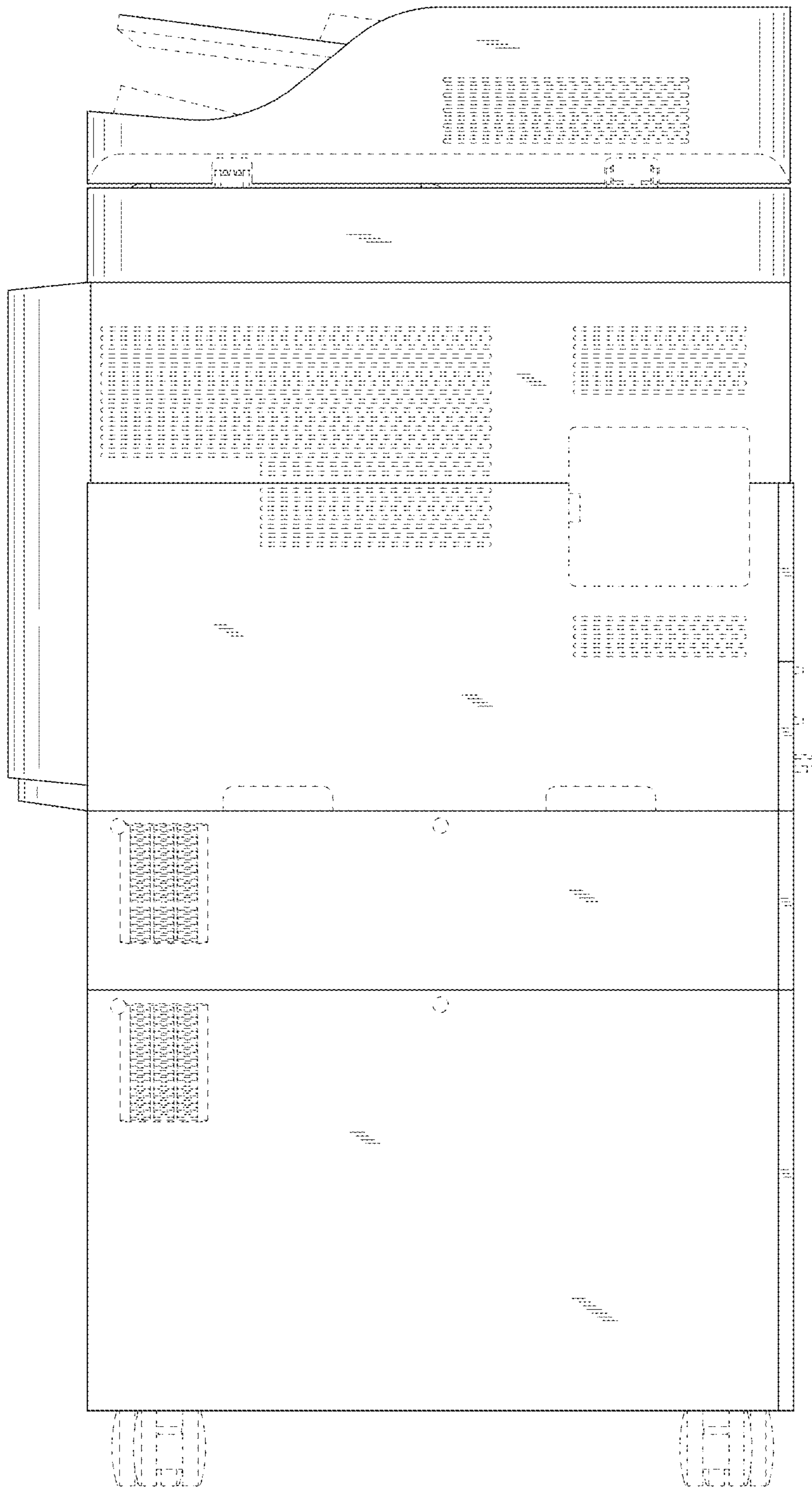


FIG.4

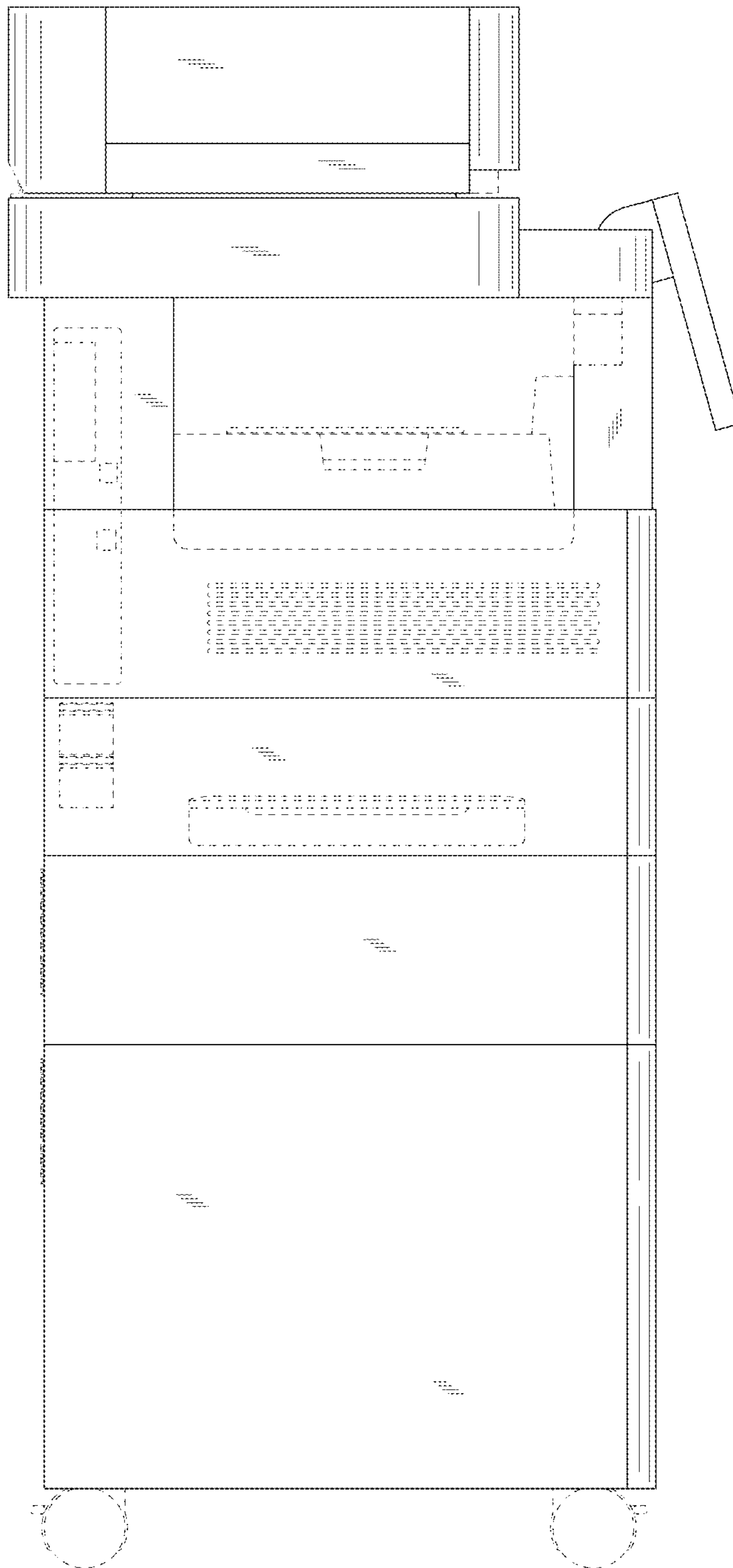


FIG.5

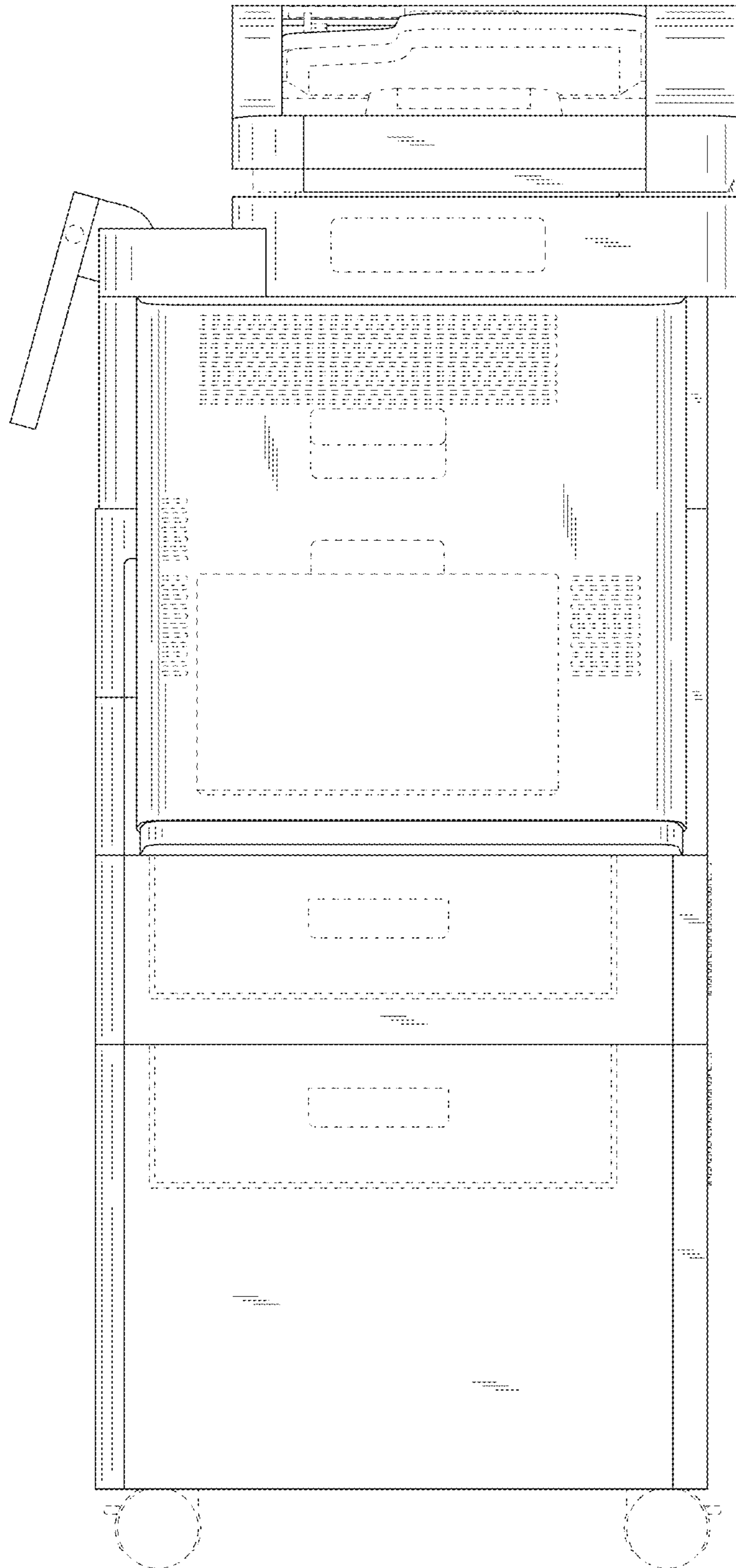


FIG.6

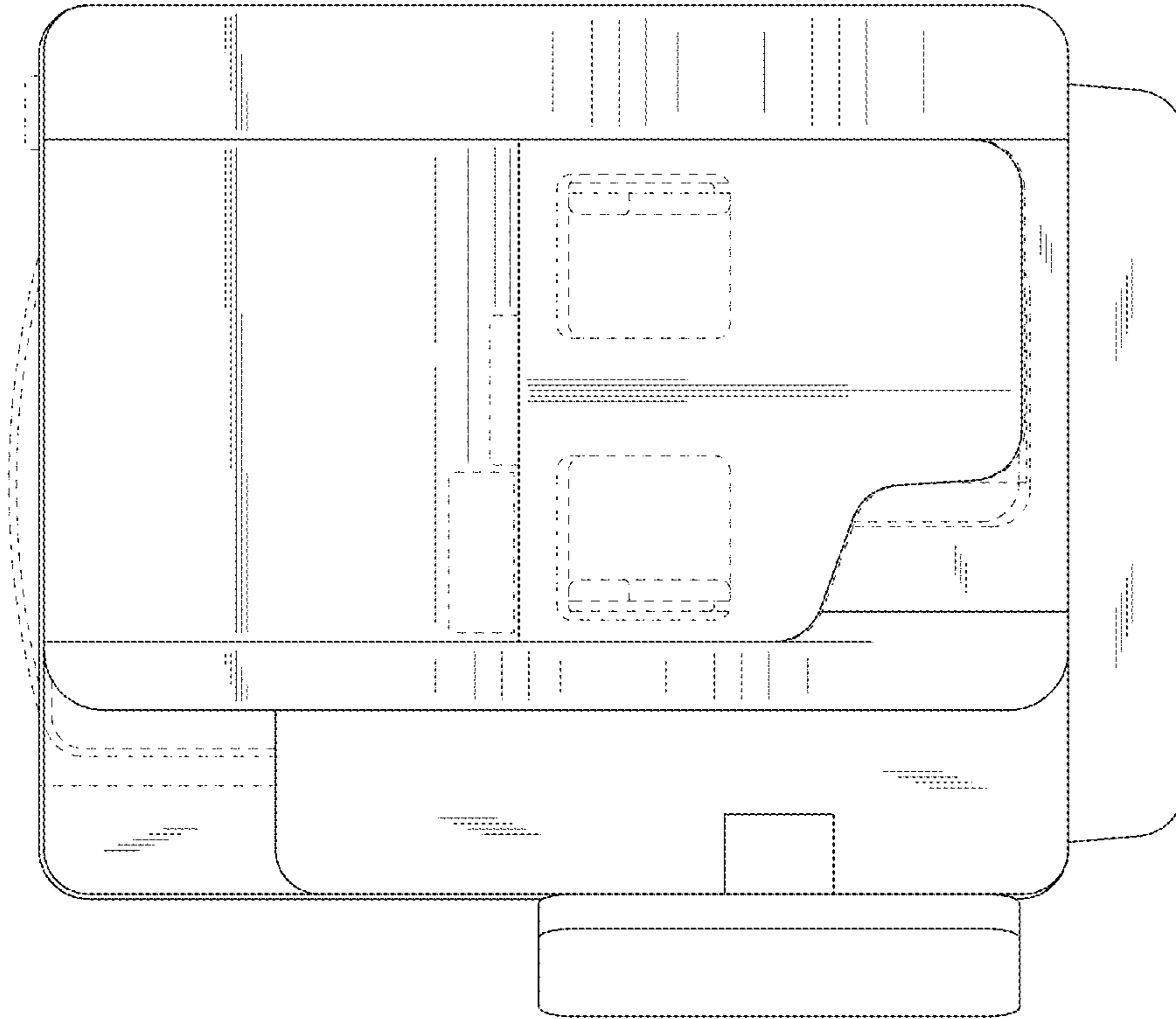


FIG.7

