



US00D777832S

(12) **United States Design Patent**
Yoshii

(10) **Patent No.:** **US D777,832 S**

(45) **Date of Patent:** **** Jan. 31, 2017**

- (54) **TONER CARTRIDGE**
- (71) Applicant: **KYOCERA DOCUMENT SOLUTIONS INC.**, Osaka (JP)
- (72) Inventor: **Tatsuhiko Yoshii**, Osaka (JP)
- (73) Assignee: **KYOCERA DOCUMENT SOLUTIONS INC.**, Osaka (JP)
- (**) Term: **15 Years**
- (21) Appl. No.: **29/541,096**
- (22) Filed: **Sep. 30, 2015**

- 6,389,250 B1 * 5/2002 Numagami G03G 15/0896
399/111
- 6,442,359 B1 * 8/2002 Numagami G03G 21/1821
399/111
- 7,142,795 B2 * 11/2006 Sugiyama H04N 1/2112
399/111
- D540,853 S * 4/2007 Berardelli 347/33
- 7,302,213 B2 * 11/2007 Kimura G03G 15/0832
399/120
- D650,413 S * 12/2011 Murata D18/43
- D652,073 S * 1/2012 Murata D18/43
- 8,543,033 B2 * 9/2013 Morishita G03G 21/1842
399/111
- 8,565,651 B2 * 10/2013 Fujii G03G 21/1676
399/106
- D728,012 S * 4/2015 Yoshii D18/43

(Continued)

(30) **Foreign Application Priority Data**

Mar. 31, 2015 (JP) 2015-007089

(51) **LOC (10) Cl.** **16-03**

(52) **U.S. Cl.**
USPC **D18/43**

(58) **Field of Classification Search**
USPC D18/12, 18, 36, 43, 56, 99; D14/309,
D14/332, 471; 399/11, 92, 106, 110, 111;
222/DIG. 1

See application file for complete search history.

(56) **References Cited**

U.S. PATENT DOCUMENTS

- 2,904,000 A * 9/1959 Fisher G03G 15/09
118/308
- D365,846 S * 1/1996 Nishimura D18/40
- D379,829 S * 6/1997 Hayashi D18/43
- 5,761,586 A * 6/1998 Kawashima G03G 15/0875
222/DIG. 1
- 6,131,007 A * 10/2000 Yamaguchi G03G 15/0822
399/111
- 6,385,416 B1 * 5/2002 Horikawa G03G 15/0208
399/111

Primary Examiner — Barbara Fox

Assistant Examiner — Mary C Ramirez

(74) *Attorney, Agent, or Firm* — Young & Thompson

(57) **CLAIM**

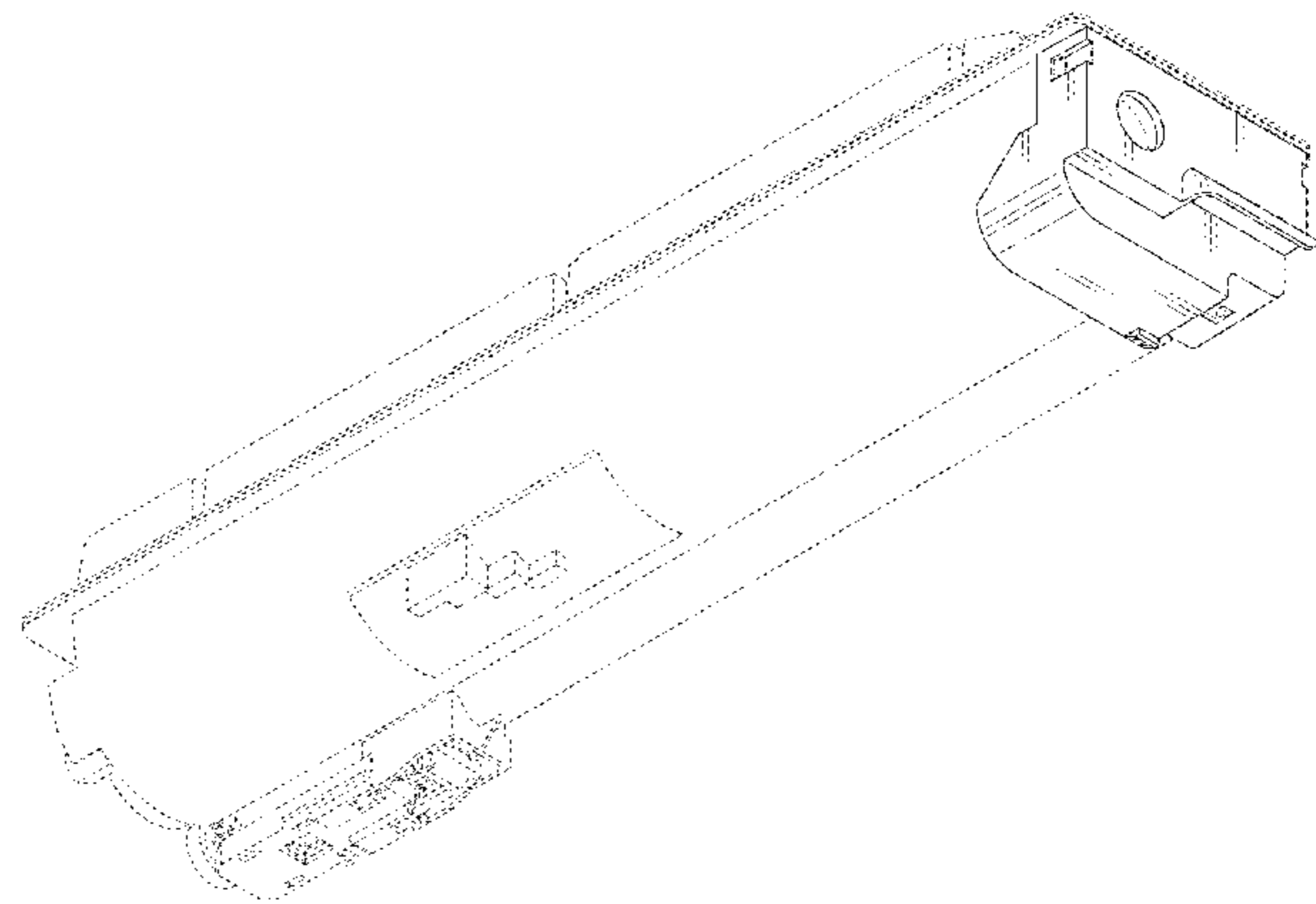
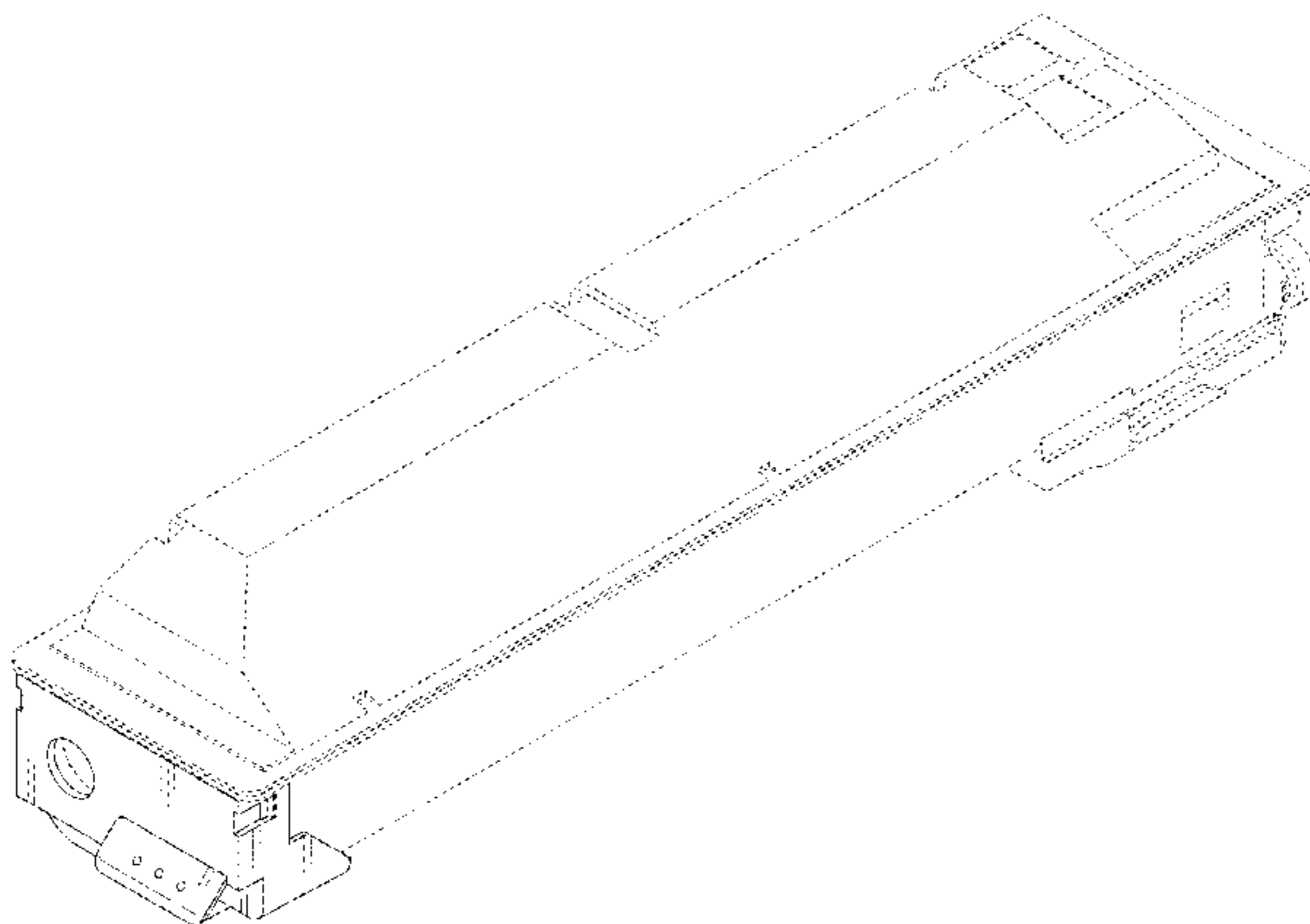
The ornamental design for a toner cartridge, as shown and described.

DESCRIPTION

FIG. 1 is a perspective view of front, left and top of toner cartridge showing my new design;
 FIG. 2 is a perspective view of rear, right and bottom thereof;
 FIG. 3 is a front view thereof;
 FIG. 4 is a rear view thereof;
 FIG. 5 is a left side view thereof;
 FIG. 6 is a right side view thereof;
 FIG. 7 is a top plan view thereof; and,
 FIG. 8 is a bottom plan view thereof.

The broken lines shown in the drawings illustrate portions of the toner cartridge that form no part of the claimed design.

1 Claim, 5 Drawing Sheets



(56)

References Cited

U.S. PATENT DOCUMENTS

| | | | | |
|--------------|------|---------|----------------|--------------|
| 9,158,232 | B2 * | 10/2015 | Yoshii | G03G 15/0832 |
| 9,201,344 | B2 * | 12/2015 | Sato | G03G 15/0867 |
| D746,904 | S * | 1/2016 | Kitagawa | D18/43 |
| 9,280,090 | B2 * | 3/2016 | Kimura | G03G 15/0832 |
| 2007/0269225 | A1 * | 11/2007 | Sato | G03G 15/0839 |
| | | | | 399/12 |
| 2009/0067888 | A1 * | 3/2009 | Murata | G03G 15/0877 |
| | | | | 399/263 |
| 2012/0243887 | A1 * | 9/2012 | Murata | G03G 15/0858 |
| | | | | 399/27 |
| 2012/0243913 | A1 * | 9/2012 | Murata | G03G 15/0875 |
| | | | | 399/263 |
| 2014/0140737 | A1 * | 5/2014 | Yamanaka | G03G 15/0886 |
| | | | | 399/260 |
| 2014/0147174 | A1 * | 5/2014 | Yoshii | G03G 15/0887 |
| | | | | 399/259 |

* cited by examiner

Fig. 1

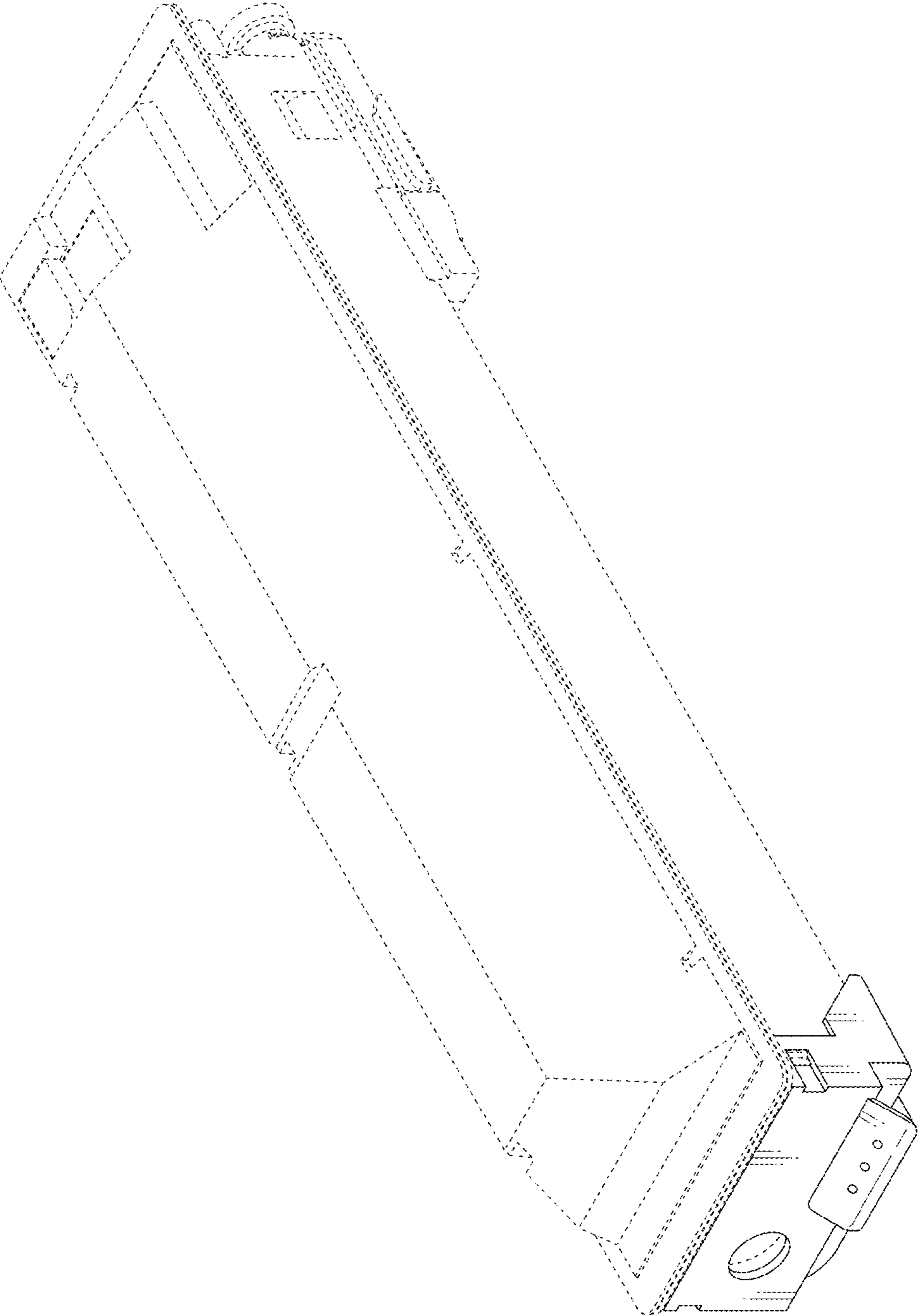


Fig. 2

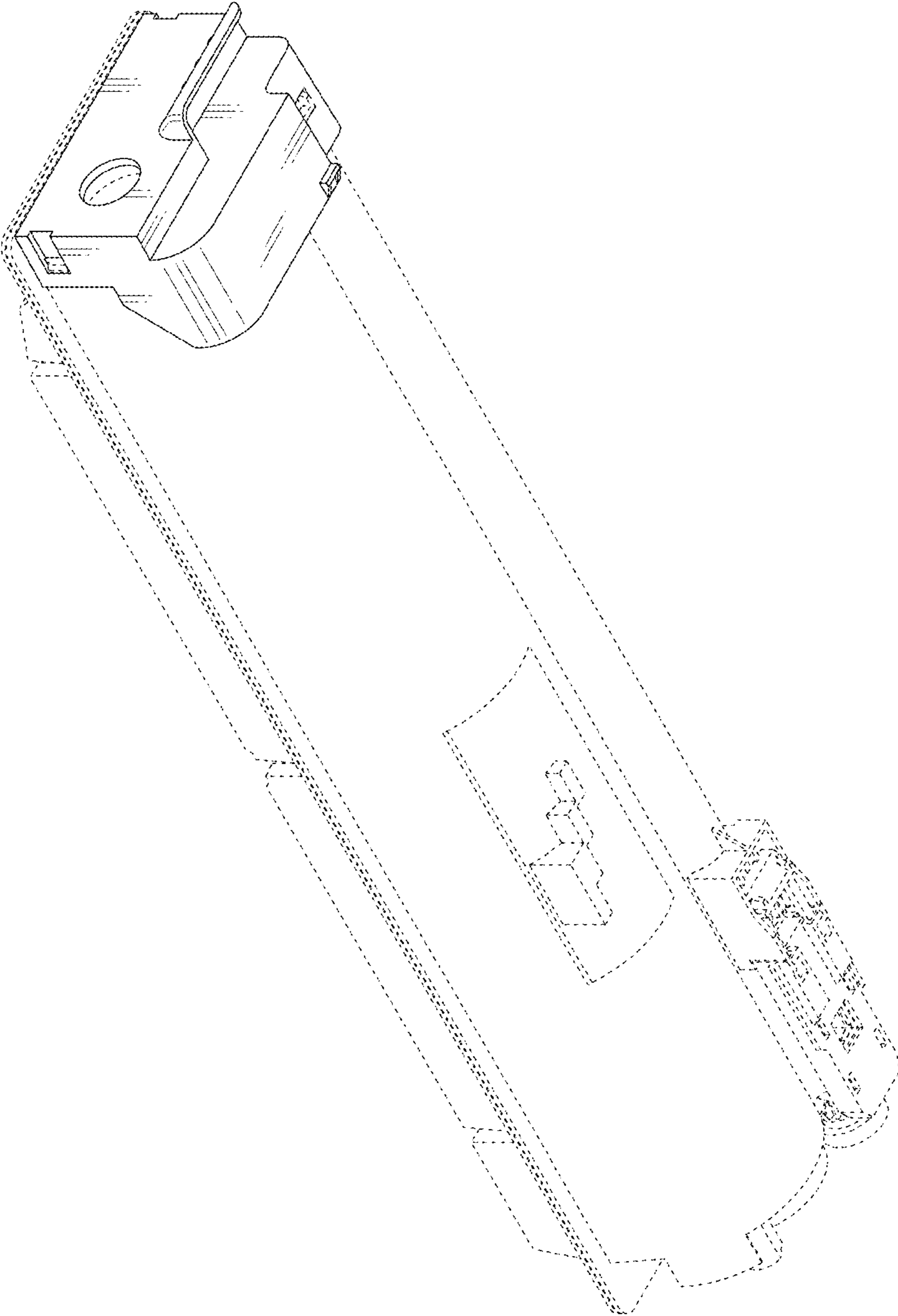


Fig. 3

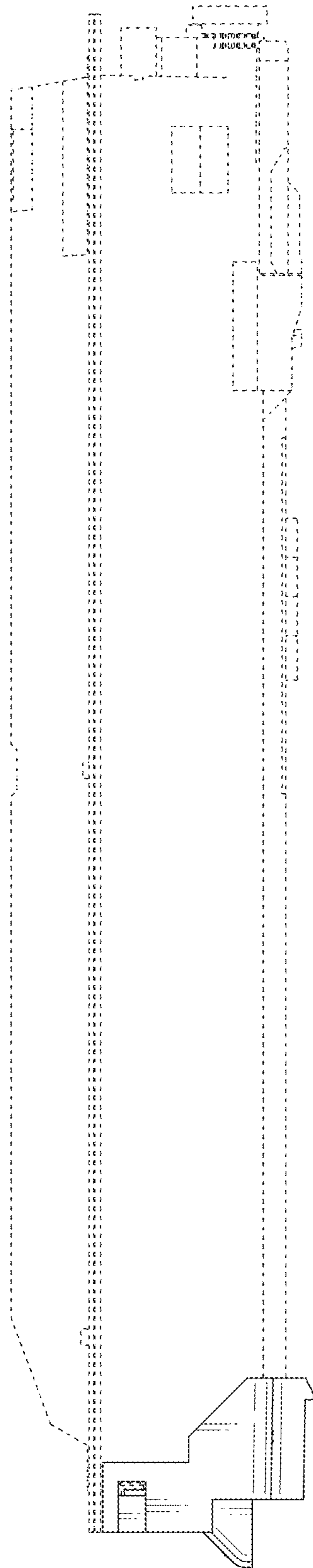


Fig. 4

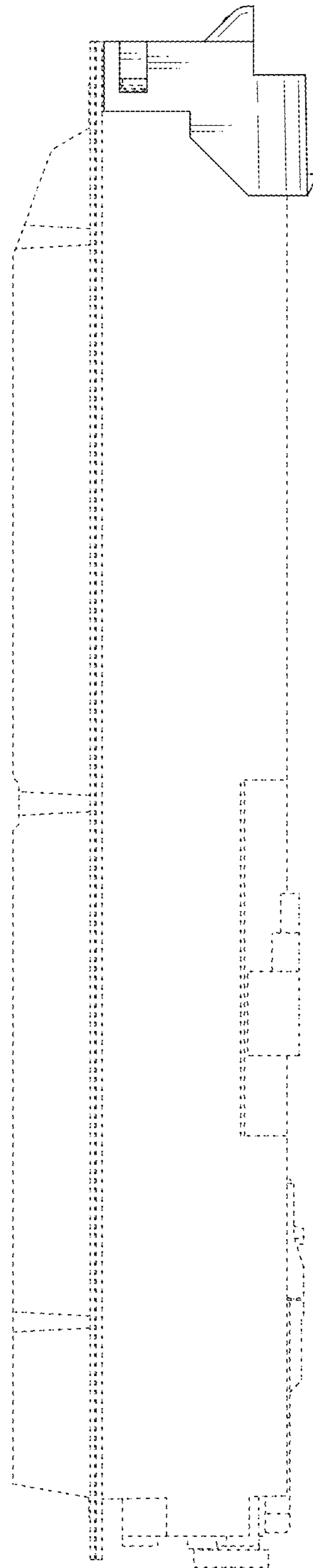


Fig. 6

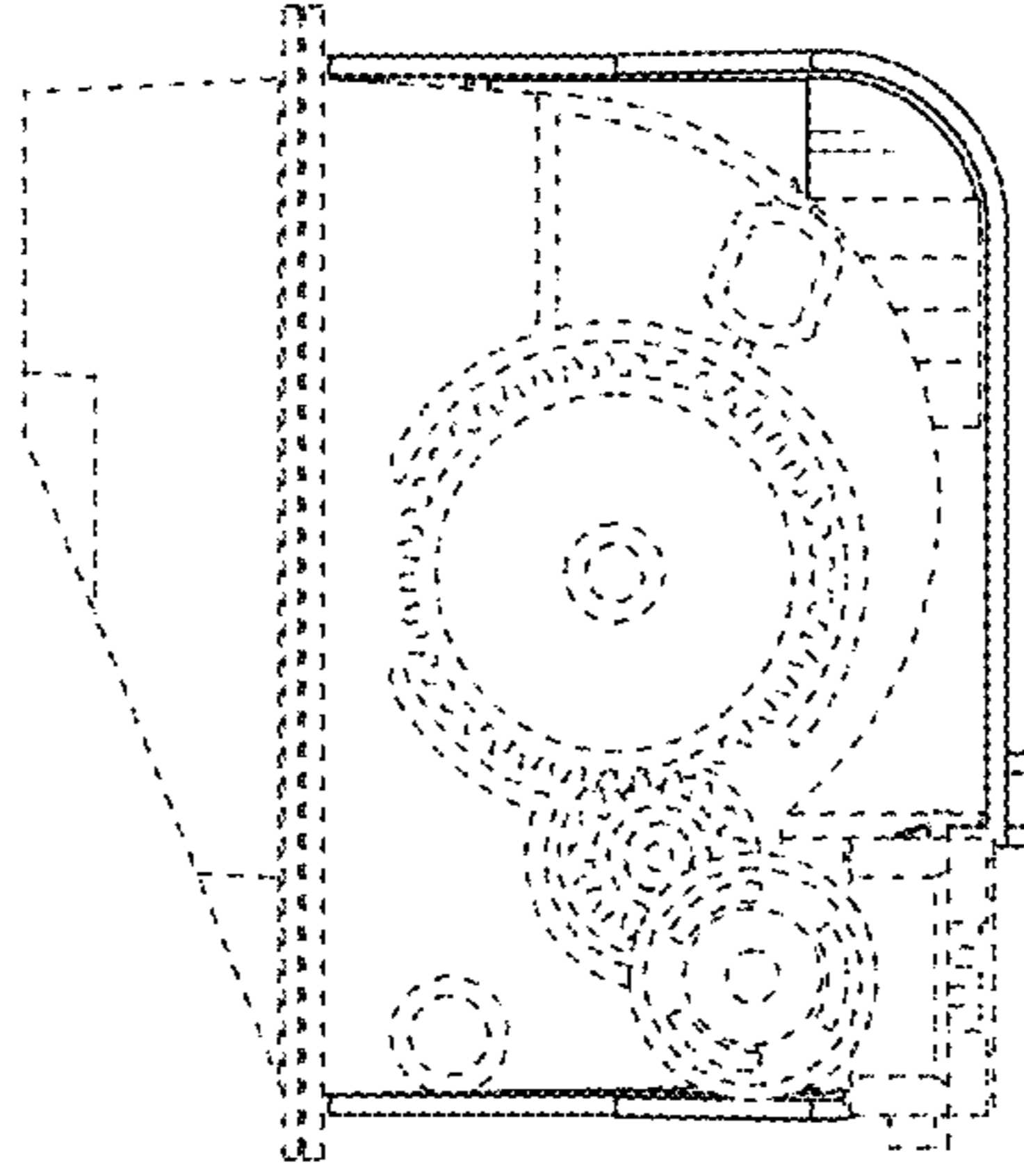


Fig. 5

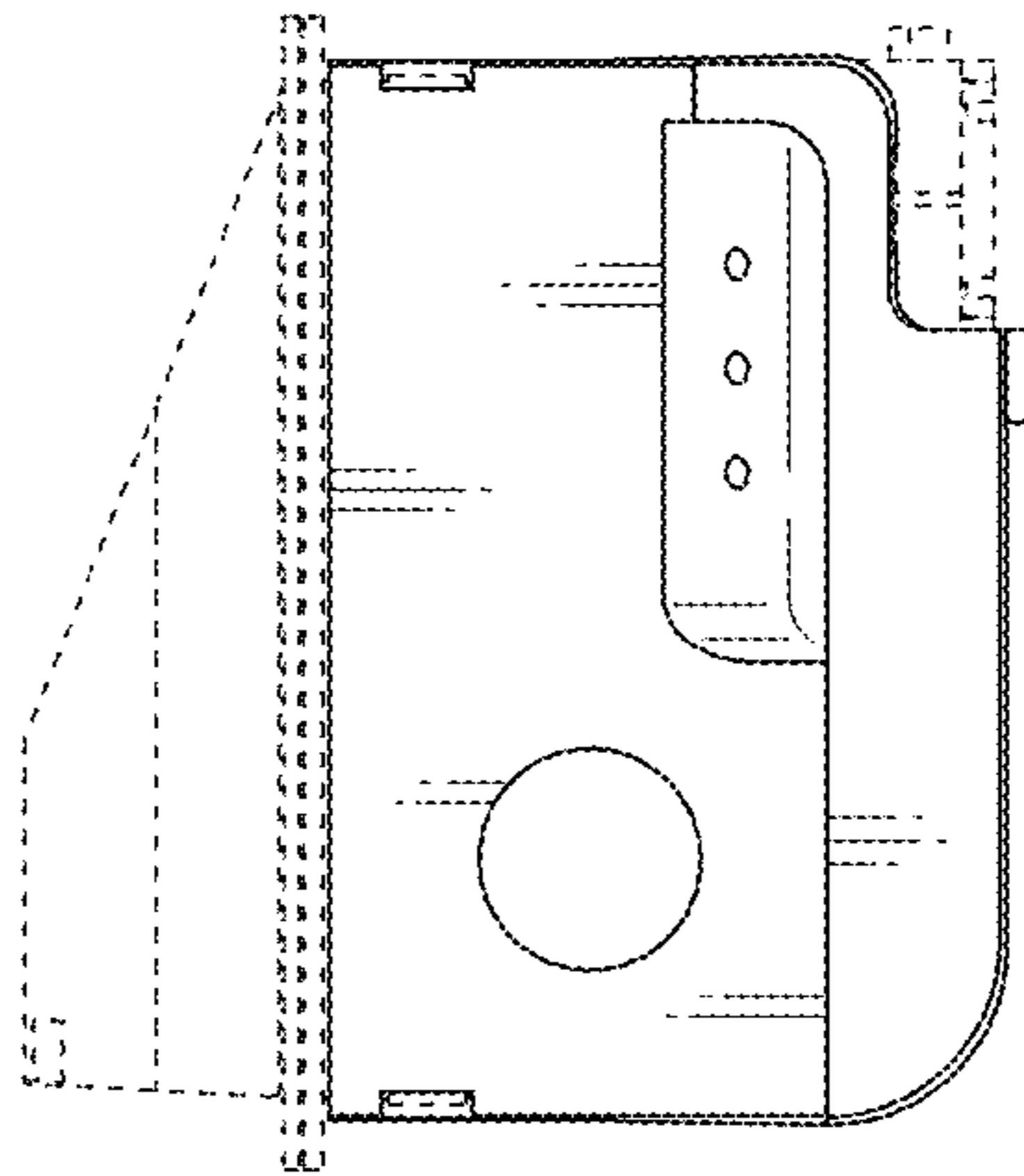


Fig. 7

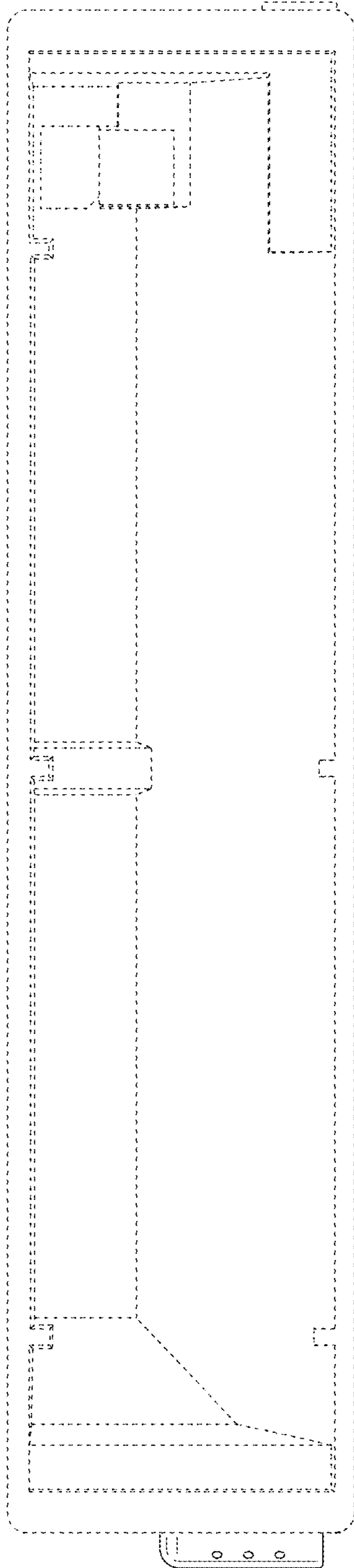


Fig. 8

