



US00D777825S

(12) **United States Design Patent**  
**Ganovsky et al.**

(10) **Patent No.:** **US D777,825 S**  
(45) **Date of Patent:** **\*\* Jan. 31, 2017**

(54) **CHAIN WITH FOLDABLE GLASSES**

**DESCRIPTION**

(71) Applicant: **Neckglasses, LLC**, Oxford, MS (US)

(72) Inventors: **Karen June Ganovsky**, Windermere, FL (US); **Peng Lee**, Oxford, MS (US); **Dianna Varner Seddon**, Oxford, MS (US)

(73) Assignee: **Neckglasses, LLC**, Oxford, MS (US)

(\*\*) Term: **15 Years**

(21) Appl. No.: **29/560,741**

(22) Filed: **Apr. 9, 2016**

(51) **LOC (10) Cl.** ..... **16-06**

(52) **U.S. Cl.**  
USPC ..... **D16/303**; D16/323; D16/101

(58) **Field of Classification Search**  
USPC ..... D16/101, 300-342, 900; D29/109-110;  
351/41, 44, 51-52, 62, 158, 92, 103-123,  
351/140-153, 63, 59, 45-48; 2/426-432,  
2/447-449, 441, 434-437, 440, 442, 13,  
2/15; D21/483, 659-661; D14/372;  
D8/356

(Continued)

(56) **References Cited**

**U.S. PATENT DOCUMENTS**

5,384,604 A \* 1/1995 Chang ..... G02C 5/00  
351/119  
5,893,198 A \* 4/1999 DeCotis ..... A44C 5/2038  
224/617

(Continued)

*Primary Examiner* — Raphael Barkai

(74) *Attorney, Agent, or Firm* — Harris, Shelton, Hanover & Walsh; Susan B. Fentress

(57) **CLAIM**

The ornamental design for a chain with foldable glasses, as shown and described.

FIG. 1 is an isometric view of a first embodiment of our new design in the folded configuration with only a portion of the chain shown.

FIG. 2 is a front view of a first embodiment of our new design in the folded configuration with only a portion of the chain shown.

FIG. 3 is a left side view of a first embodiment of our new design in the folded configuration with only a portion of the chain shown.

FIG. 4 is a rear view of a first embodiment of our new design in the folded configuration with only a portion of the chain shown.

FIG. 5 is a right side view of a first embodiment of our new design in the folded configuration with only a portion of the chain shown.

FIG. 6 is a top view of a a first embodiment of our new design in the folded configuration with only a portion of the chain shown.

FIG. 7 is a bottom view of a first embodiment of our new design in the folded configuration with only a portion of the chain shown.

FIG. 8 is an isometric view of a first embodiment of our new design in the unfolded configuration with only a portion of the chain shown.

FIG. 9 is a front view of a first embodiment of our new design in the unfolded configuration with only a portion of the chain shown.

FIG. 10 is a left side view of a first embodiment of our new design in the unfolded configuration with only a portion of the chain shown.

FIG. 11 is a rear view of a first embodiment of our new design in the unfolded configuration with only a portion of the chain shown.

FIG. 12 is a right side view of a first embodiment of our new design in the unfolded configuration with only a portion of the chain shown.

FIG. 13 is a top view of a a first embodiment of our new design in the unfolded configuration with only a portion of the chain shown.

(Continued)

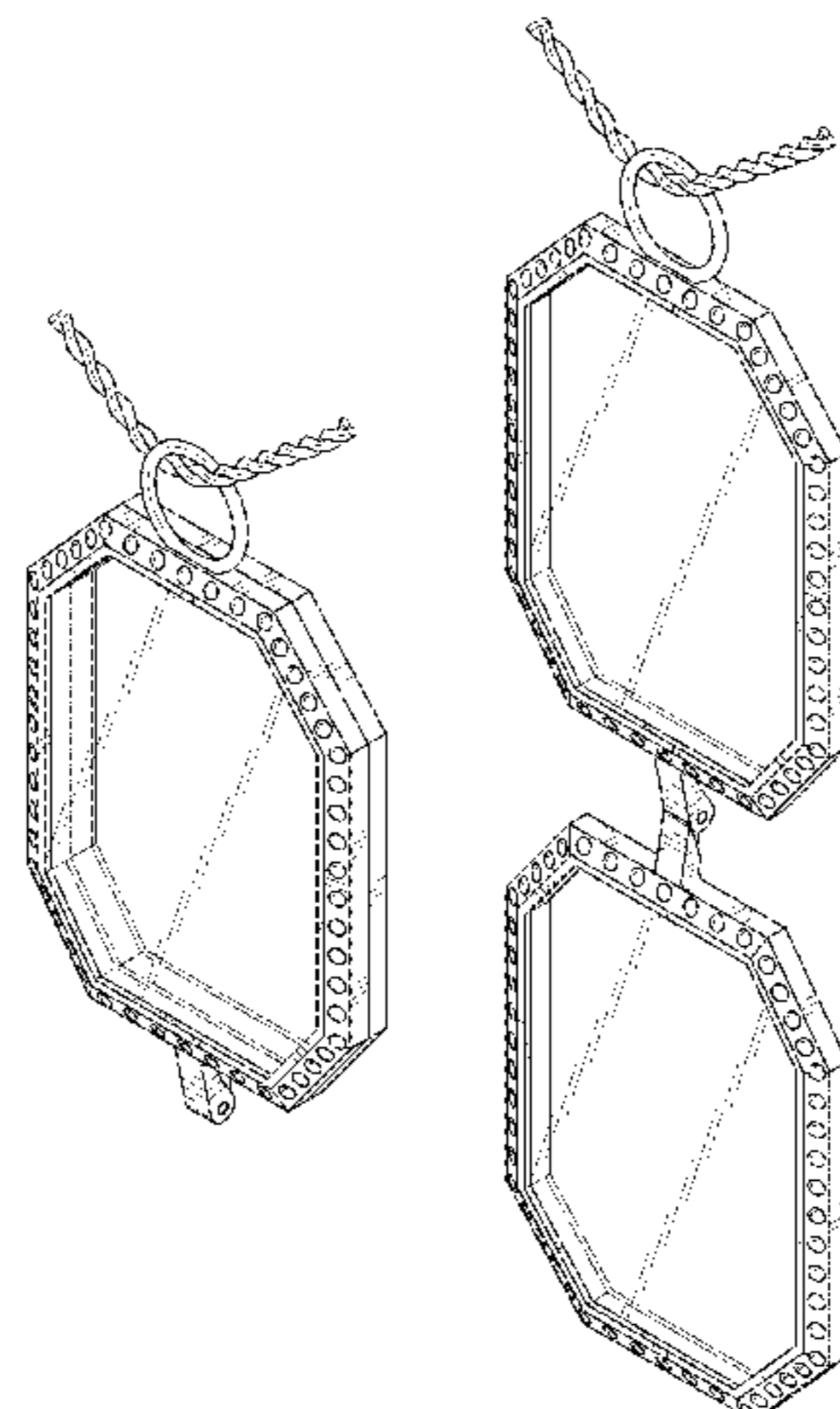


FIG. 14 is a bottom view of a first embodiment of our new design in the unfolded configuration with only a portion of the chain shown.

FIG. 15 is an isometric view of a second embodiment of our new design in the folded configuration with only a portion of the chain shown.

FIG. 16 is a front view of a second embodiment of our new design in the folded configuration with only a portion of the chain shown.

FIG. 17 is a left side view of a second embodiment of our new design in the folded configuration with only a portion of the chain shown.

FIG. 18 is a rear view of a second embodiment of our new design in the folded configuration with only a portion of the chain shown.

FIG. 19 is a right side view of a second embodiment of our new design in the folded configuration with only a portion of the chain shown.

FIG. 20 is a top view of a second embodiment of our new design in the folded configuration with only a portion of the chain shown.

FIG. 21 is a bottom view of a second embodiment of our new design in the folded configuration with only a portion of the chain shown.

FIG. 22 is an isometric view of a second embodiment of our new design in the unfolded configuration with only a portion of the chain shown.

FIG. 23 is a front view of a second embodiment of our new design in the unfolded configuration with only a portion of the chain shown.

FIG. 24 is a left side view of a second embodiment of our new design in the unfolded configuration with only a portion of the chain shown.

FIG. 25 is a rear view of a second embodiment of our new design in the unfolded configuration with only a portion of the chain shown.

FIG. 26 is a right side view of a second embodiment of our new design in the unfolded configuration with only a portion of the chain shown.

FIG. 27 is a top view of a second embodiment of our new design in the unfolded configuration with only a portion of the chain shown; and,

FIG. 28 is a bottom view of a second embodiment of our new design in the unfolded configuration with only a portion of the chain shown.

**1 Claim, 12 Drawing Sheets**

(58) **Field of Classification Search**

CPC ..... G02C 2200/08; G02C 1/06; G02C 5/14;  
G02C 11/02; G02C 11/04; G01C 5/16;  
A61M 2021/0044; A63B 33/002

See application file for complete search history.

(56) **References Cited**

U.S. PATENT DOCUMENTS

6,076,925	A *	6/2000	Kraut .....	A45F 5/02 351/112
D634,355	S *	3/2011	Dobashi .....	D16/341
8,132,908	B2 *	3/2012	Cargnel .....	G02C 5/08 351/119
D704,763	S *	5/2014	Keller .....	D16/303
D713,444	S	9/2014	Lee et al.	
D750,155	S	2/2016	Ganovsky et al.	
2005/0241115	A1 *	11/2005	Zoullas .....	A44C 15/003 24/3.3
2007/0236650	A1 *	10/2007	Jain .....	G02C 3/003 351/41
2010/0283960	A1 *	11/2010	Berdou .....	G02C 5/006 351/156

\* cited by examiner

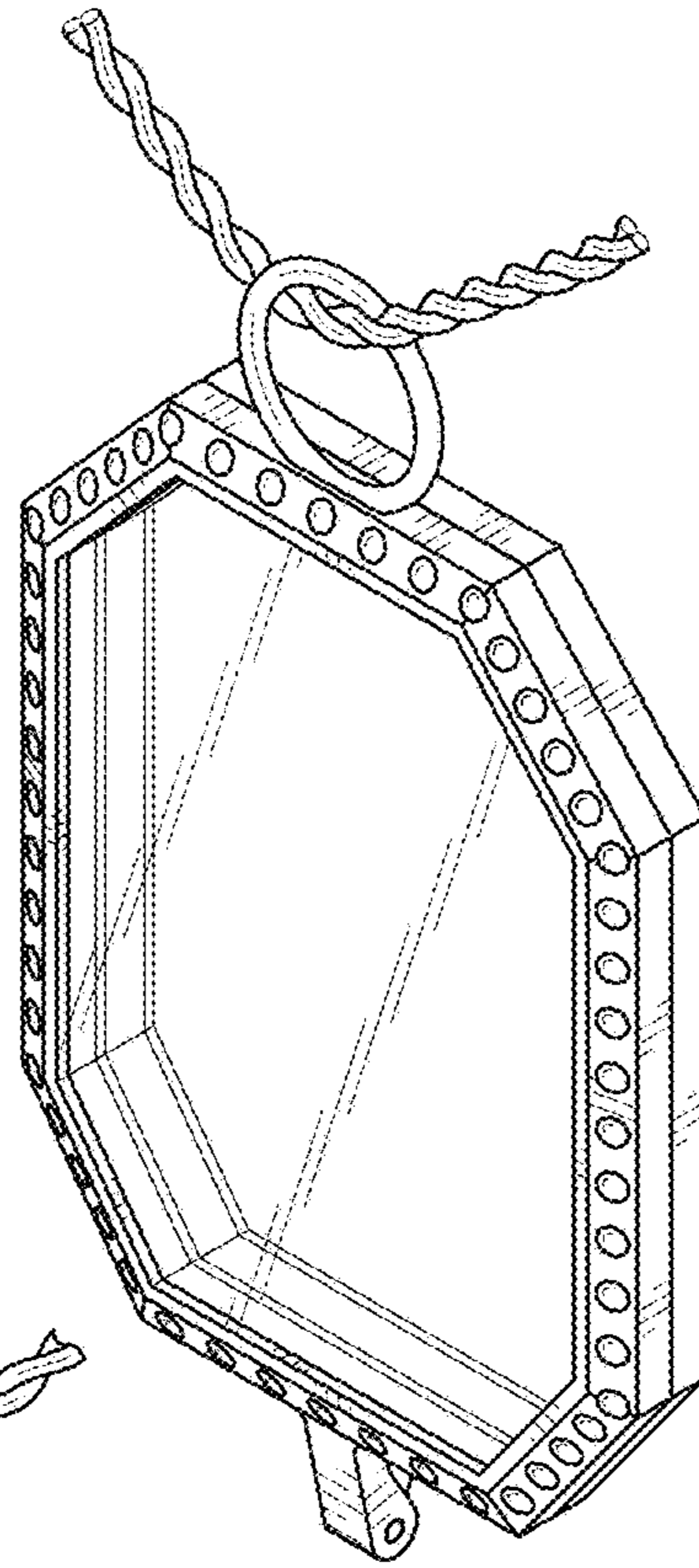


FIG. 1

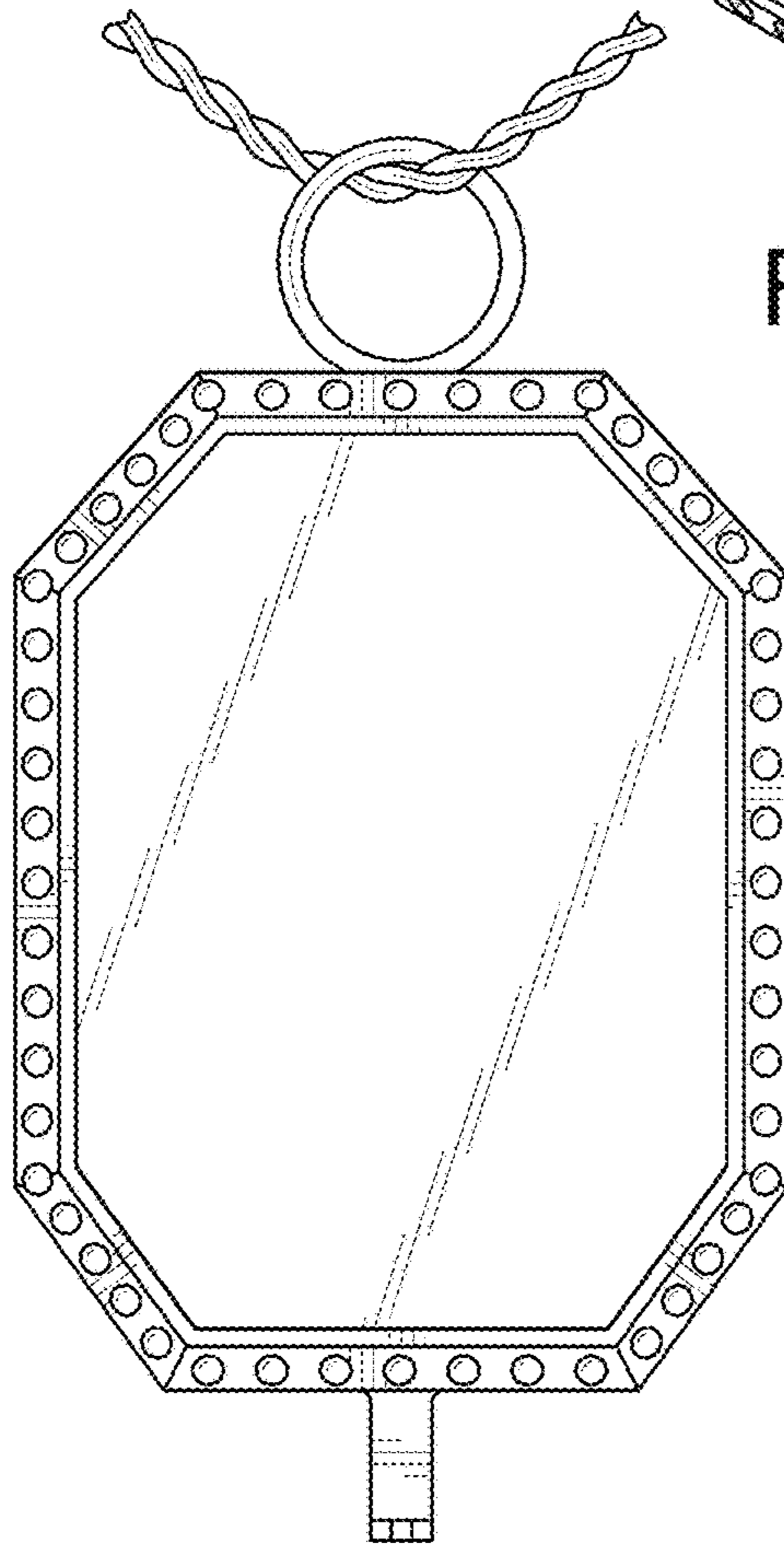


FIG. 2

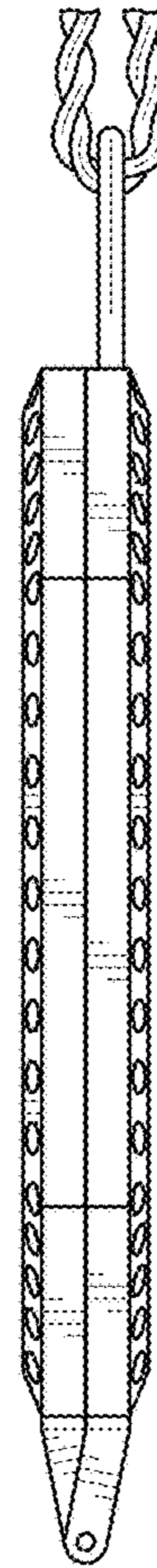


FIG. 3

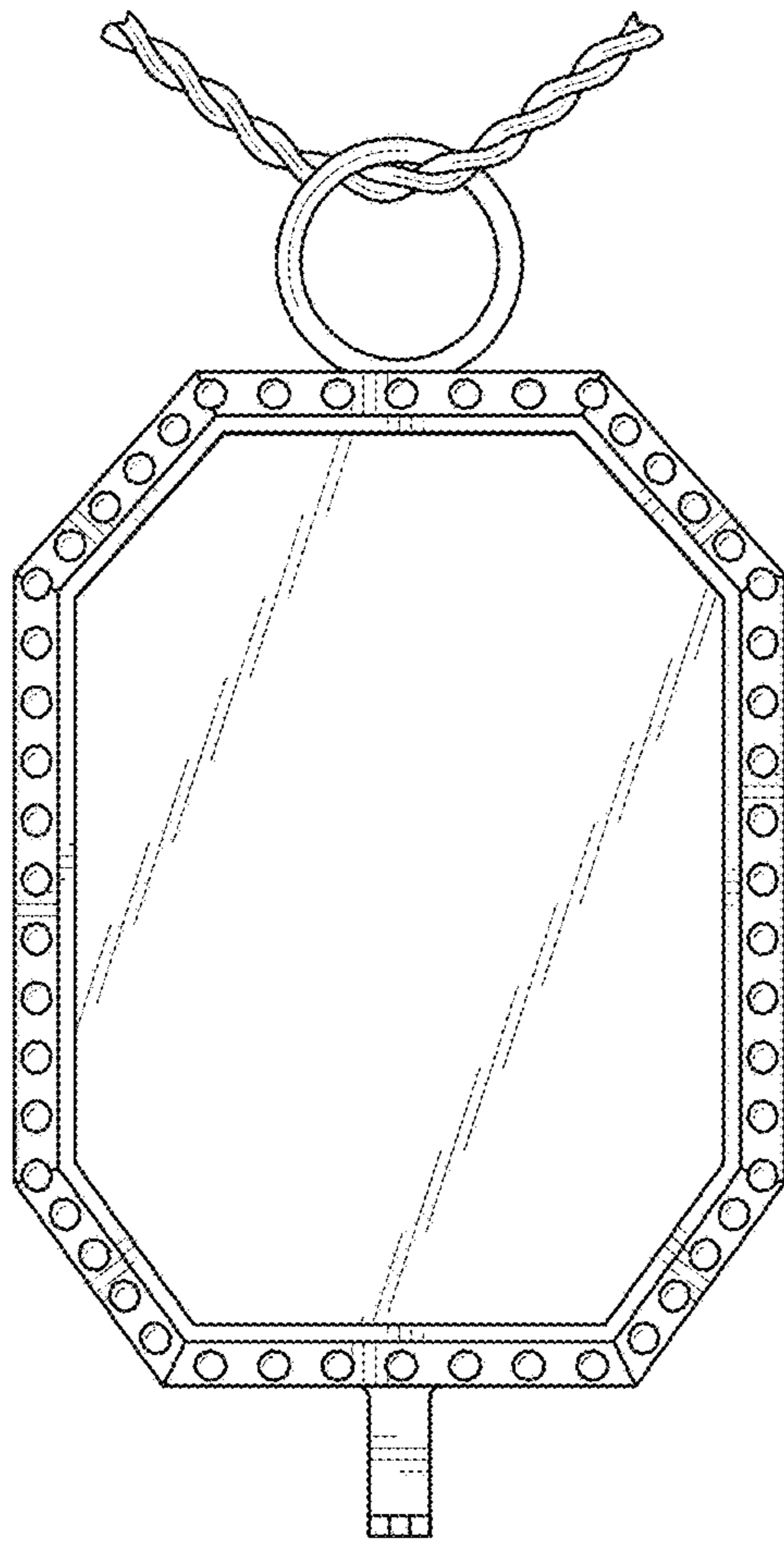


FIG. 4

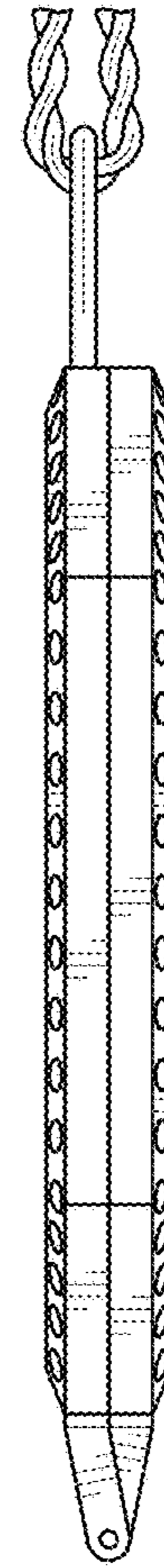


FIG. 5



FIG. 6

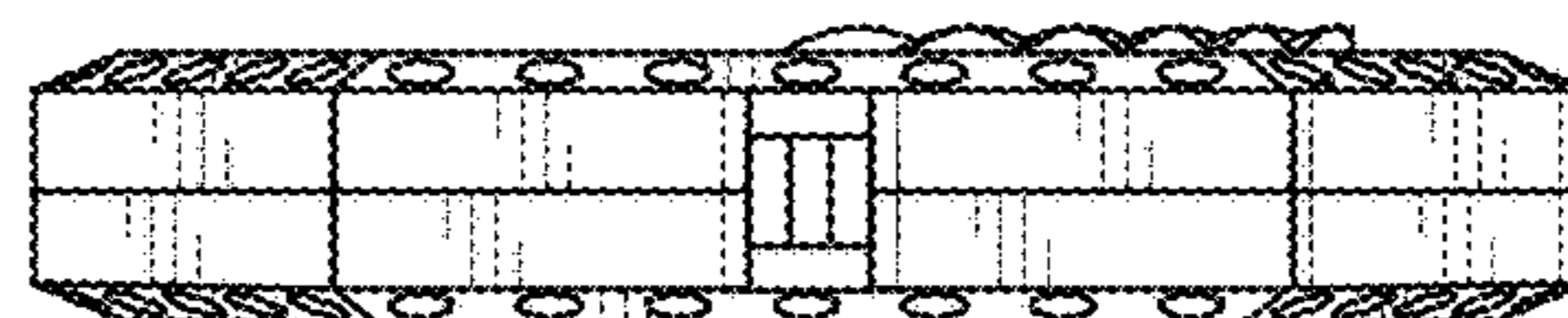


FIG. 7

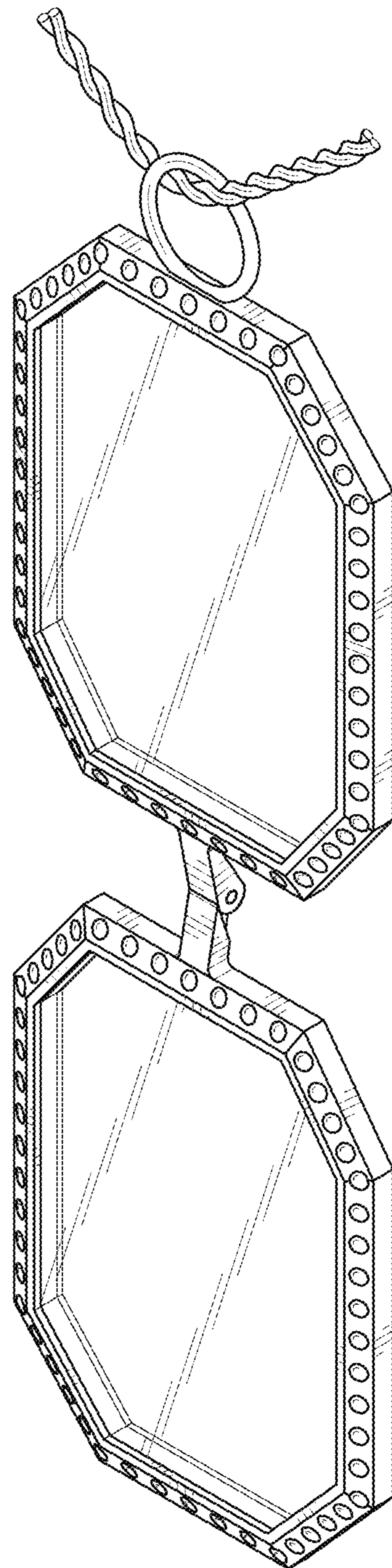


FIG. 8

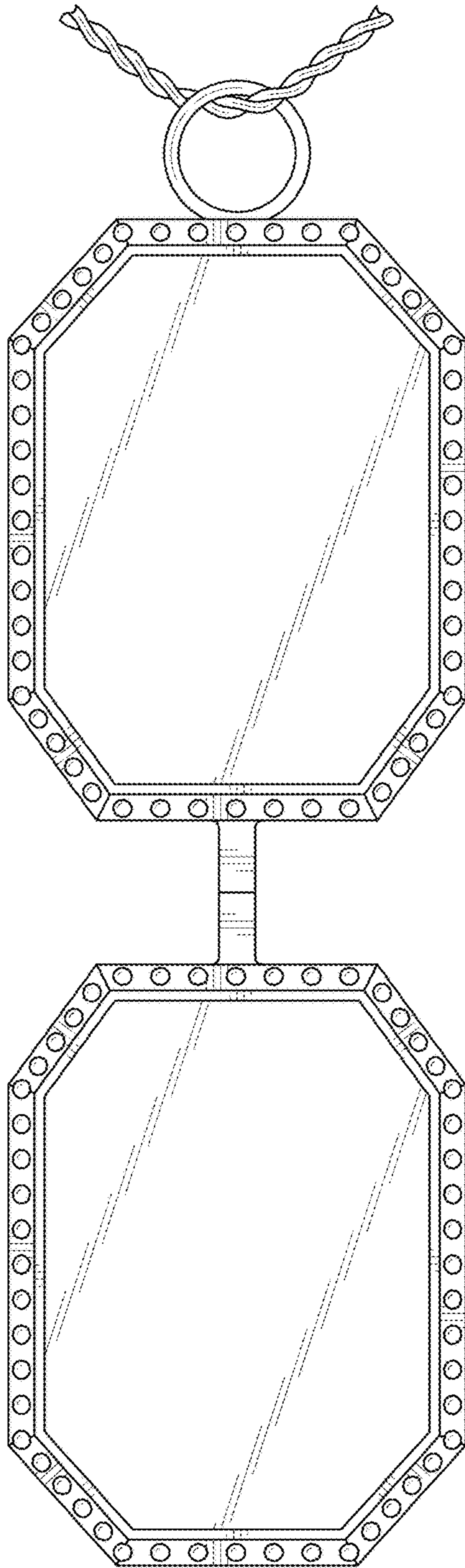


FIG. 9

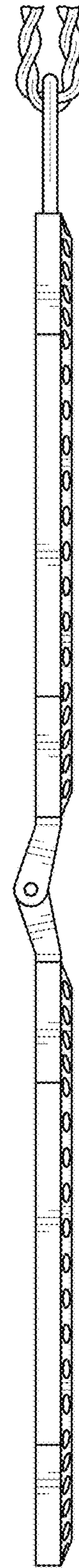


FIG. 10

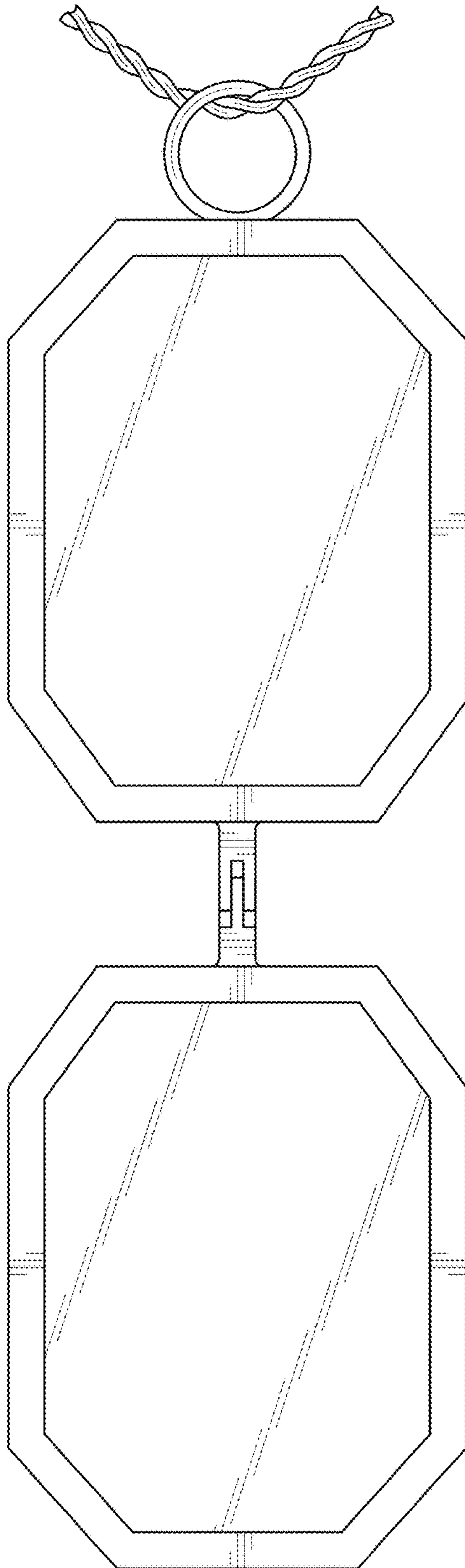


FIG. 11

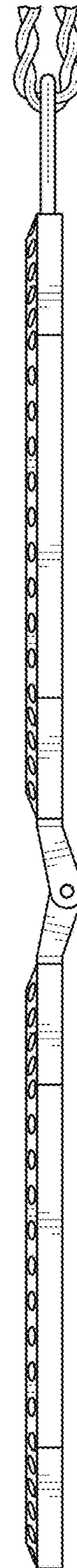


FIG. 12

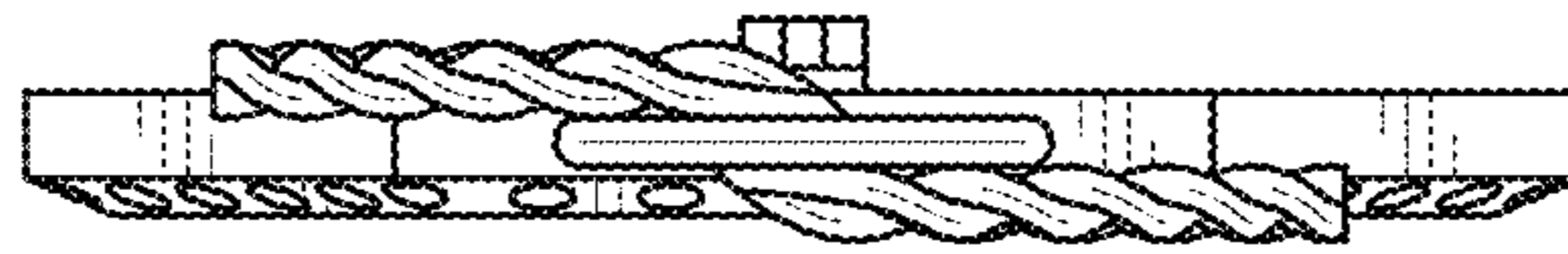


FIG. 13

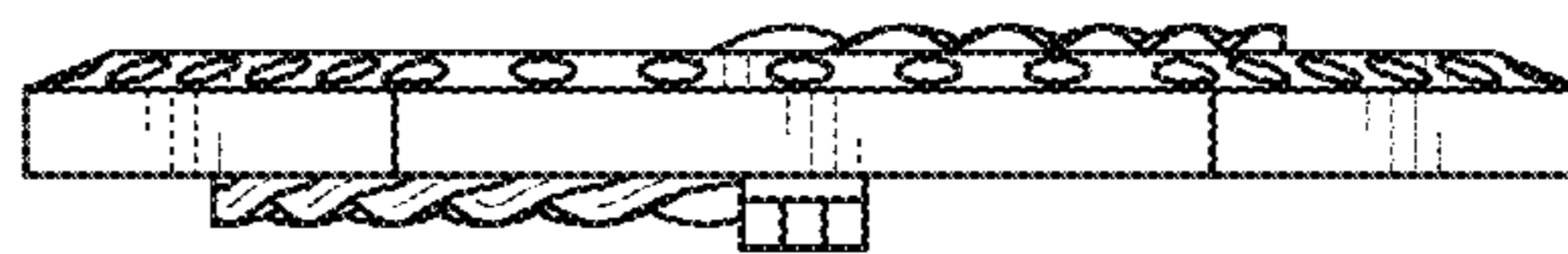


FIG. 14

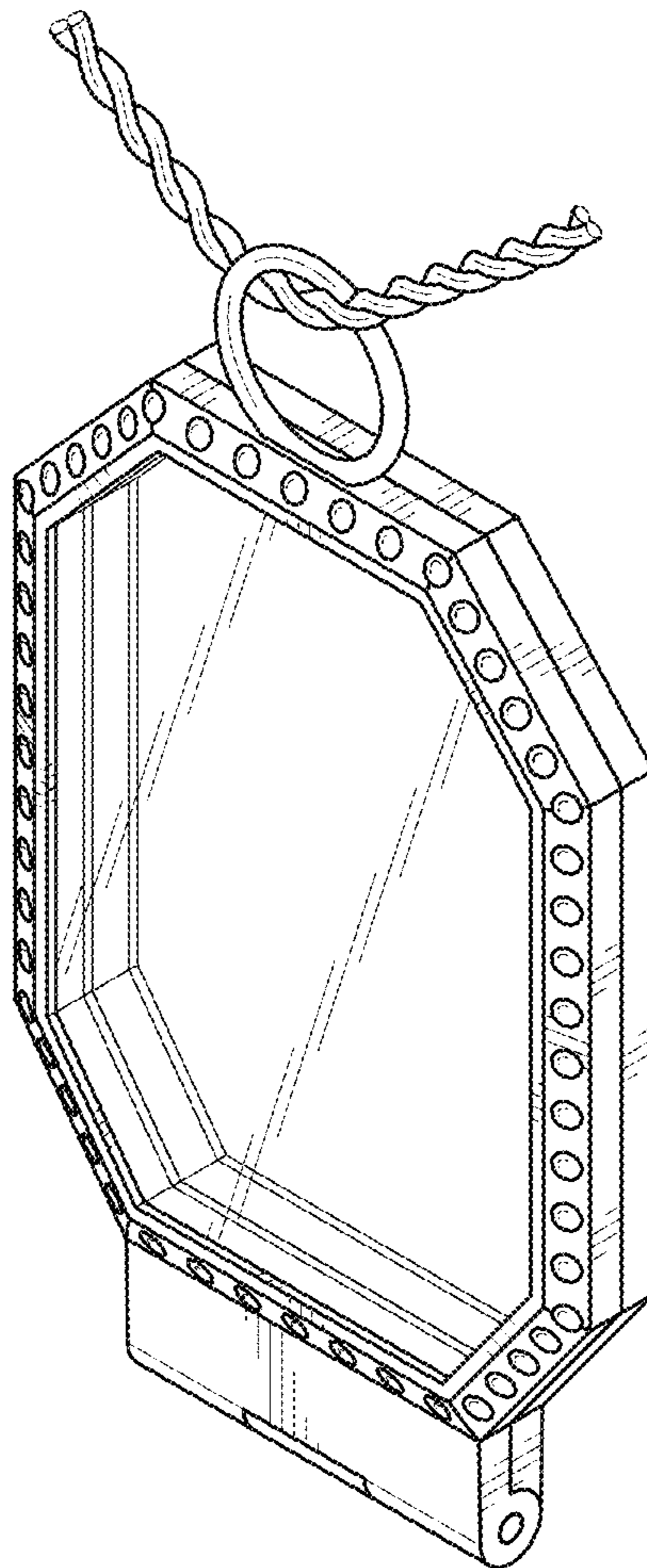


FIG. 15



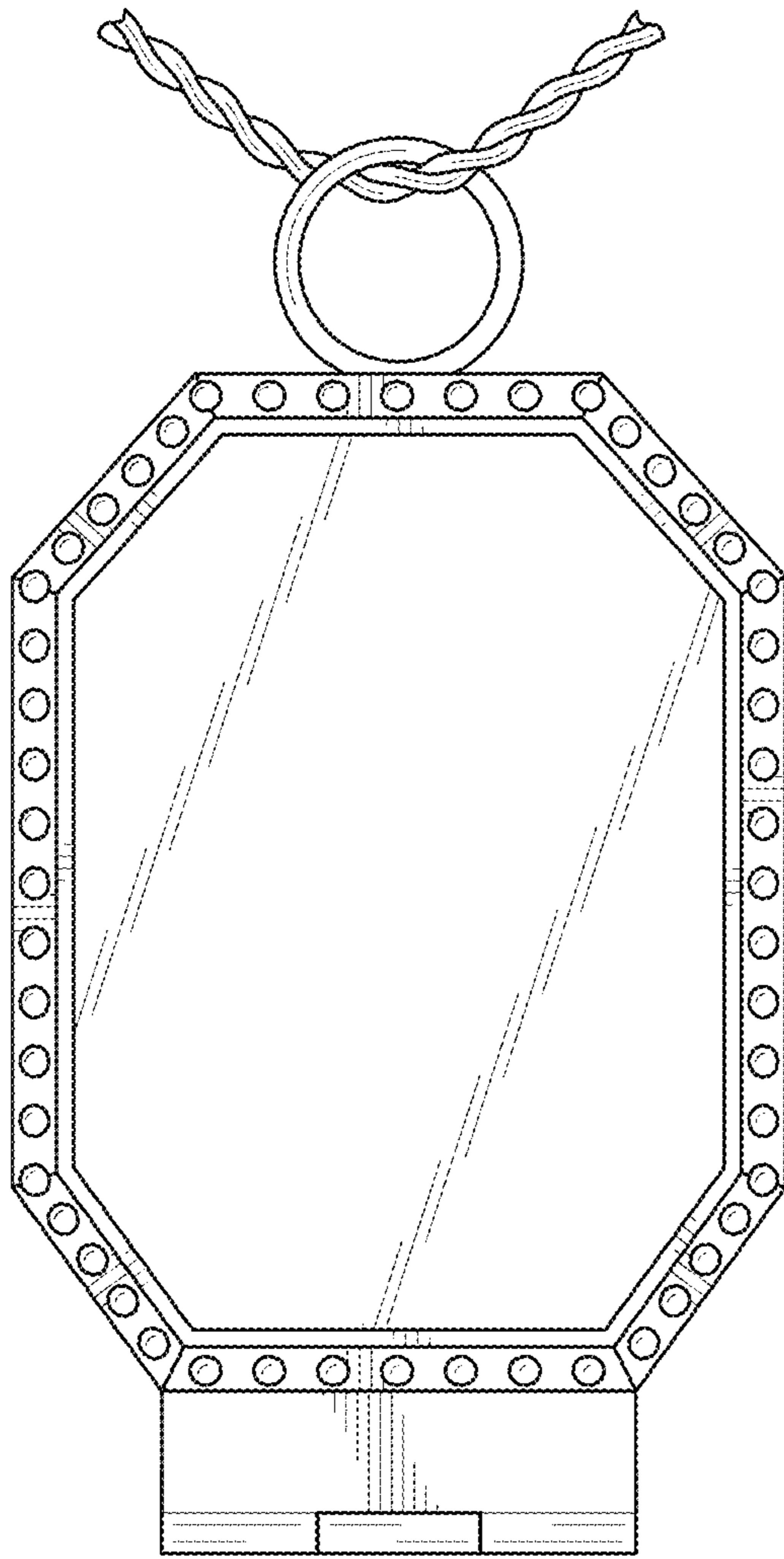


FIG. 16

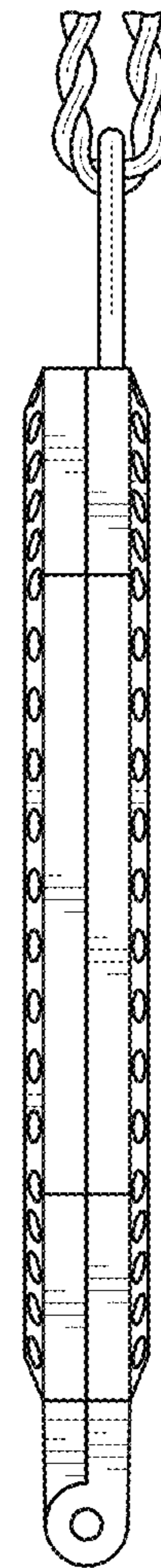


FIG. 17

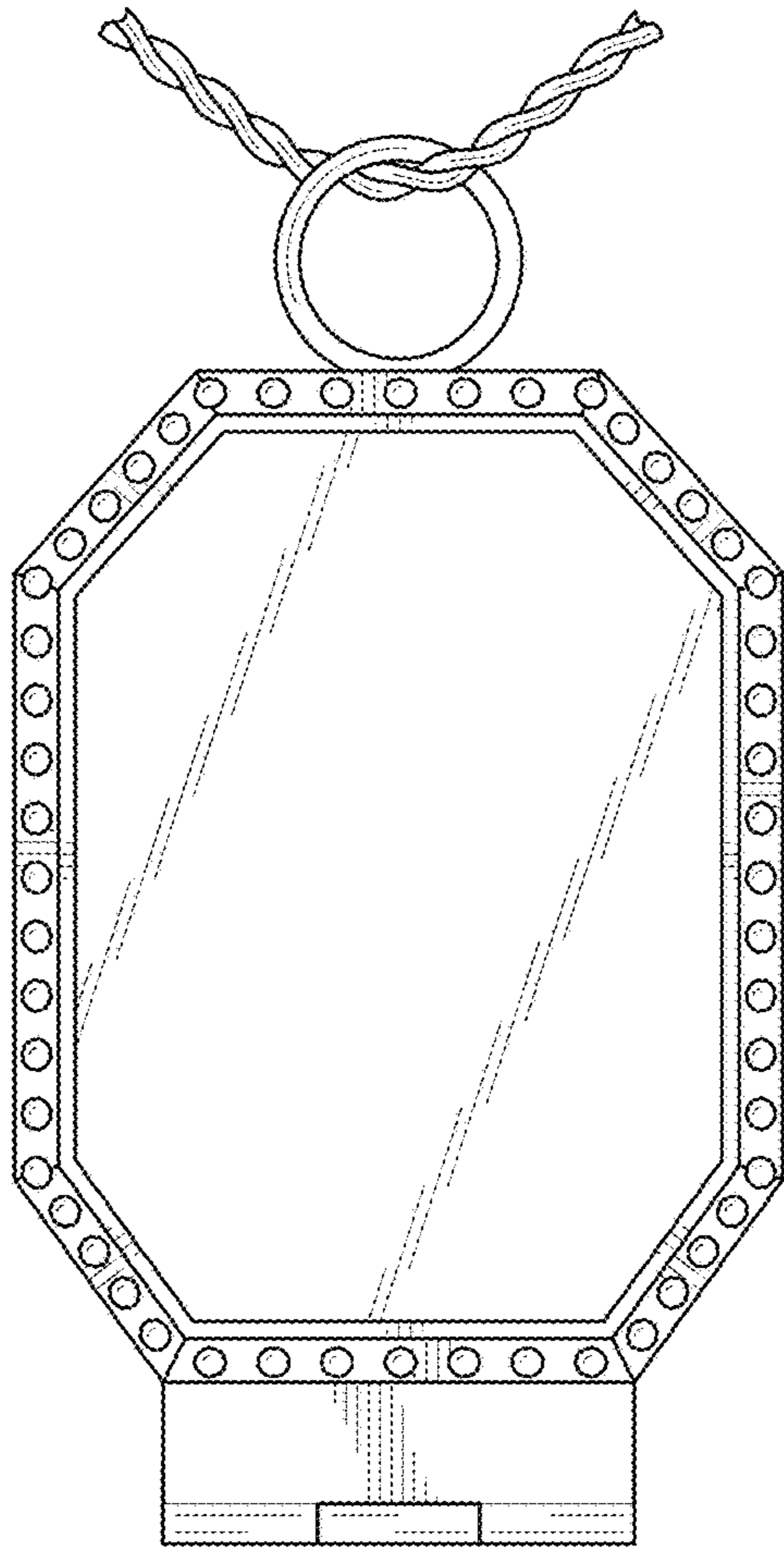


FIG. 18

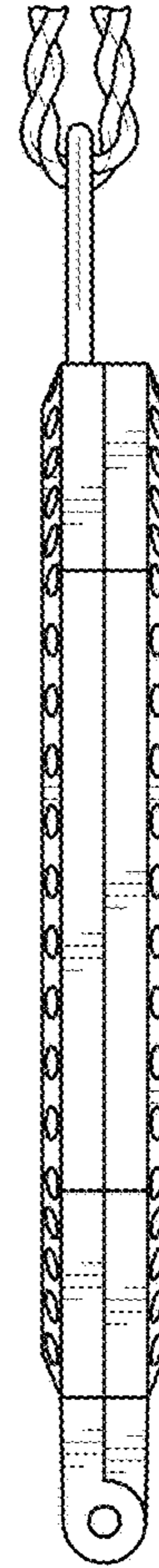


FIG. 19

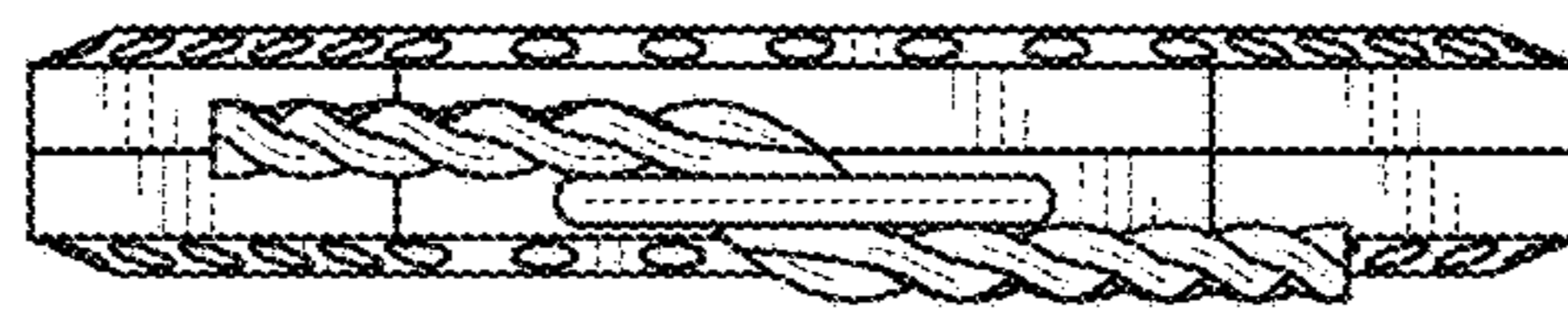


FIG. 20

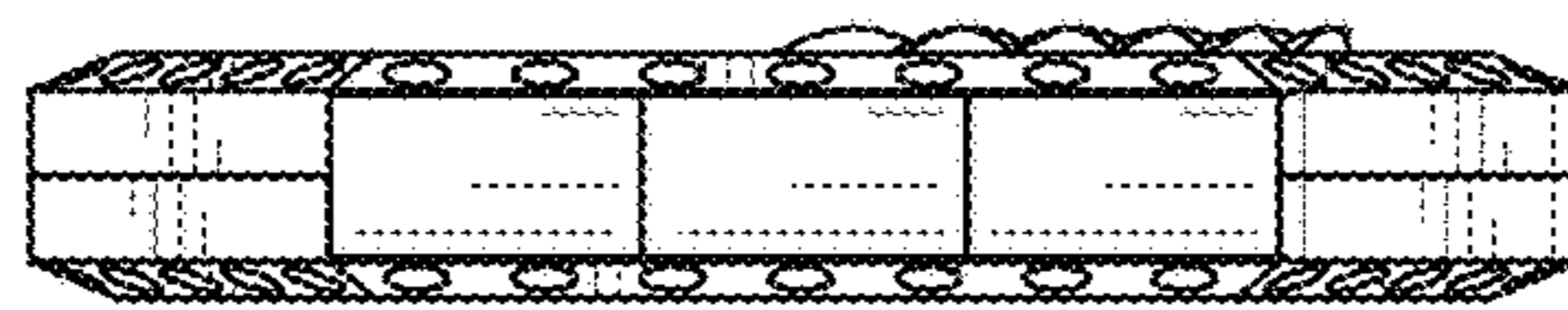


FIG. 21

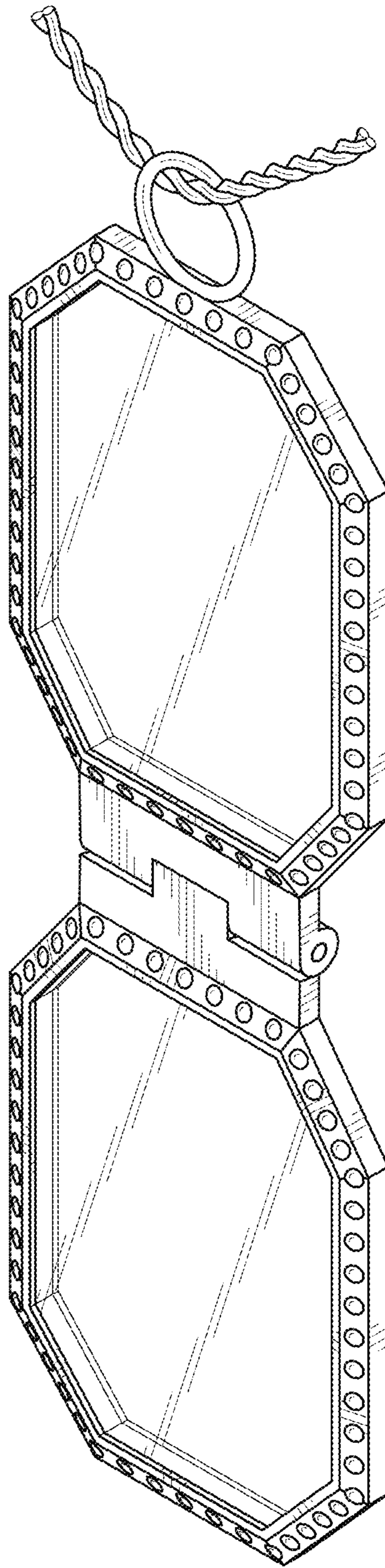


FIG. 22

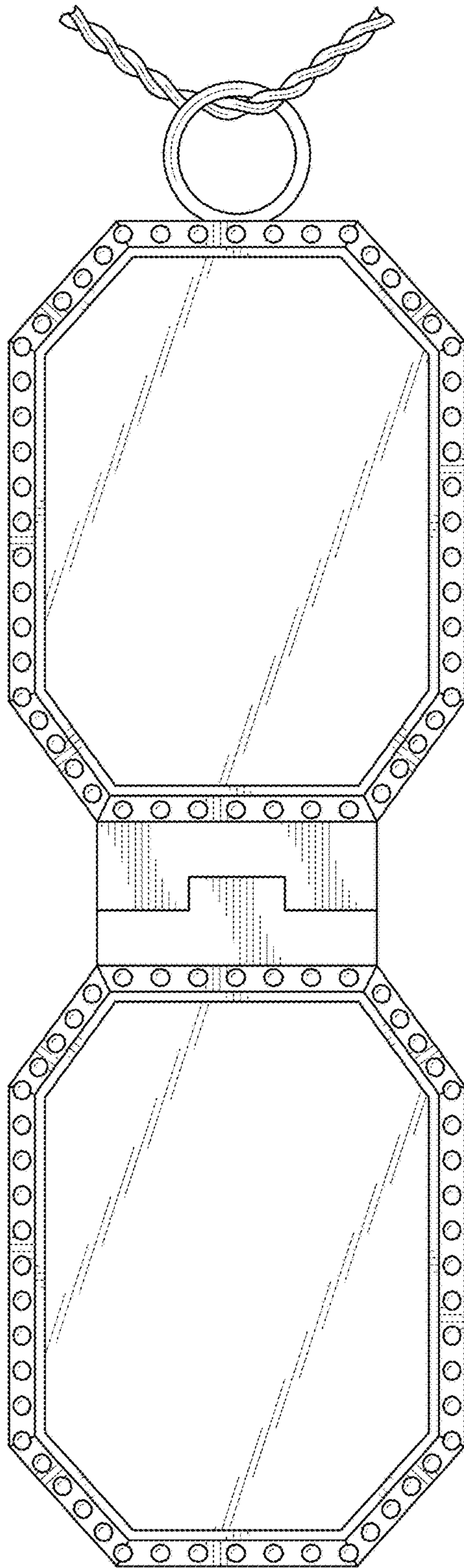


FIG. 23

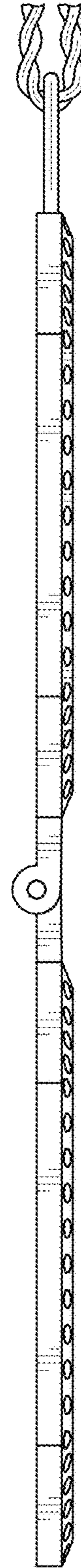


FIG. 24

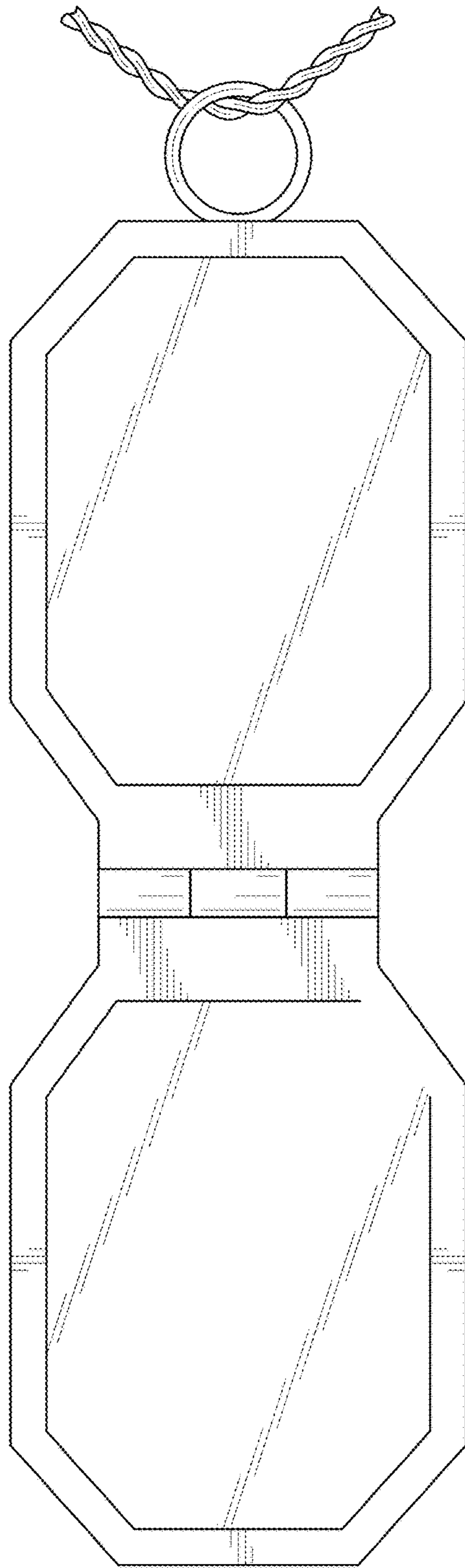


FIG. 25

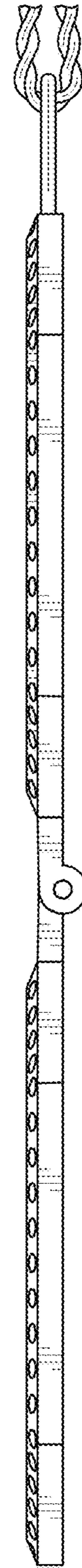


FIG. 26

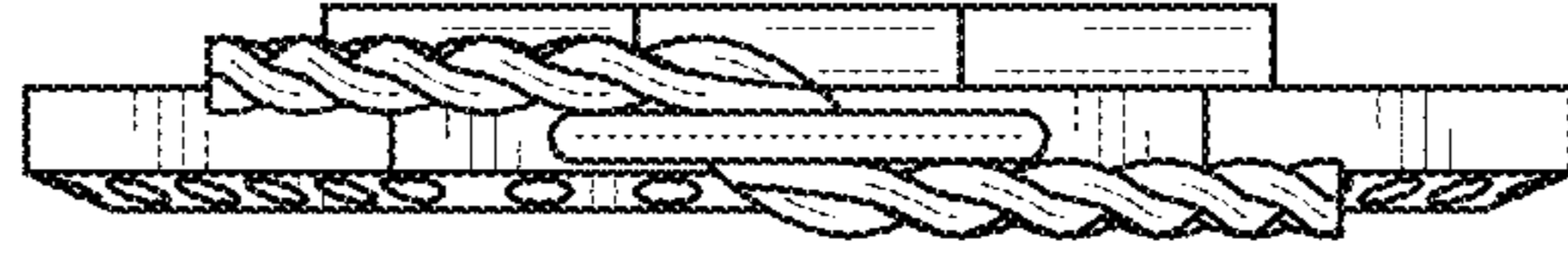


FIG. 27

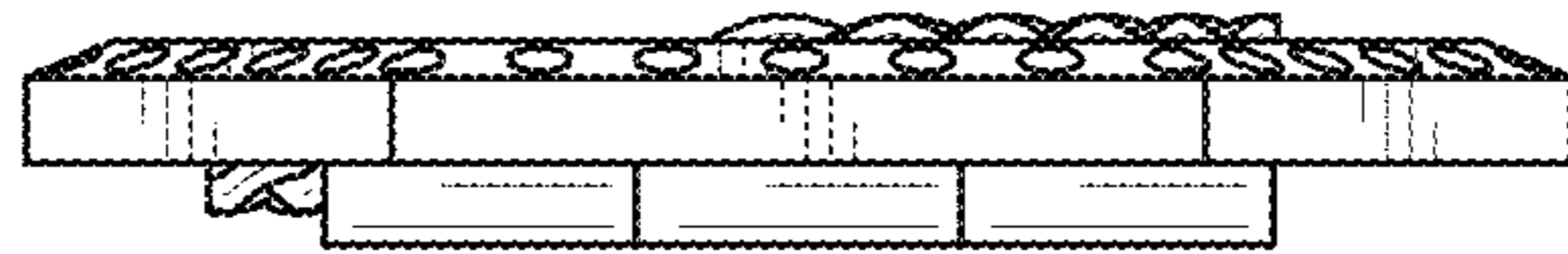


FIG. 28