



US00D777823S

(12) **United States Design Patent** (10) **Patent No.:** **US D777,823 S**
Zeng et al. (45) **Date of Patent:** **** Jan. 31, 2017**

(54) **MICRO PROJECTOR MODULE**

(71) Applicant: **NingBo Sunny Ootech Co., Ltd.**,
Ningbo, Zhejiang (CN)

(72) Inventors: **Junjie Zeng**, Ningbo (CN); **Kouwen Zhang**, Ningbo (CN); **Baozhong Zhang**, Ningbo (CN)

(73) Assignee: **NingBo Sunny Ootech Co., Ltd.**,
Ningbo, Zhejiang (CN)

(**) Term: **14 Years**

(21) Appl. No.: **29/474,927**

(22) Filed: **Mar. 16, 2015**

(30) **Foreign Application Priority Data**

Oct. 17, 2014 (CN) 2014 3 0392595

(51) **LOC (10) Cl.** **16-02**

(52) **U.S. Cl.**
USPC **D16/230; D16/225**

(58) **Field of Classification Search**
USPC D16/221, 225, 230, 234–235, 242;
D21/514
CPC G03B 21/14; G03B 21/00; G03B 21/001;
G03B 21/003; G03B 21/20; G03B 21/145
See application file for complete search history.

(56) **References Cited**

U.S. PATENT DOCUMENTS

D554,685 S * 11/2007 Ishikawa D16/221
D565,081 S * 3/2008 Ishikawa D16/221
8,388,152 B2 * 3/2013 Lee G03B 21/14
353/100

* cited by examiner

Primary Examiner — Wan Laymon
(74) *Attorney, Agent, or Firm* — Raymond Y. Chan;
David and Raymond Patent Firm

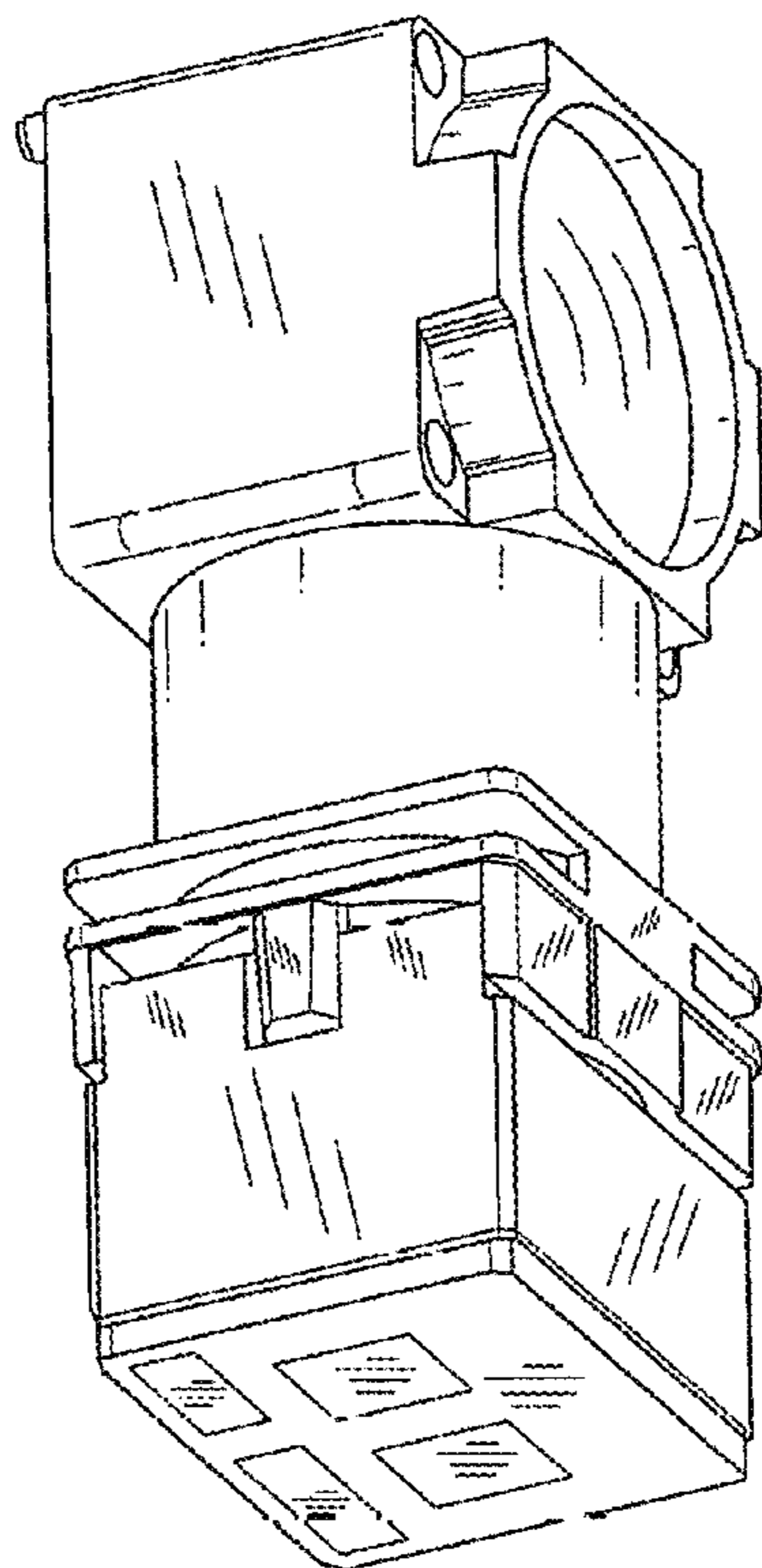
(57) **CLAIM**

The ornamental design for a micro projector module, as shown and described.

DESCRIPTION

FIG. 1 is a front of a micro projector module showing our new design;
FIG. 2 is a rear view thereof;
FIG. 3 is a left view thereof;
FIG. 4 is a right view thereof;
FIG. 5 is a top view thereof;
FIG. 6 is a bottom view thereof; and,
FIG. 7 is a bottom front left side perspective view thereof.
The broken lines represent unclaimed portions of the design article. All of the broken lines forms no part of the claimed design.

1 Claim, 7 Drawing Sheets



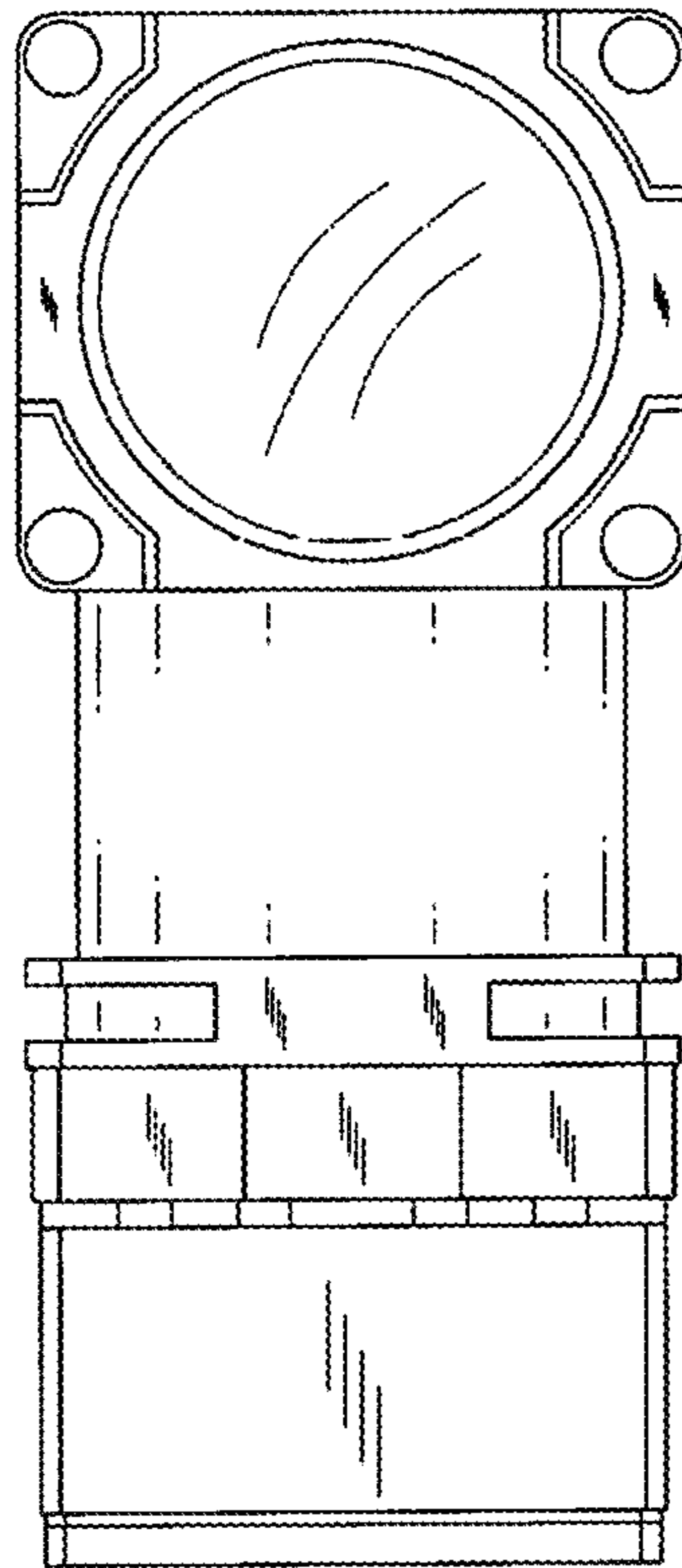


FIG.1

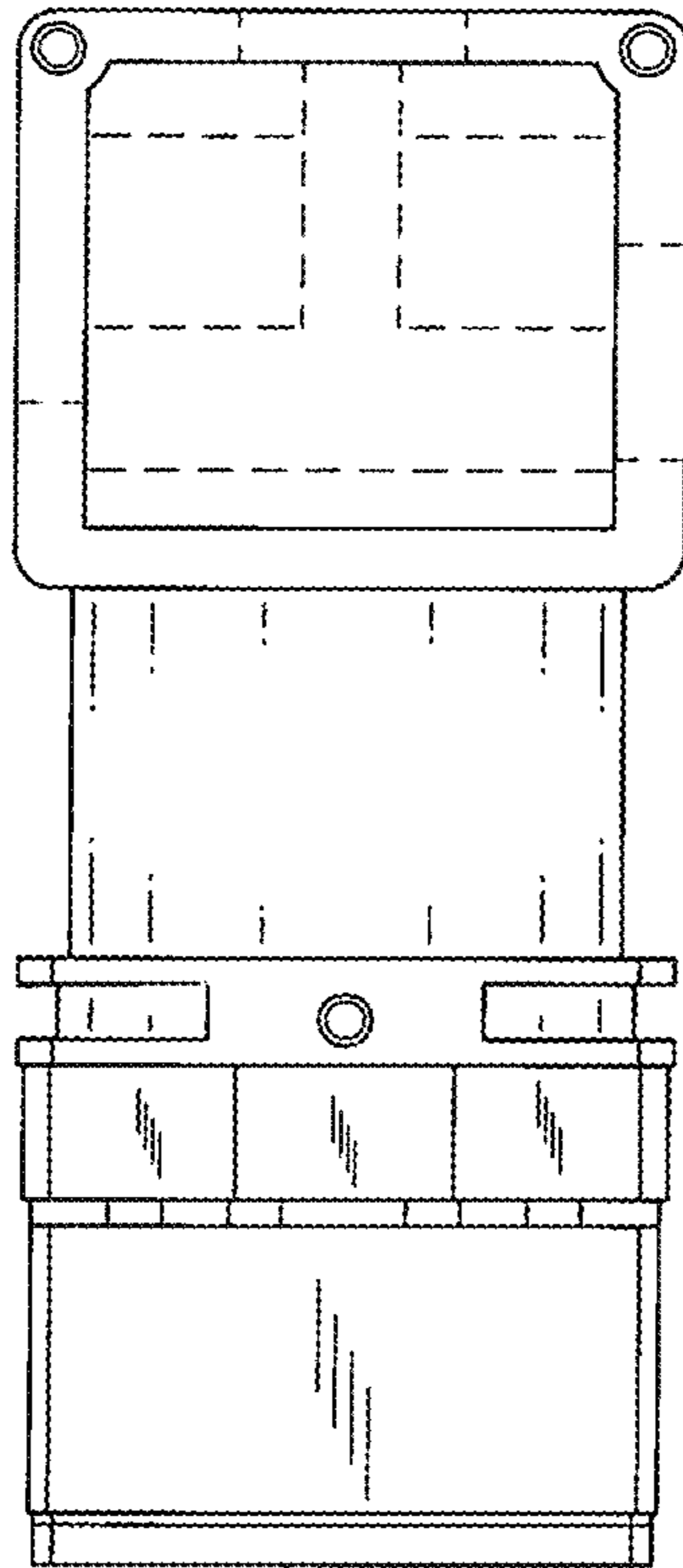


FIG.2

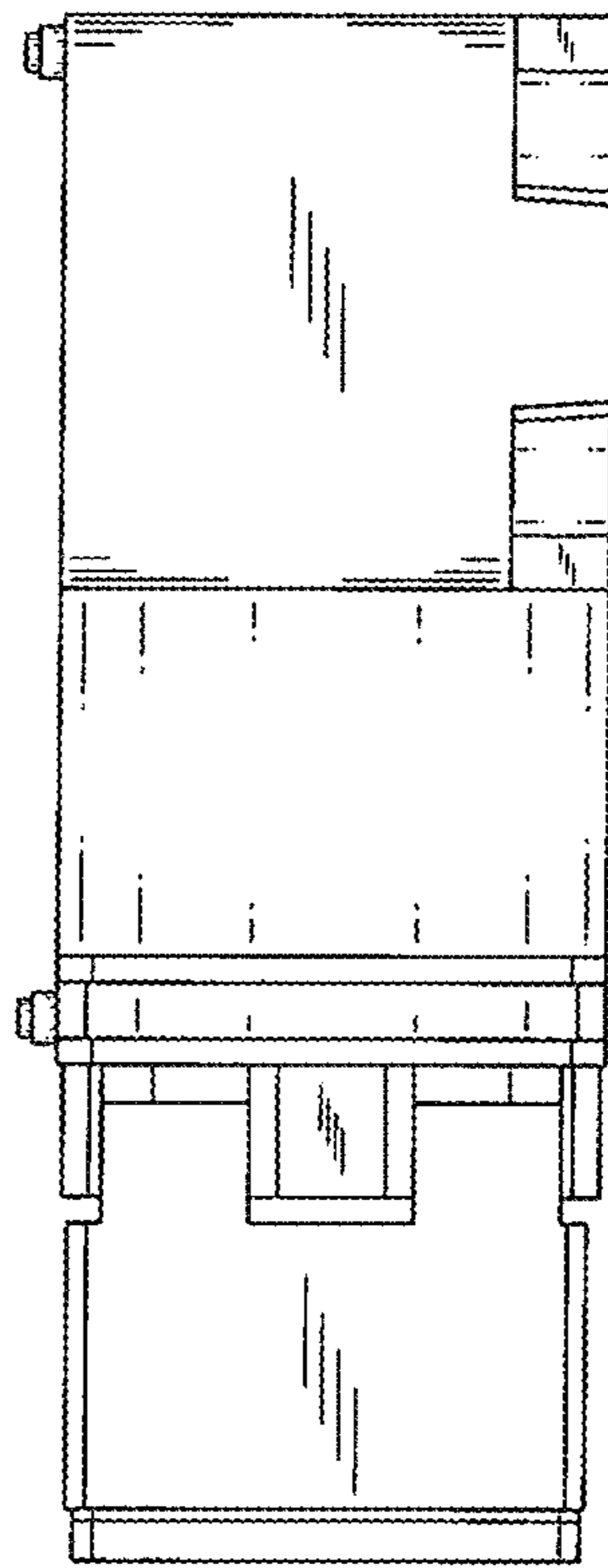


FIG.3

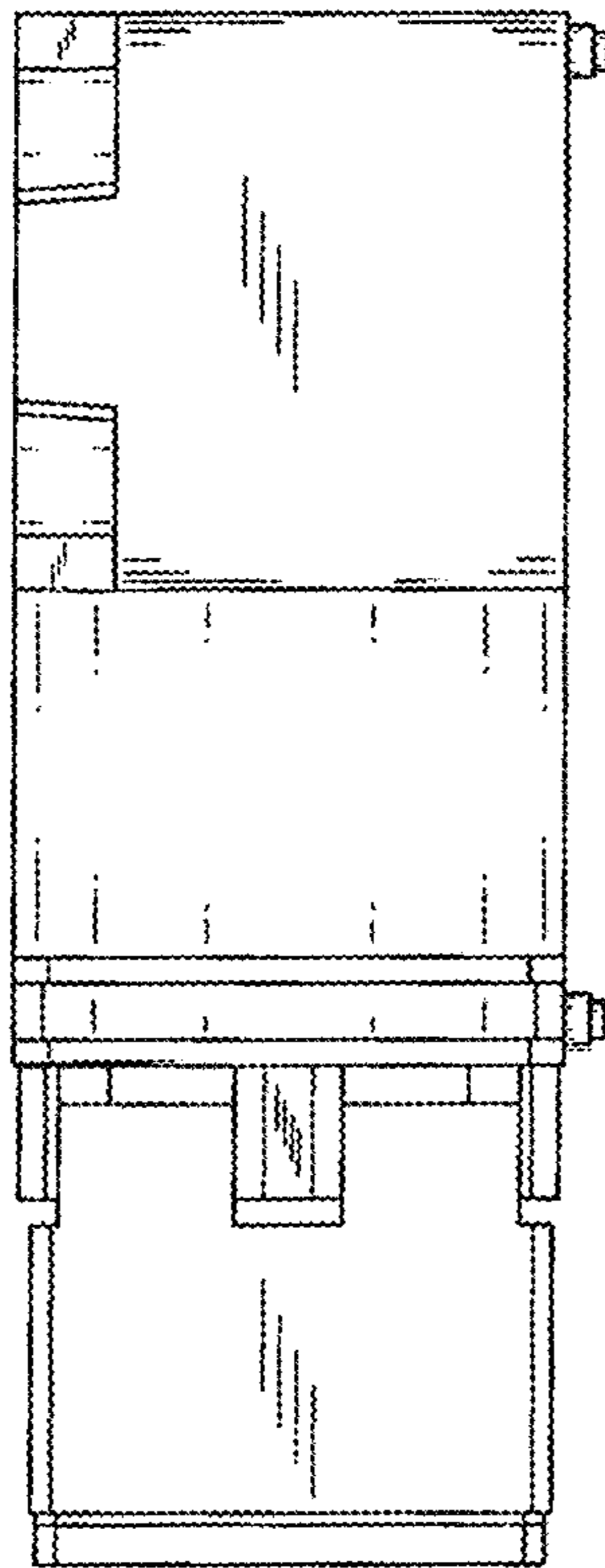


FIG.4

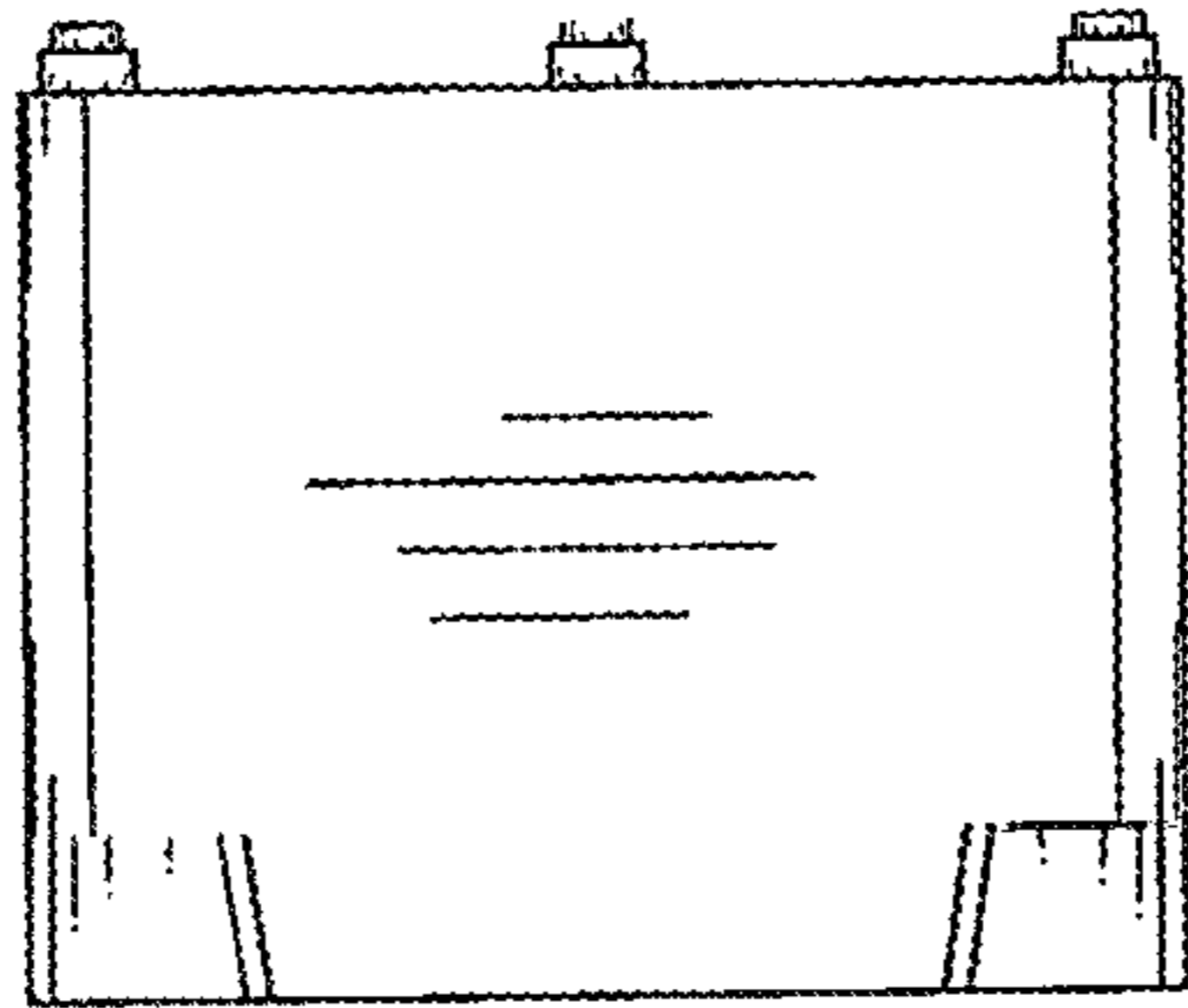


FIG.5

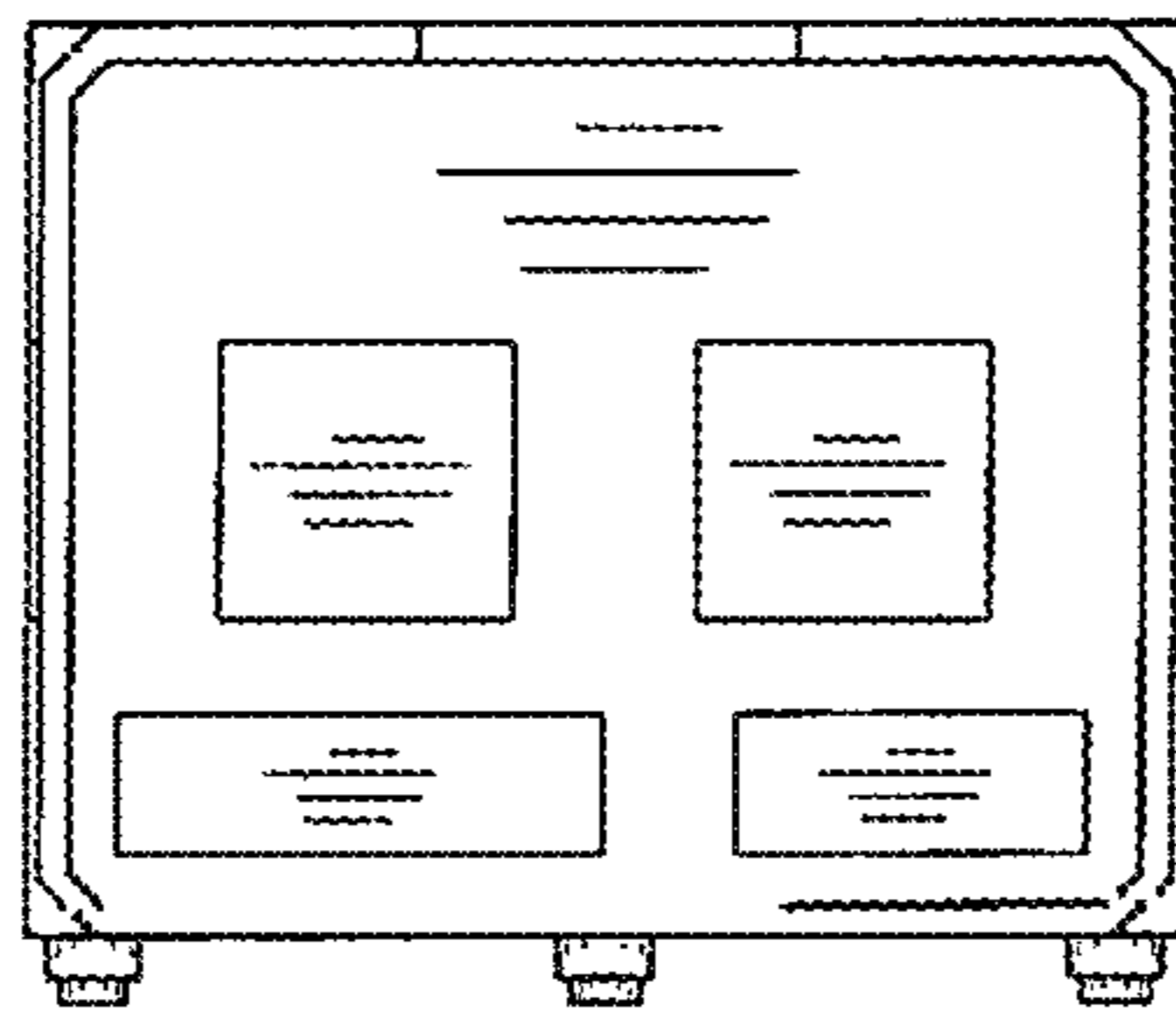


FIG.6

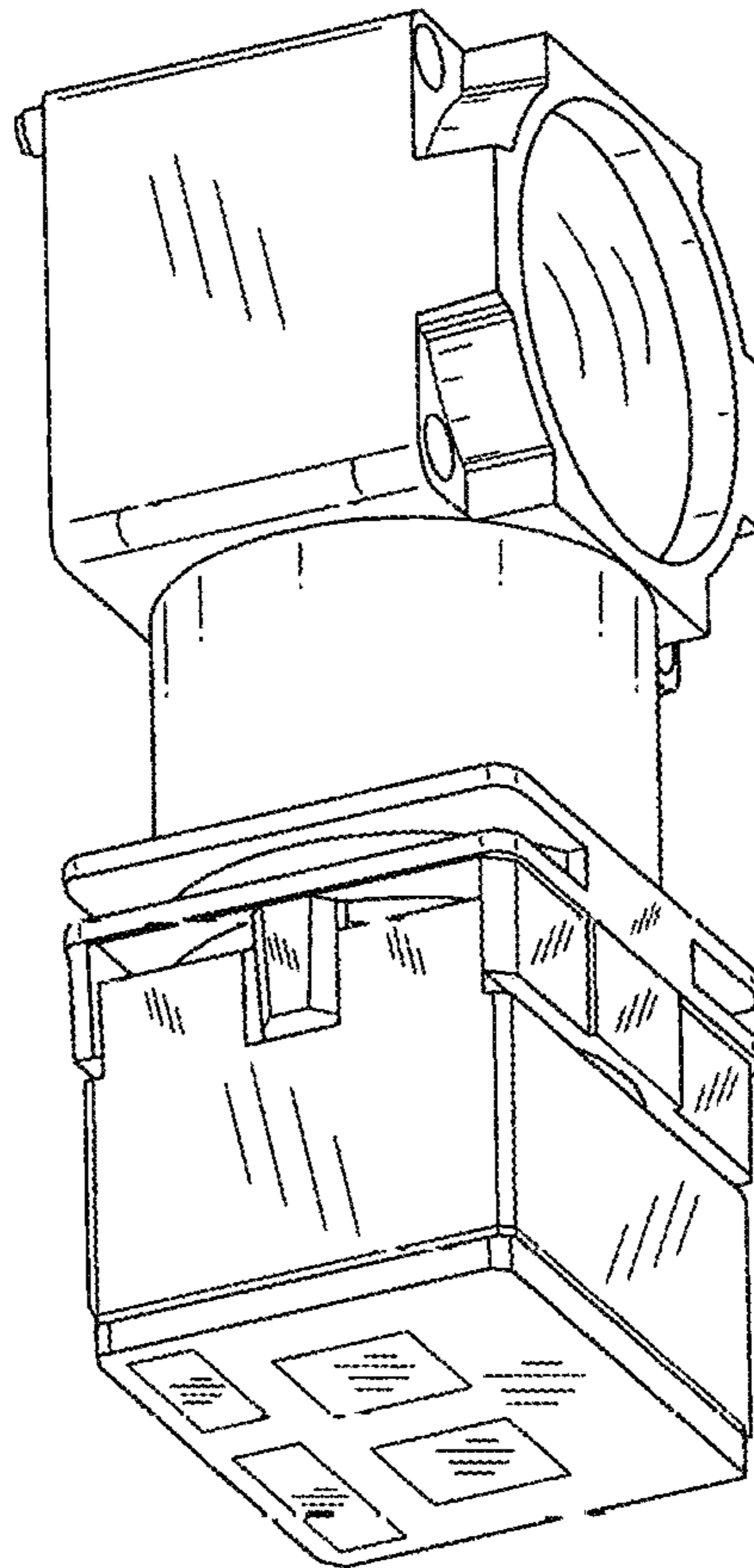


FIG.7