



US00D777822S

(12) **United States Design Patent**
Velazquez

(10) **Patent No.:** **US D777,822 S**

(45) **Date of Patent:** **** Jan. 31, 2017**

(54) **HYBRID EFFECTS PROJECTOR, SCANNER AND LASER SIMULATOR LIGHTING DEVICE WITH ADJUSTABLE MOUNTING BRACKET**

D727,999 S * 4/2015 Yuyama D16/230
2015/0062902 A1* 3/2015 Velazquez F21V 21/14
362/249.07
2016/0006996 A1* 1/2016 Mukai G03B 21/145
348/789

(71) Applicant: **ELATION LIGHTING, INC.**, Los Angeles, CA (US)

OTHER PUBLICATIONS

Elation Sniper 2R Laser Simulator Nightclub Beam Light Scanner. Copyright 2016. [Retrieved on Feb. 25, 2016]. Retrieved from the Internet: <URL: <http://www.google.com/images>>.*

(72) Inventor: **Toby Velazquez**, Yorba Linda, CA (US)

* cited by examiner

(73) Assignee: **Elation Lighting, Inc.**, Los Angeles, CA (US)

Primary Examiner — Wan Laymon

(**) Term: **14 Years**

(74) *Attorney, Agent, or Firm* — Sherman IP LLP; Kenneth L. Sherman; Joshua A. Schaul

(21) Appl. No.: **29/520,933**

(57) **CLAIM**

(22) Filed: **Mar. 18, 2015**

The ornamental design for a hybrid effects projector, scanner and laser simulator lighting device with adjustable mounting bracket, as shown and described.

(51) **LOC (10) Cl.** **16-02**

(52) **U.S. Cl.**

USPC **D16/225; D16/234**

(58) **Field of Classification Search**

USPC D16/221, 225, 229–232, 234–235, 203; D21/514; D14/420, 423; D26/51–52

CPC G03B 21/00; G03B 21/005; G03B 21/14; G03B 21/145; G03B 21/208; F21V 21/14

See application file for complete search history.

DESCRIPTION

FIG. 1 is a rear perspective view of a hybrid effects projector, scanner and laser simulator lighting device with adjustable mounting bracket;

FIG. 2 is a front perspective view thereof;

FIG. 3 is a rear view thereof;

FIG. 4 is a front view thereof;

FIG. 5 is a right side view thereof;

FIG. 6 is a left side view thereof;

FIG. 7 is a top view thereof; and,

FIG. 8 is a bottom view thereof.

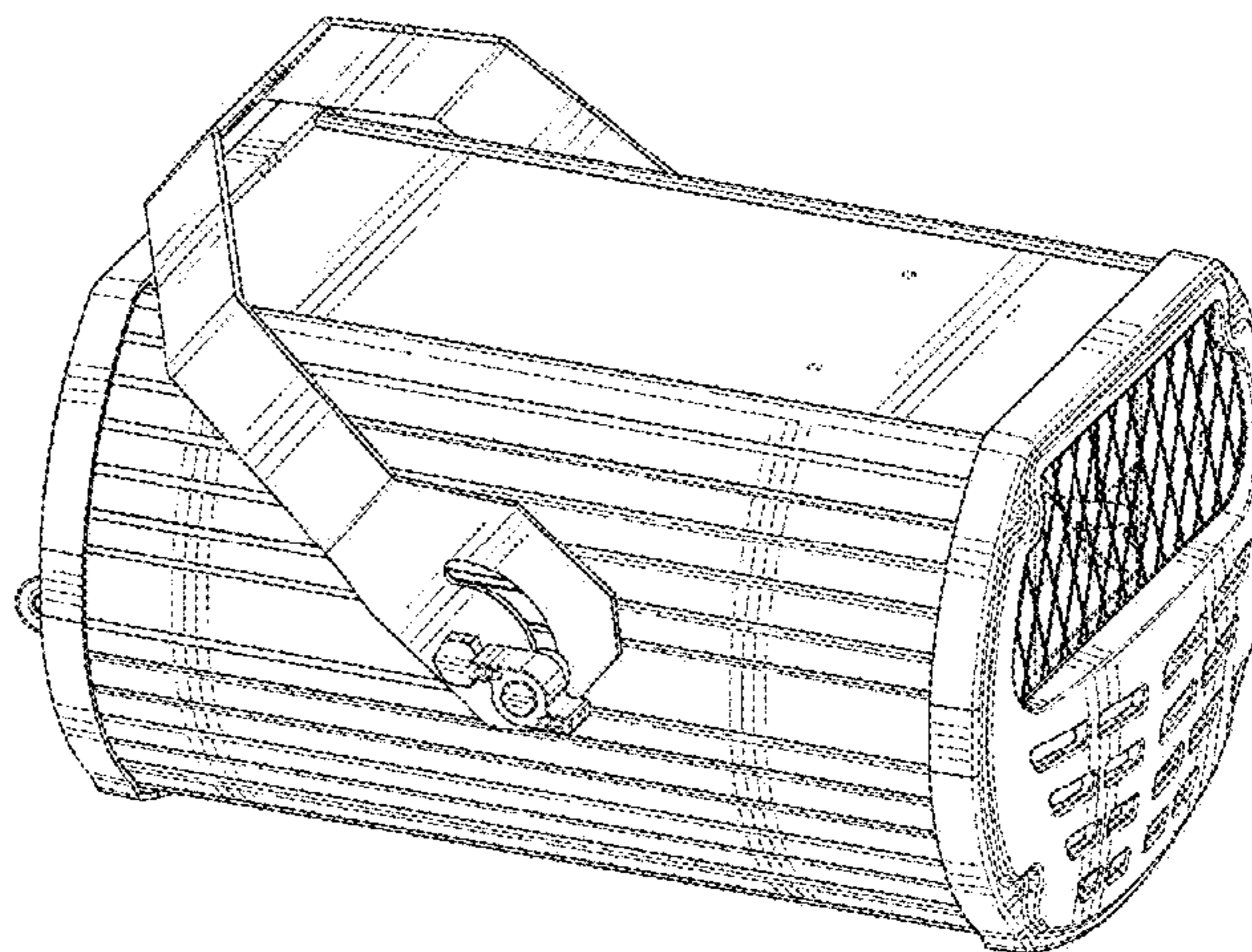
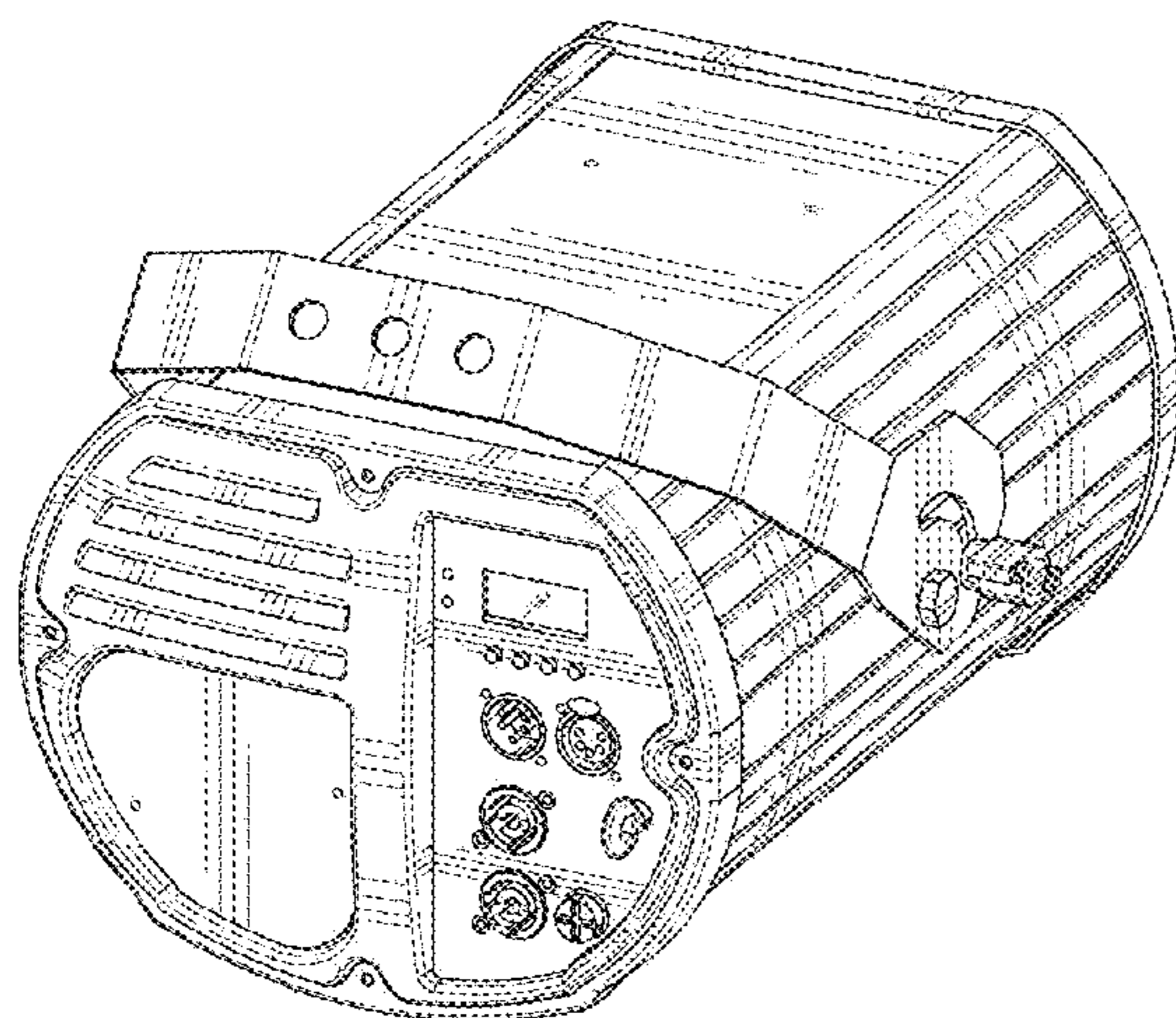
The broken line showing of the hybrid effects projector, scanner and laser simulator lighting device with adjustable mounting bracket is for the purpose of illustrating environmental structure and forms no part of the claimed design.

(56) **References Cited**

U.S. PATENT DOCUMENTS

6,926,427 B2* 8/2005 Tawil G03B 21/00
362/281
8,061,858 B2* 11/2011 Belliveau G03B 21/145
348/789
8,955,979 B2* 2/2015 Velazquez G03B 21/14
313/500

1 Claim, 8 Drawing Sheets



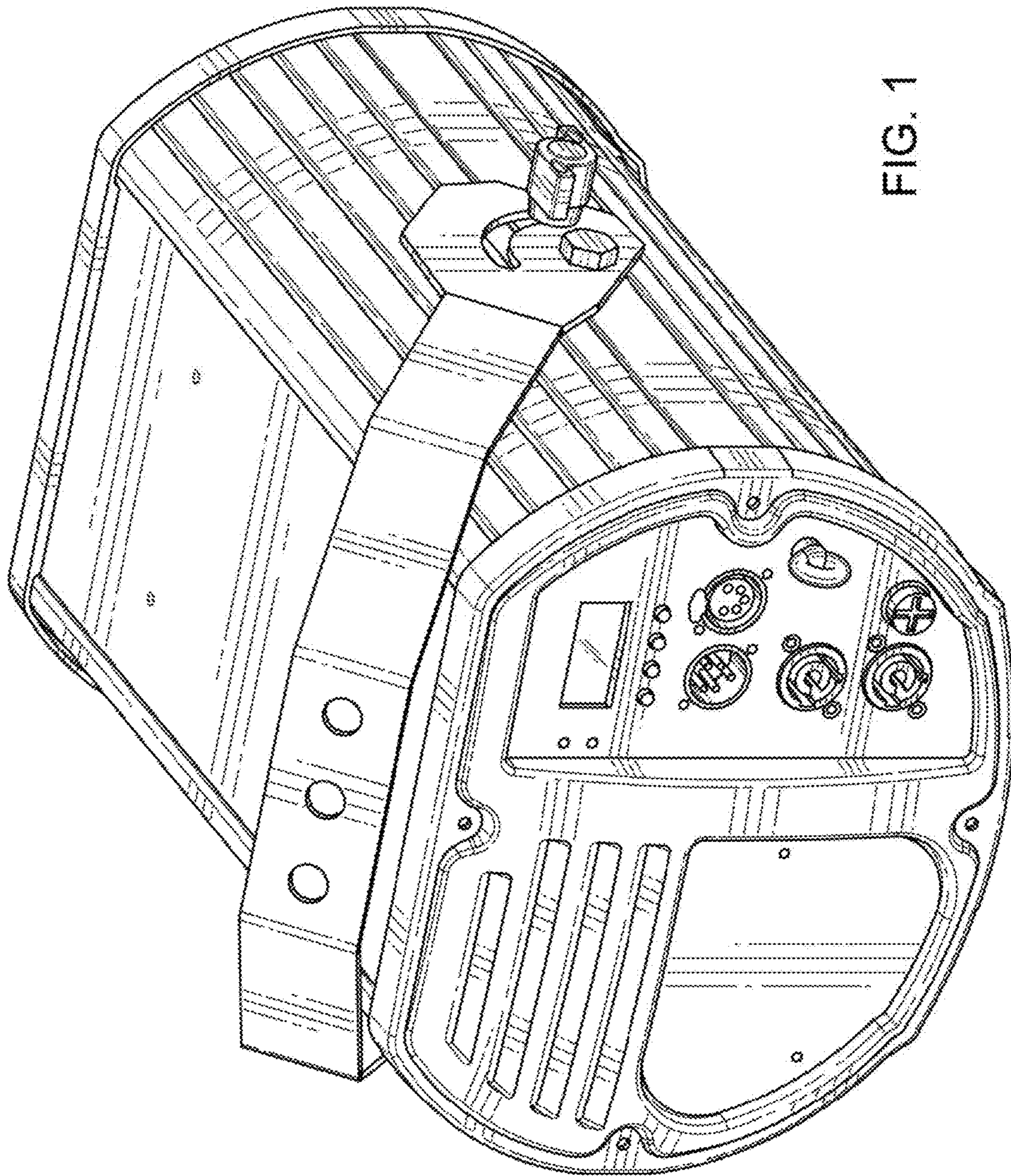


FIG. 1

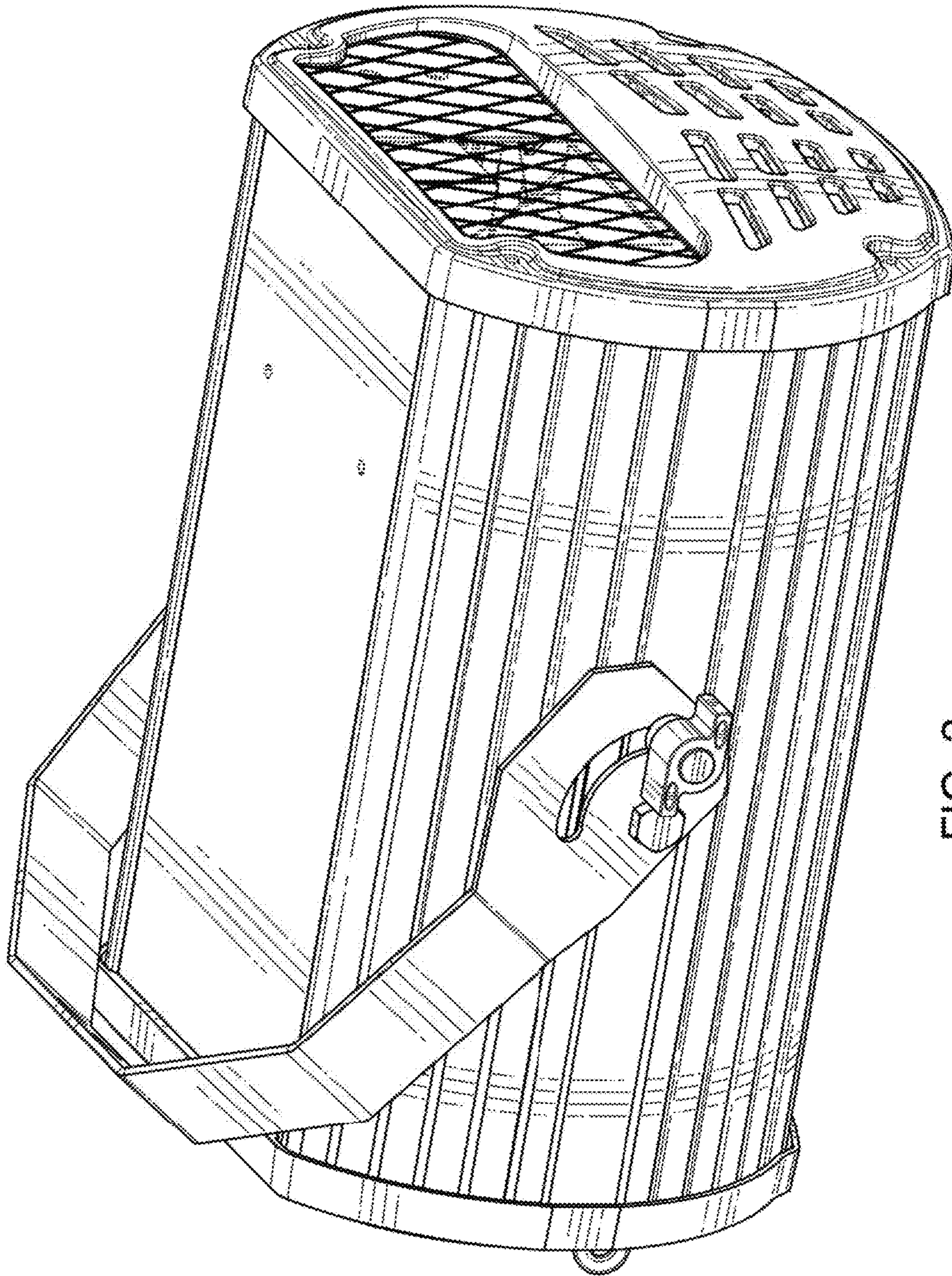


FIG. 2

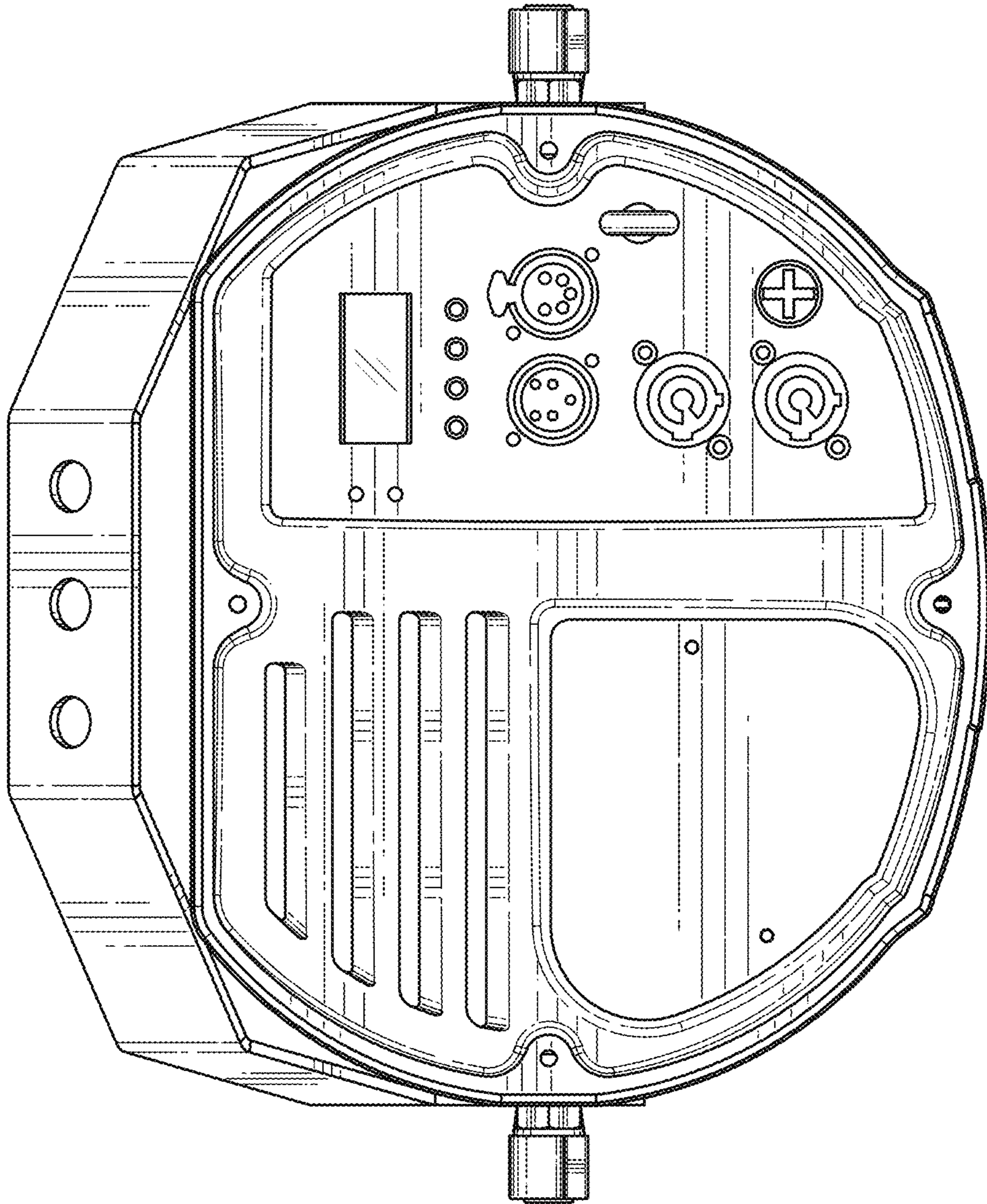


FIG. 3

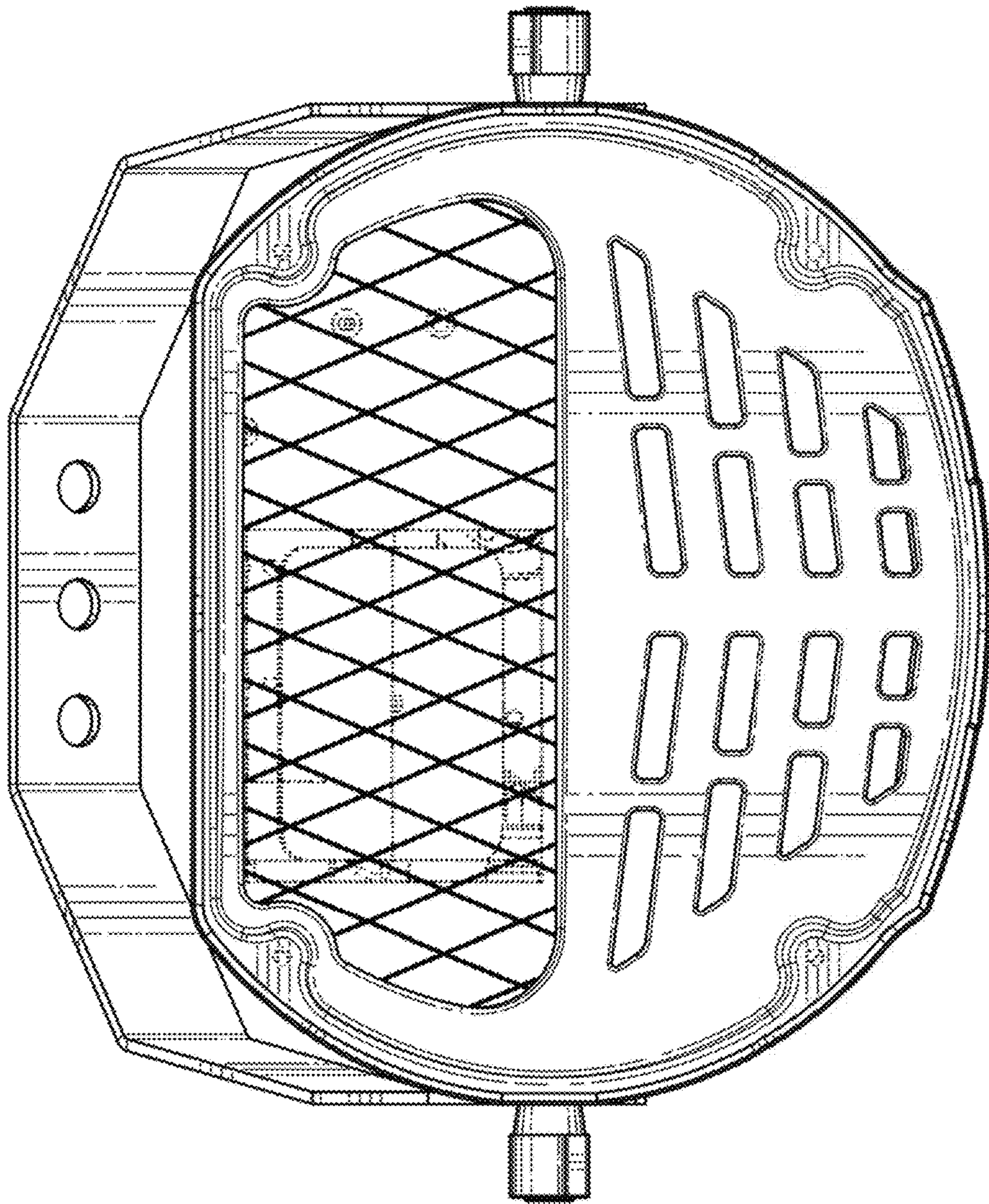


FIG. 4

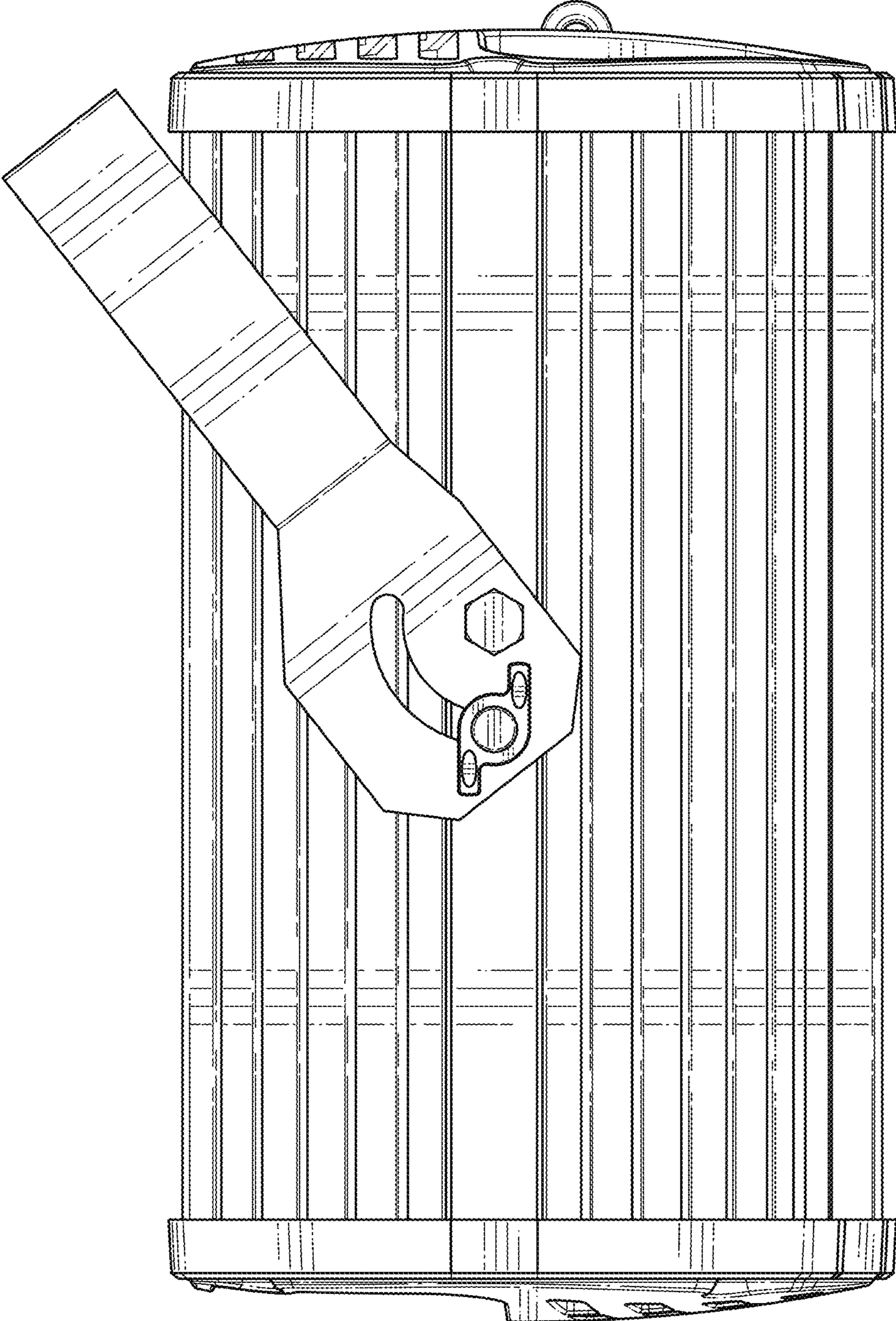


FIG. 5

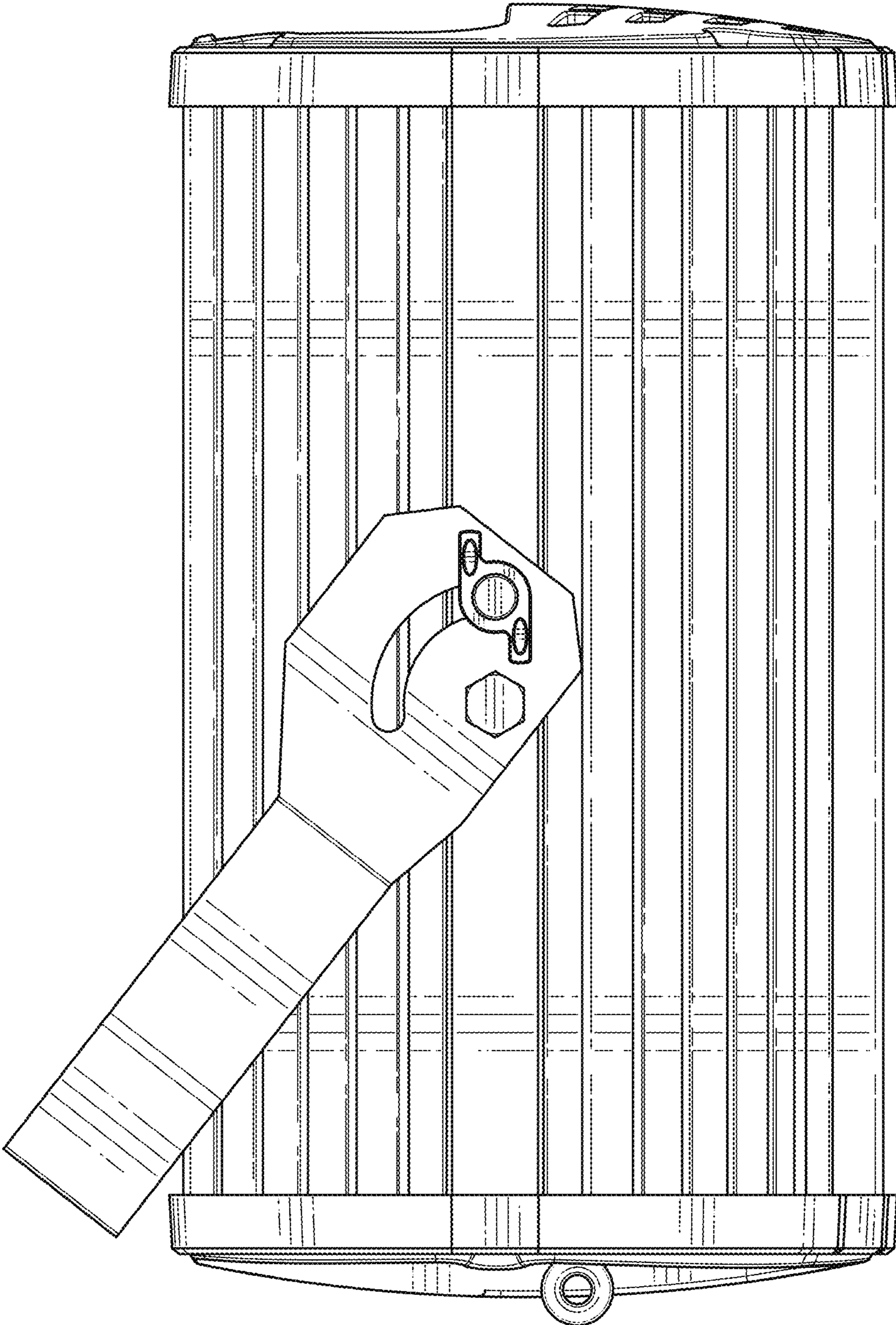


FIG. 6

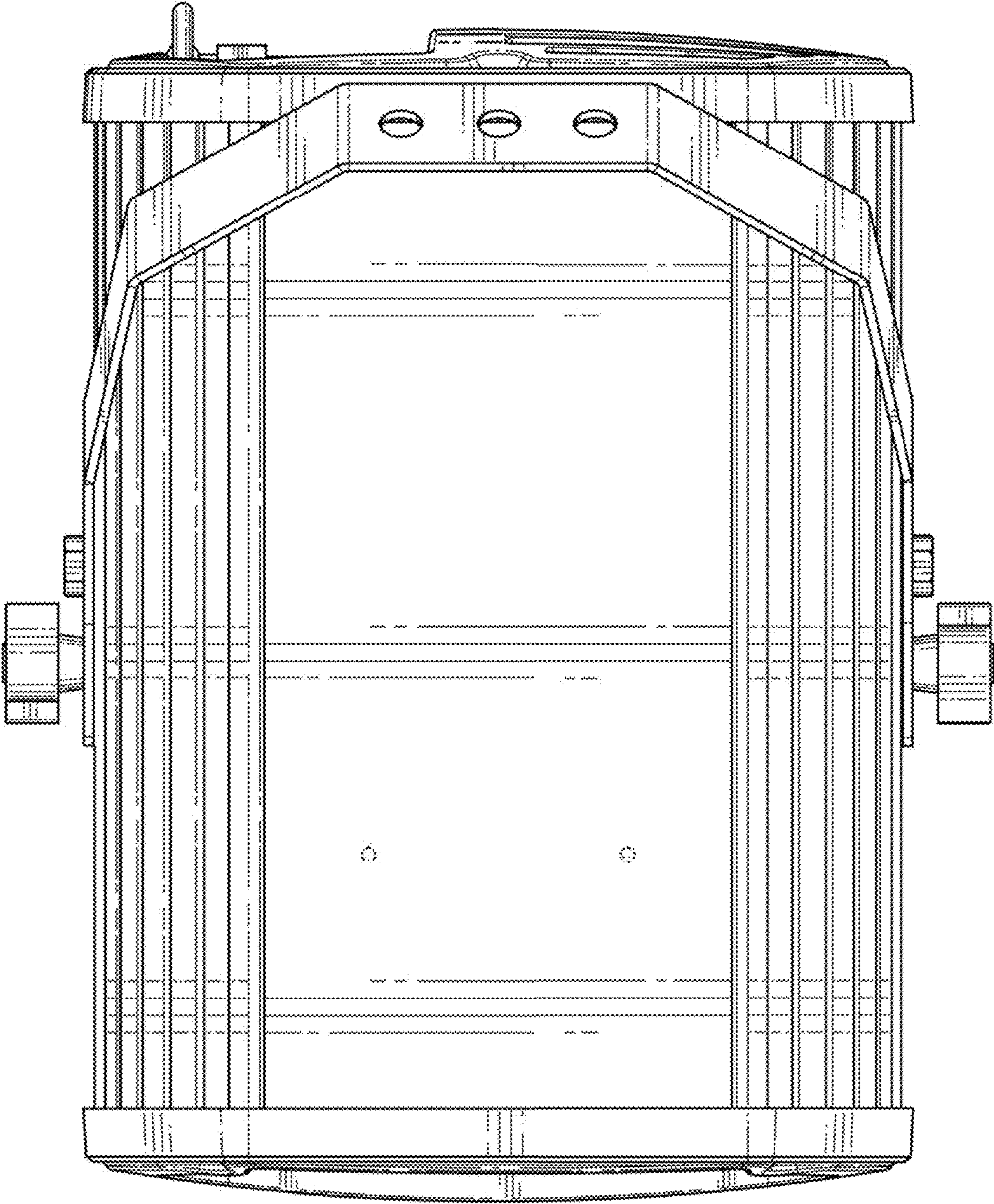


FIG. 7

FIG. 8

