



US00D777821S

(12) **United States Design Patent** (10) **Patent No.:** **US D777,821 S**
Gioscia et al. (45) **Date of Patent:** **** Jan. 31, 2017**

(54) **CAMERA HOUSING**

(71) Applicant: **GoPro, Inc.**, San Mateo, CA (US)

(72) Inventors: **Richard Gioscia**, Santa Clara, CA (US); **Seunghoon Lee**, Cupertino, CA (US); **Derek Yap**, San Carlos, CA (US); **Evan L. Coons**, San Mateo, CA (US); **Joshua P. Davies**, Fremont, CA (US)

(73) Assignee: **GoPro, Inc.**, San Mateo, CA (US)

(**) Term: **15 Years**

(21) Appl. No.: **29/553,299**

(22) Filed: **Jan. 29, 2016**

Related U.S. Application Data

(63) Continuation of application No. 29/516,749, filed on Feb. 5, 2015, now Pat. No. Des. 751,133, which is a continuation of application No. 29/491,394, filed on May 20, 2014, now Pat. No. Des. 725,169, which is a continuation of application No. 29/461,140, filed on Jul. 18, 2013, now Pat. No. Des. 710,921.

(51) **LOC (10) Cl.** **16-05**

(52) **U.S. Cl.**
USPC **D16/219**

(58) **Field of Classification Search**

USPC D16/200, 202-204, 208, 211, 218, 219, D16/237, 242; D3/263, 267, 268; 248/176.1, 187.1; 348/81, 360, 373-376, 348/835; 396/25, 27-29, 419, 535, 396/539-541
CPC G03B 15/03; G03B 17/02; G03B 17/04; G03B 17/08; G03B 17/56; G03B 19/04; H04N 5/2251; H04N 5/2252; H04N 5/2253; H04N 5/2254; A45C 11/38

See application file for complete search history.

(56) **References Cited**

U.S. PATENT DOCUMENTS

D321,704 S	11/1991	Leonard et al.
D367,283 S	2/1996	Lyon et al.
D419,296 S	1/2000	Shinano
D425,092 S	5/2000	Eto et al.
D453,177 S	1/2002	Uehara
D540,669 S	4/2007	George et al.
D550,742 S	9/2007	Ishii
D616,479 S	5/2010	Ganahl, Jr.
D621,432 S	8/2010	Yim
D622,591 S	8/2010	Biesecker et al.

(Continued)

Primary Examiner — Susan E Krakower

Assistant Examiner — Ramzi Almatrahi

(74) *Attorney, Agent, or Firm* — Fenwick & West LLP

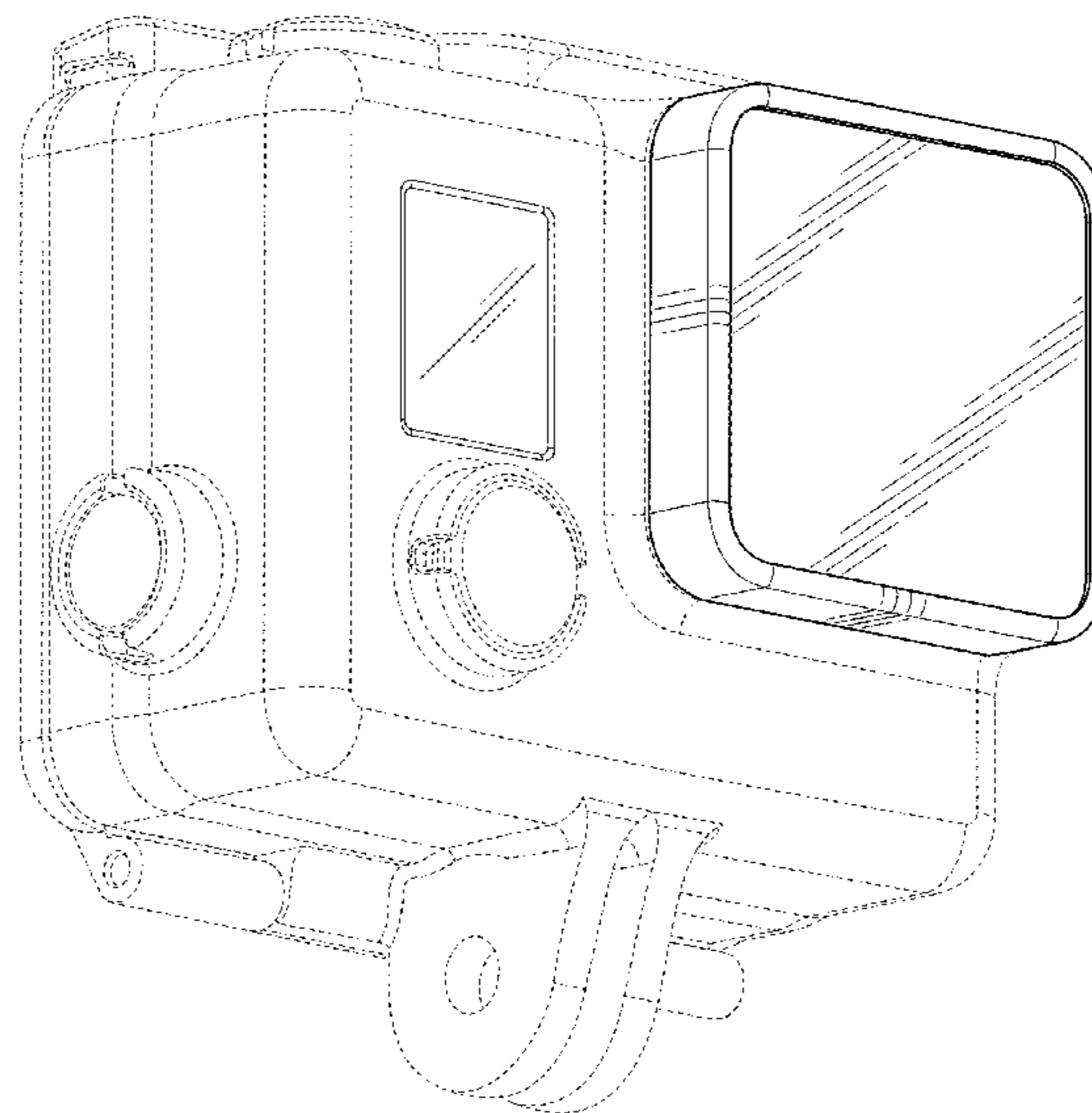
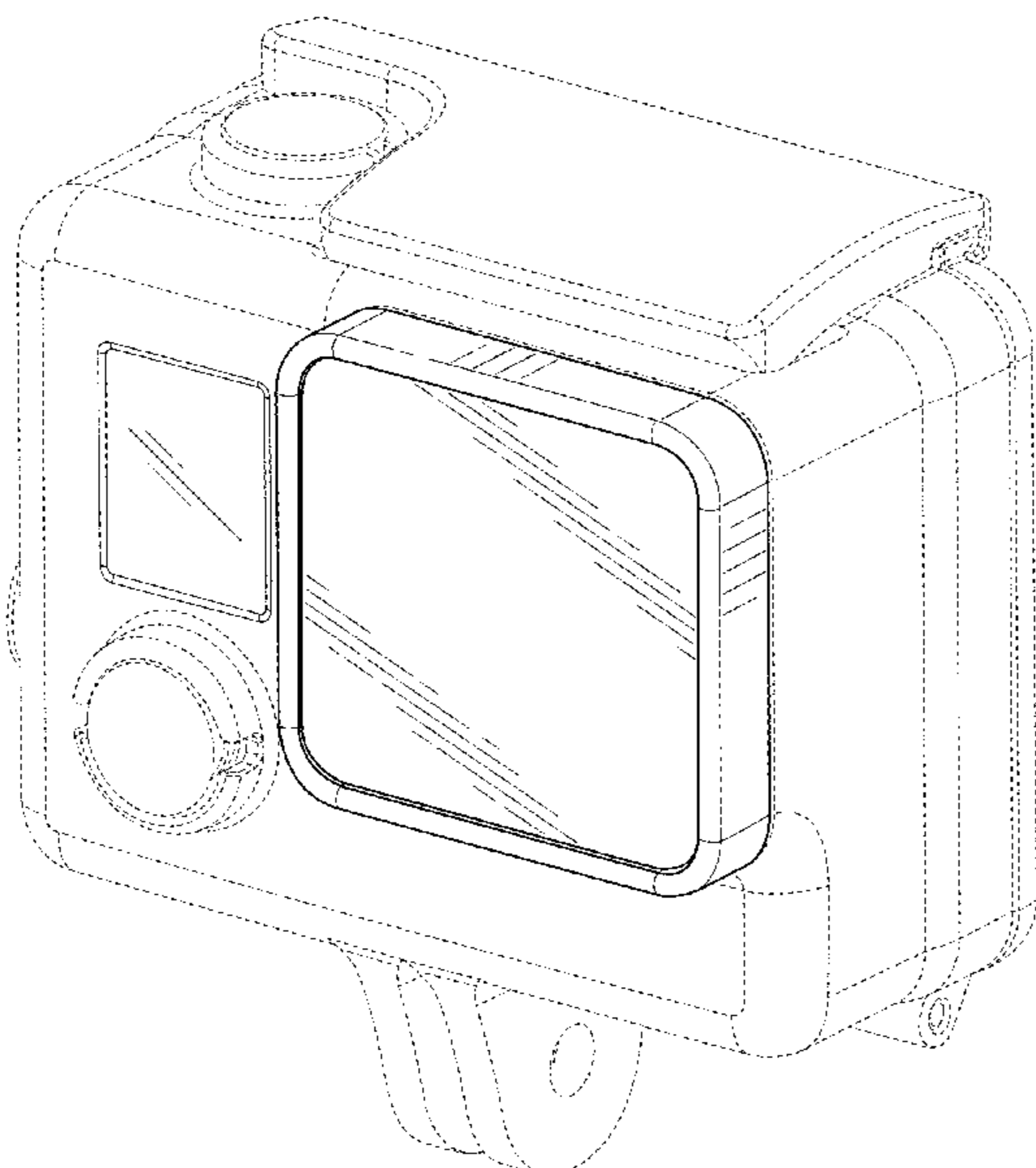
(57) **CLAIM**

The ornamental design for a camera housing, as shown and described.

DESCRIPTION

FIG. 1 is a front, top, and right side perspective view of a camera housing showing our new design; FIG. 2 is a front, bottom and left side perspective view thereof; FIG. 3 is a rear, bottom and right side perspective view thereof; FIG. 4 is a front elevational view thereof; FIG. 5 is a left side elevational view thereof; FIG. 6 is a right side elevational view thereof; FIG. 7 is a top plan view thereof; and, FIG. 8 is a bottom plan view thereof. The broken lines depict portions of a camera housing in which the design is embodied that form no part of the claimed design.

1 Claim, 8 Drawing Sheets



(56)

References Cited

U.S. PATENT DOCUMENTS

D635,436 S 4/2011 Barton
 D635,437 S 4/2011 Barton
 D635,438 S 4/2011 Barton
 D635,439 S 4/2011 Barton
 D635,440 S 4/2011 Barton
 D642,054 S 7/2011 Samartgis
 D645,725 S 9/2011 Katz et al.
 8,014,656 B2 9/2011 Woodman
 D646,313 S 10/2011 Woodman
 D647,554 S 10/2011 Yim
 D657,808 S 4/2012 Woodman
 D657,811 S 4/2012 Woodman
 D674,428 S 1/2013 Woodman
 D674,429 S 1/2013 Woodman
 D684,569 S 6/2013 Willenborg
 8,544,643 B2 10/2013 Yim
 8,596,890 B2 12/2013 Yim et al.
 D699,947 S 2/2014 To et al.
 D700,778 S 3/2014 To et al.
 D702,276 S 4/2014 Woodman
 D702,277 S 4/2014 Woodman
 D702,747 S 4/2014 Woodman et al.

D702,754 S * 4/2014 Bould D16/237
 D710,921 S 8/2014 Gioscia et al.
 D710,922 S 8/2014 Gioscia et al.
 8,870,475 B1 10/2014 Bennett et al.
 D719,811 S 12/2014 Cooper et al.
 D721,395 S * 1/2015 Woodman D16/218
 D724,638 S 3/2015 Samuels et al.
 D725,169 S 3/2015 Gioscia et al.
 9,004,783 B1 4/2015 Woodman et al.
 D732,593 S * 6/2015 Woodman D16/200
 D733,787 S 7/2015 Baker et al.
 D733,788 S * 7/2015 Baker D16/237
 D734,799 S 7/2015 Woodman et al.
 D735,260 S * 7/2015 Bould D16/237
 D739,451 S 9/2015 Gioscia et al.
 D740,868 S * 10/2015 Gioscia D16/200
 D740,876 S 10/2015 Woodman et al.
 D741,394 S * 10/2015 Gioscia D16/200
 D750,146 S * 2/2016 Costa D16/200
 D751,133 S * 3/2016 Gioscia D16/219
 D754,240 S * 4/2016 Samuels D16/219
 2003/0133206 A1 7/2003 Belefant
 2007/0071423 A1 3/2007 Fantone et al.
 2009/0317069 A1 12/2009 Yim

* cited by examiner

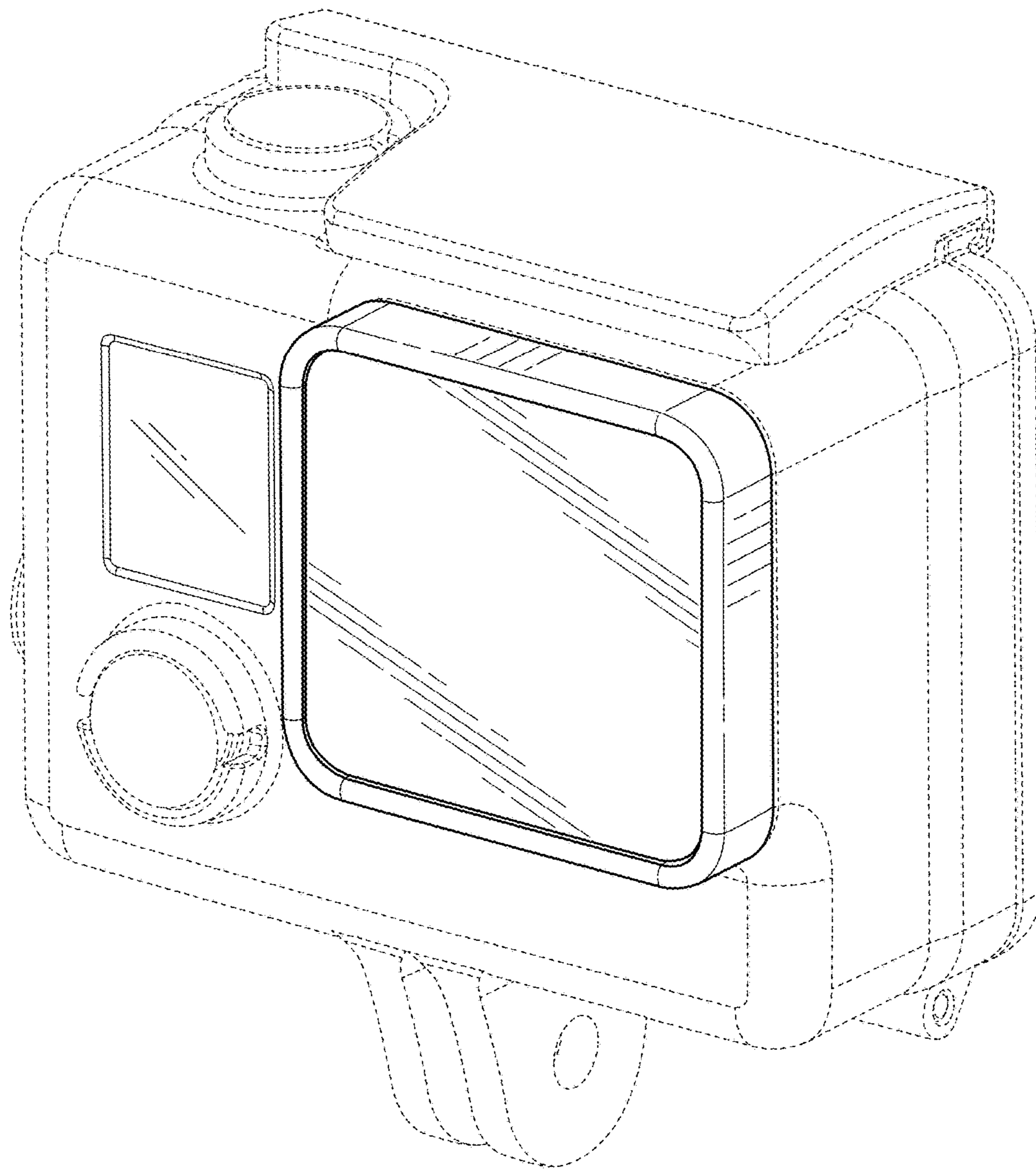


FIG. 1

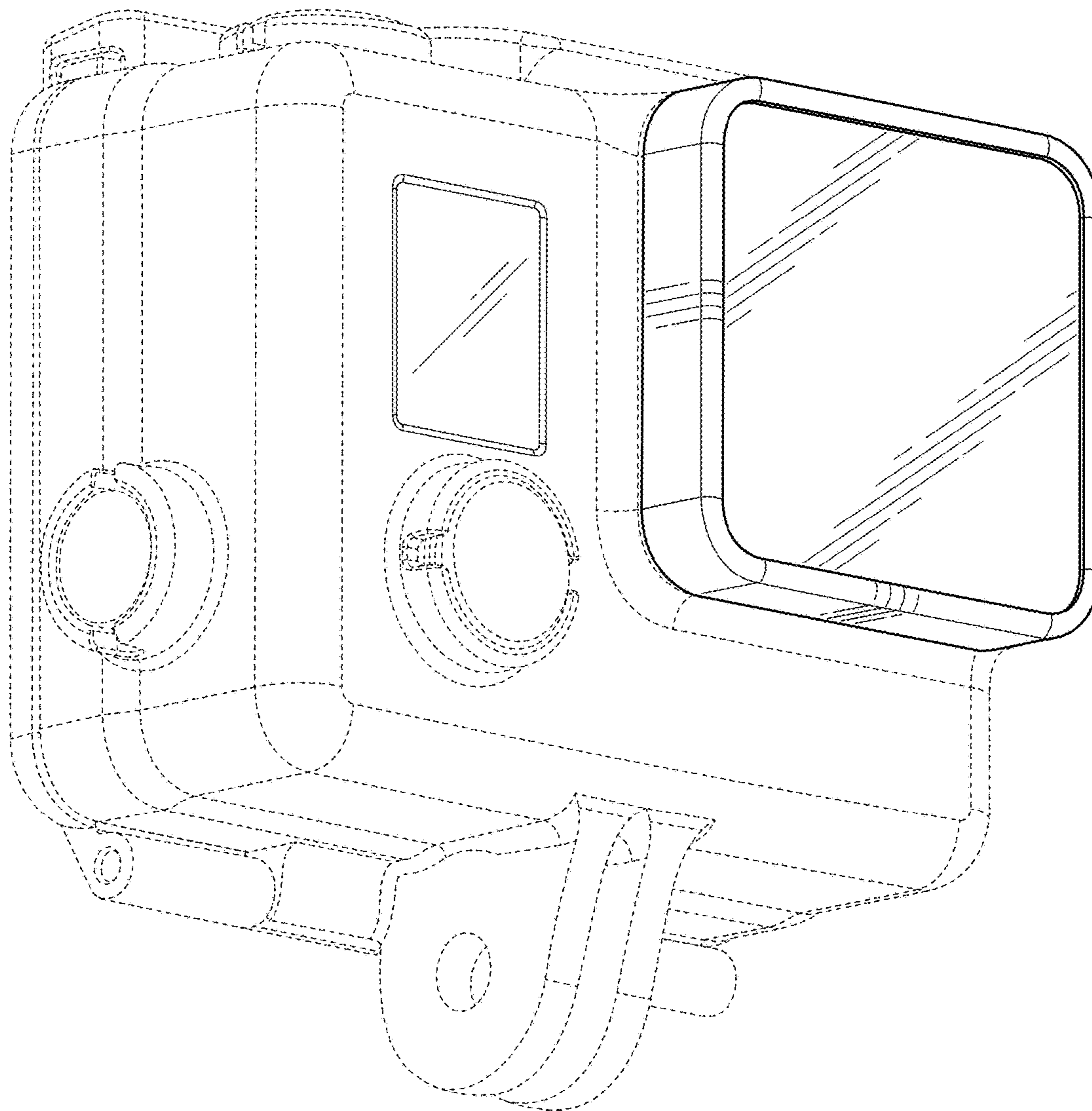


FIG. 2

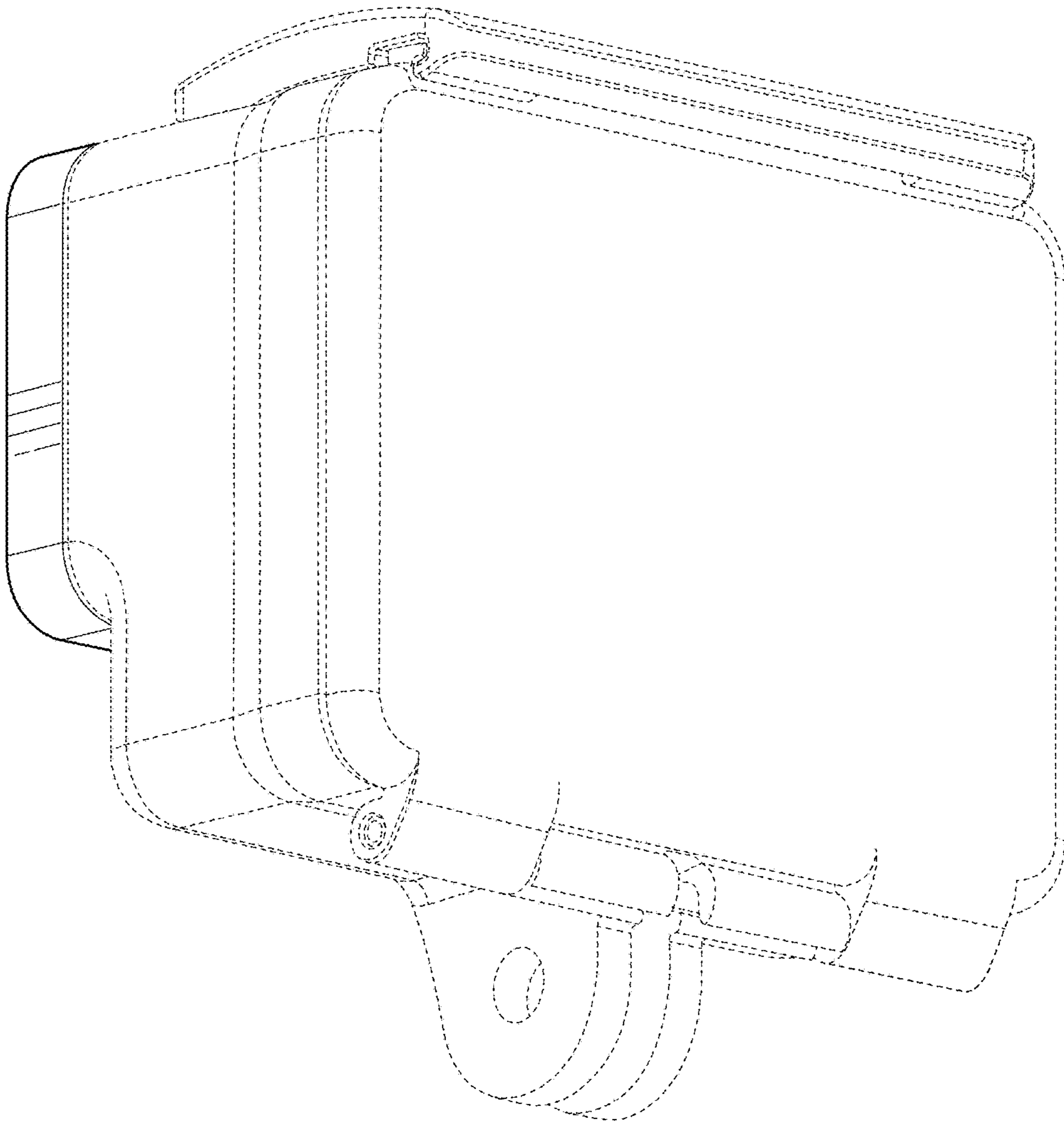


FIG. 3

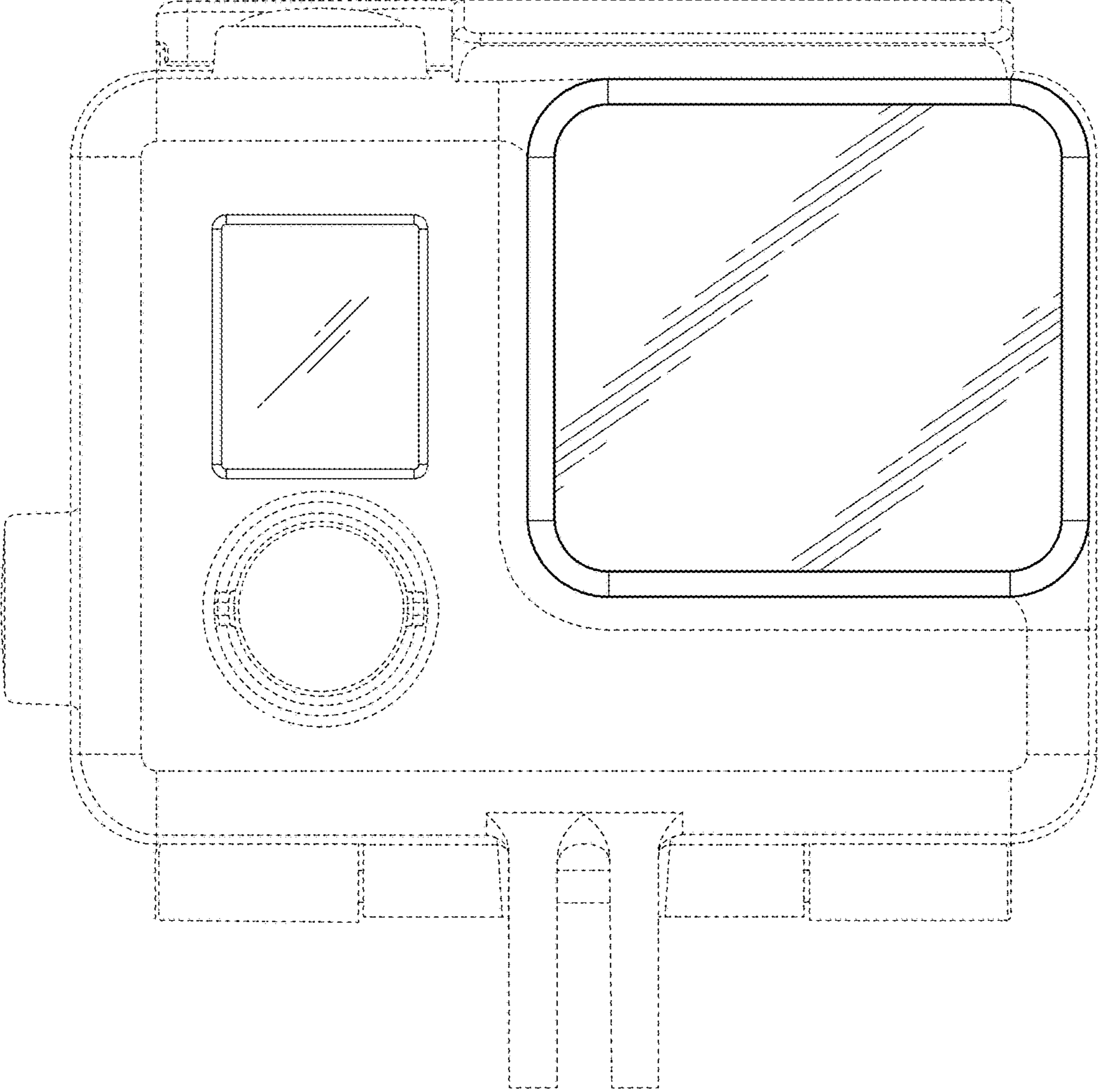


FIG. 4

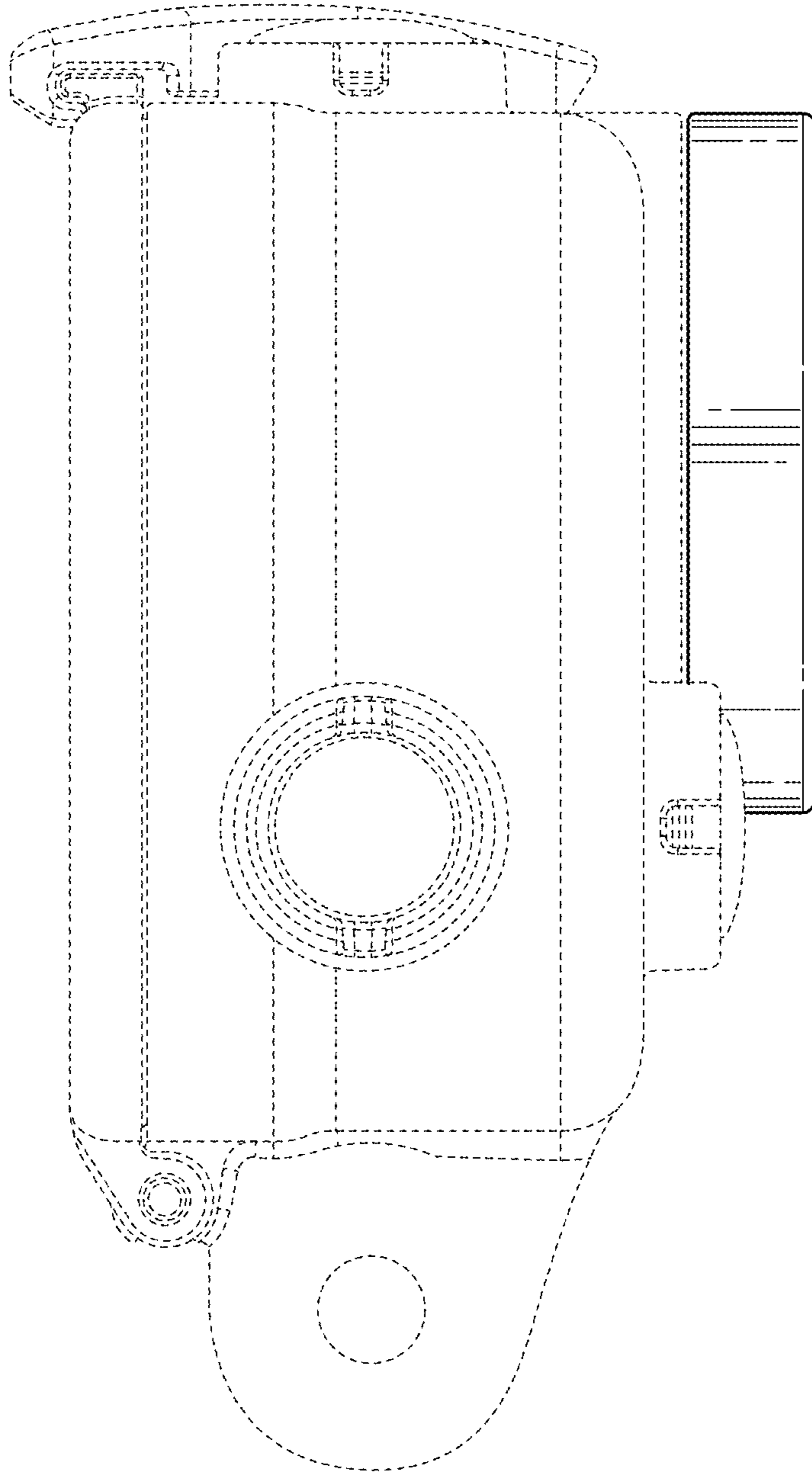


FIG. 5

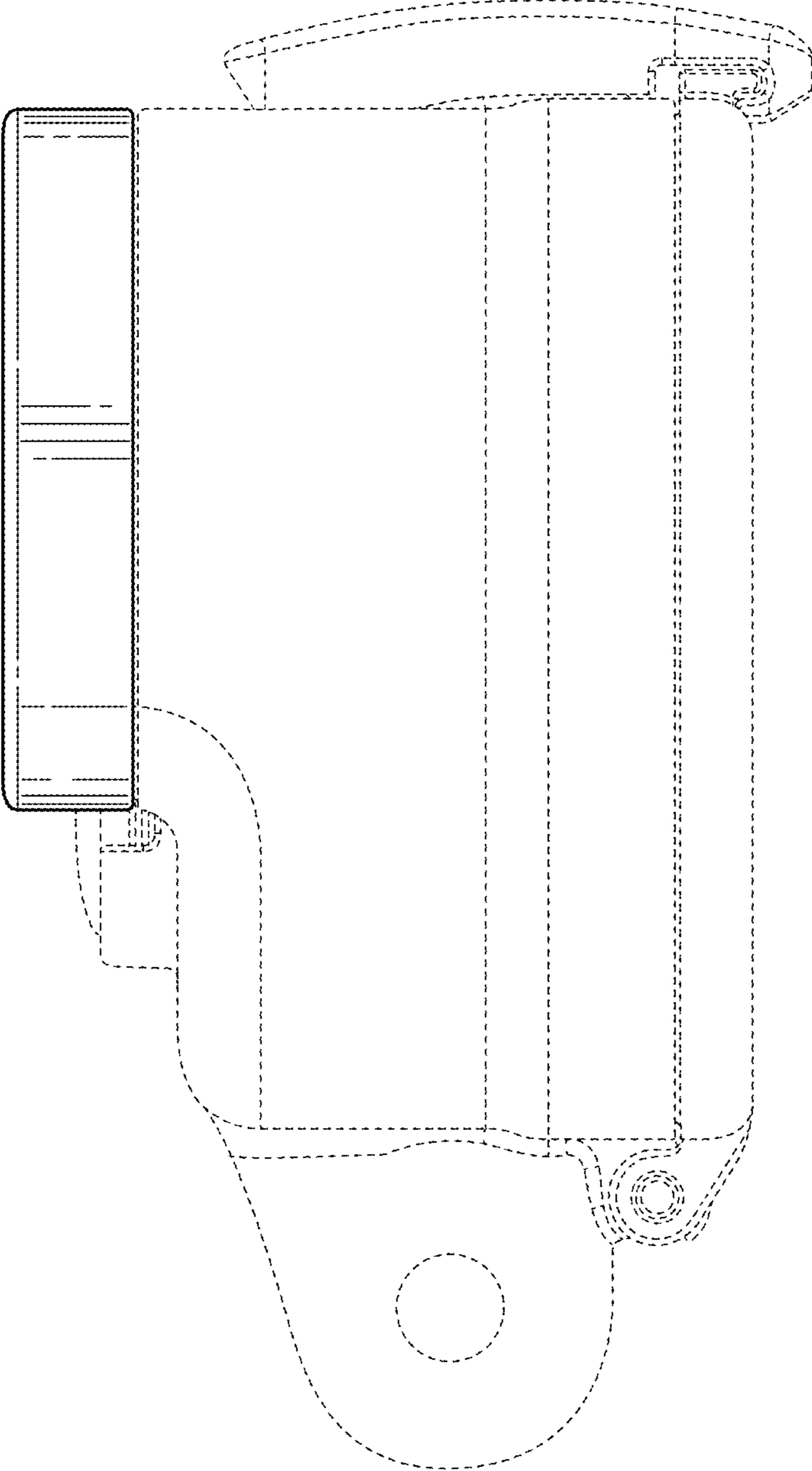


FIG. 6

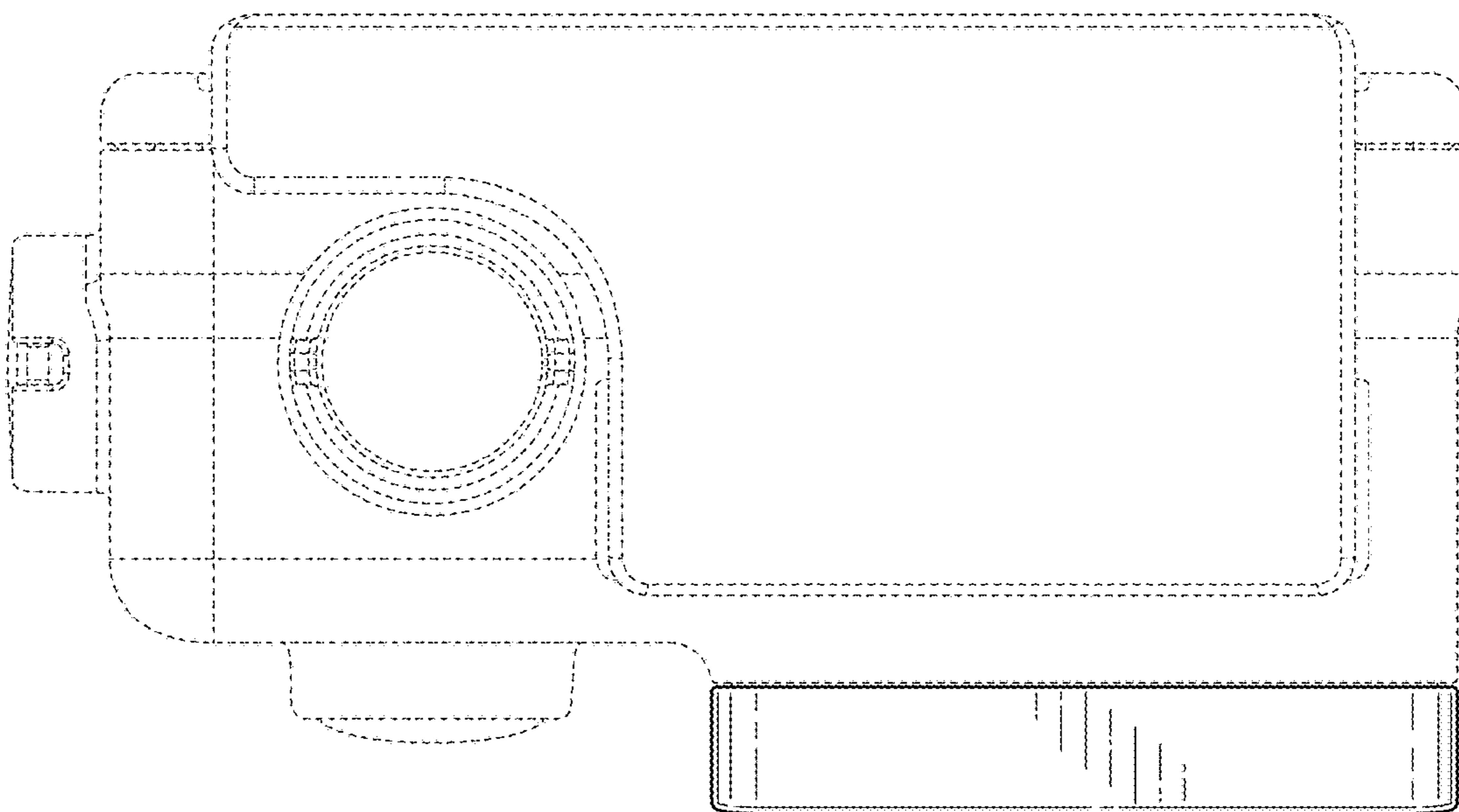


FIG. 7

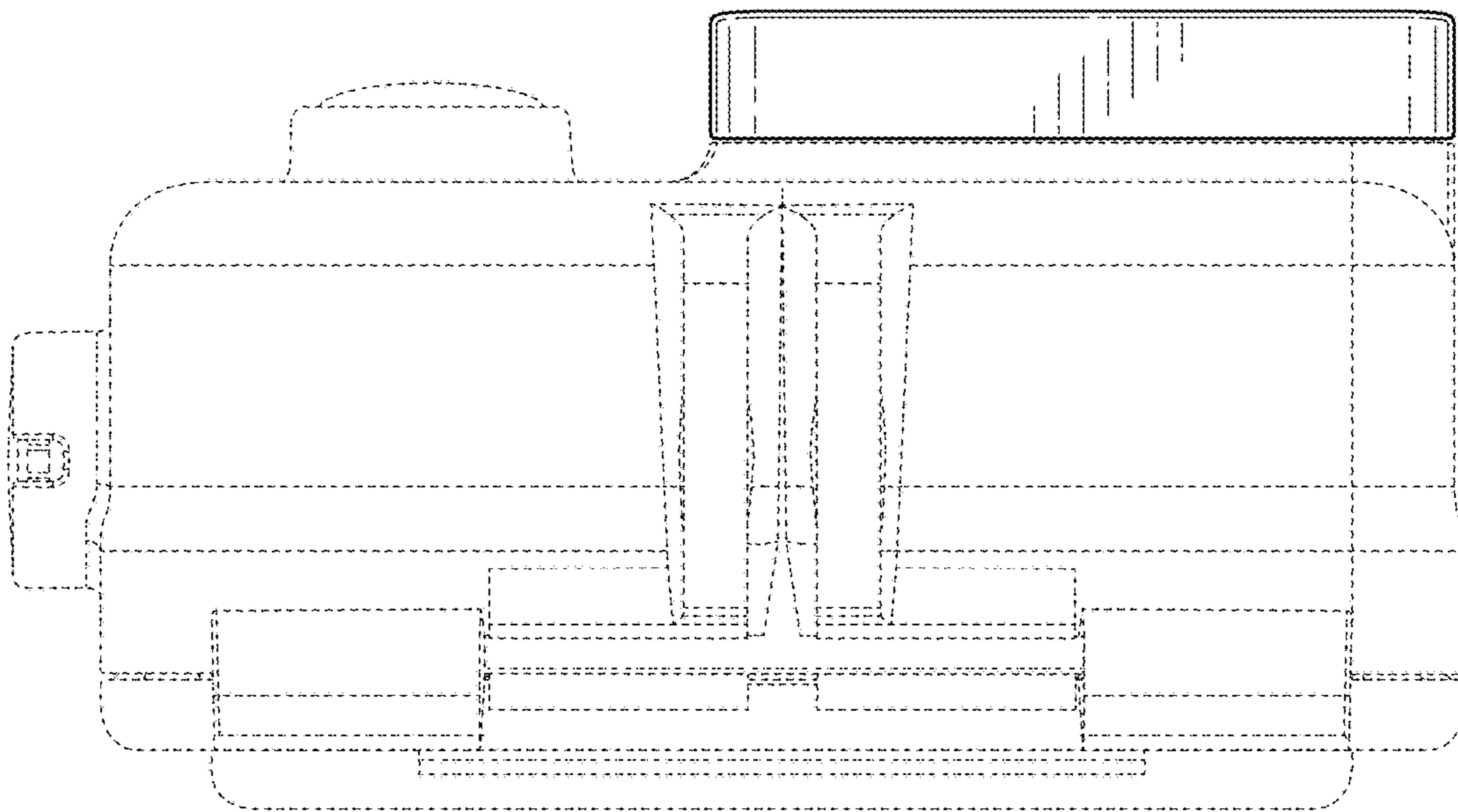


FIG. 8