



US00D777820S

(12) **United States Design Patent**
Zhang

(10) **Patent No.:** **US D777,820 S**

(45) **Date of Patent:** **** Jan. 31, 2017**

(54) **VIDEO CAMERA**

(71) Applicant: **HangZhou Hikvision Digital Technology Co., Ltd.**, Binjiang District, Hangzhou (CN)

(72) Inventor: **Fengmin Zhang**, Hangzhou (CN)

(73) Assignee: **HangZhou Hikvision Digital Technology Co., Ltd.**, Hangzhou (CN)

(**) Term: **15 Years**

(21) Appl. No.: **29/536,590**

(22) Filed: **Aug. 18, 2015**

(30) **Foreign Application Priority Data**

Mar. 30, 2015 (CN) 2015 3 0079657

(51) **LOC (10) Cl.** **16-01**

(52) **U.S. Cl.**
USPC **D16/218**

(58) **Field of Classification Search**
USPC D16/200, 202–206, 208, 218, 219, 242;
348/143, 148, 151, 373–376; 396/419,
396/427, 535, 539–541; 340/932.2, 933,
340/937
CPC G03B 17/02; G03B 19/04; G03B 17/56;
G03B 17/04; G03B 15/03; H04N 5/2251;
H04N 5/2252; H04N 5/2253; H04N
5/2254; H04N 7/181; H04N 7/183; H04N
7/18; G08B 13/1963; G08B
13/19619; G08B 13/19632; F16M 11/04;
F16M 13/00

See application file for complete search history.

(56) **References Cited**

U.S. PATENT DOCUMENTS

D455,166 S * 4/2002 Raad D10/104.1
D467,952 S * 12/2002 Nakamura D16/202

D556,236 S * 11/2007 Kim D16/202
D626,580 S * 11/2010 Tzeng D16/202
D626,983 S * 11/2010 Serge D16/202
D700,232 S * 2/2014 Ramsay D16/207
D704,240 S * 5/2014 McBride D16/203
D731,579 S * 6/2015 Bart D16/203
D734,801 S * 7/2015 Yang D16/202
D749,661 S * 2/2016 Yang D16/203
D750,147 S * 2/2016 Muller D16/203
D761,340 S * 7/2016 Pacurariu D16/202
2012/0327234 A1 * 12/2012 Fish, Jr. B60R 11/04
348/148

* cited by examiner

Primary Examiner — Philip S Hyder

Assistant Examiner — Ramzi Almatrahi

(74) *Attorney, Agent, or Firm* — Andrus Intellectual Property Law, LLP

(57) **CLAIM**

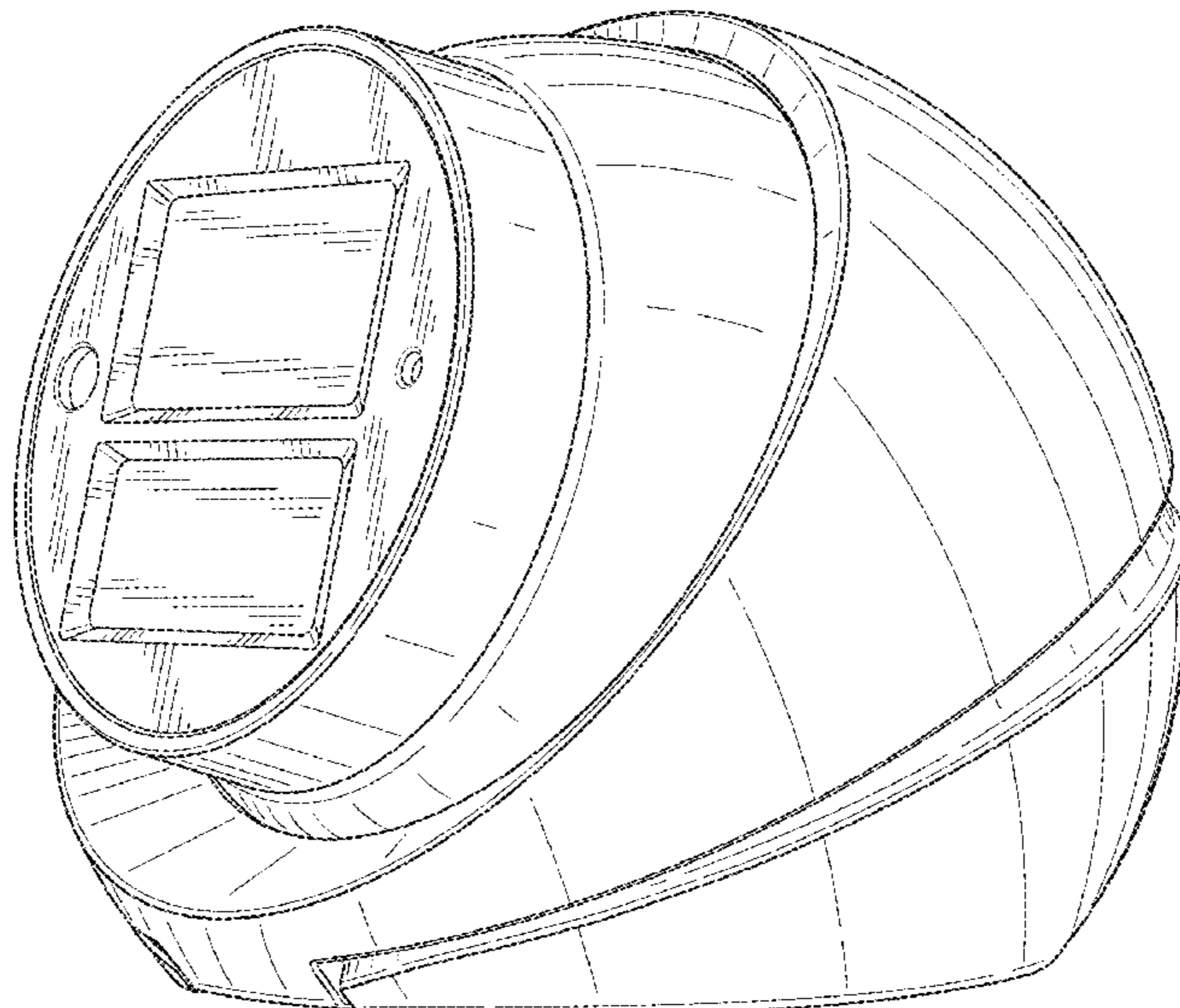
The ornamental design for a video camera, as shown and described.

DESCRIPTION

FIG. 1 is a front perspective view of a video camera according to my new design;
FIG. 2 is a left side view thereof;
FIG. 3 is a right side view thereof;
FIG. 4 is a front view thereof;
FIG. 5 is a rear view thereof;
FIG. 6 is a top view thereof; and,
FIG. 7 is a bottom view thereof.

The broken lines depict portions of a video camera in which the design is embodied and form no part of the claimed design.

1 Claim, 7 Drawing Sheets



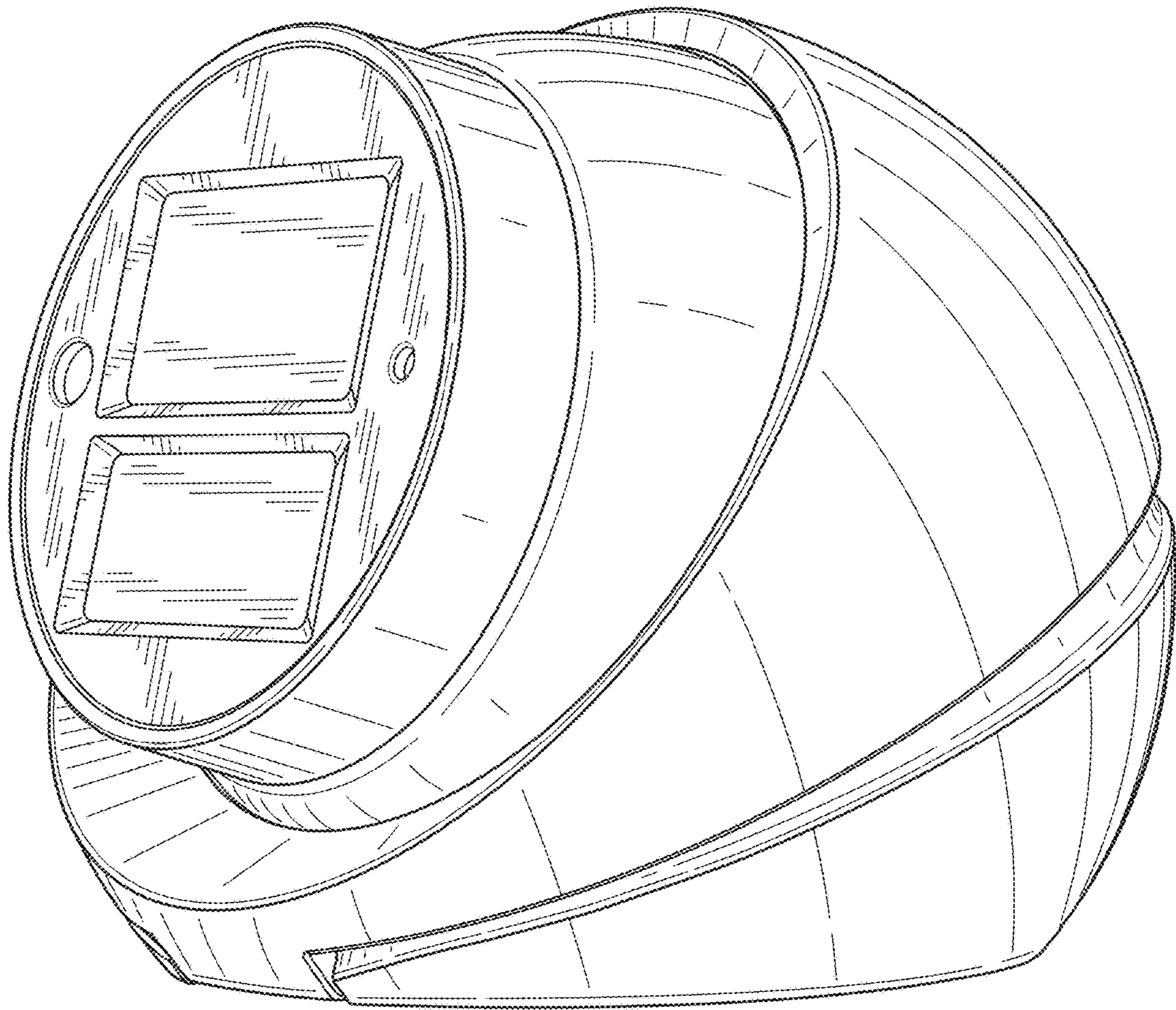


FIG. 1

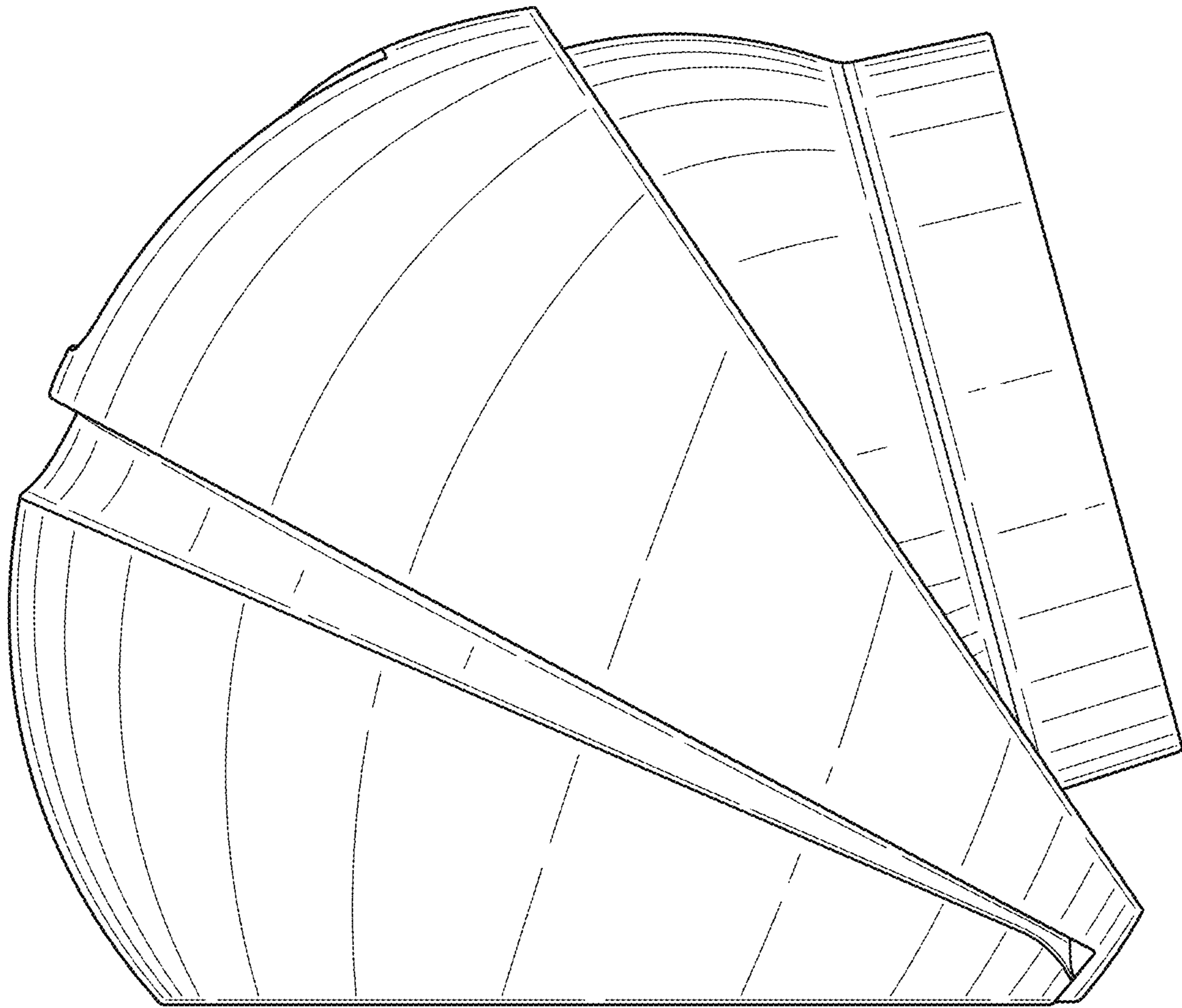


FIG. 2

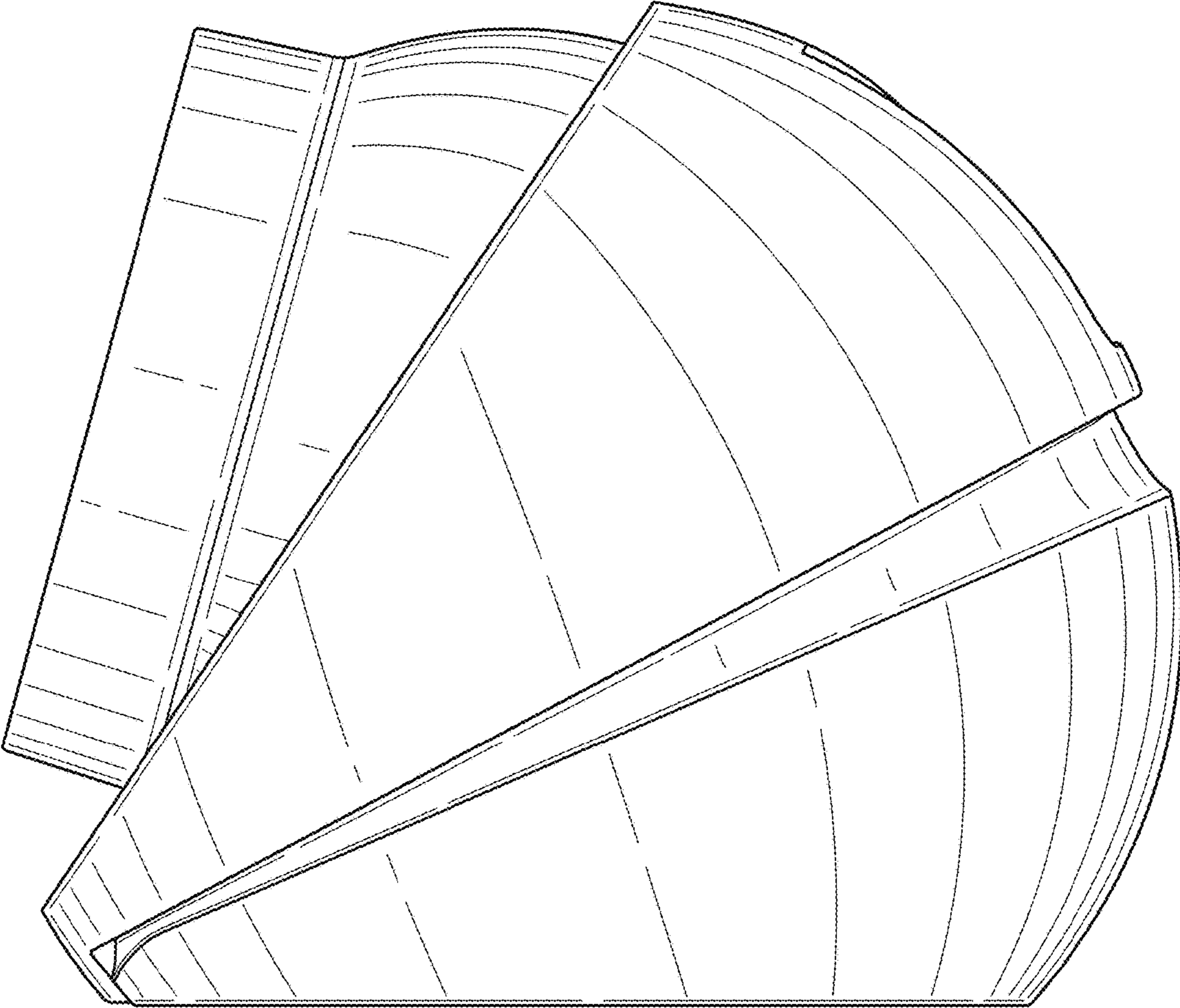


FIG. 3

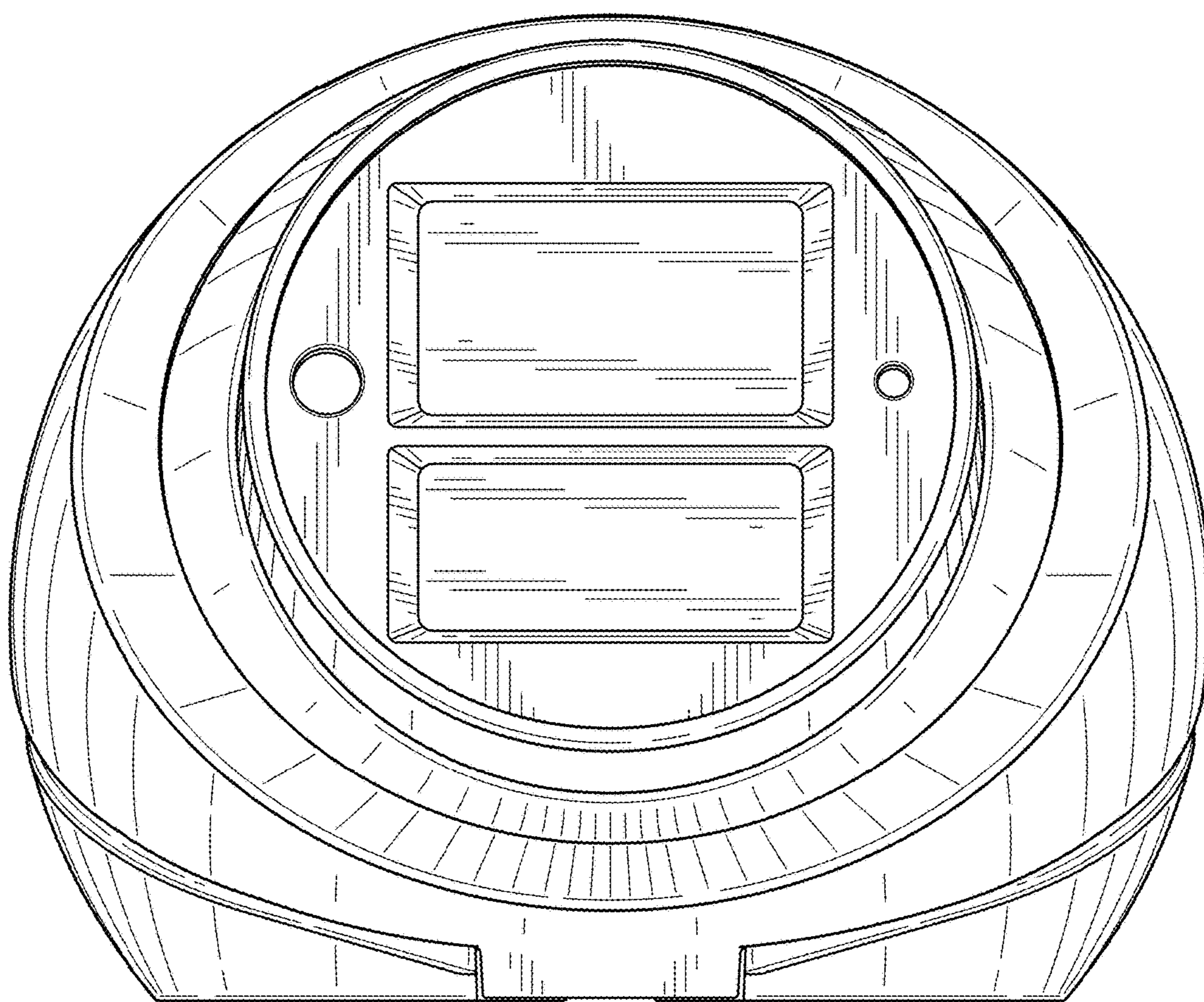


FIG. 4

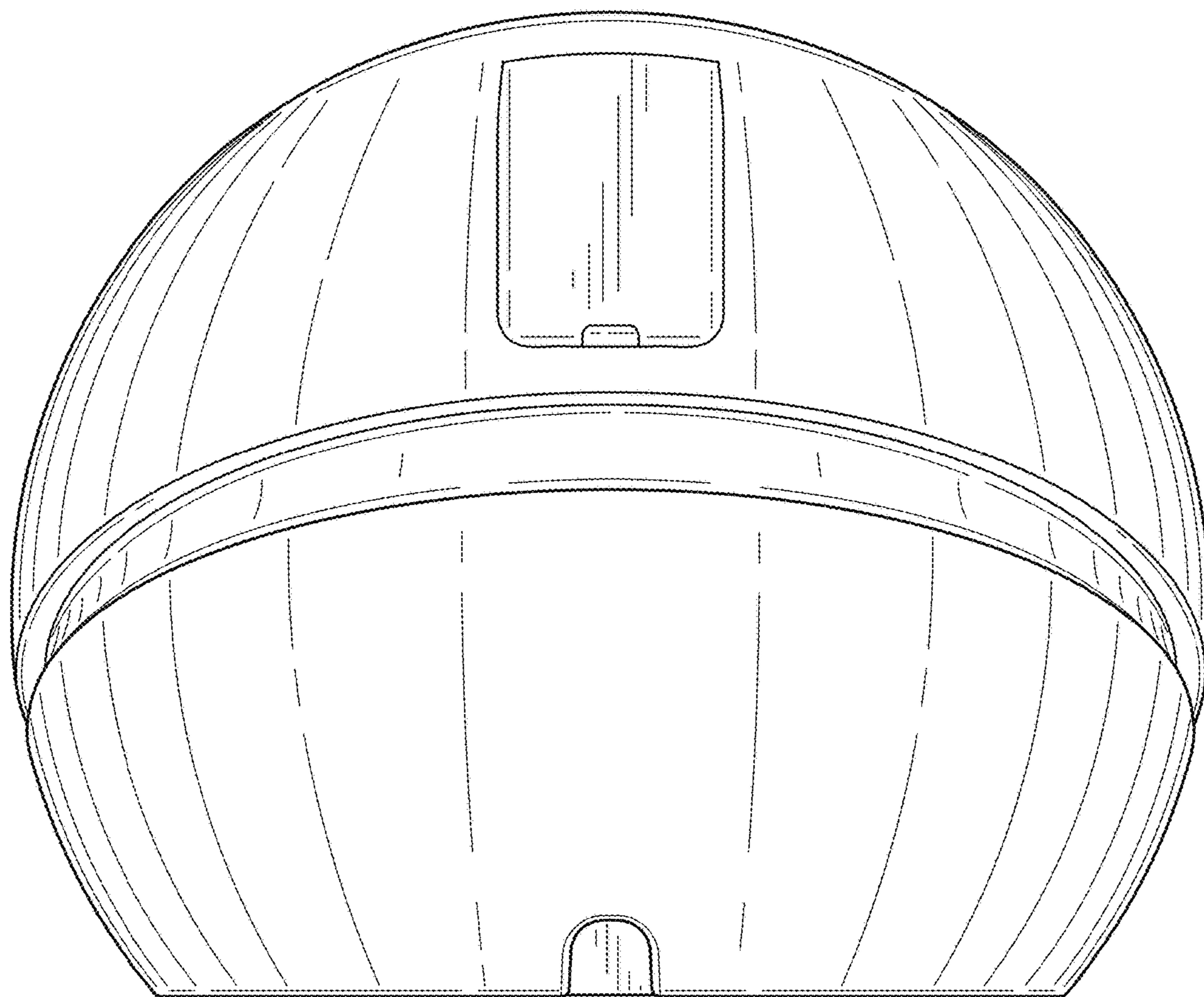


FIG. 5

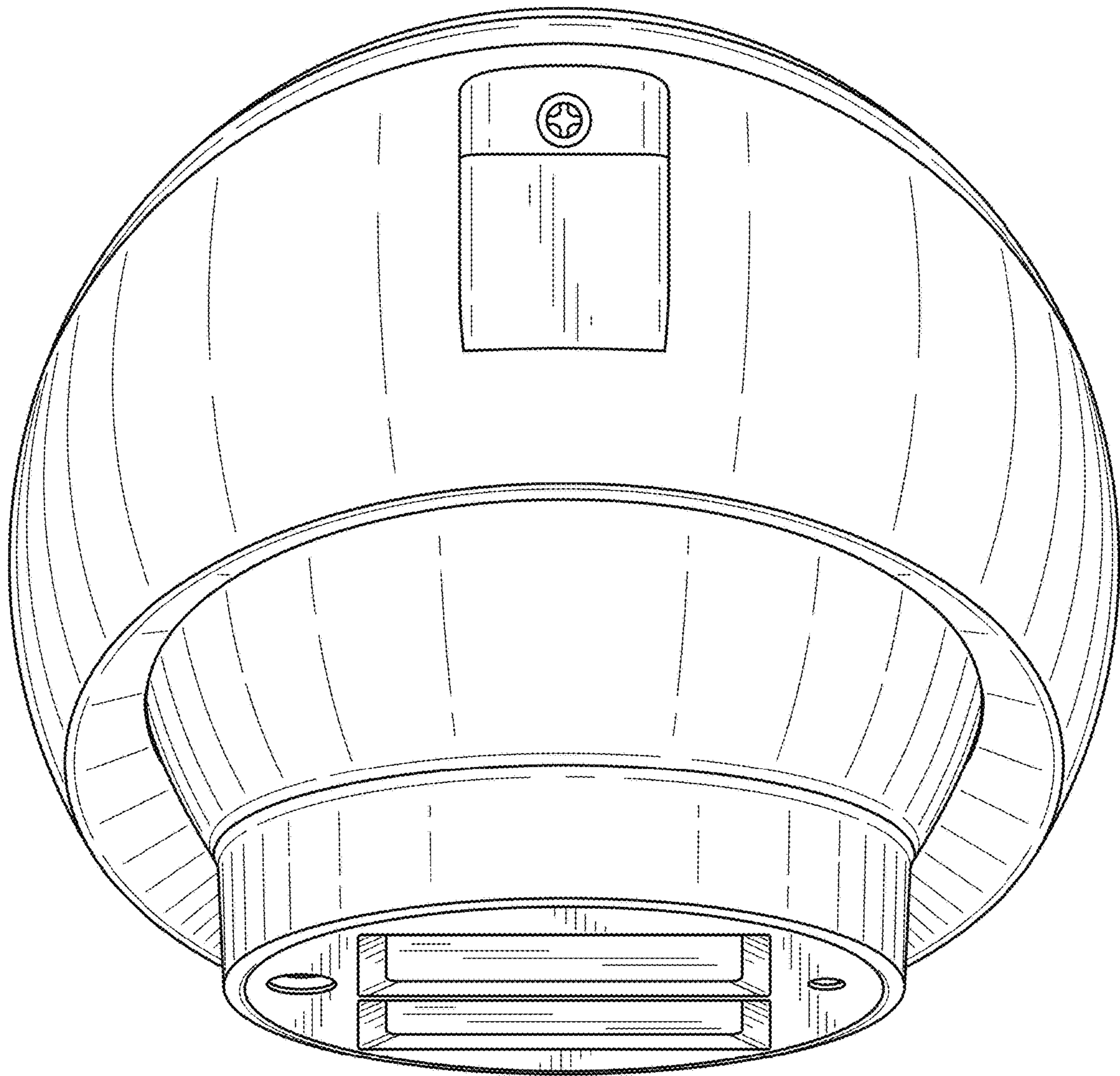


FIG. 6

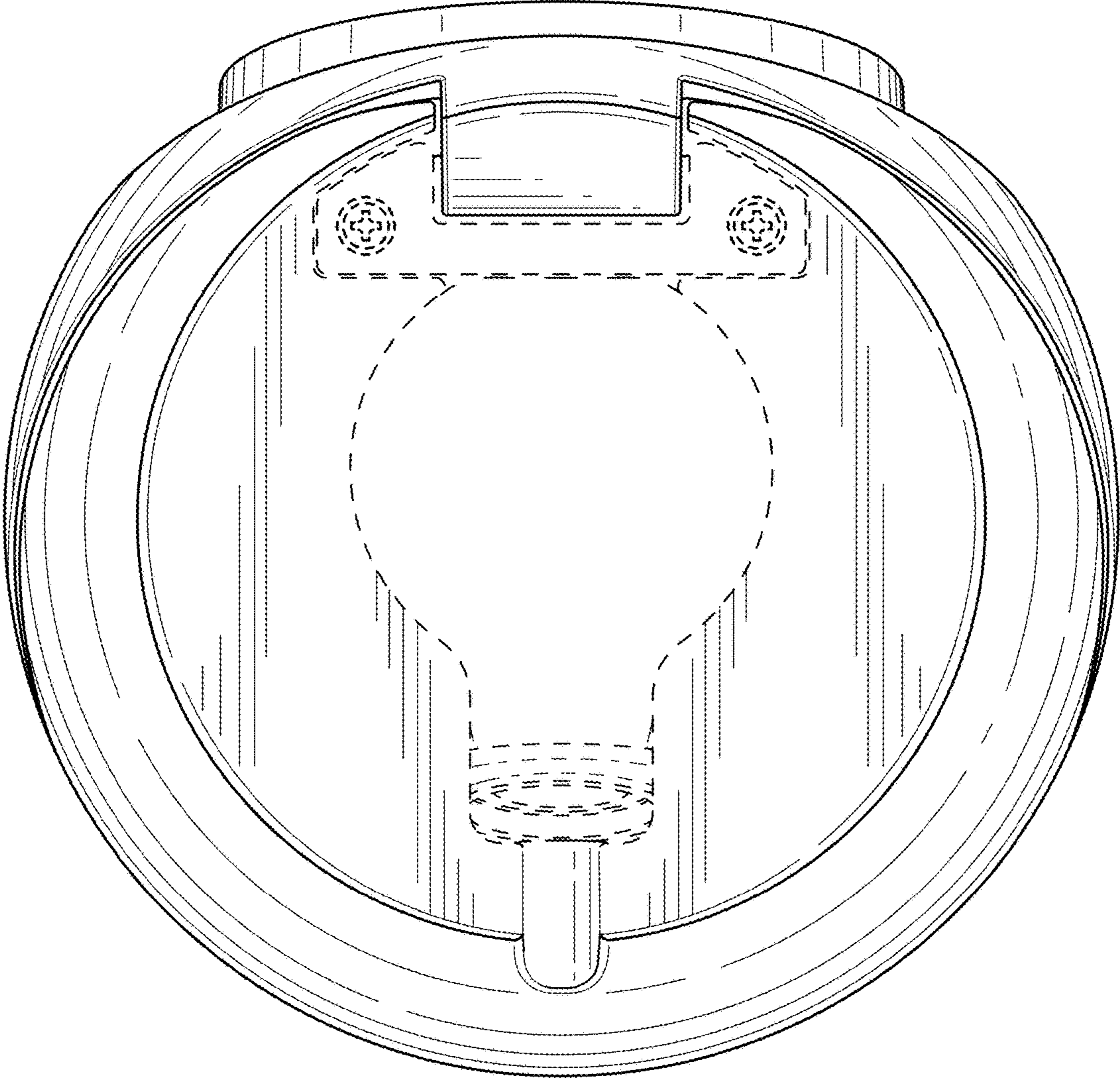


FIG. 7