



US00D777819S

(12) **United States Design Patent** (10) **Patent No.:** **US D777,819 S**
Bergstrom et al. (45) **Date of Patent:** **** Jan. 31, 2017**

(54) **MONITORING CAMERA**

(71) Applicant: **AXIS AB**, Lund (SE)

(72) Inventors: **Morten Bergstrom**, Bjarred (SE); **Jens Pahlitzsch**, Lund (SE); **Mathias Walter**, Arlov (SE); **Niclas Moller-Lewin**, Malmo (SE); **Johan Bergsten**, Landskrona (SE)

(73) Assignee: **AXIS AB**, Lund (SE)

(**) Term: **15 Years**

(21) Appl. No.: **29/551,559**

(22) Filed: **Jan. 14, 2016**

Related U.S. Application Data

(62) Division of application No. 29/514,777, filed on Jan. 16, 2015, now Pat. No. Des. 750,683.

Foreign Application Priority Data

Jul. 16, 2014 (WO) 002503334-01-03

(51) **LOC (10) Cl.** **16-01**

(52) **U.S. Cl.**
USPC **D16/203**

(58) **Field of Classification Search**
USPC D16/200, 202–206, 208, 218, 219, 242;
348/143, 148, 151, 373–376; 396/419,
396/427, 535, 539–541
CPC G03B 17/02; G03B 19/04; G03B 17/56;
G03B 17/04; G03B 15/03; H04N 5/2251;
H04N 5/2252; H04N 5/2253; H04N
5/2254; H04N 7/181; H04N 7/183; H04N
7/18; F16M 11/04; F16M 13/00
See application file for complete search history.

(56) **References Cited**

U.S. PATENT DOCUMENTS

5,689,304 A	11/1997	Jones et al.
D416,273 S	11/1999	Yamakawa et al.
D425,535 S	5/2000	Mutoh et al.
D426,250 S	6/2000	Lefkowitz
D464,676 S	10/2002	Leo et al.

(Continued)

FOREIGN PATENT DOCUMENTS

EP	2887328	6/2015
TW	D113100	9/2006

(Continued)

OTHER PUBLICATIONS

Questel Printout—Chinese Design Registration No. 302849987, dated Jun. 18, 2014.

(Continued)

Primary Examiner — Susan E Krakower

Assistant Examiner — Ramzi Almatrahi

(74) *Attorney, Agent, or Firm* — Volpe and Koenig, P.C.

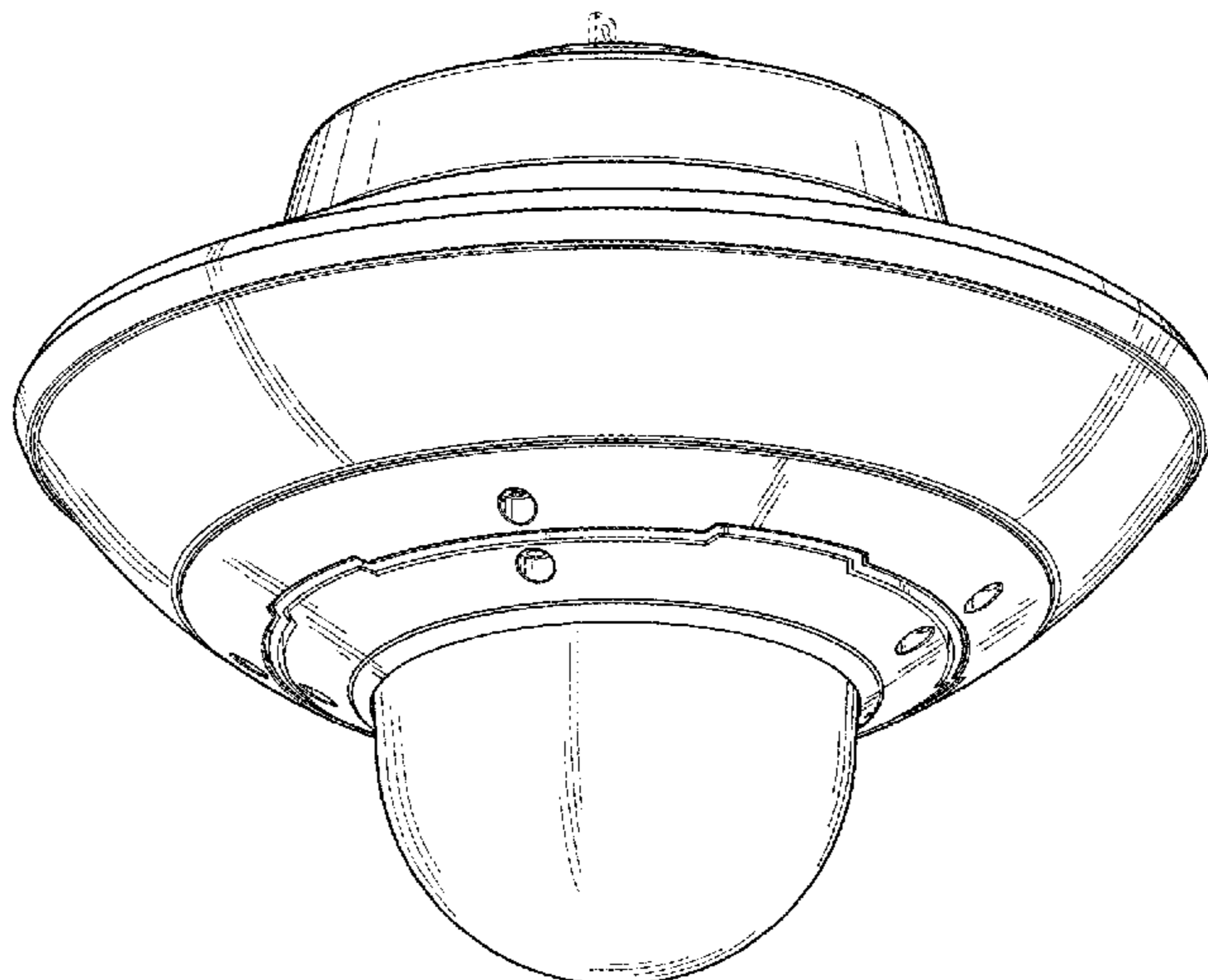
(57) **CLAIM**

The ornamental design for a monitoring camera, as shown and described.

DESCRIPTION

FIG. 1 is a bottom, left, rear perspective view of a monitoring camera in accordance with our design;
FIG. 2 is a rear elevational view thereof;
FIG. 3 is a bottom view thereof;
FIG. 4 is a front elevational view thereof;
FIG. 5 is a right side elevational view thereof;
FIG. 6 is a left side elevational view thereof; and,
FIG. 7 is a top plan view thereof.
The broken lines depict portions of a monitoring camera in which the design is embodied and form no part of the claimed design.

1 Claim, 4 Drawing Sheets



(56)

References Cited

U.S. PATENT DOCUMENTS

D468,654 S 1/2003 Wunsch
 D499,125 S 11/2004 Adachi et al.
 D499,126 S 11/2004 Kato et al.
 D507,804 S * 7/2005 Nagai D16/203
 D513,028 S * 12/2005 Maruyama D16/203
 D552,501 S 10/2007 Lin et al.
 D552,651 S 10/2007 Arbuckle
 D556,236 S 11/2007 Kim et al.
 D560,244 S * 1/2008 Naruki D16/203
 D565,628 S 4/2008 Alm et al.
 D575,810 S 8/2008 Alm
 D584,756 S * 1/2009 Yamakawa D16/203
 D600,152 S 9/2009 Stack et al.
 7,614,804 B2 11/2009 Kim
 D606,105 S 12/2009 Hinkel
 D610,183 S 2/2010 Nohavec et al.
 D615,114 S * 5/2010 Arnold D16/203
 D628,225 S * 11/2010 Deurwaarder D16/203
 D633,120 S 2/2011 Ham
 D636,804 S * 4/2011 Anneback D16/203
 D636,805 S 4/2011 Anneback et al.
 D647,553 S * 10/2011 Park D16/203
 8,066,438 B2 11/2011 Takahashi
 D655,328 S * 3/2012 Anneback D16/203
 D690,345 S * 9/2013 Seo D16/203
 D694,798 S 12/2013 Deurwaarder
 D701,258 S * 3/2014 Huang D16/203

8,790,024 B2 7/2014 Andersson
 D721,755 S 1/2015 Ahman et al.
 D740,870 S * 10/2015 Park D16/203
 D740,874 S * 10/2015 Ahman D16/203
 D742,447 S 11/2015 Stark et al.

FOREIGN PATENT DOCUMENTS

TW D156913 11/2013
 TW D157863 12/2013

OTHER PUBLICATIONS

Questel Printout—Chinese Design Registration No. 302857494, dated Jun. 25, 2014.
 Questel Printout—Chinese Design Registration No. 302865457, dated Jul. 2, 2014.
 Questel Printout—Chinese Design Registration No. 302889188, dated Jul. 23, 2014.
 Questel Printout—Chinese Design Registration No. 302361955, dated Mar. 20, 2013.
 Questel Printout—Chinese Design Registration No. 302327164, dated Feb. 20, 2013.
 Questel Printout—Chinese Design Registration No. 302351286, dated Mar. 13, 2013.
 Questel Printout—Chinese Design Registration No. 300769923, dated Apr. 23, 2008.

* cited by examiner

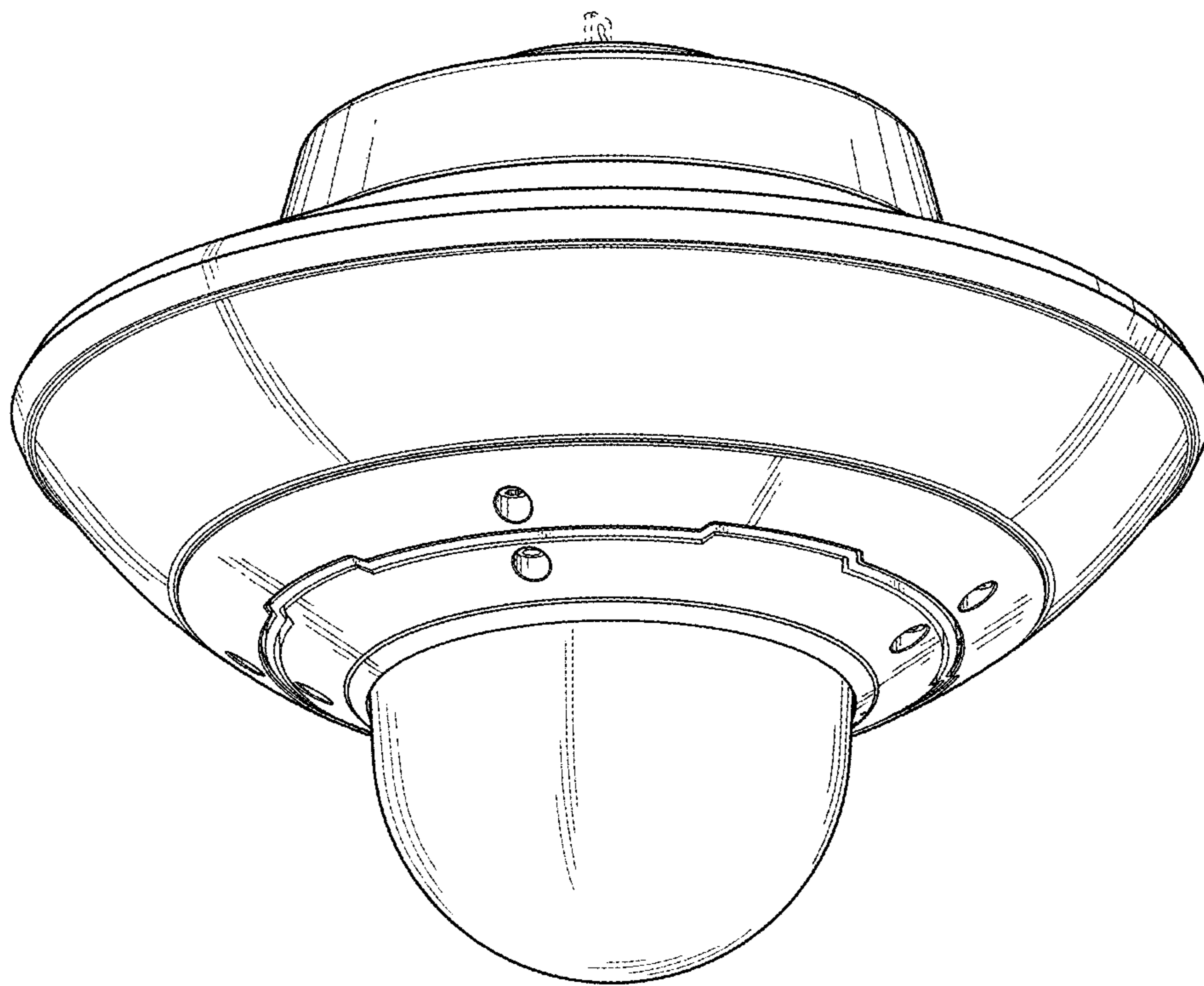


Figure 1

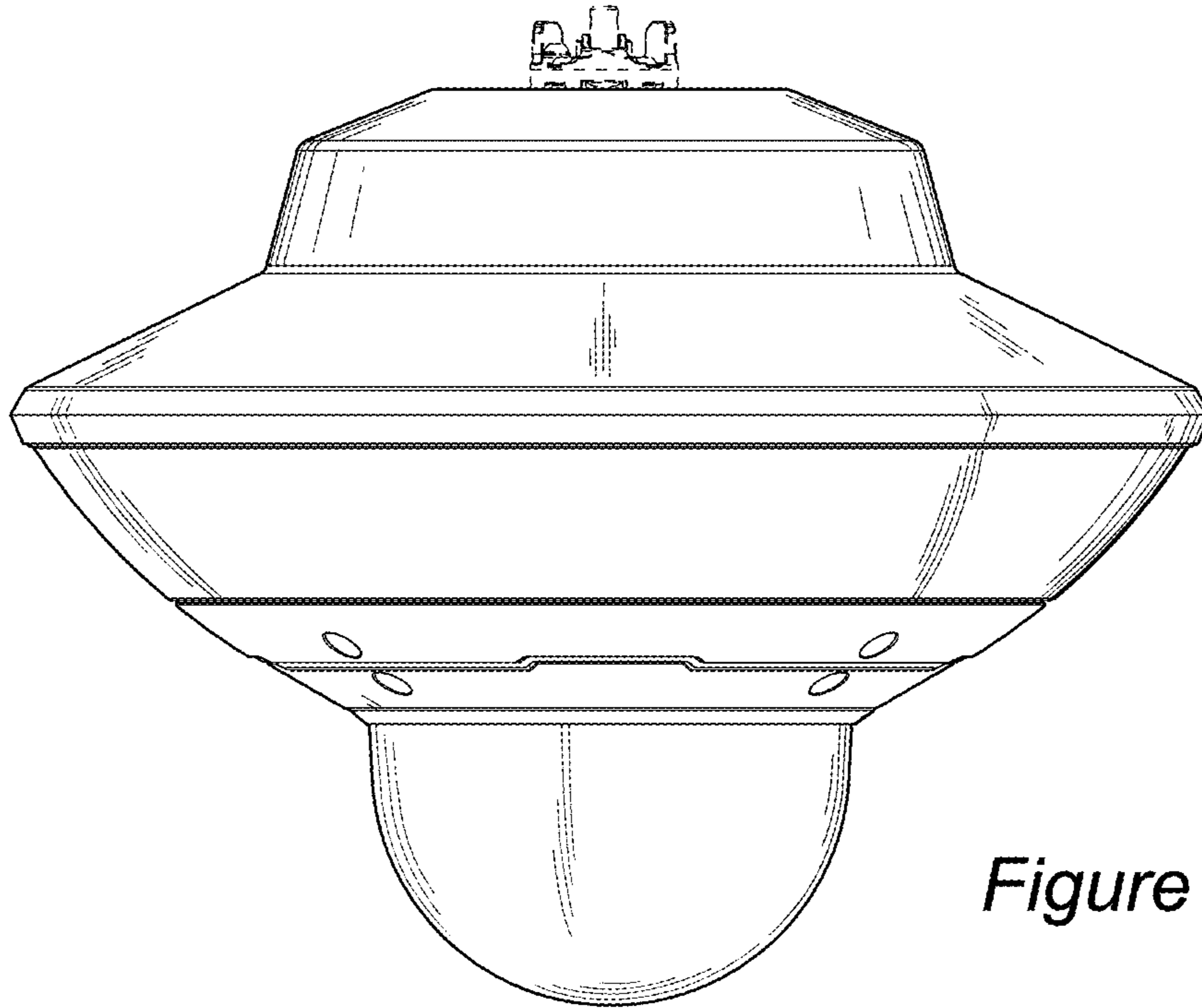


Figure 2

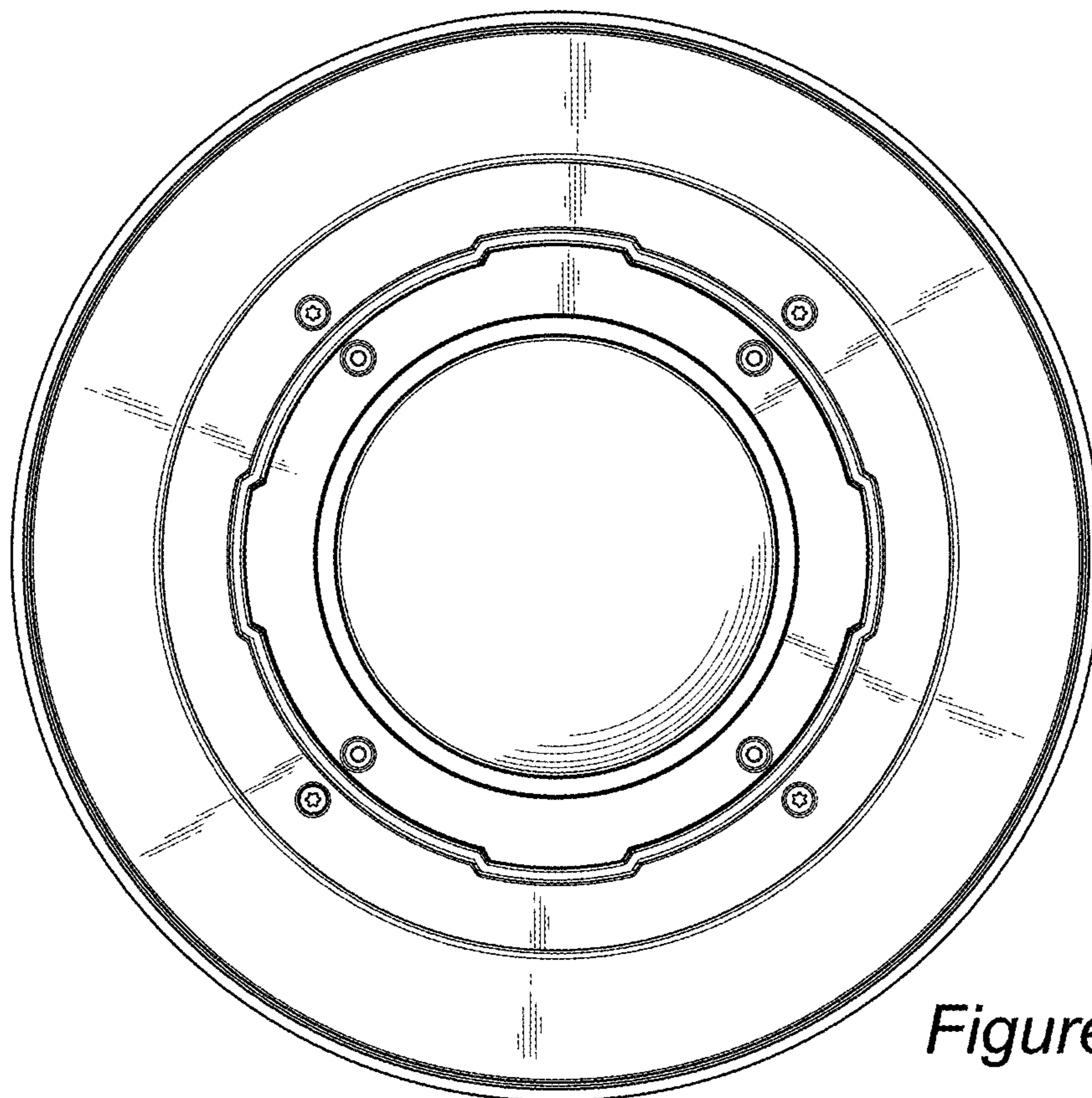


Figure 3

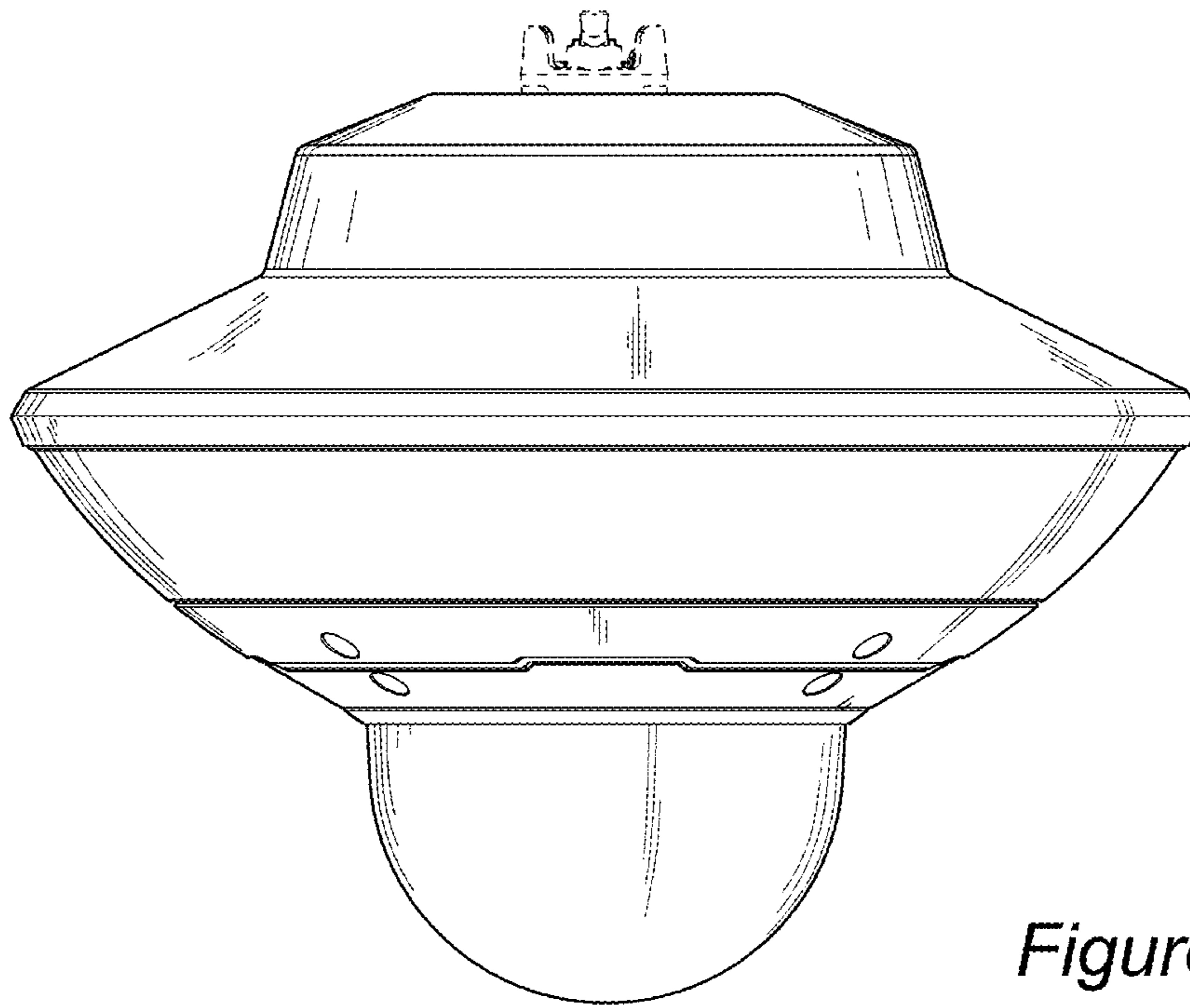


Figure 4

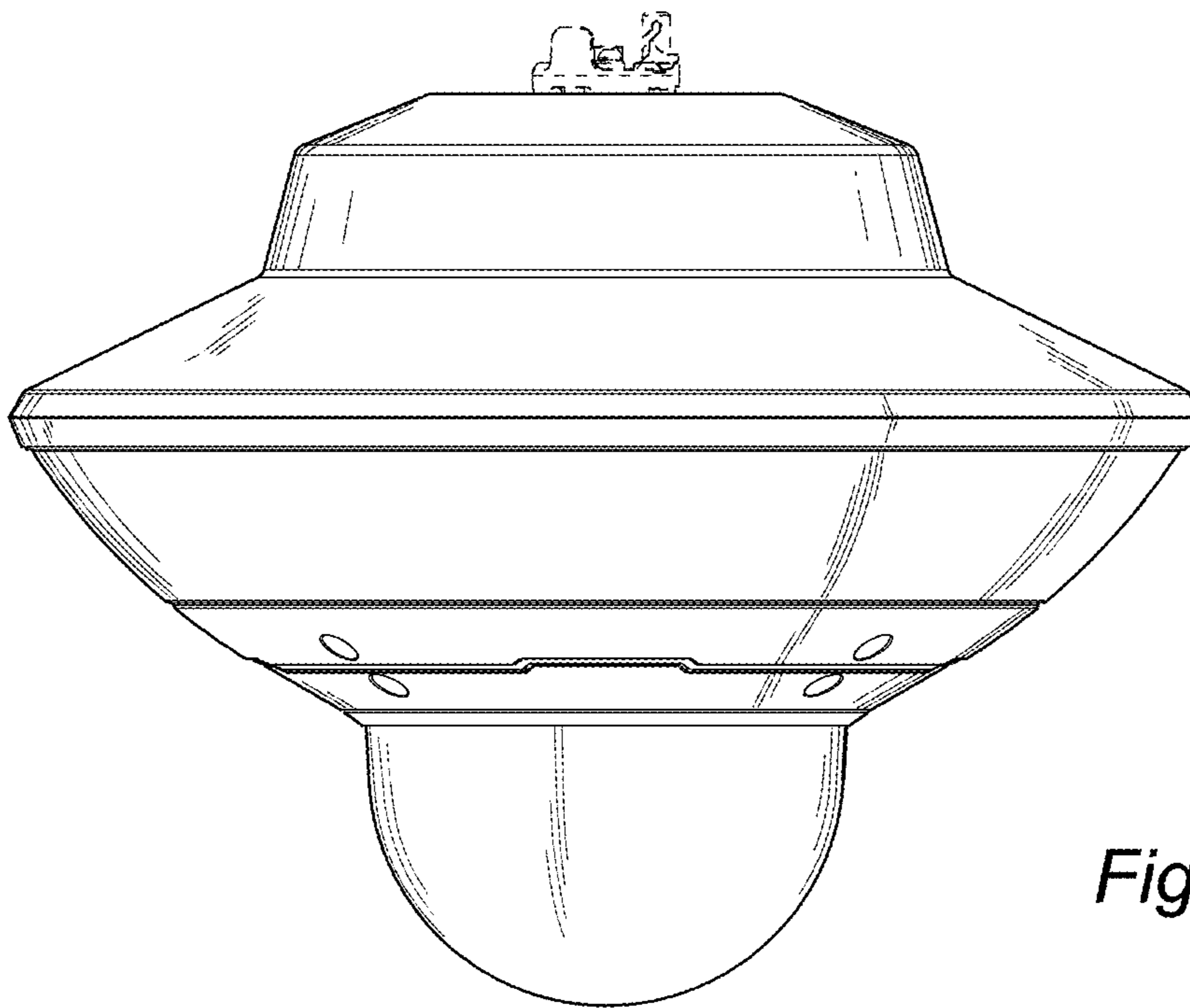


Figure 5

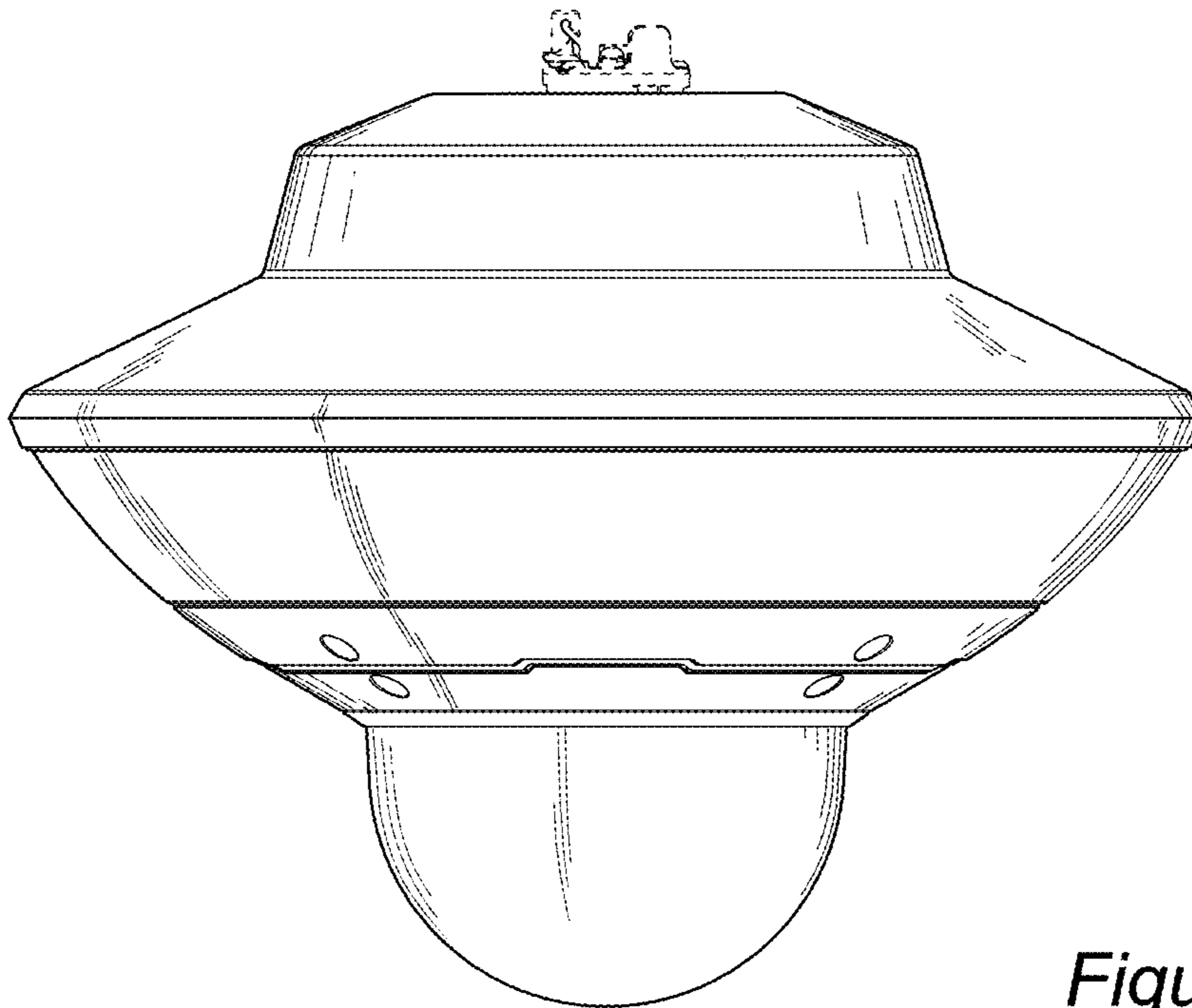


Figure 6

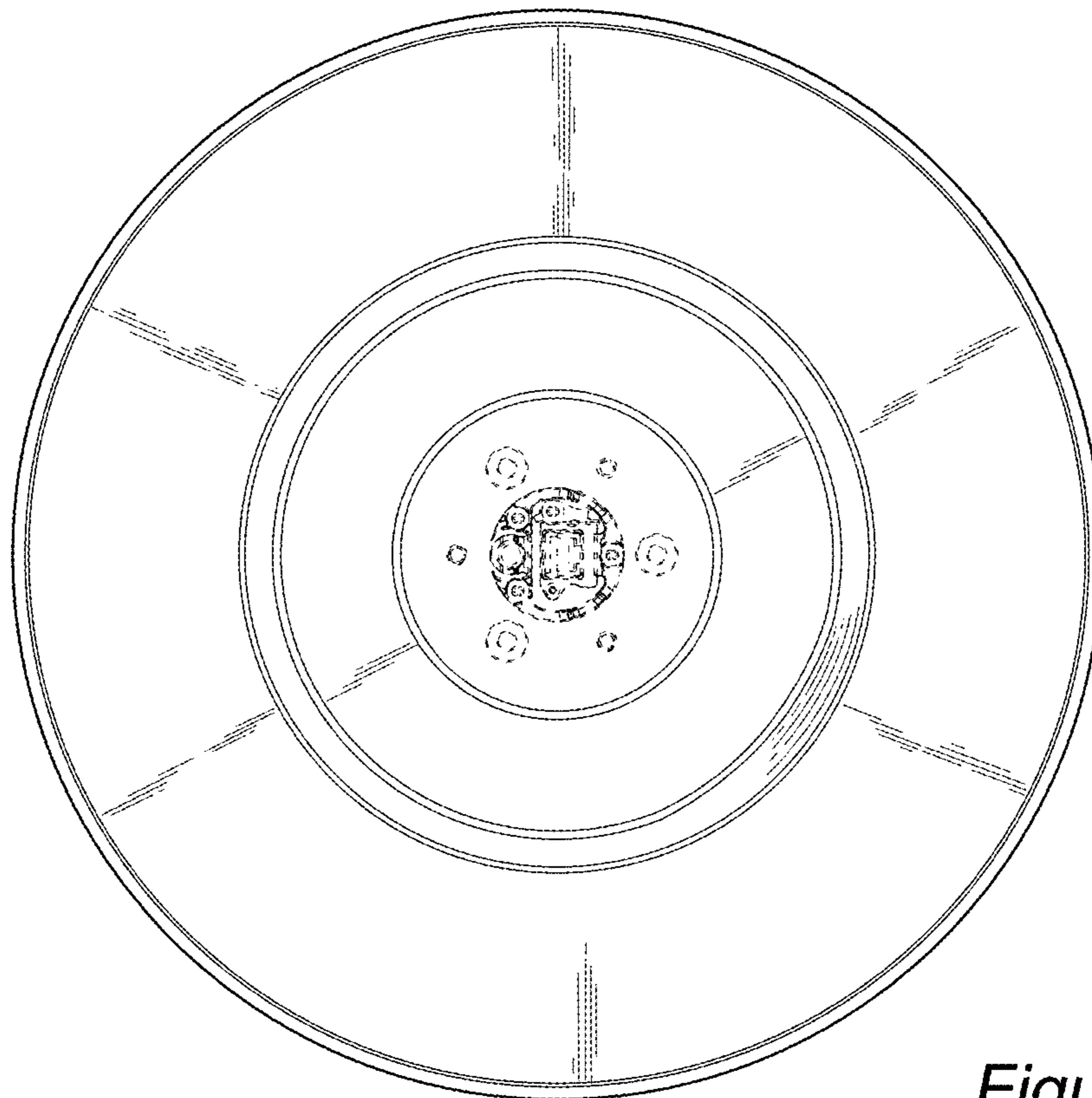


Figure 7