



US00D777816S

(12) **United States Design Patent**
Jürs

(10) **Patent No.:** **US D777,816 S**
(45) **Date of Patent:** **** Jan. 31, 2017**

(54) **MACHINE FOR PREPARING FOOD**

(71) Applicant: **NORDISCHER MASCHINENBAU
RUD. BAADER GMBH+ CO. KG,**
Lubeck (DE)

(72) Inventor: **Michael Jürs,** Neustadt (DE)

(73) Assignee: **Nordischer Maschinenbau Rud.
Baader GmbH + Co. KG,** Lubeck
(DE)

(**) Term: **14 Years**

(21) Appl. No.: **29/489,272**

(22) Filed: **Apr. 29, 2014**

(51) **LOC (10) Cl.** **15-99**

(52) **U.S. Cl.**
USPC **D15/199**

(58) **Field of Classification Search**
USPC D15/122, 145, 199; 452/135, 152, 161,
452/162
See application file for complete search history.

(56) **References Cited**

U.S. PATENT DOCUMENTS

1,380,652	A *	6/1921	Huidobro	A21C 3/02 425/324.1
1,523,843	A *	1/1925	Smith	A47J 27/14 366/147
1,556,365	A *	10/1925	Smith	A23L 1/0121 99/348
1,569,472	A *	1/1926	Fronney	A47J 44/02 83/404.1
1,757,013	A *	5/1930	Gallison	A22C 25/16 452/161
1,908,283	A *	5/1933	Burnes	A22C 25/16 452/148

2,114,020	A *	4/1938	Fronney	B26D 1/29 241/185.5
2,350,643	A *	6/1944	Schwebke	A23L 1/1805 99/323.4
2,381,560	A *	8/1945	Savrda	A22C 25/16 452/153
D166,166	S *	3/1952	Knapp	D15/145
4,985,965	A	1/1991	Leavitt		
5,482,502	A *	1/1996	Hjorth	A22C 25/16 452/162
5,503,593	A	4/1996	Schill		
5,520,576	A *	5/1996	Wastell	A22C 25/16 452/161

(Continued)

OTHER PUBLICATIONS

Notice of Allowance dated Oct. 29, 2015 from U.S. Appl. No. 29/489,257, filed Apr. 29, 2014.

Primary Examiner — Patricia Palasik

(74) *Attorney, Agent, or Firm* — Sunstone IP

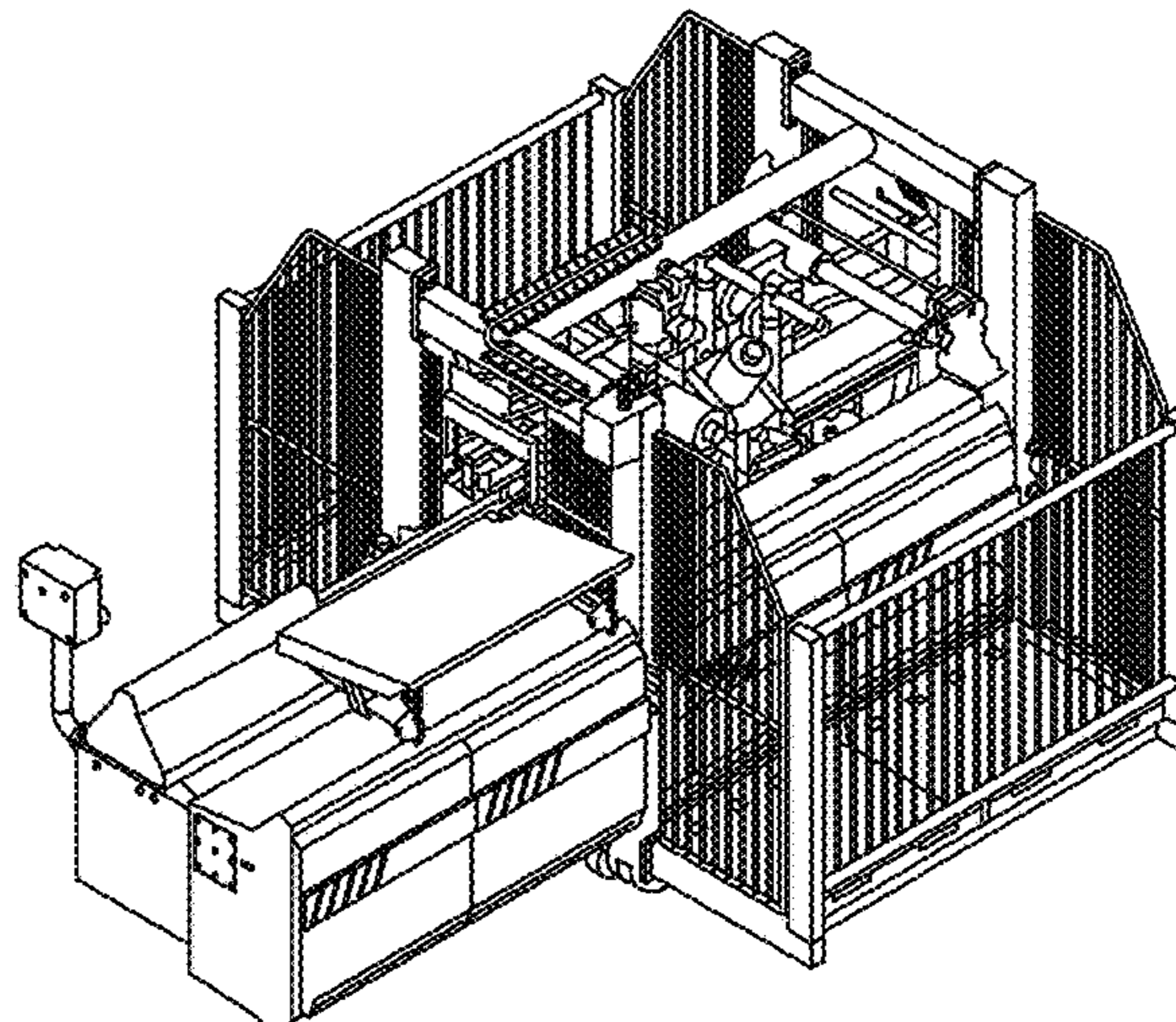
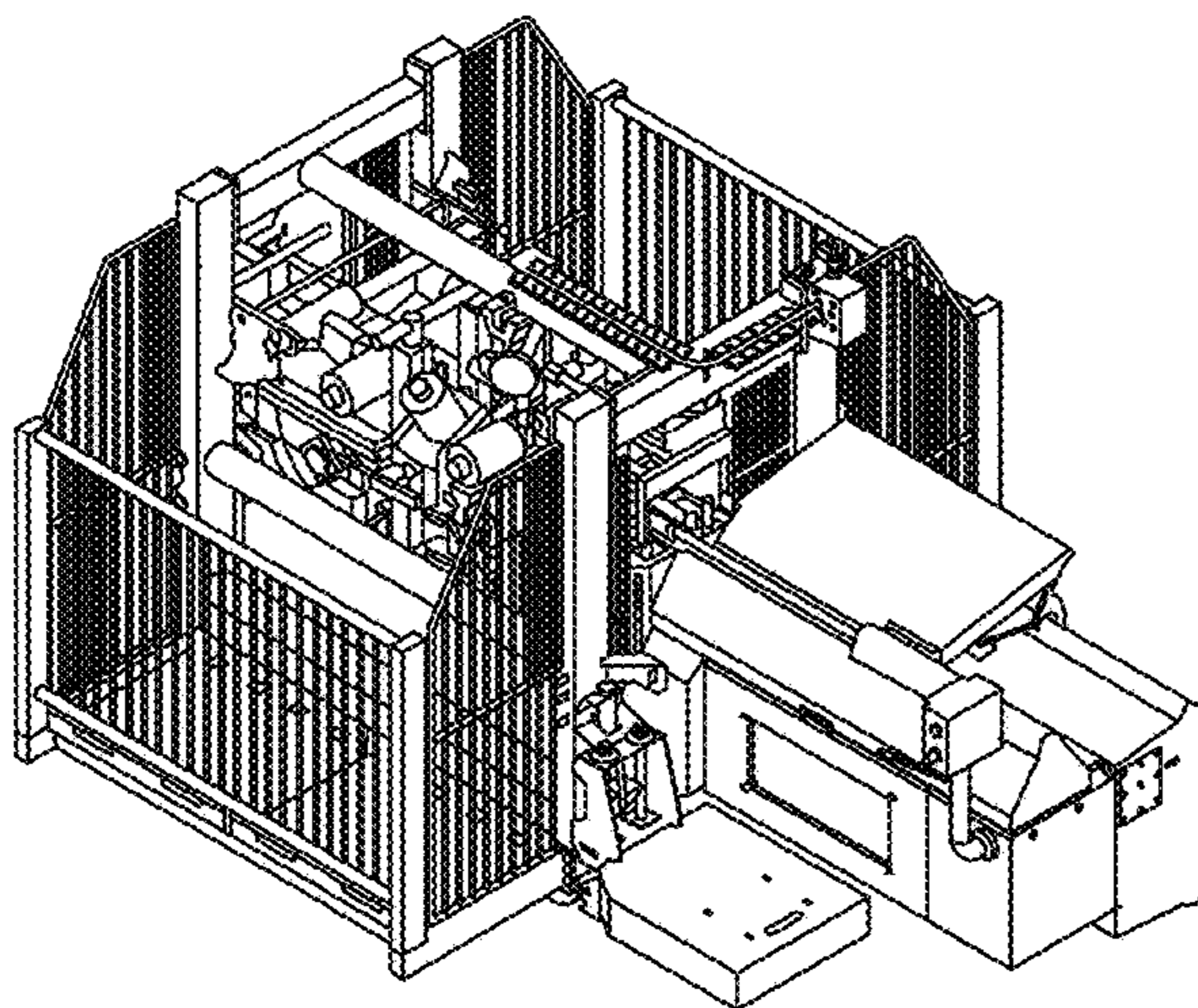
(57) **CLAIM**

The ornamental design for a machine for preparing food, as shown and described.

DESCRIPTION

FIG. 1 is a front elevational view of a machine for preparing food;
FIG. 2 is a rear elevational view thereof;
FIG. 3 is a right side elevational view thereof;
FIG. 4 is a left side elevational view thereof;
FIG. 5 is a top plan view thereof;
FIG. 6 is a perspective view thereof;
FIG. 7 is an alternative perspective view thereof;
FIG. 8 is another alternative perspective view thereof; and,
FIG. 9 is yet another alternative perspective view thereof.

1 Claim, 7 Drawing Sheets



(56)

References Cited

U.S. PATENT DOCUMENTS

5,580,167 A * 12/1996 Drocco A21C 1/02
366/149
D377,496 S * 1/1997 Poole D15/145
6,367,371 B1 * 4/2002 Ni A23L 1/0121
219/389
6,435,079 B2 * 8/2002 Mondini 425/110
7,614,360 B2 * 11/2009 Muniga A23P 1/082
118/16
7,934,448 B2 * 5/2011 Walser A22C 17/0066
227/39
8,151,695 B2 * 4/2012 Szymanski A21B 5/03
432/59
D696,970 S 1/2014 Runger et al.
8,715,045 B2 5/2014 Jacobsen et al.
8,728,555 B1 * 5/2014 Howard A23L 1/0121
426/383
2004/0087265 A1 * 5/2004 Jakobsen A22C 25/16
452/161
2013/0295829 A1 * 11/2013 Jacobsen A22C 25/163
452/157
2015/0087214 A1 3/2015 Jurs et al.
2015/0257398 A1 9/2015 Pedersen

* cited by examiner

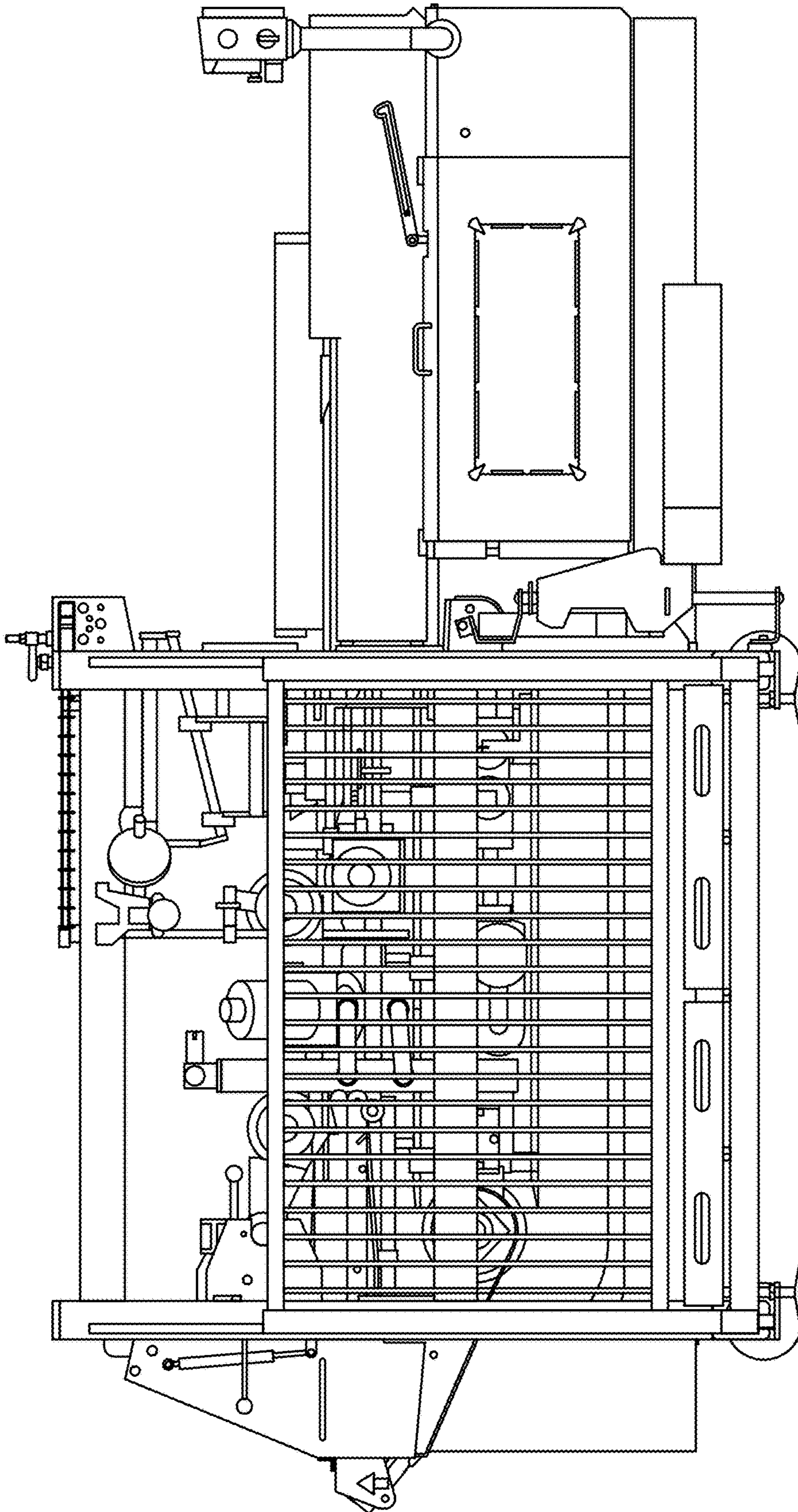


FIG. 1

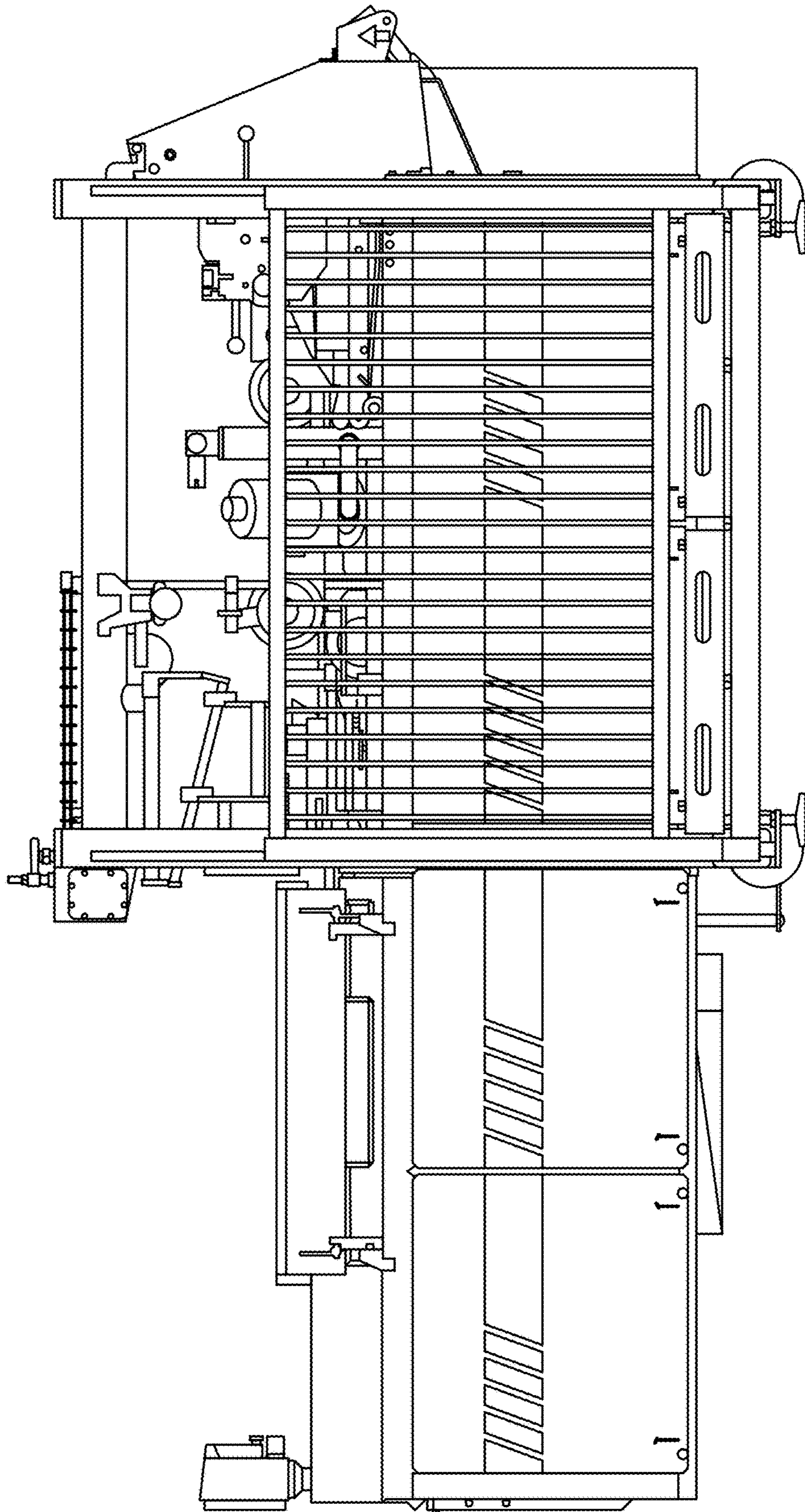


FIG. 2

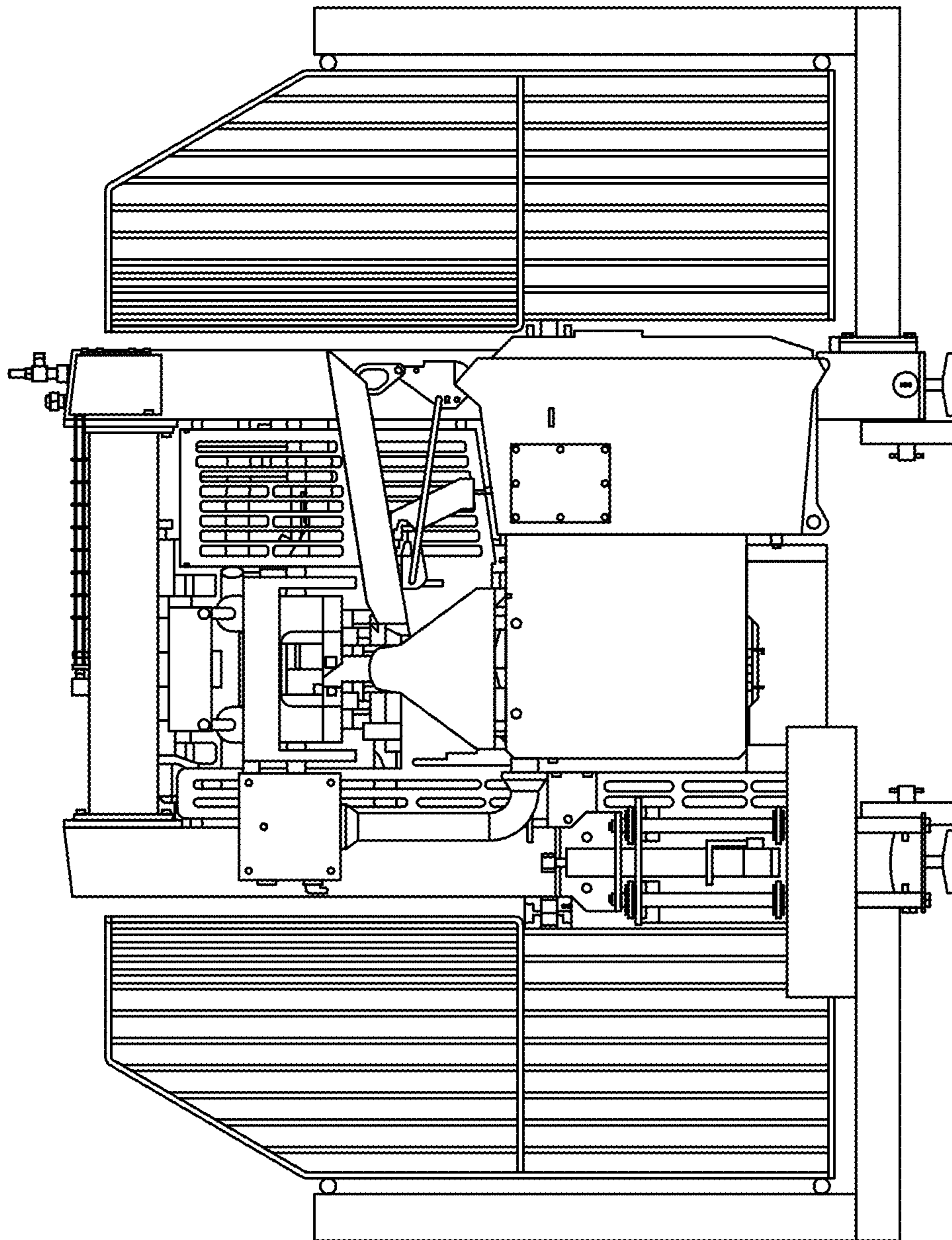


FIG. 3

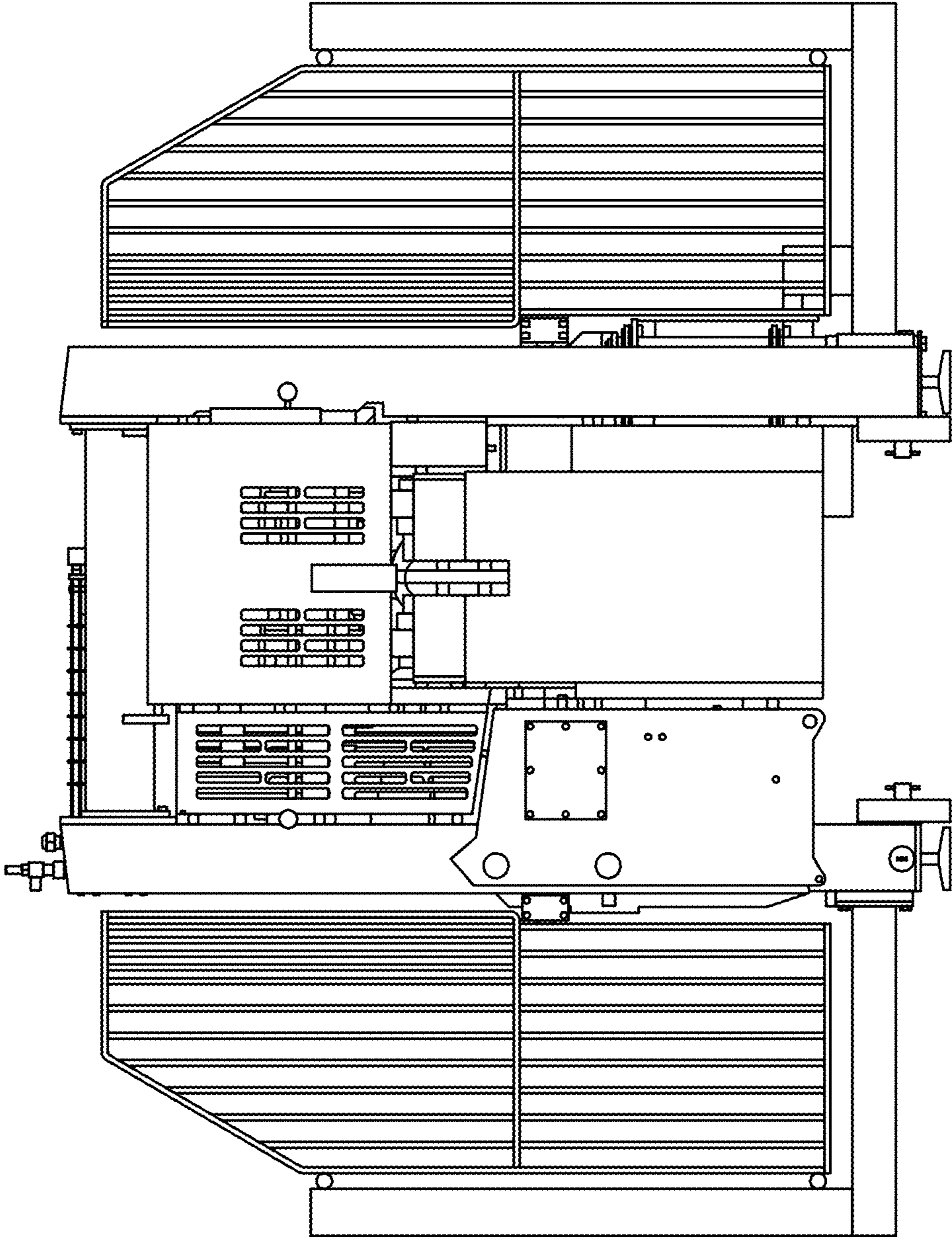


FIG. 4

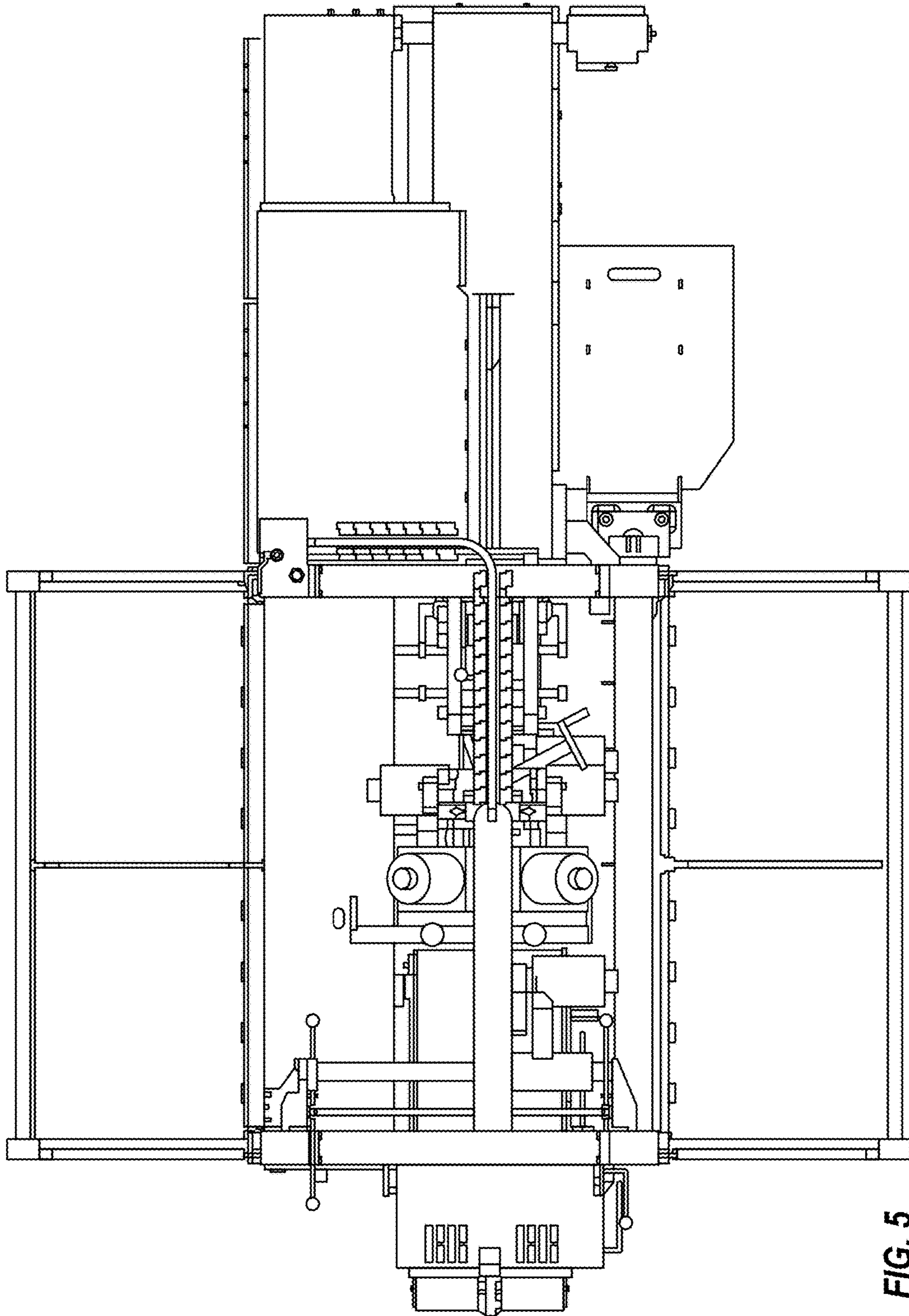


FIG. 5

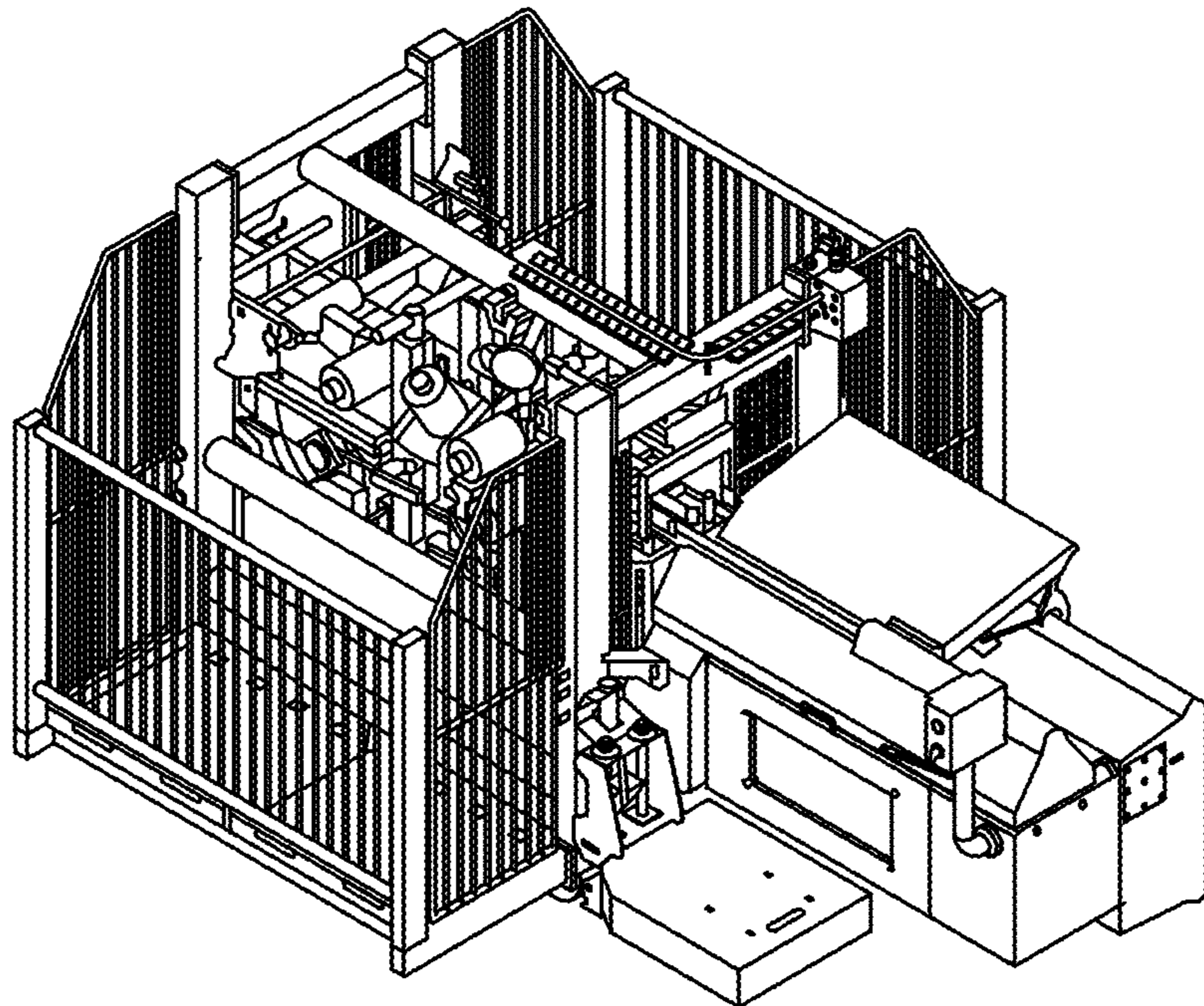


FIG. 6

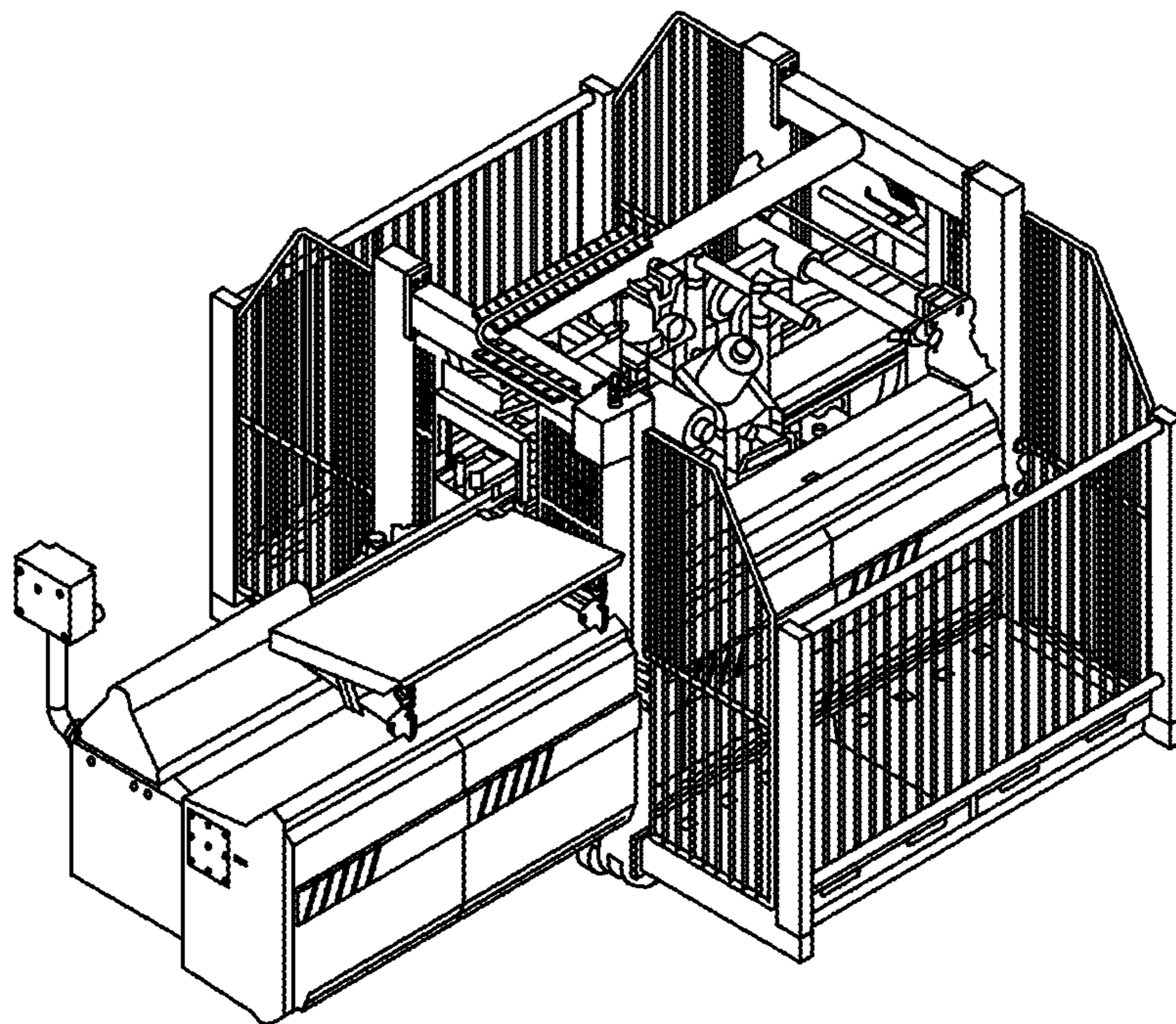


FIG. 7

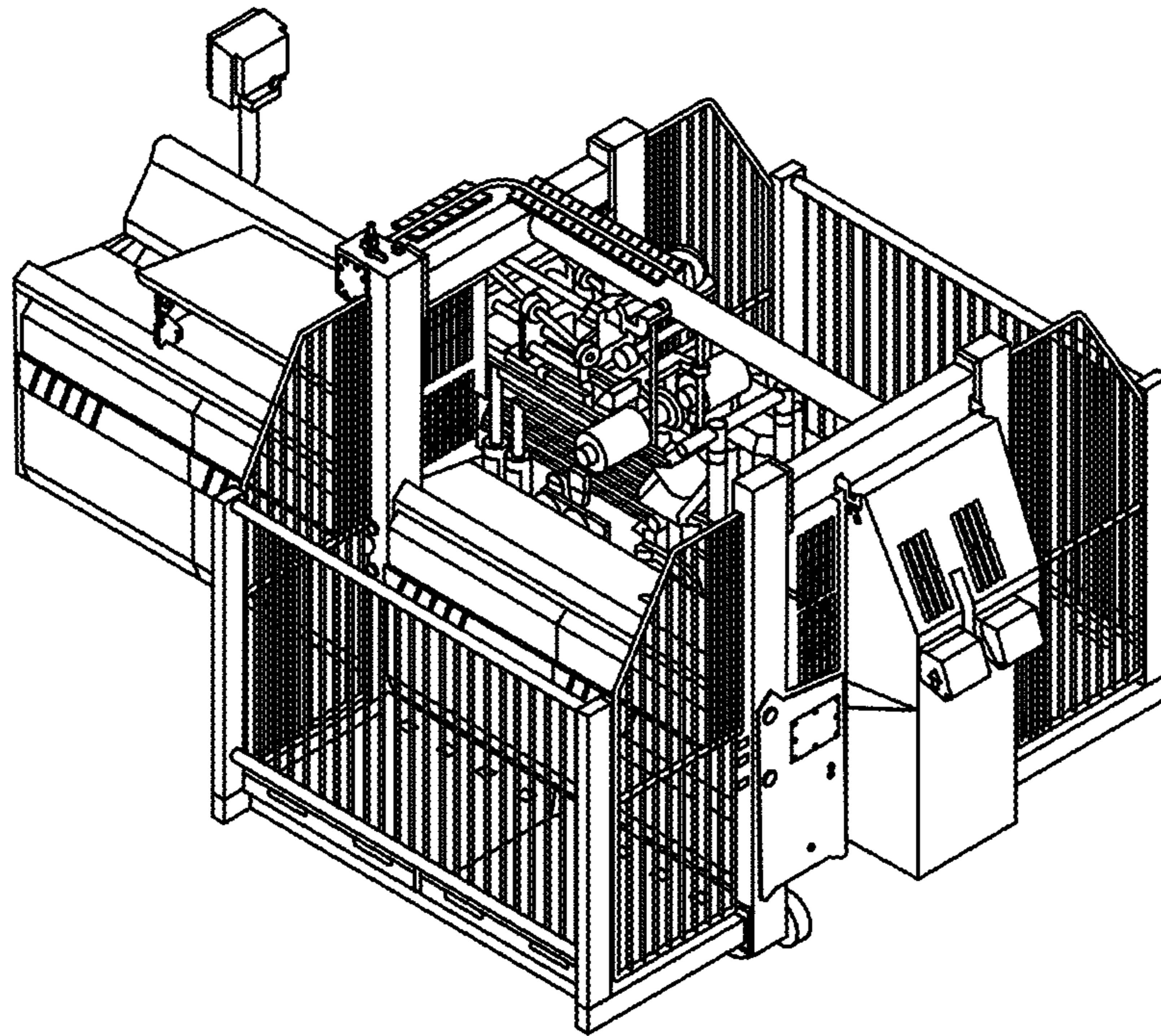


FIG. 8

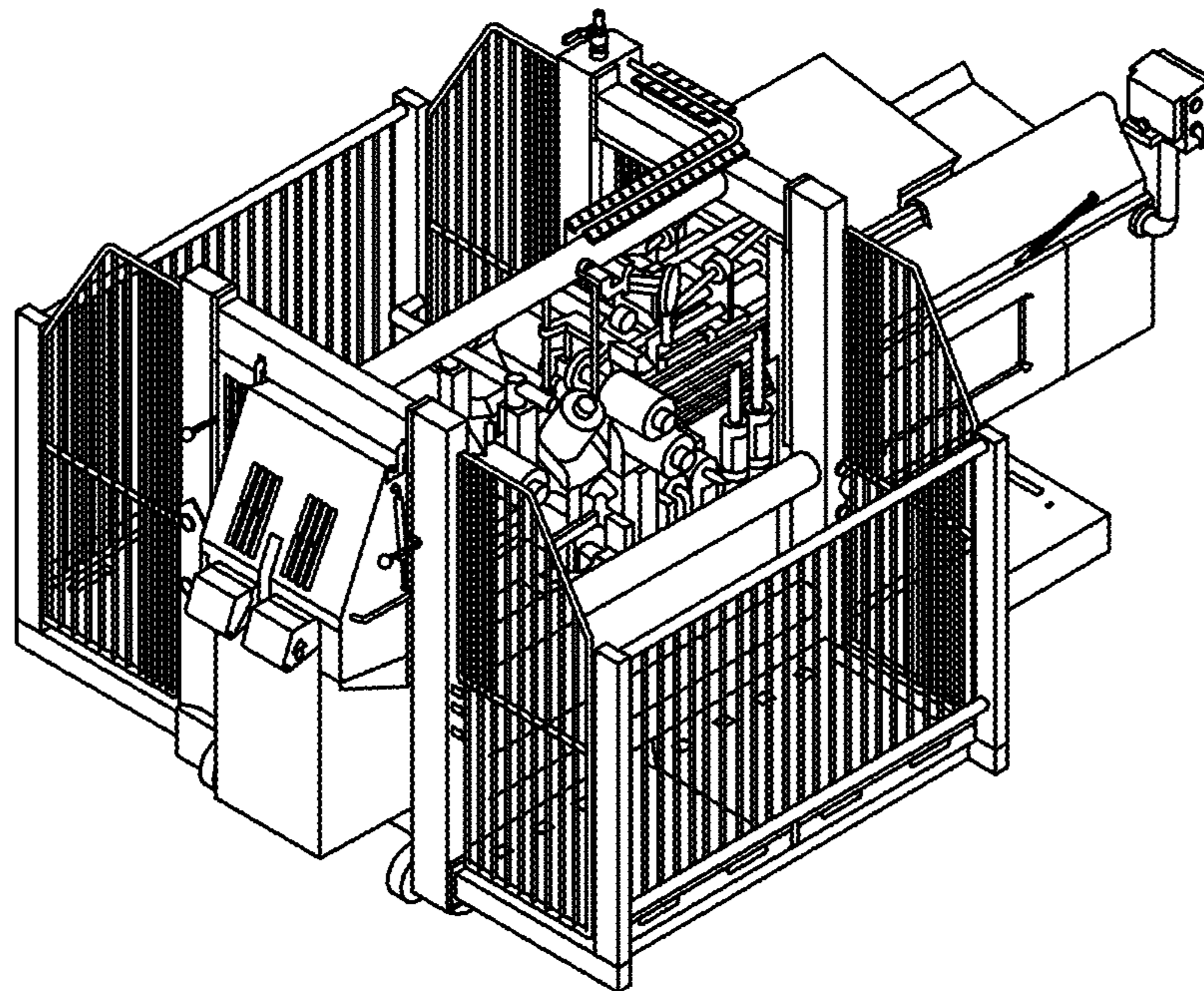


FIG. 9