



US00D777815S

(12) **United States Design Patent** (10) **Patent No.:** **US D777,815 S**
Ebner (45) **Date of Patent:** **** Jan. 31, 2017**

- (54) **GEARBOX**
- (71) Applicant: **Wittenstein AG**, Igersheim (DE)
- (72) Inventor: **Siegfried Ebner**, Zell am See (AT)
- (73) Assignee: **Wittenstein SE**, Igersheim (DE)
- (**) Term: **14 Years**
- (21) Appl. No.: **29/502,920**
- (22) Filed: **Sep. 22, 2014**
- (30) **Foreign Application Priority Data**
 Jun. 30, 2014 (EP) 002493221
- (51) **LOC (10) Cl.** **15-09**
- (52) **U.S. Cl.**
 USPC **D15/148**
- (58) **Field of Classification Search**
 USPC D15/148, 149, 5; D12/122-127, 180;
 192/223.2, 38; 475/331; 92/71; 74/640
 CPC F16D 41/105; F16D 41/061-41/064;
 F16D 41/067; F16D 41/07; F16D 41/066;
 F16H 1/28; F16H 1/46; F16H
 57/029; F16H 57/033; F16H
 57/0482; F16H 57/082; F16H 49/001
 See application file for complete search history.

- (56) **References Cited**
U.S. PATENT DOCUMENTS
 D479,541 S * 9/2003 Lannoch D15/148
 D479,542 S * 9/2003 Lannoch D15/148
 D497,374 S * 10/2004 Wittenstein D15/148
 D514,607 S * 2/2006 Wittenstein D15/148
 D529,939 S * 10/2006 Wilhelm D15/148

- D543,565 S * 5/2007 Kopecki D15/149
- D618,263 S * 6/2010 Siegfried D15/148
- D683,775 S * 6/2013 Farrenkopf D15/148
- D703,253 S * 4/2014 Lannoch D15/148
- D704,756 S * 5/2014 Voelker D15/148
- 8,950,565 B2 * 2/2015 Adams F16D 41/105
 192/223.2
- 2004/0166986 A1 * 8/2004 Bayer F16H 1/28
 475/331
- 2006/0096412 A1 * 5/2006 Wittenstein F16H 1/28
 74/606 R

* cited by examiner

Primary Examiner — Susan Bennett Hattan
Assistant Examiner — Brett Miller

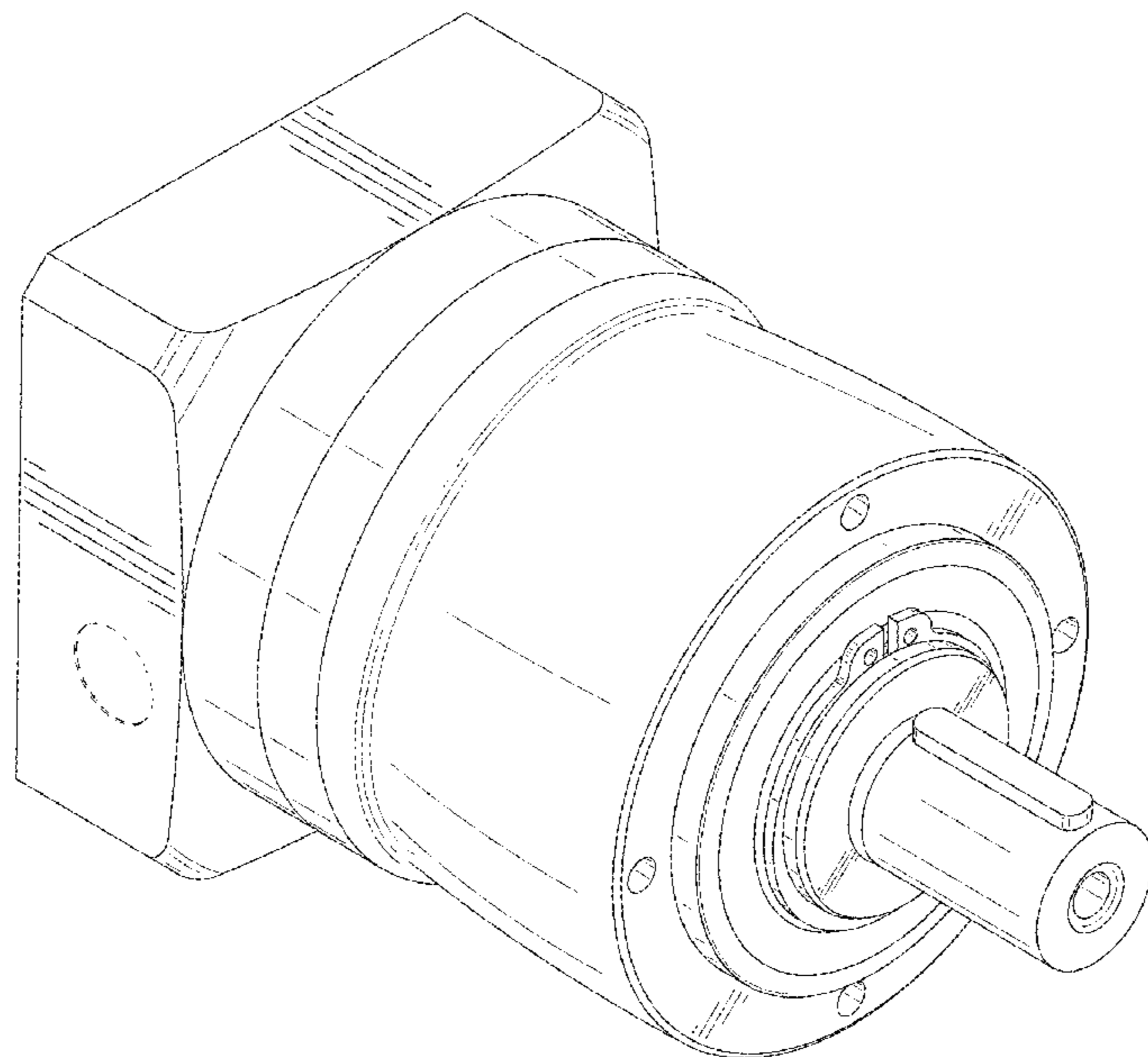
(74) *Attorney, Agent, or Firm* — Bachman & LaPointe, PC

(57) **CLAIM**
 The ornamental design of gearbox, as shown.

DESCRIPTION

FIG. 1 is a perspective view showing the ornamental design of a first embodiment of a gearbox in accordance with the present invention;
 FIG. 2 is a side view of the embodiment of FIG. 1;
 FIG. 3 is a front view of the embodiment of FIG. 1;
 FIG. 4 is a back view of the embodiment of FIG. 1;
 FIG. 5 is a perspective view showing the ornamental design of a second embodiment of a gearbox in accordance with the present invention;
 FIG. 6 is a side view of the embodiment of FIG. 5;
 FIG. 7 is a front view of the embodiment of FIG. 5; and,
 FIG. 8 is a back view of the embodiment of FIG. 5.
 The broken lines depict portions of the gearbox that form no part of the claim.

1 Claim, 8 Drawing Sheets



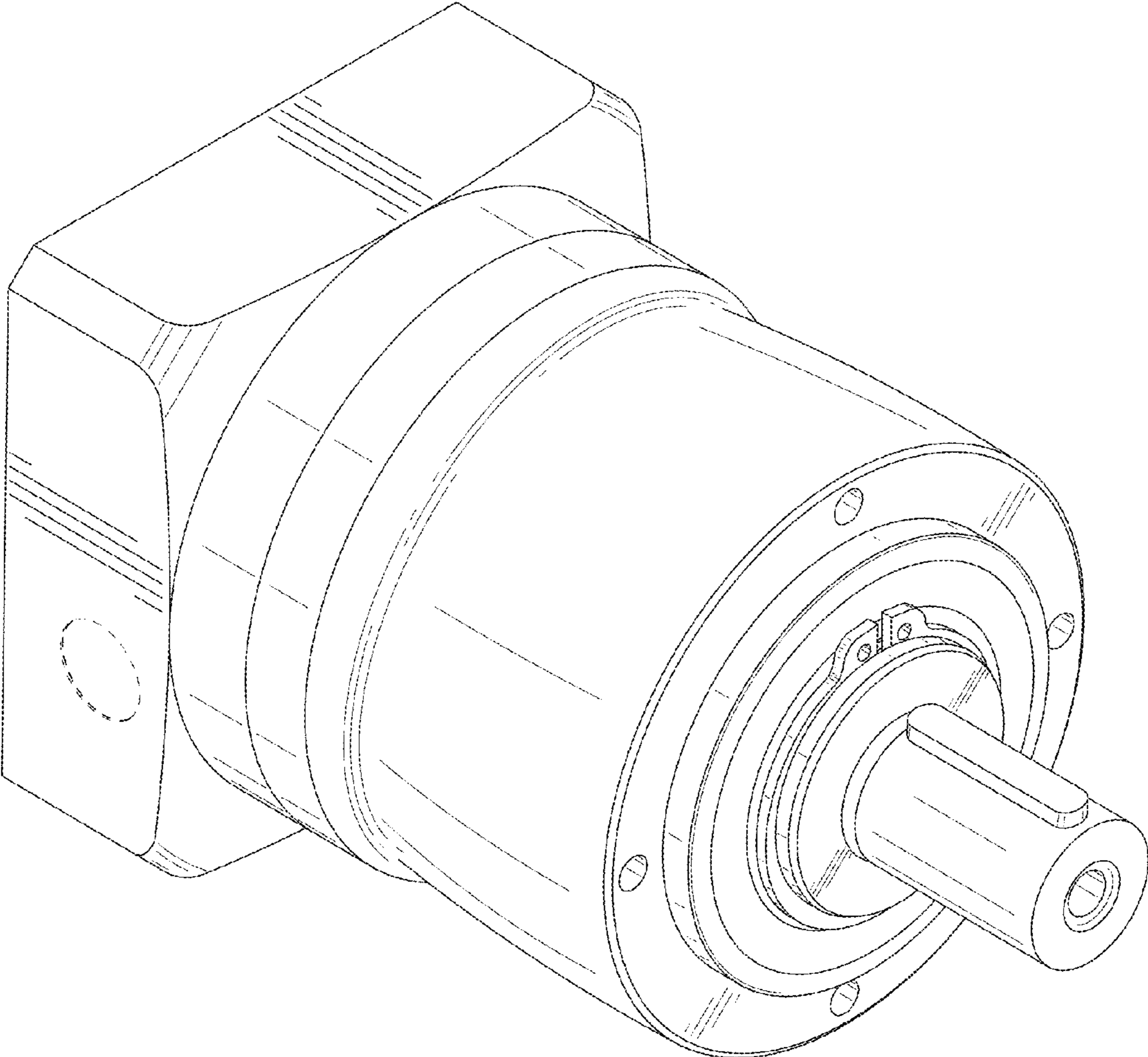


FIG. 1

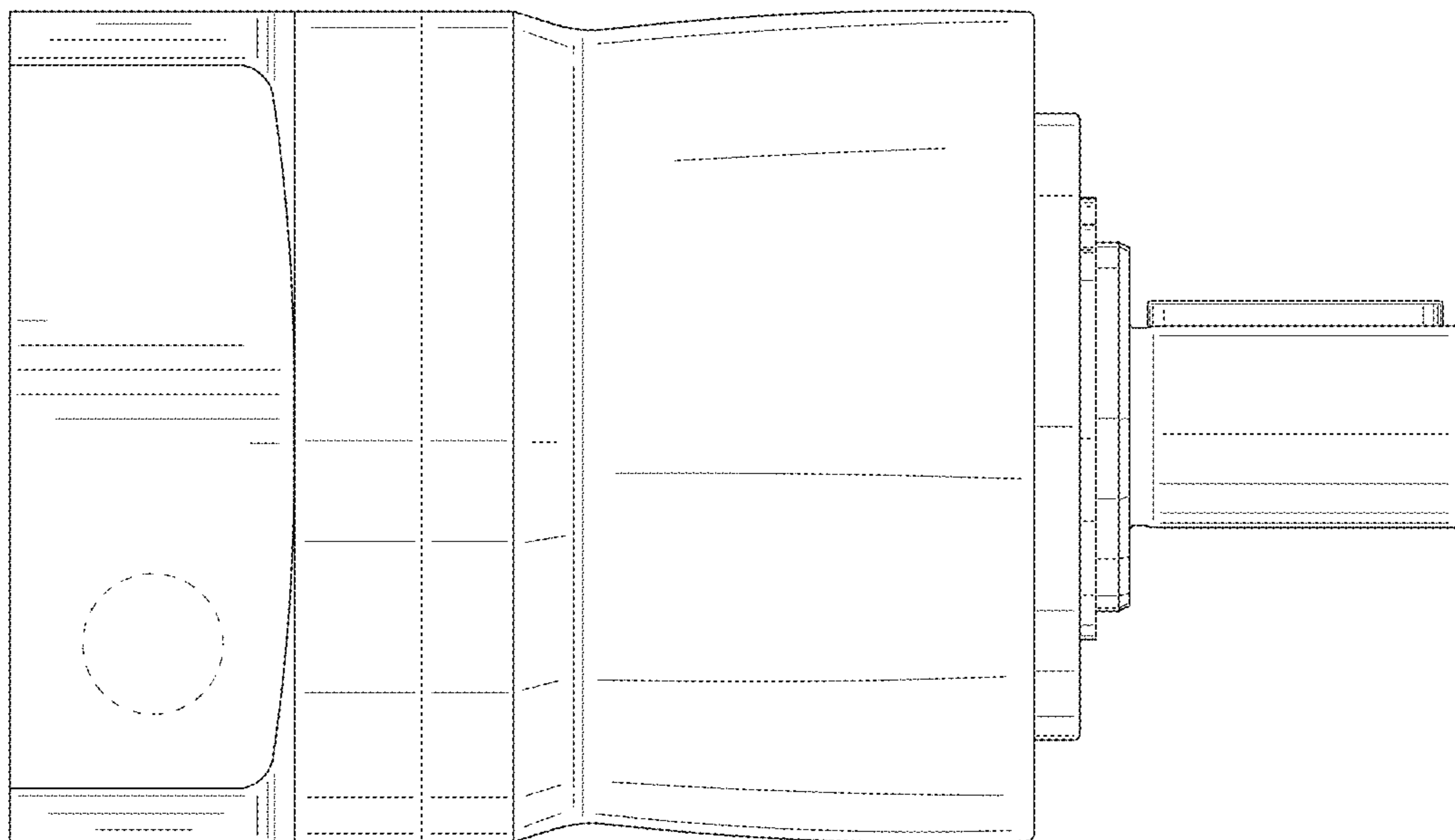


FIG. 2

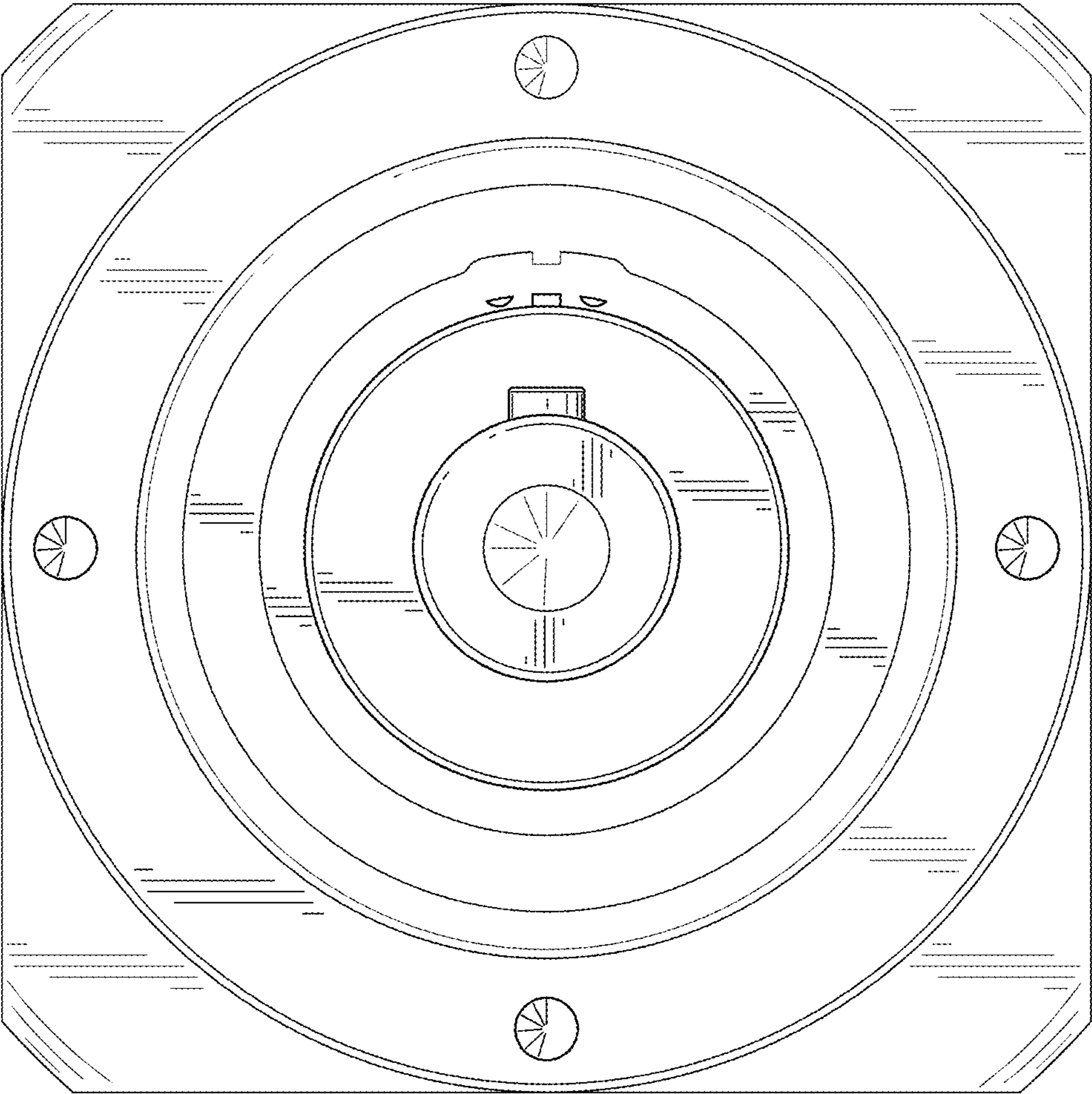


FIG. 3

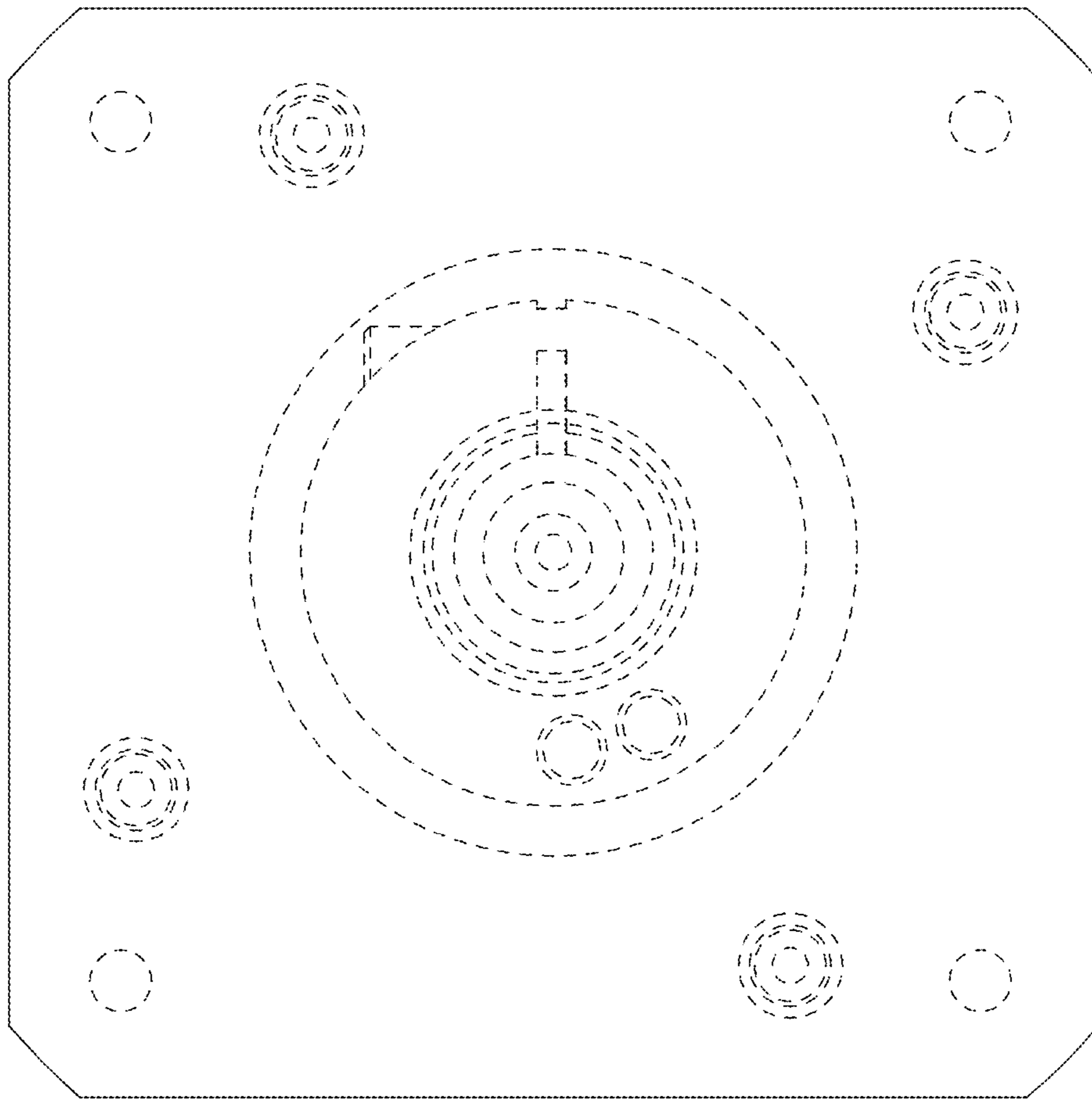


FIG. 4

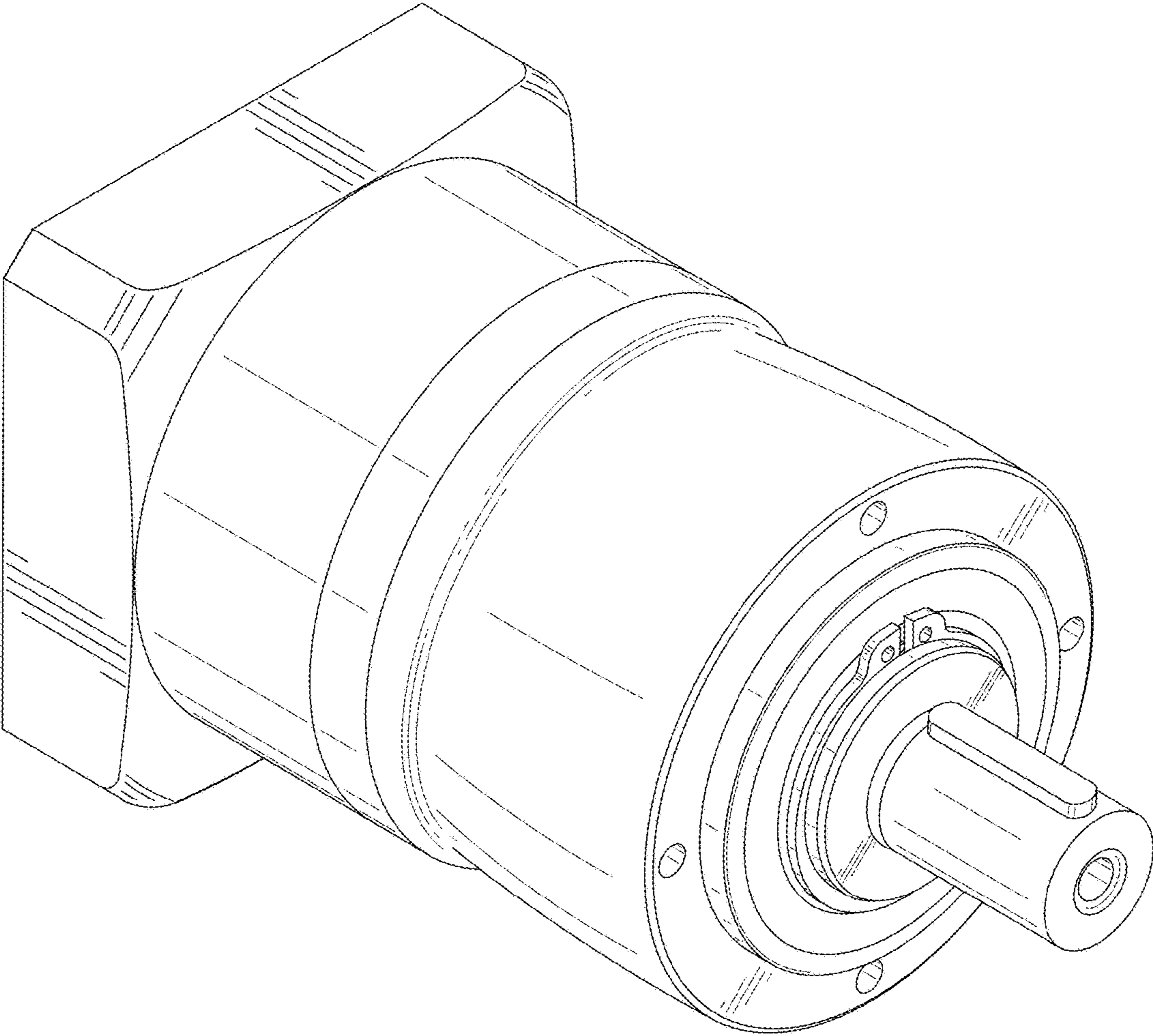


FIG. 5

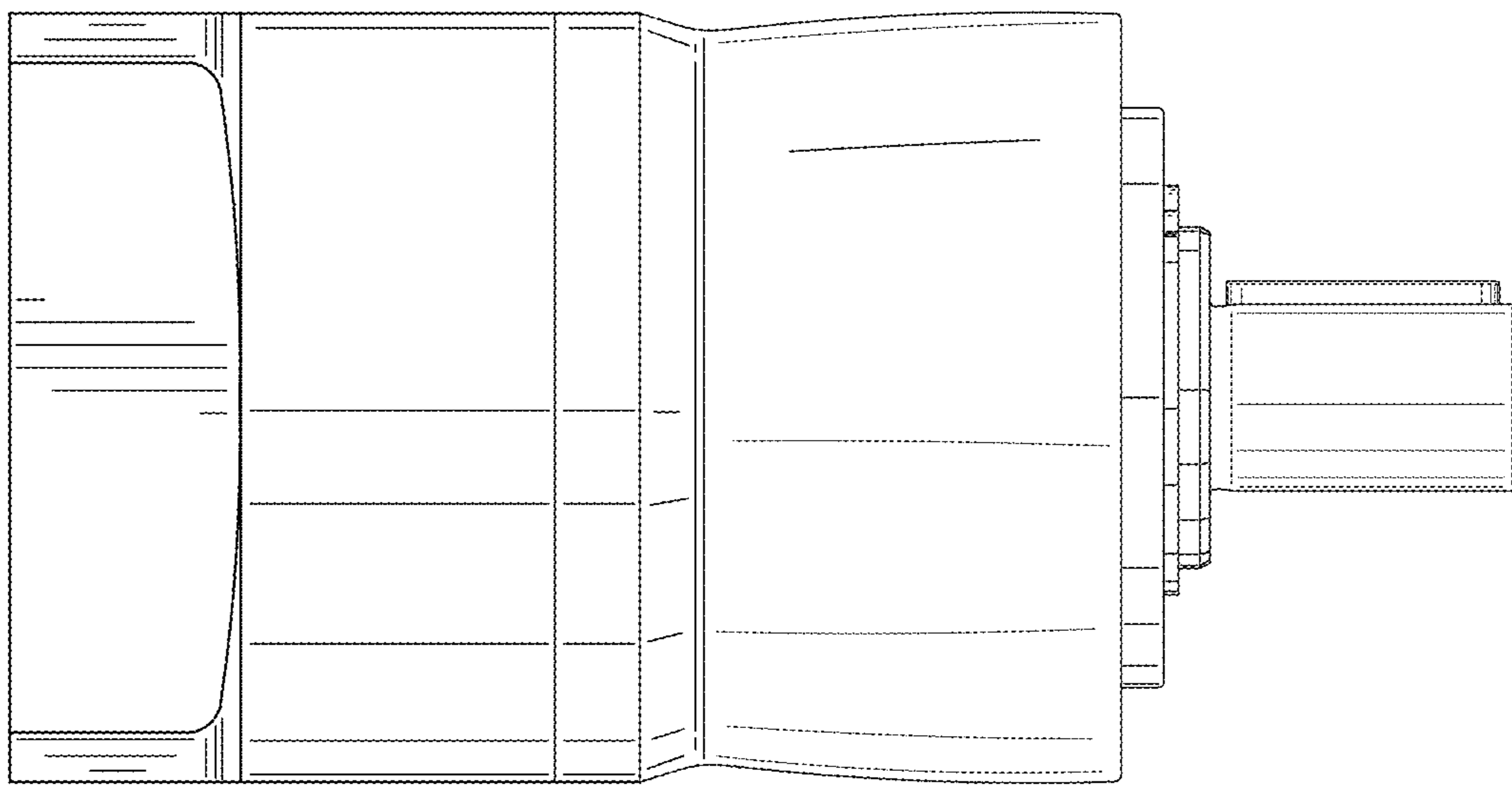


FIG. 6

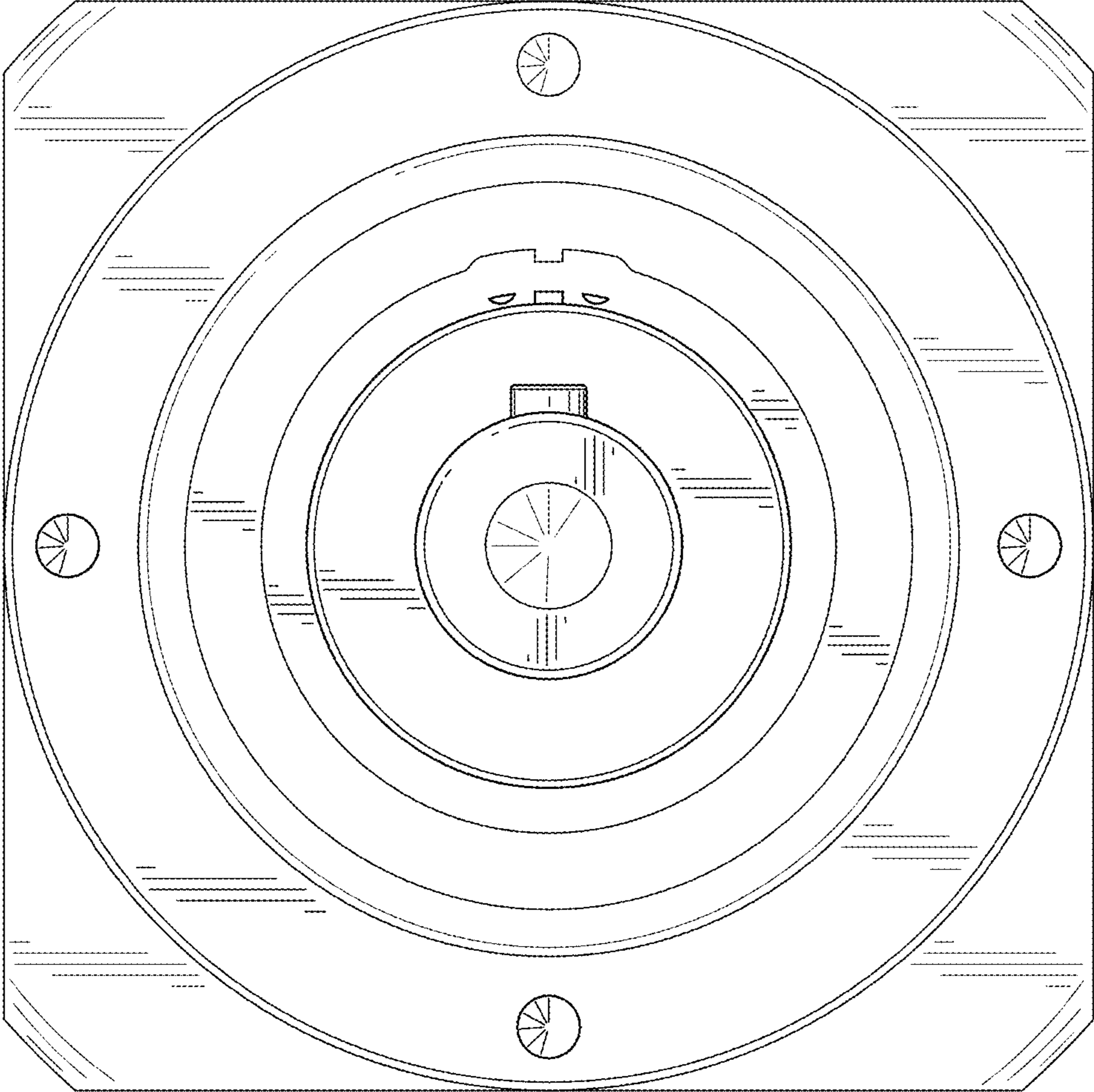


FIG. 7

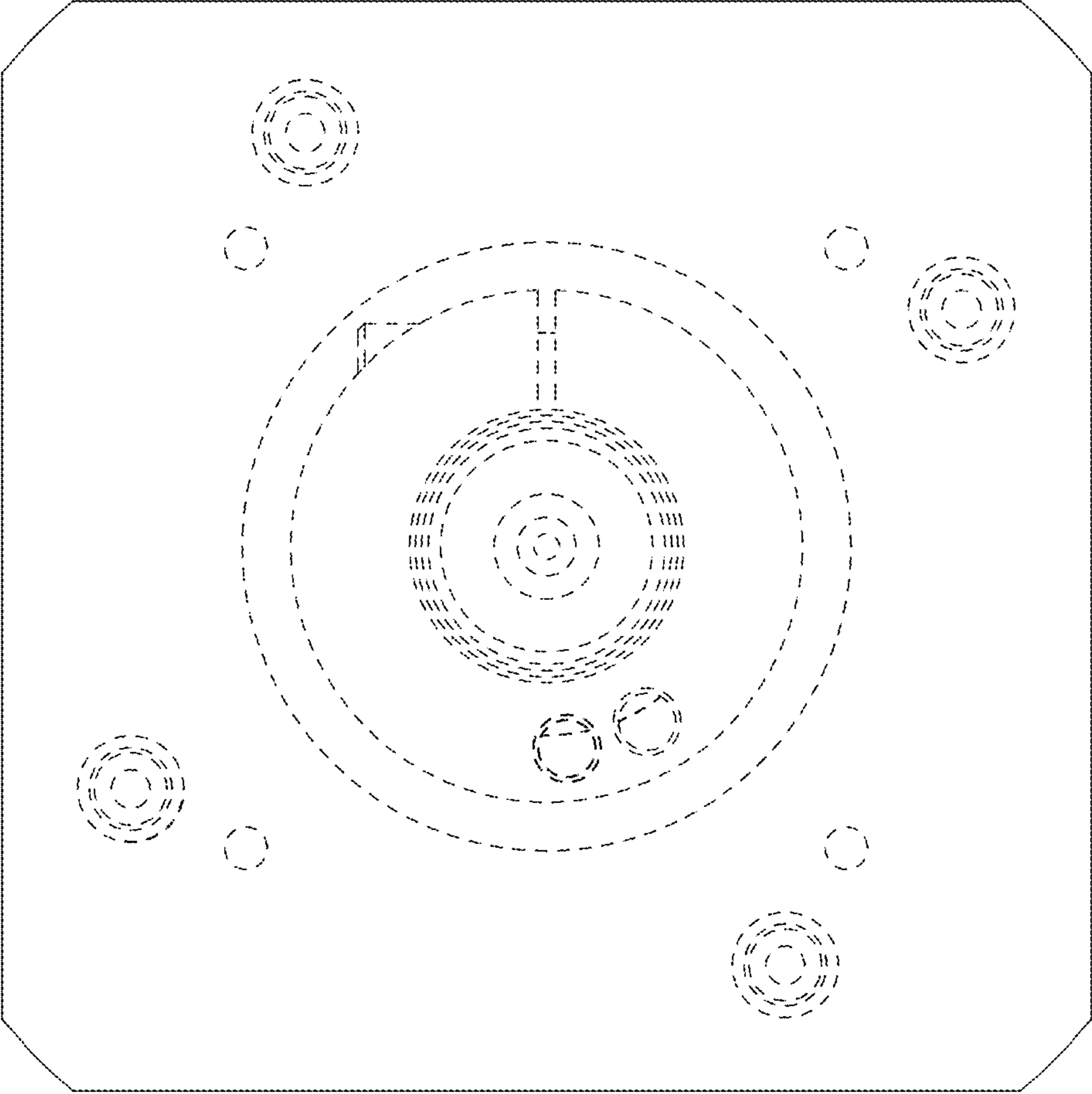


FIG. 8