



US00D777814S

(12) **United States Design Patent**
Verhoeven et al.

(10) **Patent No.:** **US D777,814 S**

(45) **Date of Patent:** **** Jan. 31, 2017**

(54) **RAIL**

(71) Applicant: **Fuji Seal International, Inc.**, Osaka
(JP)

(72) Inventors: **Stijn Antonius Petrus Verhoeven**,
Bakel (NL); **Jeroen Gerrit Anton**
Gebbink, Helmond (NL)

(73) Assignee: **Fuji Seal International Inc.**, Osaka
(JP)

(**) Term: **14 Years**

(21) Appl. No.: **29/522,481**

(22) Filed: **Mar. 31, 2015**

(51) **LOC (10) Cl.** **15-09**

(52) **U.S. Cl.**
USPC **D15/145**

(58) **Field of Classification Search**
USPC D15/122, 138, 145; D25/119, 124
See application file for complete search history.

(56) **References Cited**

U.S. PATENT DOCUMENTS

D189,447 S *	12/1960	Attwood	D25/121
D199,024 S *	9/1964	Huret	D25/123
D200,702 S *	3/1965	Huret	D25/121
D210,519 S *	3/1968	Kusel	D25/121
D246,930 S *	1/1978	Win	D26/152
D251,451 S *	3/1979	Toder	D25/121
D296,135 S *	6/1988	Dreiling	D25/136
D300,566 S *	4/1989	Fein	D25/119
D305,799 S *	1/1990	Manzo	D25/38.1
D502,037 S *	2/2005	Nien	D6/580

D609,820 S *	2/2010	Clarke	D25/38.1
D642,959 S *	8/2011	Kishi	D12/50
D643,337 S *	8/2011	Kishi	D12/50

(Continued)

Primary Examiner — Patricia Palasik

(74) *Attorney, Agent, or Firm* — Abelman, Frayne &
Schwab

(57) **CLAIM**

The ornamental design for a rail, as shown and described.

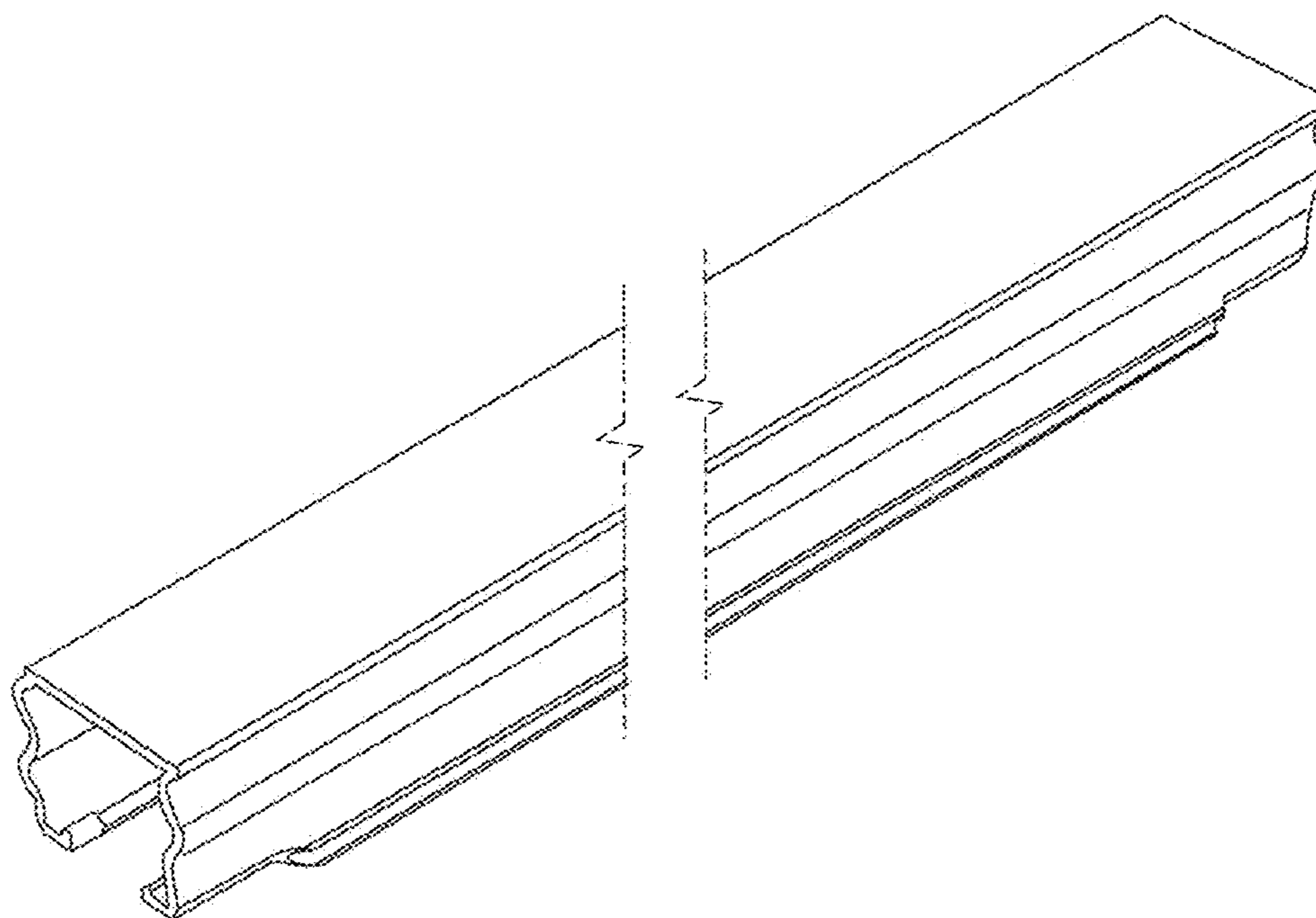
DESCRIPTION

FIG. 1 is a front perspective view showing our rail;
 FIG. 2 is an enlarged front perspective view of FIG. 1;
 FIG. 3 is a rear perspective view thereof;
 FIG. 4 is an enlarged rear perspective view of FIG. 3;
 FIG. 5 is a sectional view taken along line 5-5 in FIG. 4;
 FIG. 6 is an alternative sectional view taken along line 5-5
 in FIG. 4 showing interlocking members in broken lines;
 FIG. 7 is an end perspective view thereof;
 FIG. 8 is an end perspective view thereof showing a spouted
 package, in broken lines, suspended therein;
 FIG. 9 is bottom plan view thereof;
 FIG. 10 is a top plan view thereof;
 FIG. 11 is a rear view thereof;
 FIG. 12 is an enlarged bottom view of FIG. 9;
 FIG. 13 is an enlarged top view of FIG. 10; and,
 FIG. 14 is an enlarged rear view of FIG. 11.

The broken lines showing the interlocking members in FIG.
6, and the spouted package shown in FIG. 8, form no part of
the claimed design.

The dashed break lines in FIGS. 2, 4, 12, 13 and 14 are
shown for clarity of disclosure and indicate enlarged end
views.

1 Claim, 7 Drawing Sheets



(56)

References Cited

U.S. PATENT DOCUMENTS

D649,692 S * 11/2011 Trzesniowski D26/138
D666,327 S * 8/2012 Morton D25/121
D666,328 S * 8/2012 Morton D25/122
D681,509 S * 5/2013 Remington D12/50
9,056,561 B2 * 6/2015 Hayashi B60N 2/0705
9,139,374 B2 * 9/2015 Bhosale B65G 41/00
9,149,142 B2 * 10/2015 Kao A47H 1/04

* cited by examiner

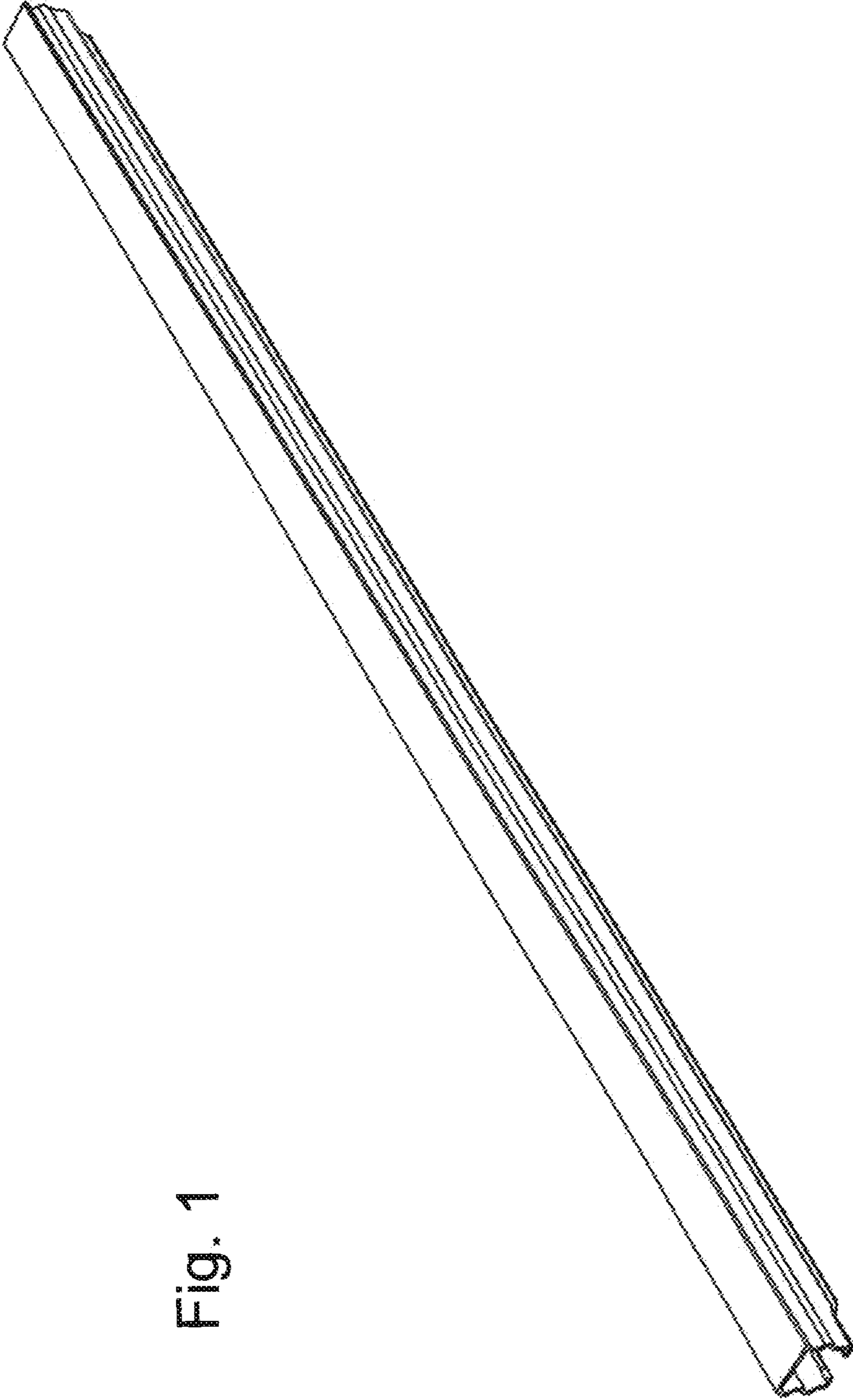


Fig. 1

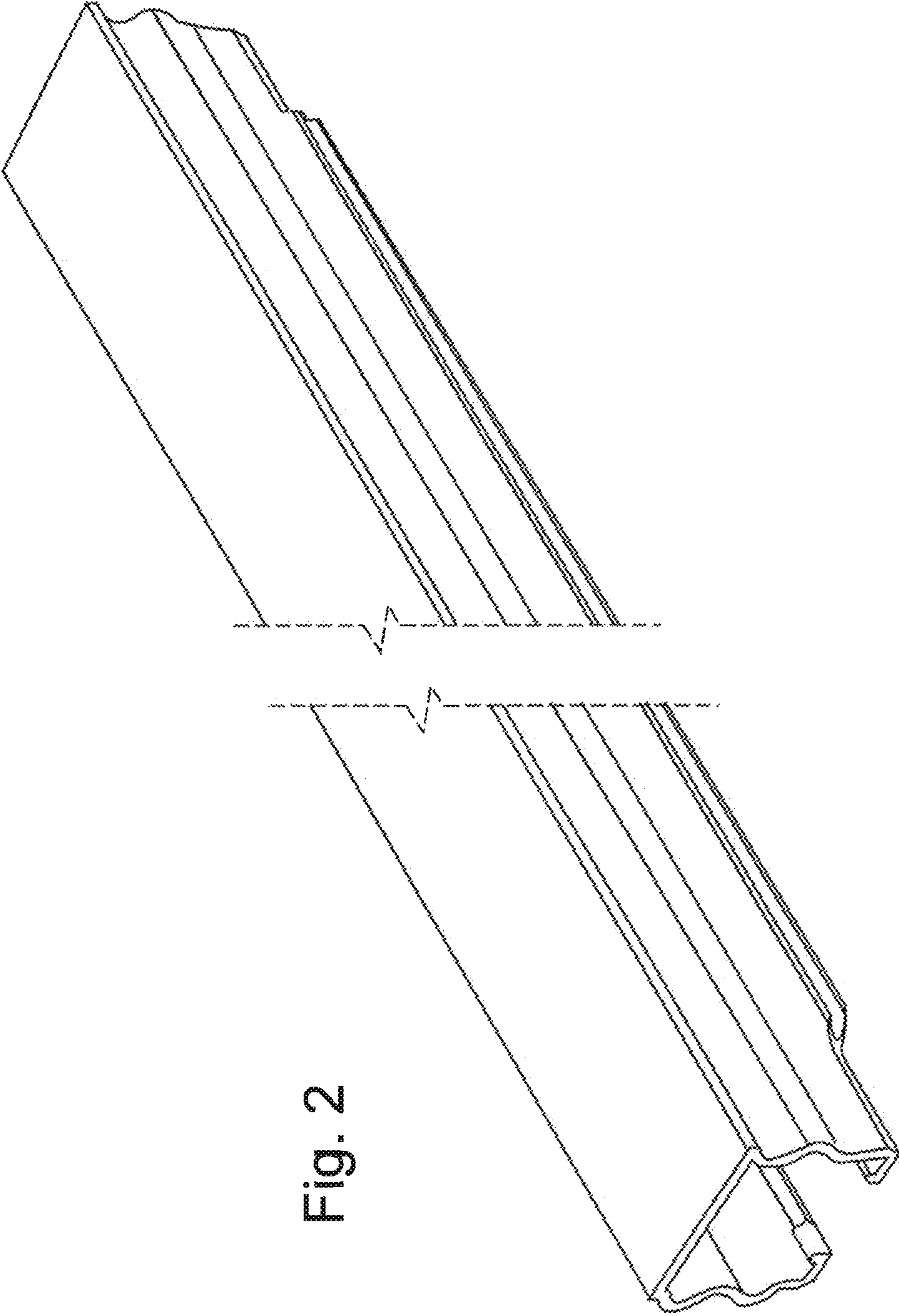


Fig. 2

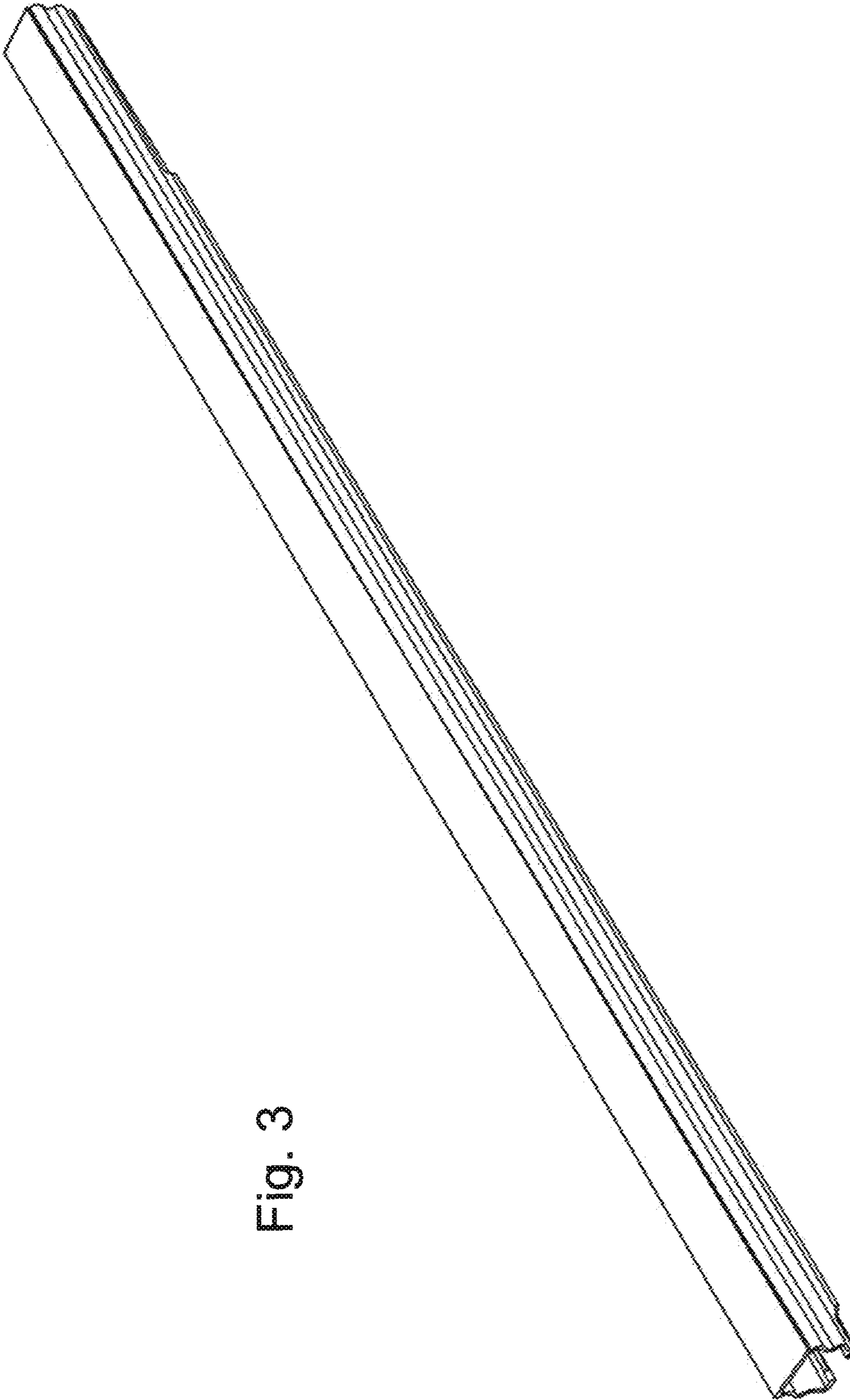


Fig. 3

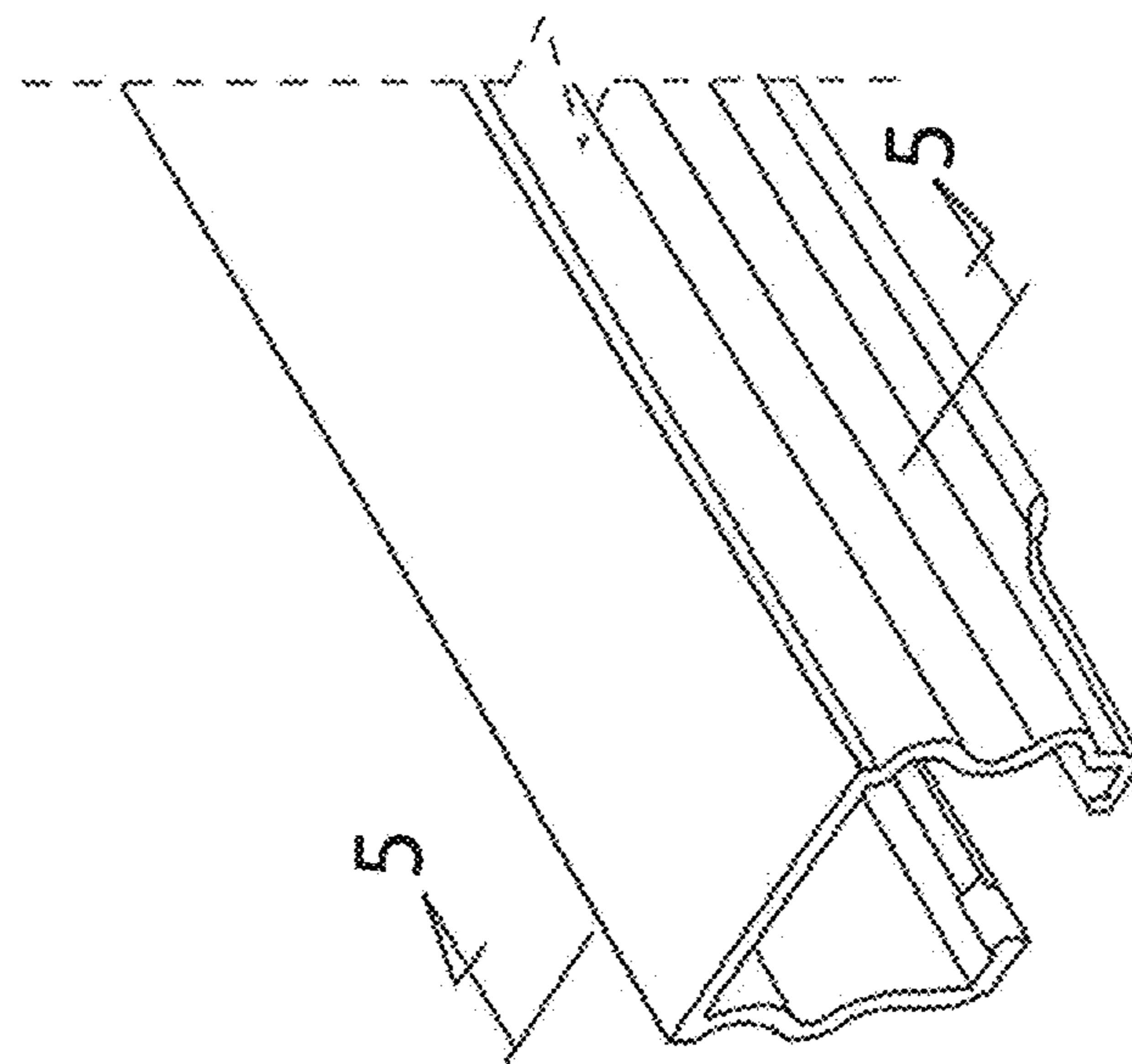
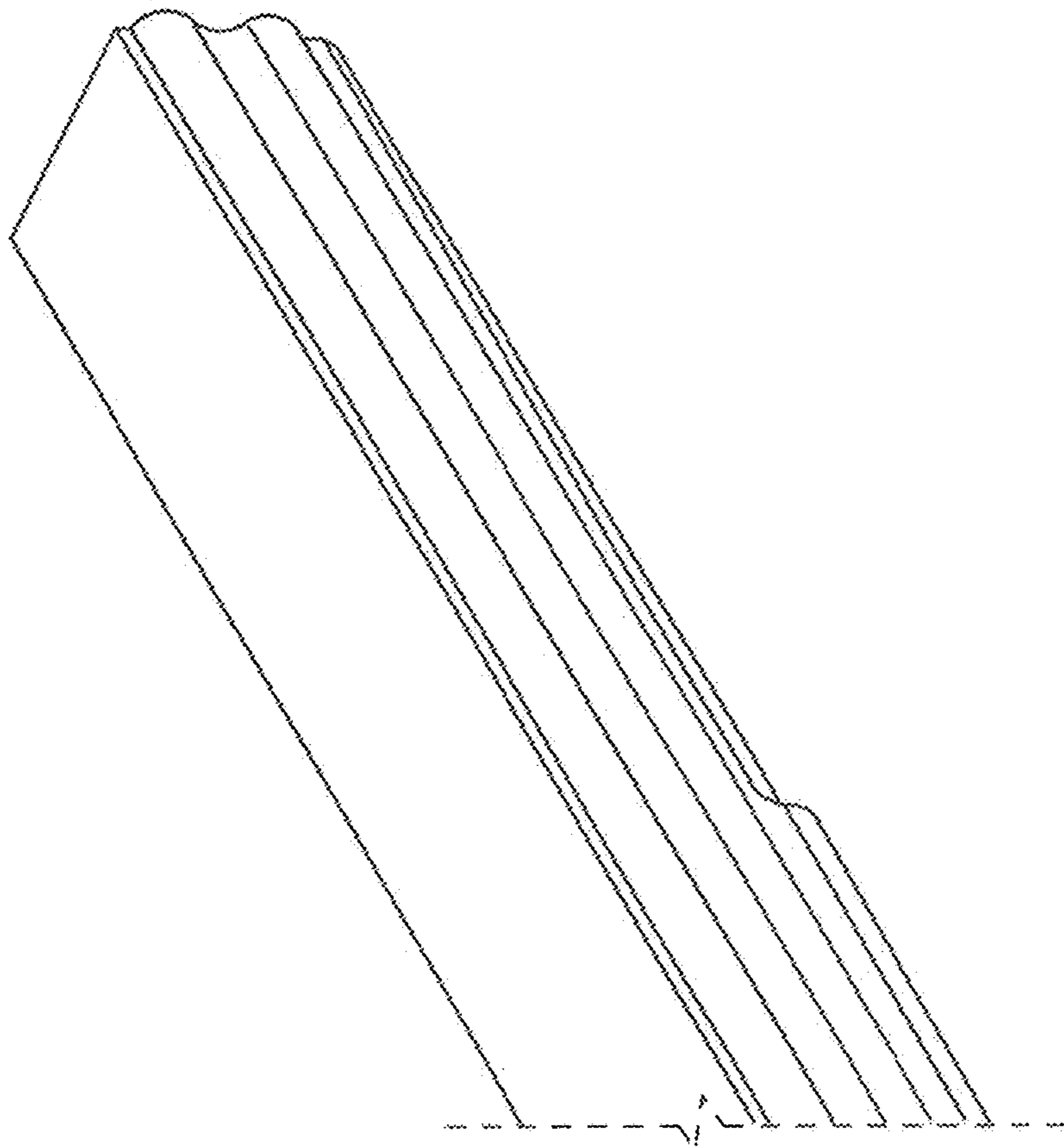


Fig. 4

Fig. 8

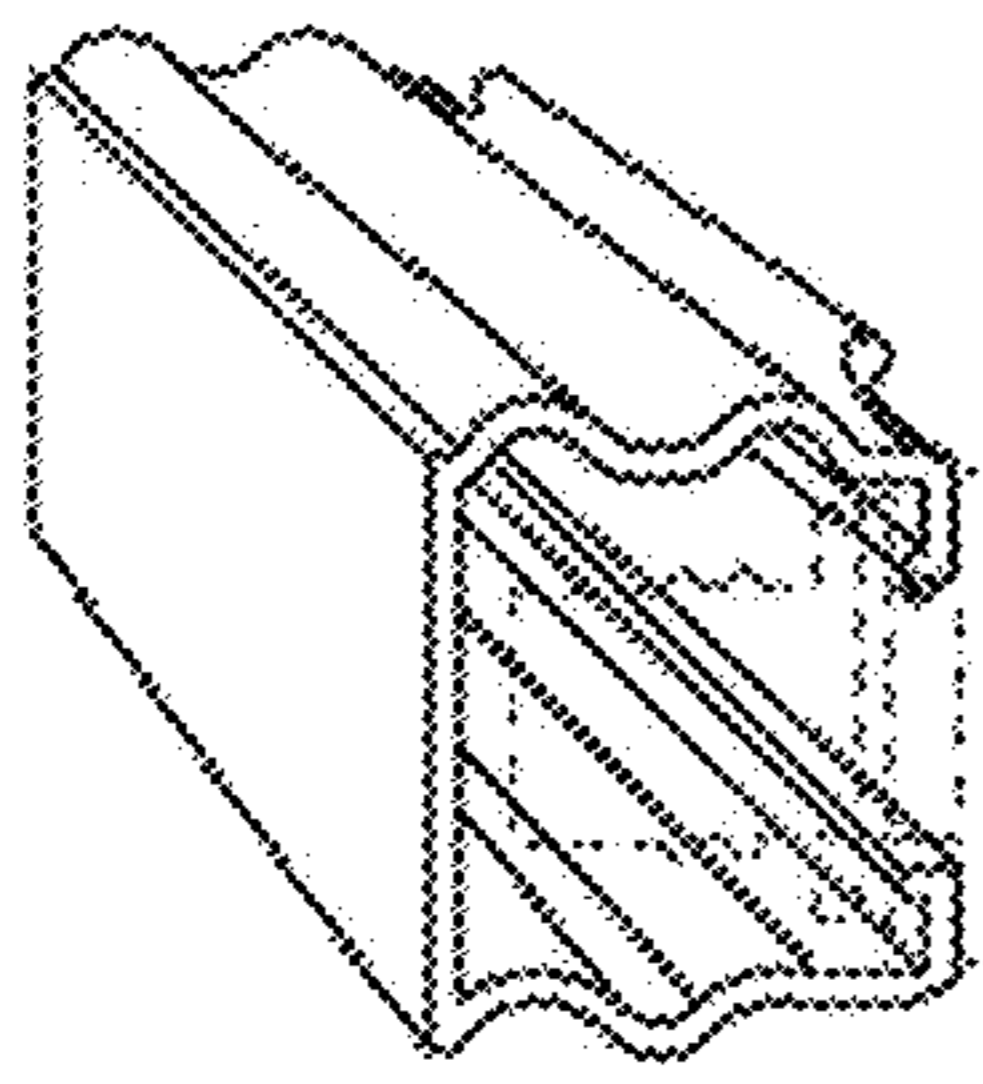


Fig. 7

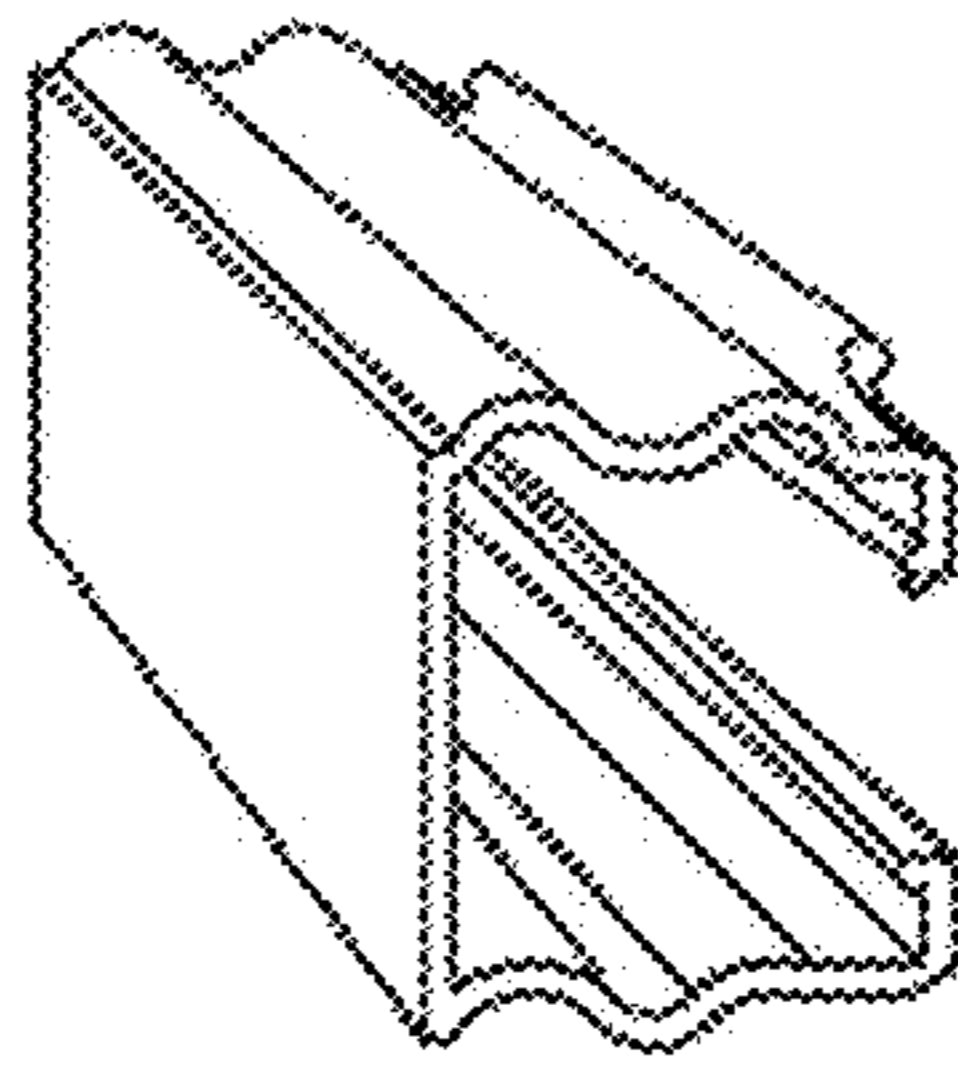


Fig. 6

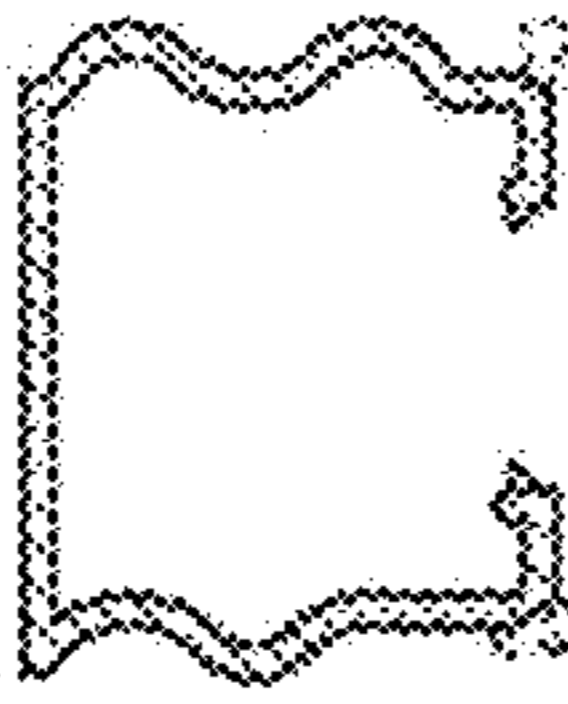


Fig. 5

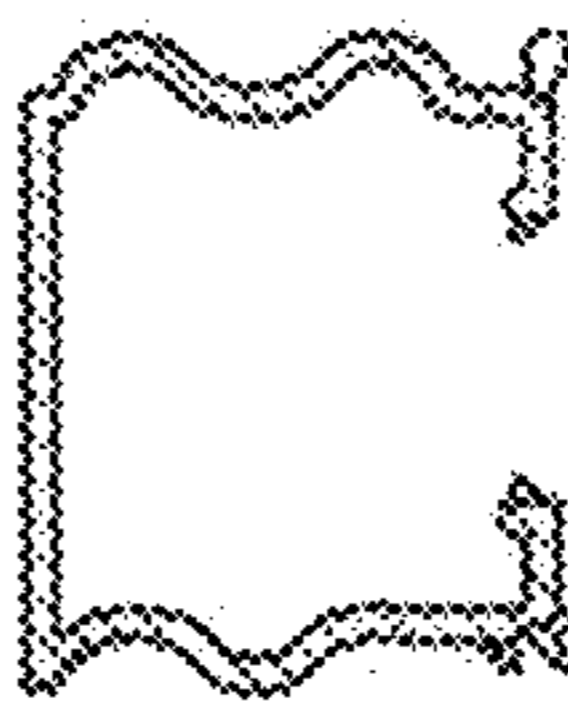


Fig. 9

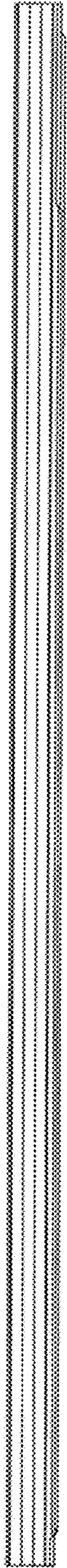


Fig. 10

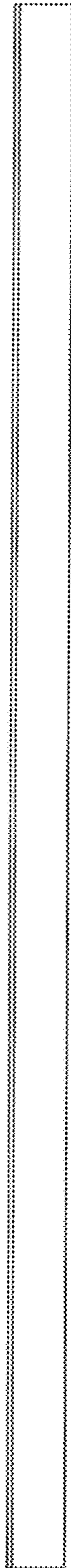


Fig. 11

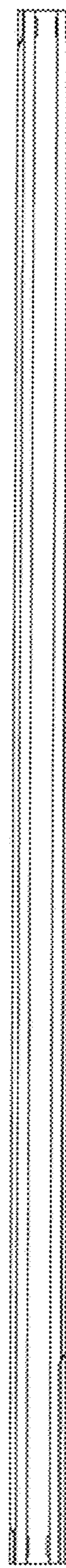


Fig. 12

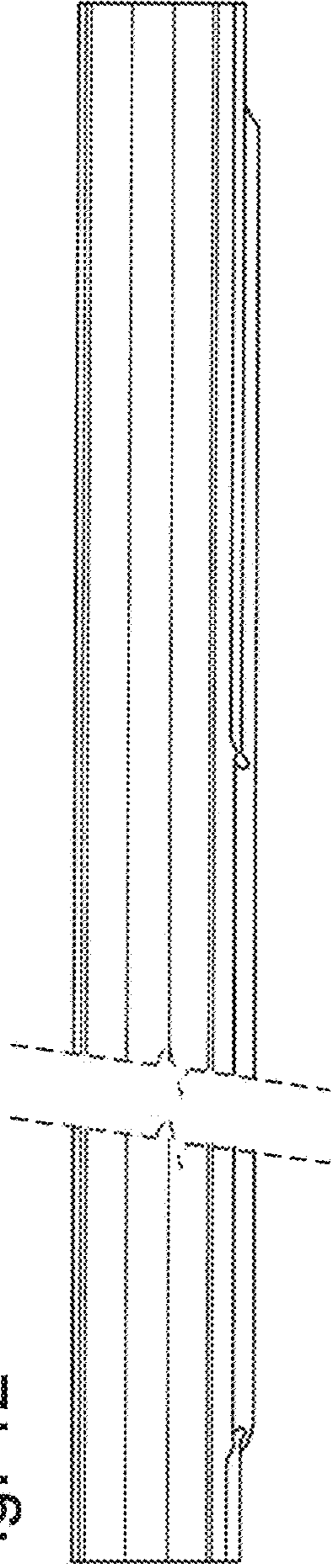


Fig. 13

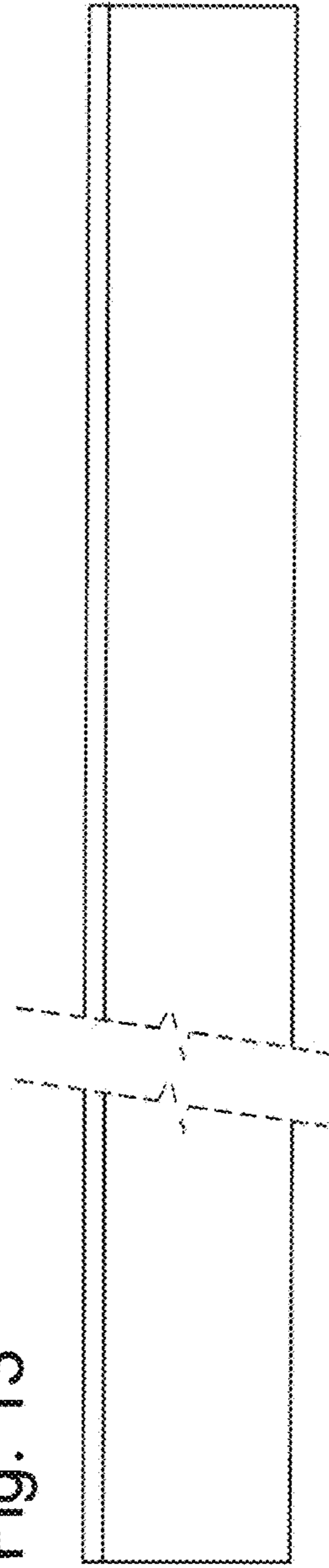


Fig. 14

