



US00D777813S

(12) **United States Design Patent**
Ketterle et al.

(10) **Patent No.:** **US D777,813 S**

(45) **Date of Patent:** **** Jan. 31, 2017**

(54) **CONNECTING BOX FOR A CONTROL UNIT**

(71) Applicants: **Peer Ketterle**, Hamm (DE); **Vincent Delatour**, Gütersloh (DE); **Thomas Kasper**, Oelde (DE); **Thomas Schimmelpfennig**, Ennigerloh (DE); **Jürgen Schulte**, Oelde (DE)

(72) Inventors: **Peer Ketterle**, Hamm (DE); **Vincent Delatour**, Gütersloh (DE); **Thomas Kasper**, Oelde (DE); **Thomas Schimmelpfennig**, Ennigerloh (DE); **Jürgen Schulte**, Oelde (DE)

(**) Term: **14 Years**

(21) Appl. No.: **29/464,349**

(22) Filed: **Aug. 15, 2013**

(51) **LOC (10) Cl.** **15-09**

(52) **U.S. Cl.**
USPC **D15/145**

(58) **Field of Classification Search**
USPC D13/146, 152; D14/88; D15/145, 146
See application file for complete search history.

(56) **References Cited**

U.S. PATENT DOCUMENTS

- 4,178,062 A * 12/1979 Abbo H01R 13/514
439/172
- D305,531 S * 1/1990 Suzuki D13/126
- 4,914,261 A * 4/1990 Tokumaru G02B 6/4445
174/657
- D365,327 S * 12/1995 Reed D13/147
- 6,215,067 B1 * 4/2001 Chen H02G 3/14
174/66

- 6,386,923 B2 * 5/2002 Sugiura H02G 3/16
439/680
- D476,306 S * 6/2003 Abe D14/188
- 7,053,298 B2 * 5/2006 Ikeda B60R 16/0238
174/50
- 7,134,883 B2 * 11/2006 Werner H02S 40/34
136/244
- D566,657 S * 4/2008 Shen D13/152

(Continued)

Primary Examiner — Patricia Palasik

(74) *Attorney, Agent, or Firm* — Ben Schroeder, PLLC

(57) **CLAIM**

The ornamental design for a connection box for a control unit, as shown and described.

DESCRIPTION

FIG. 1 shows a front elevational view of an embodiment showing a connection box for a control unit.

FIG. 2 shows a perspective front view of an embodiment of the connection box for a control unit.

FIG. 3 shows a perspective rear view of an embodiment of the connection box for a control unit.

FIG. 4 shows a perspective left rear side view of an embodiment of the connection box for a control unit.

FIG. 5 shows a perspective right rear side view of an embodiment of the connection box for a control unit.

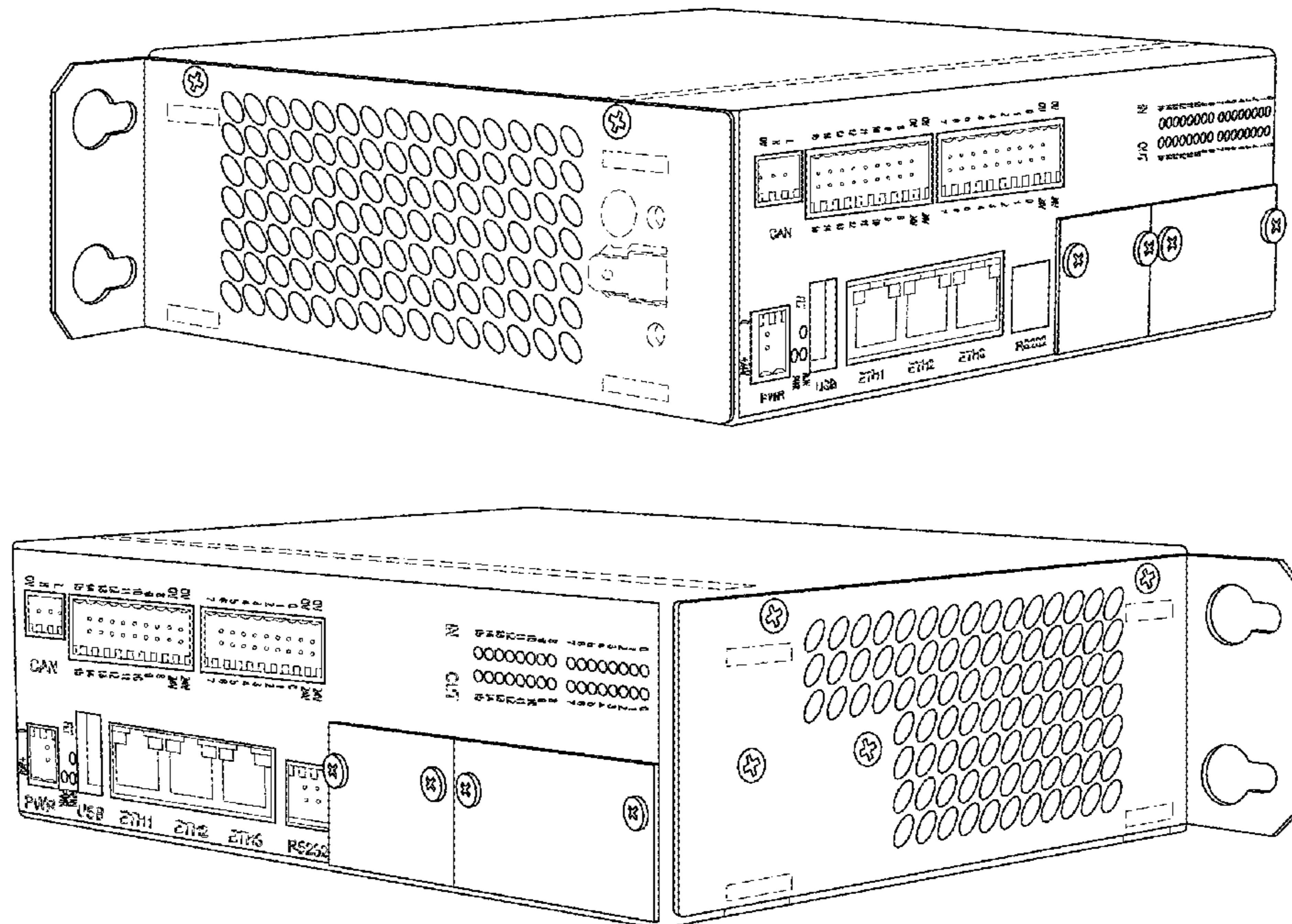
FIG. 6 shows a perspective left side view of an embodiment of the connection box for a control unit.

FIG. 7 shows a perspective right side view of an embodiment of the connection box for a control unit.

FIG. 8 shows a perspective top side view of an embodiment of the connection box for a control unit; and,

FIG. 9 shows a perspective bottom side view of an embodiment of the connection box for a control unit.

1 Claim, 9 Drawing Sheets



(56)

References Cited

U.S. PATENT DOCUMENTS

7,762,415 B2 * 7/2010 Matsui H02G 3/088
174/58
D623,592 S * 9/2010 Huang D13/110
D630,591 S * 1/2011 Garcia De Vicuna D13/152
D631,436 S * 1/2011 Huang D13/110
8,040,678 B2 * 10/2011 Tai H02S 40/34
136/251
D676,814 S * 2/2013 Paul D13/152
D728,477 S * 5/2015 Meyer D13/107
D730,295 S * 5/2015 Kim D13/147
D735,677 S * 8/2015 Hagarty D13/152

* cited by examiner

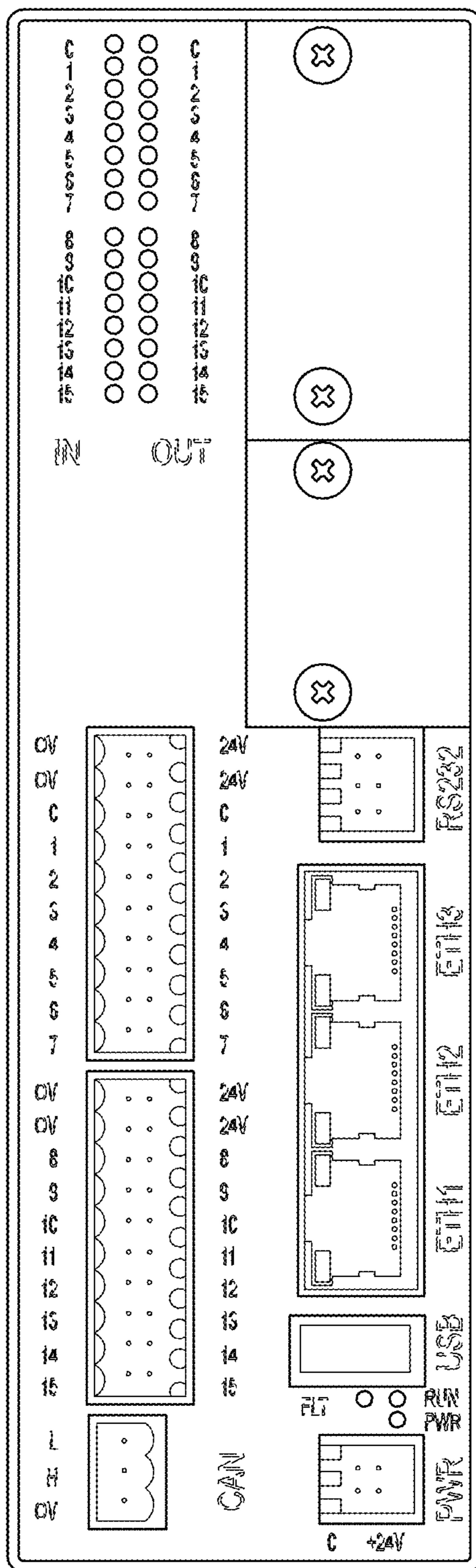


FIG.1

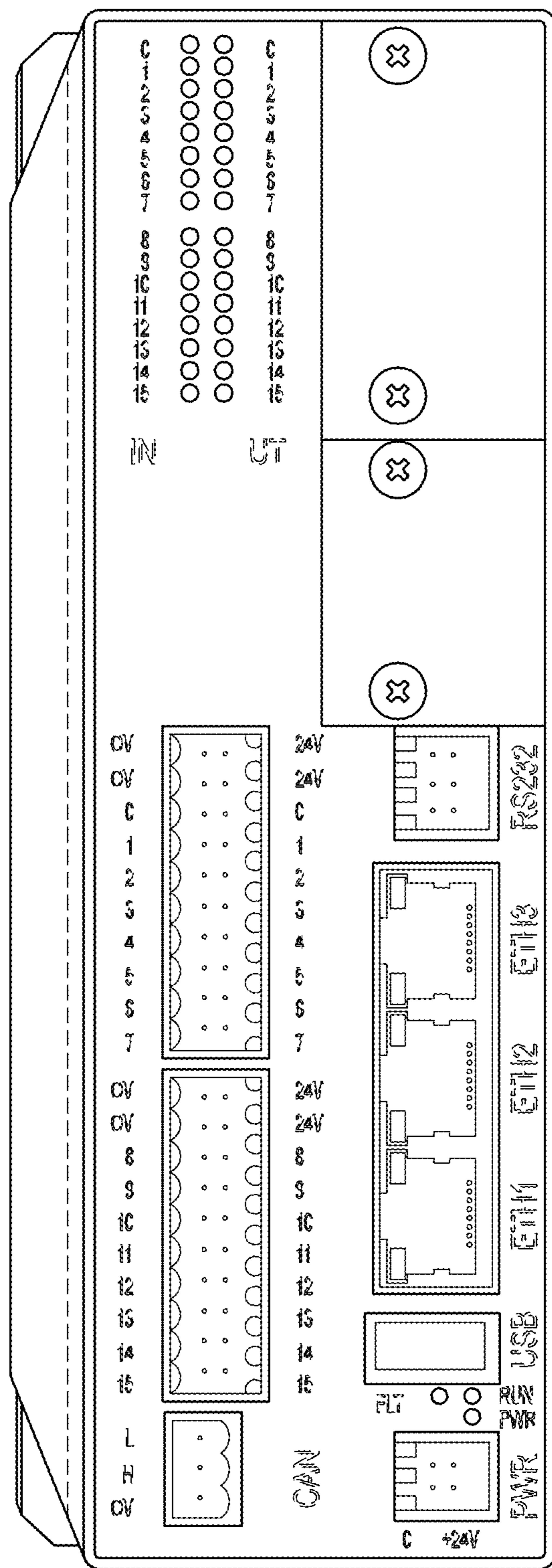


FIG. 2

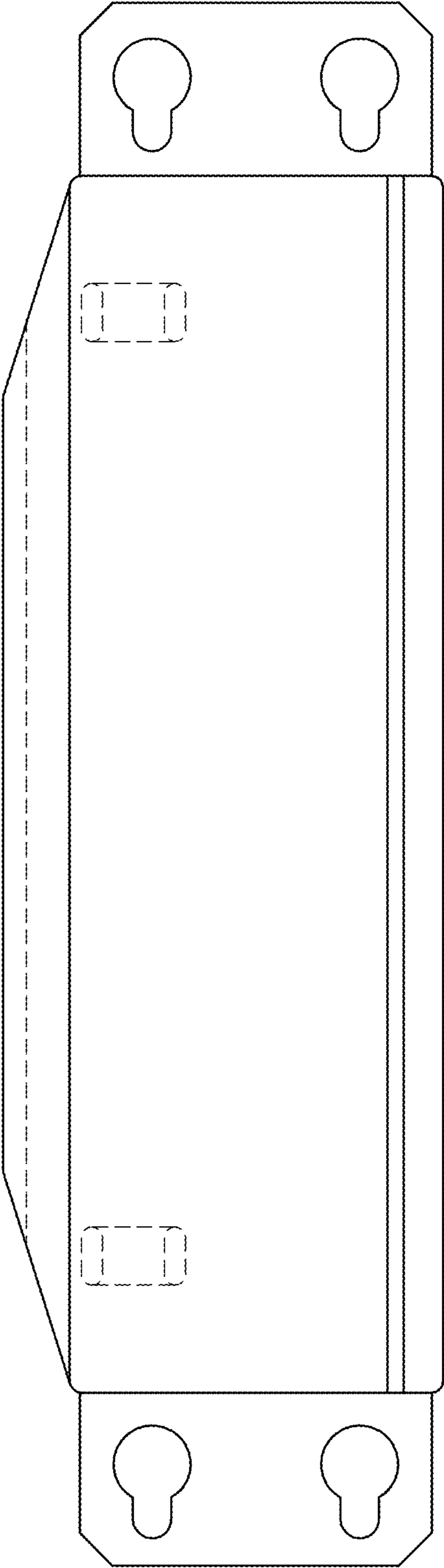


FIG.3

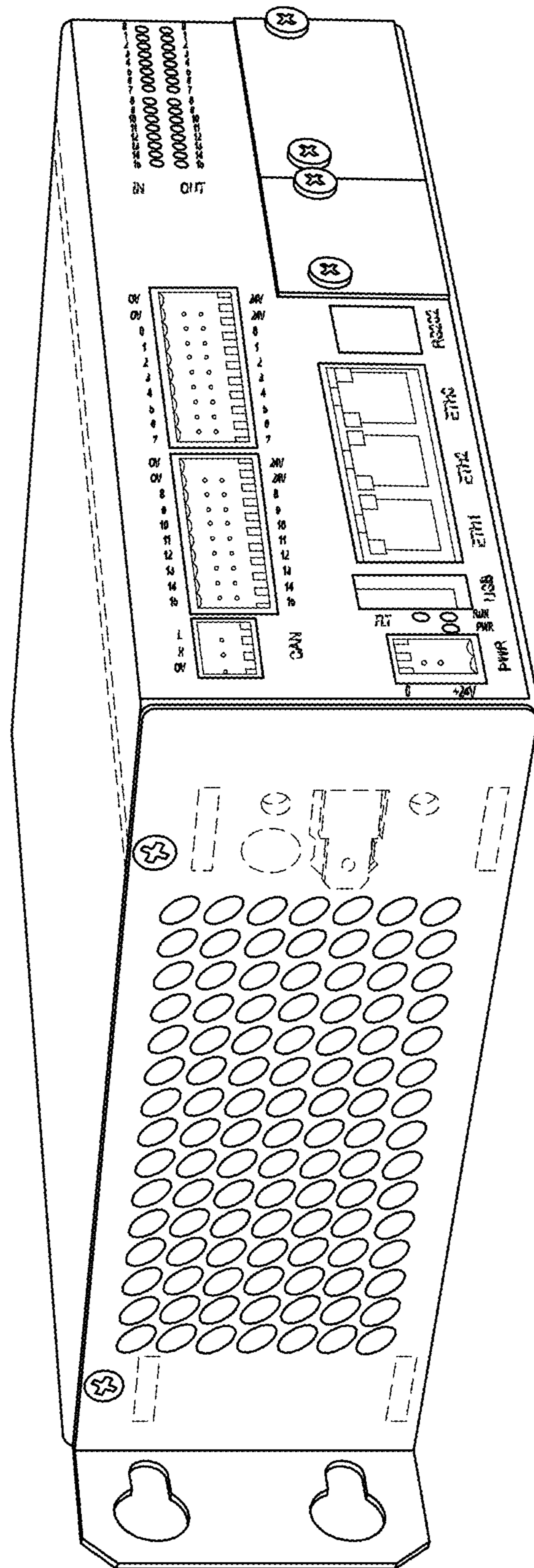


FIG.4

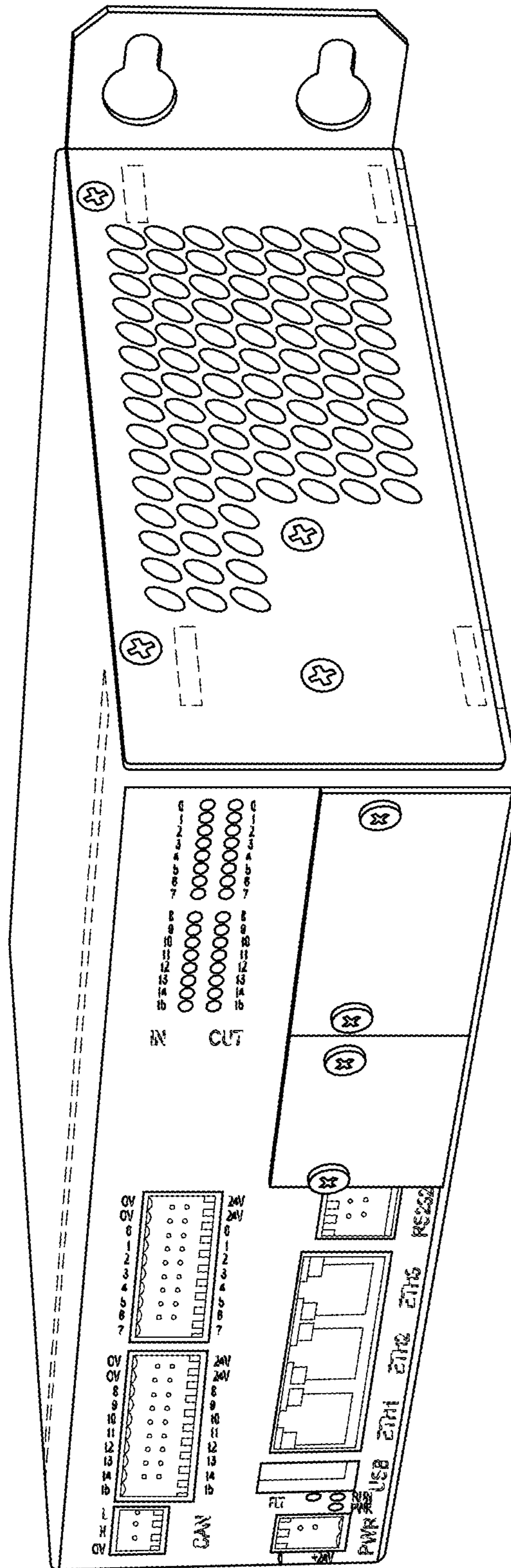


FIG.5

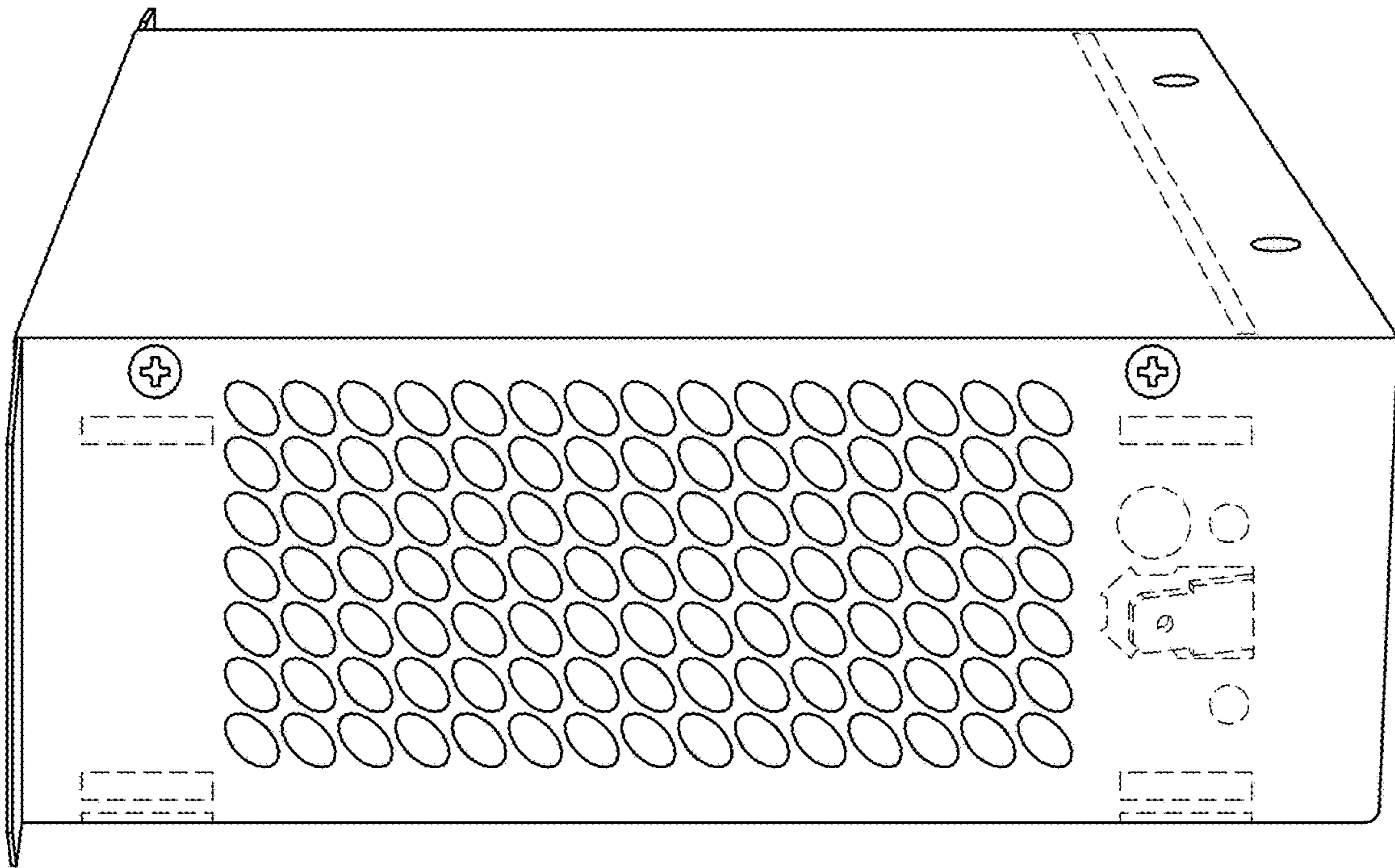


FIG.6

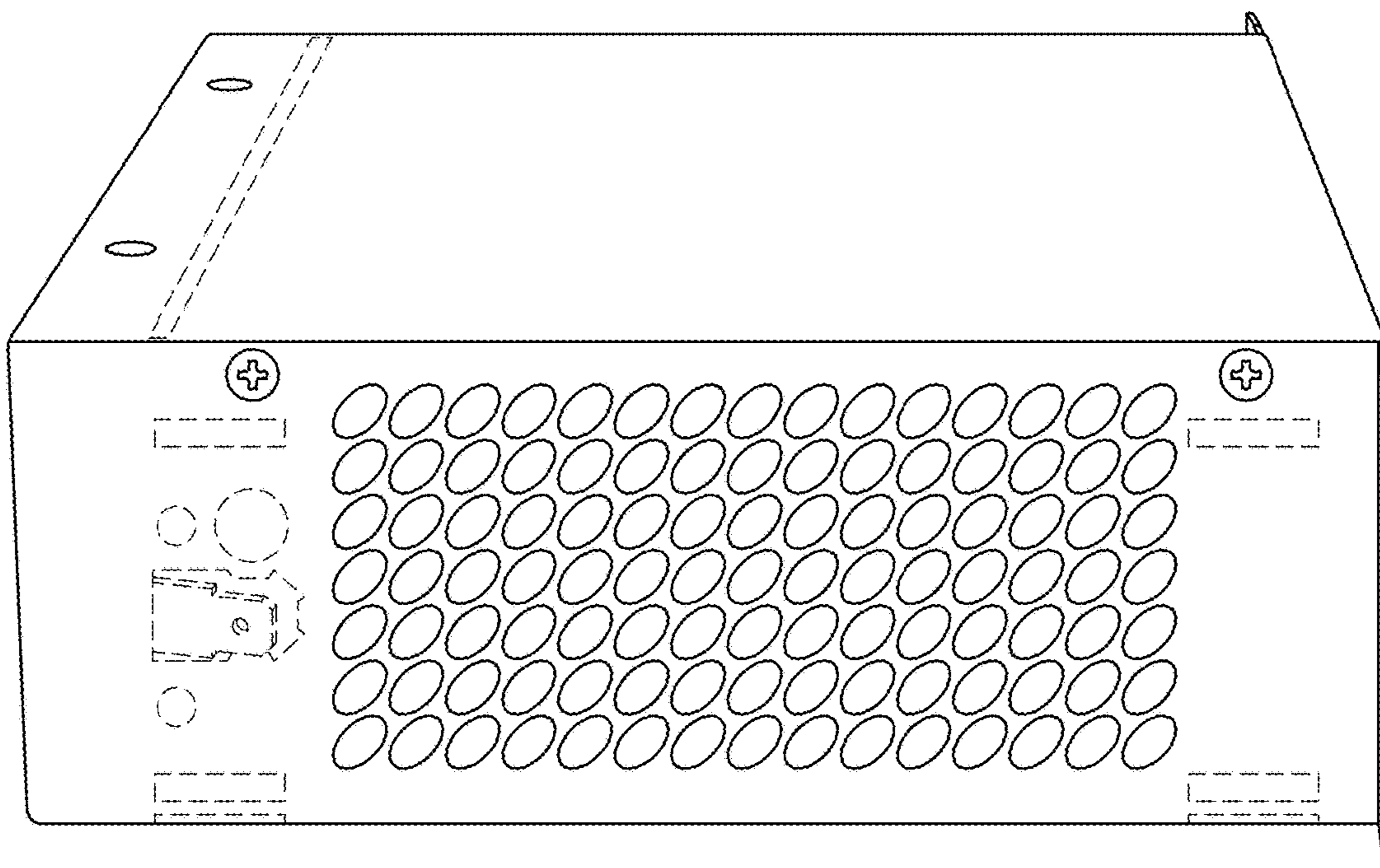


FIG.7

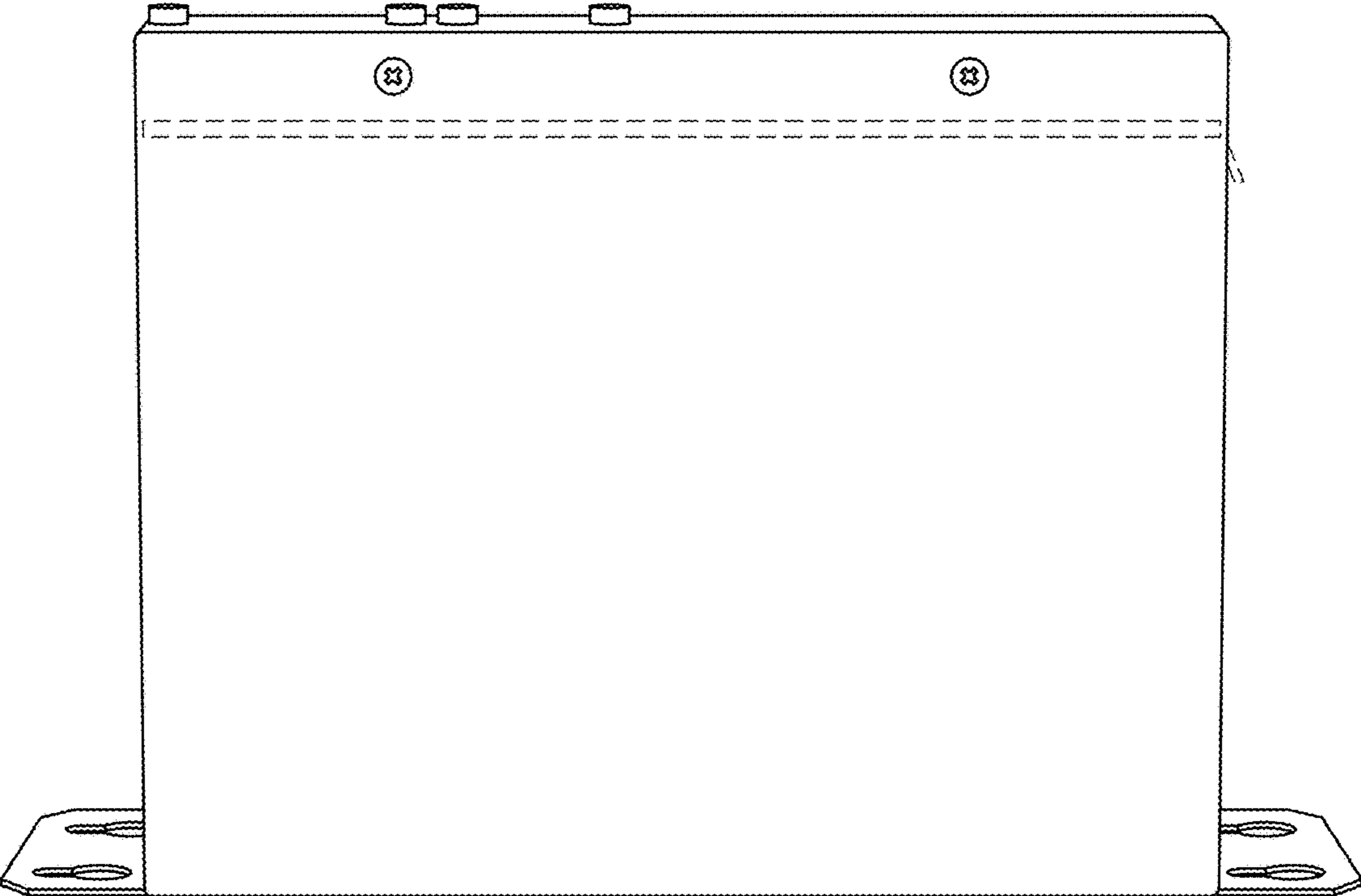


FIG.8

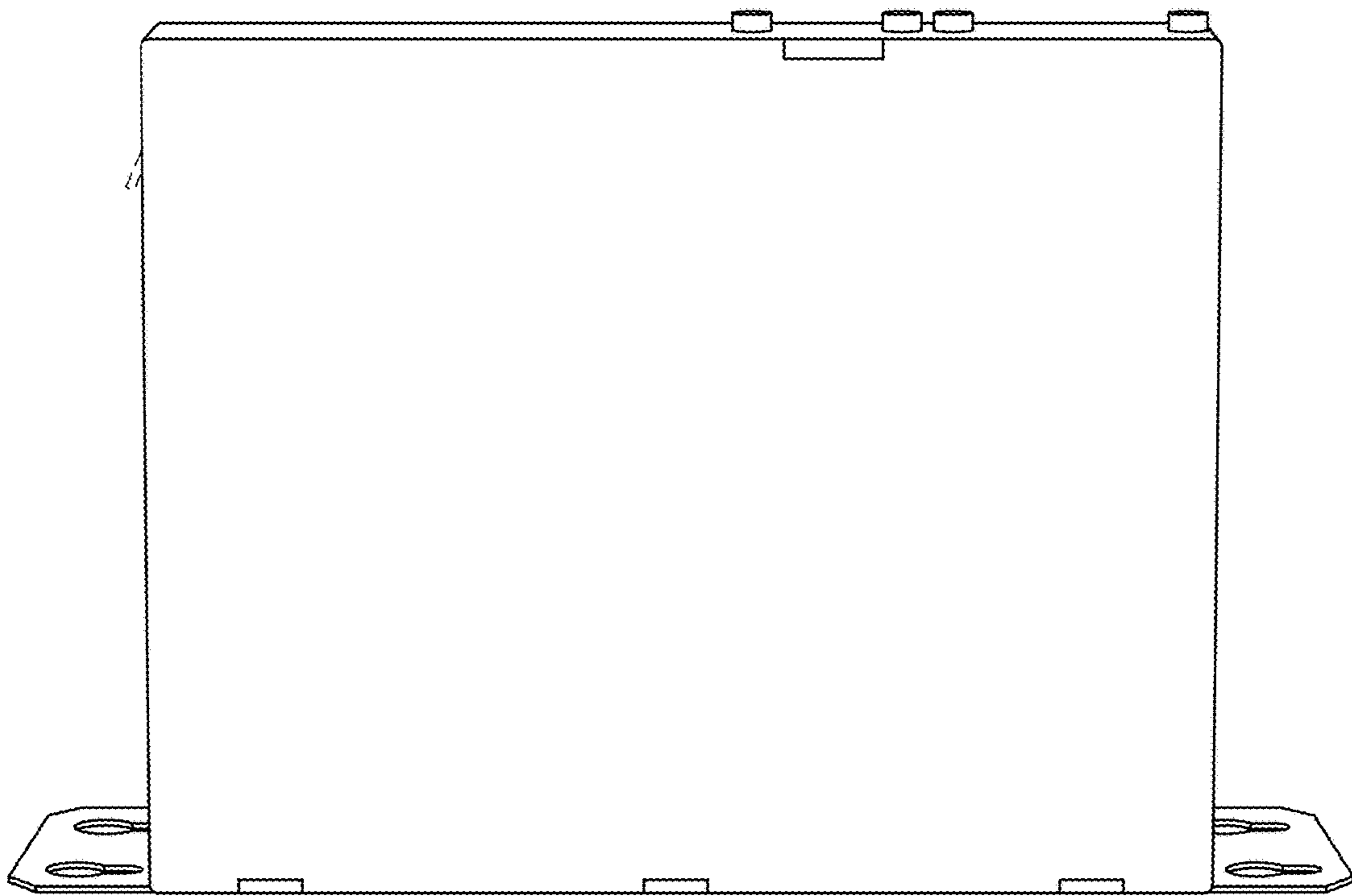


FIG.9