



US00D777811S

(12) **United States Design Patent**
Winiger

(10) **Patent No.:** **US D777,811 S**

(45) **Date of Patent:** **** Jan. 31, 2017**

(54) **PIPE MILLING MACHINE**

(71) Applicant: **Gerhard Winiger**, Wald (CH)

(72) Inventor: **Gerhard Winiger**, Wald (CH)

(**) Term: **14 Years**

(21) Appl. No.: **29/514,773**

(22) Filed: **Jan. 16, 2015**

(51) **LOC (10) Cl.** **15-09**

(52) **U.S. Cl.**
USPC **D15/132**

(58) **Field of Classification Search**
USPC D15/199, 122, 123, 131, 132;
74/490.01-490.06; D10/63; D24/158, 184,
D24/128
CPC B25J 17/00; B25J 9/06; B25J 9/102;
B25J 18/00; B25J 19/0029; B25J 19/0009;
A61B 19/2203; A61B 19/5212; A61B
1/008; A61B 2019/2234; A61B
2019/2242; A61B 2019/2223; A61B
2019/223; A61B 2019/2238; B27J 17/02;
B27J 17/04; B25D 17/06
See application file for complete search history.

5,383,738 A * 1/1995 Herbermann B25J 9/06
248/288.51
D673,592 S * 1/2013 Winiger D15/132
2006/0150706 A1 * 7/2006 Heigl B21D 28/32
72/452.9
2006/0201231 A1 * 9/2006 Borgwarth B21J 7/04
72/448
2010/0000287 A1 * 1/2010 Rusch B21J 7/02
72/450
2012/0286629 A1 * 11/2012 Johnson B25J 9/102
310/68 B
2014/0238095 A1 * 8/2014 Rossbach B21C 37/083
72/52
2014/0332244 A1 * 11/2014 Moore E02F 5/323
173/90

* cited by examiner

Primary Examiner — Susan Bennett Hattan
Assistant Examiner — Brett Miller

(57) **CLAIM**

The ornamental design for a pipe milling machine, as shown and described.

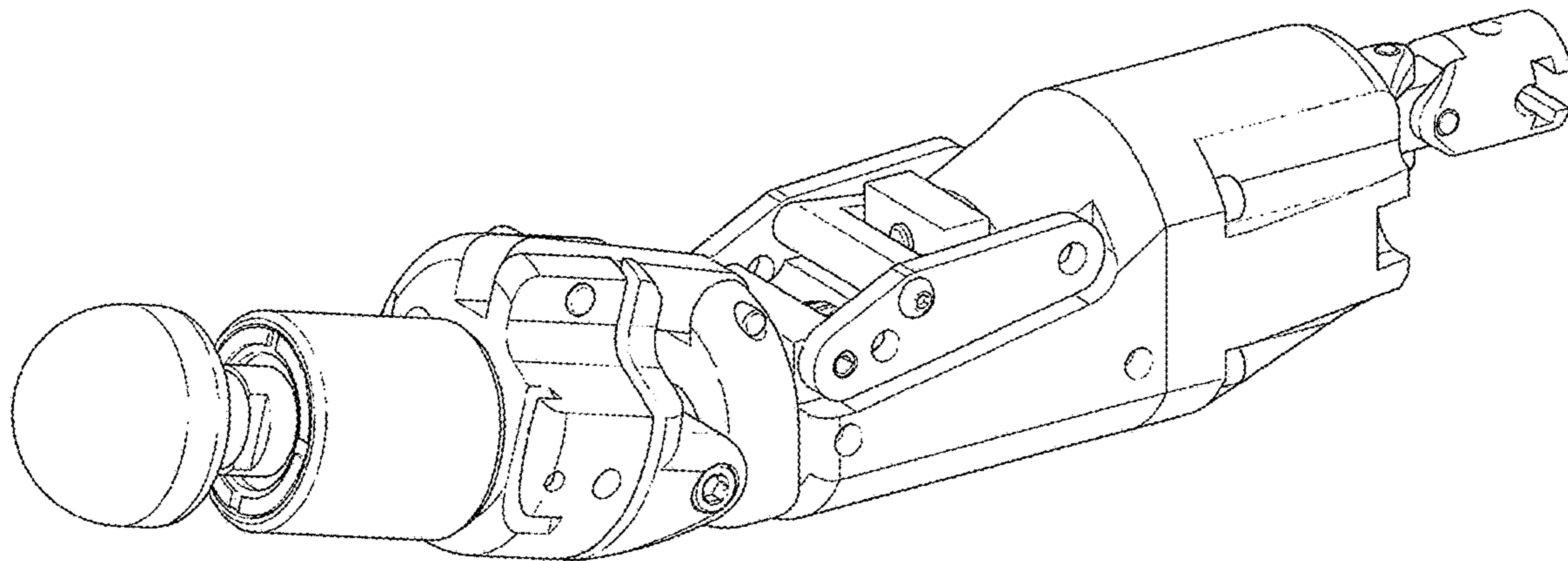
DESCRIPTION

FIG. 1 is a perspective view of a pipe milling machine showing my new design;
FIG. 2 is a rear view thereof;
FIG. 3 is a front view thereof;
FIG. 4 is a bottom view thereof;
FIG. 5 is a top view thereof;
FIG. 6 is a left side view thereof; and,
FIG. 7 is a right side view thereof.
The broken lines depict portions of the pipe milling machine that form no part of the claimed design.

1 Claim, 7 Drawing Sheets

(56) **References Cited**
U.S. PATENT DOCUMENTS

1,835,179 A * 12/1931 Parker B21D 41/025
72/358
D148,827 S * 2/1948 Steven D15/132
4,012,909 A * 3/1977 Hibbard B25D 9/12
60/371
4,290,492 A * 9/1981 Sides B25D 17/06
173/118
4,531,884 A * 7/1985 Russell B25J 5/02
D15/122



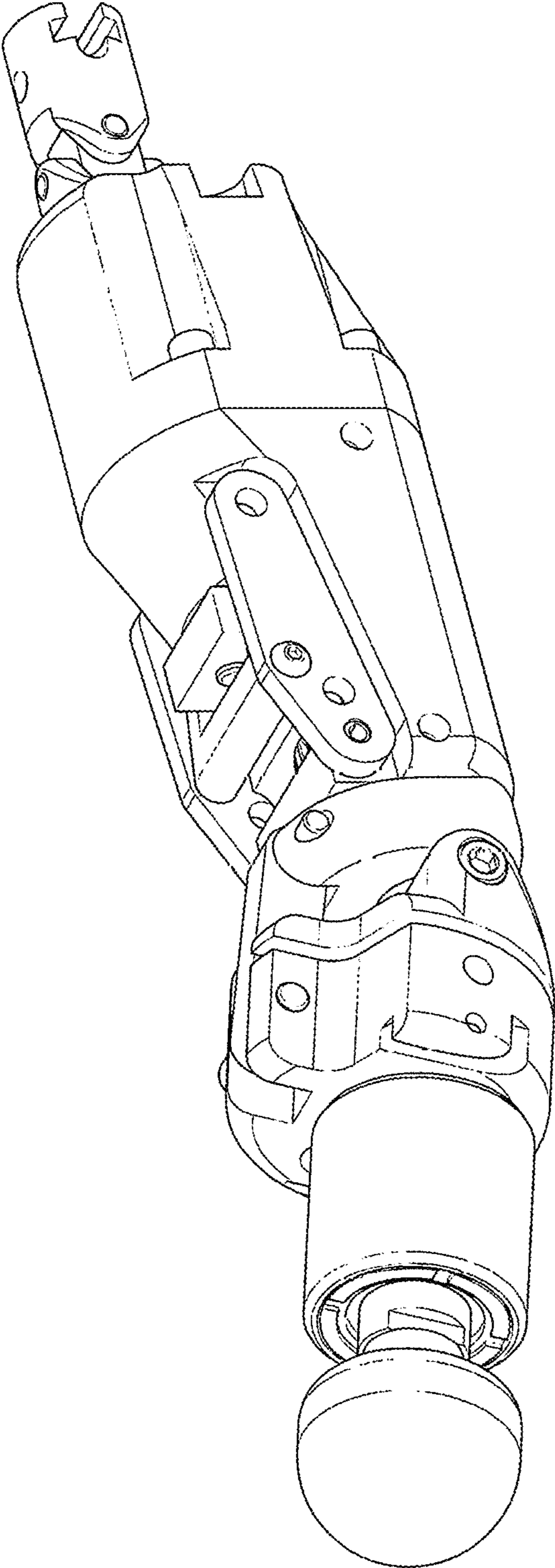


FIG. 1

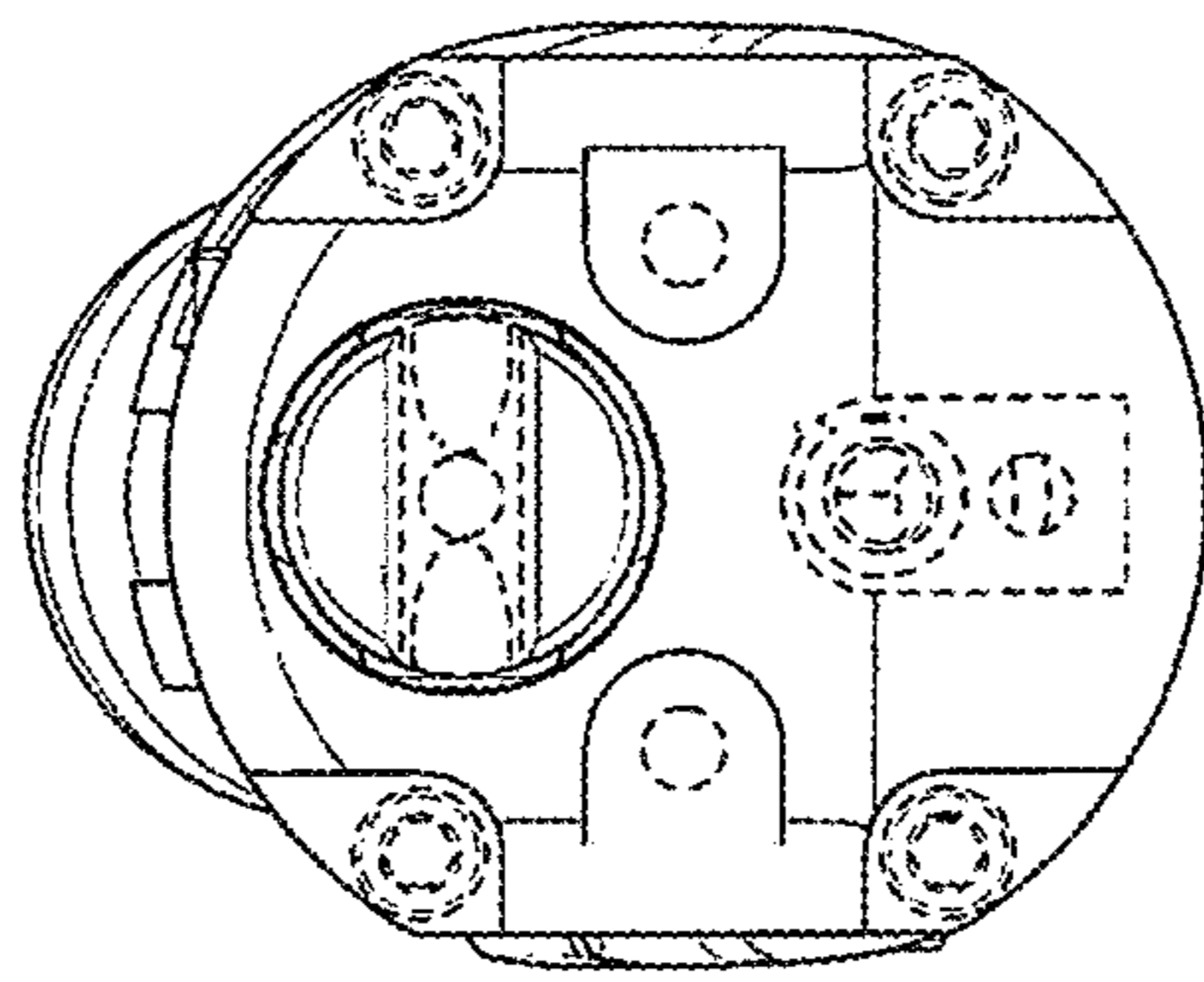


FIG. 2

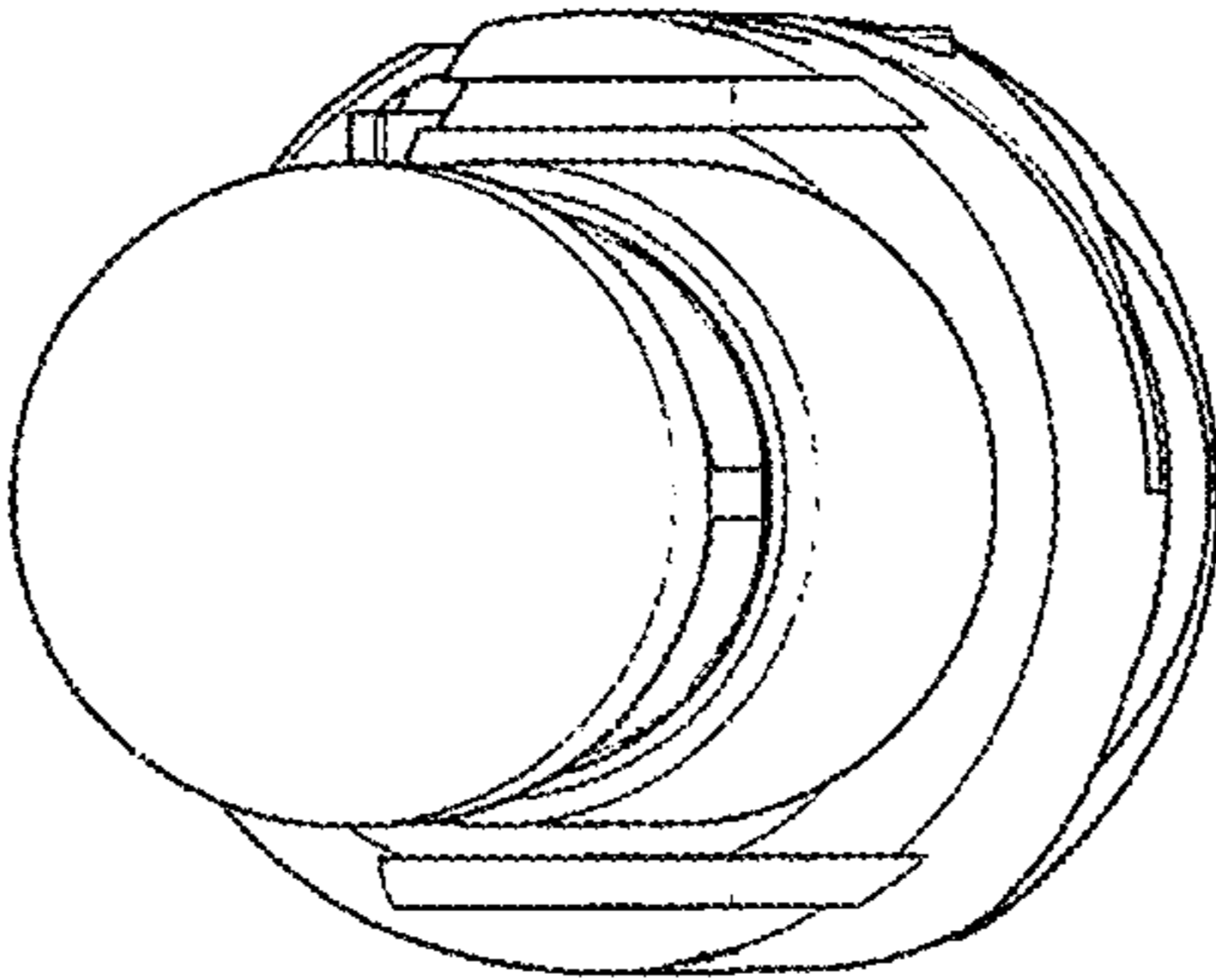


FIG. 3

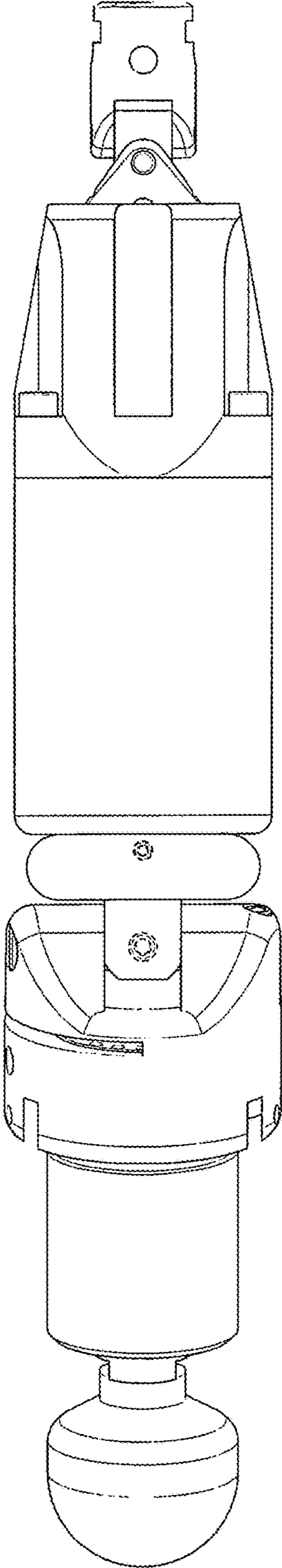


FIG. 4

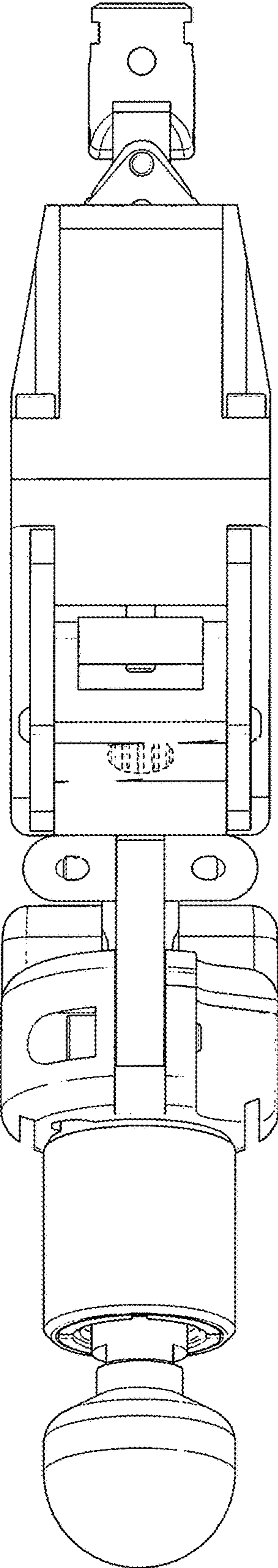


FIG. 5

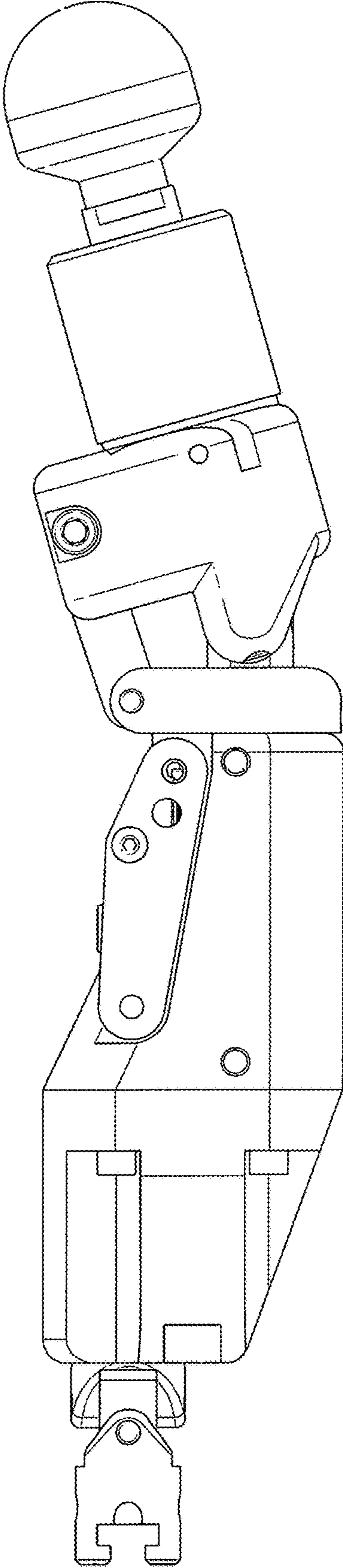


FIG. 6

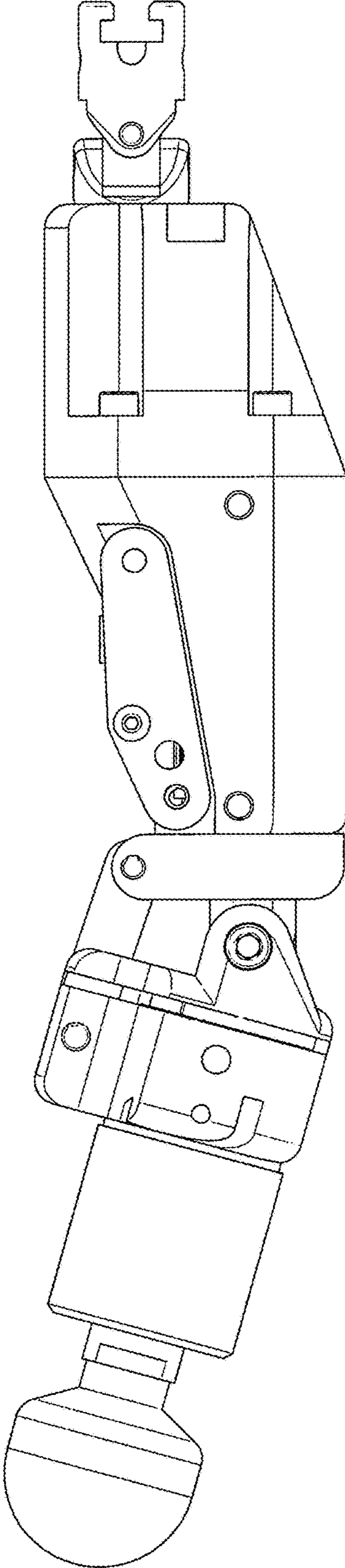


FIG. 7