



US00D777810S

(12) **United States Design Patent**
Kao et al.

(10) **Patent No.:** **US D777,810 S**
(45) **Date of Patent:** **** Jan. 31, 2017**

(54) POST CURE BOX	8,945,456 B2 * 2/2015 Zenere B29C 67/0066 264/401
(71) Applicants: XYZprinting, Inc. , New Taipei (TW); Kinpo Electronics, Inc. , New Taipei (TW); Cal-Comp Electronics & Communications Company Limited , New Taipei (TW)	D736,312 S * 8/2015 Elbaum D18/50 9,174,453 B1 * 11/2015 Dodd B41J 2/17506 D758,025 S * 5/2016 Ma D30/199 D762,750 S * 8/2016 Jiang D15/122 D763,330 S * 8/2016 Olive D15/122 D768,214 S * 10/2016 Cho D15/122

(72) Inventors: **Chieh Kao**, New Taipei (TW);
Wen-Chun Chung, New Taipei (TW);
Chun-An Hsu, New Taipei (TW)

* cited by examiner

Primary Examiner — Patricia Palasik

(73) Assignees: **XYZprinting, Inc.**, New Taipei (TW);
Kinpo Electronics, Inc., New Taipei
(TW); **Cal-Comp Electronics &**
Communications Company Limited,
New Taipei (TW)

(74) *Attorney, Agent, or Firm* — Jianq Chyun IP Office

(**) Term: **15 Years**

(57) **CLAIM**

The ornamental design for a post cure box, as shown and described.

(21) Appl. No.: **29/550,494**

DESCRIPTION

(22) Filed: **Jan. 5, 2016**

(51) **LOC (10) Cl.** **15-09**

(52) **U.S. Cl.**
USPC **D15/122; D15/135**

(58) **Field of Classification Search**
USPC D15/122, 135, 138, 145, 146; D18/6-7,
D18/14, 19, 50, 54, 54.1, 55, 59
See application file for complete search history.

FIG. 1 is a perspective view of a post cure box showing our new design;
FIG. 2 is a front view thereof;
FIG. 3 is a rear view thereof;
FIG. 4 is a left side view thereof;
FIG. 5 is a right side view thereof;
FIG. 6 is a top view thereof;
FIG. 7 is a bottom view thereof; and,
FIG. 8 is an another perspective view thereof with the door opened.

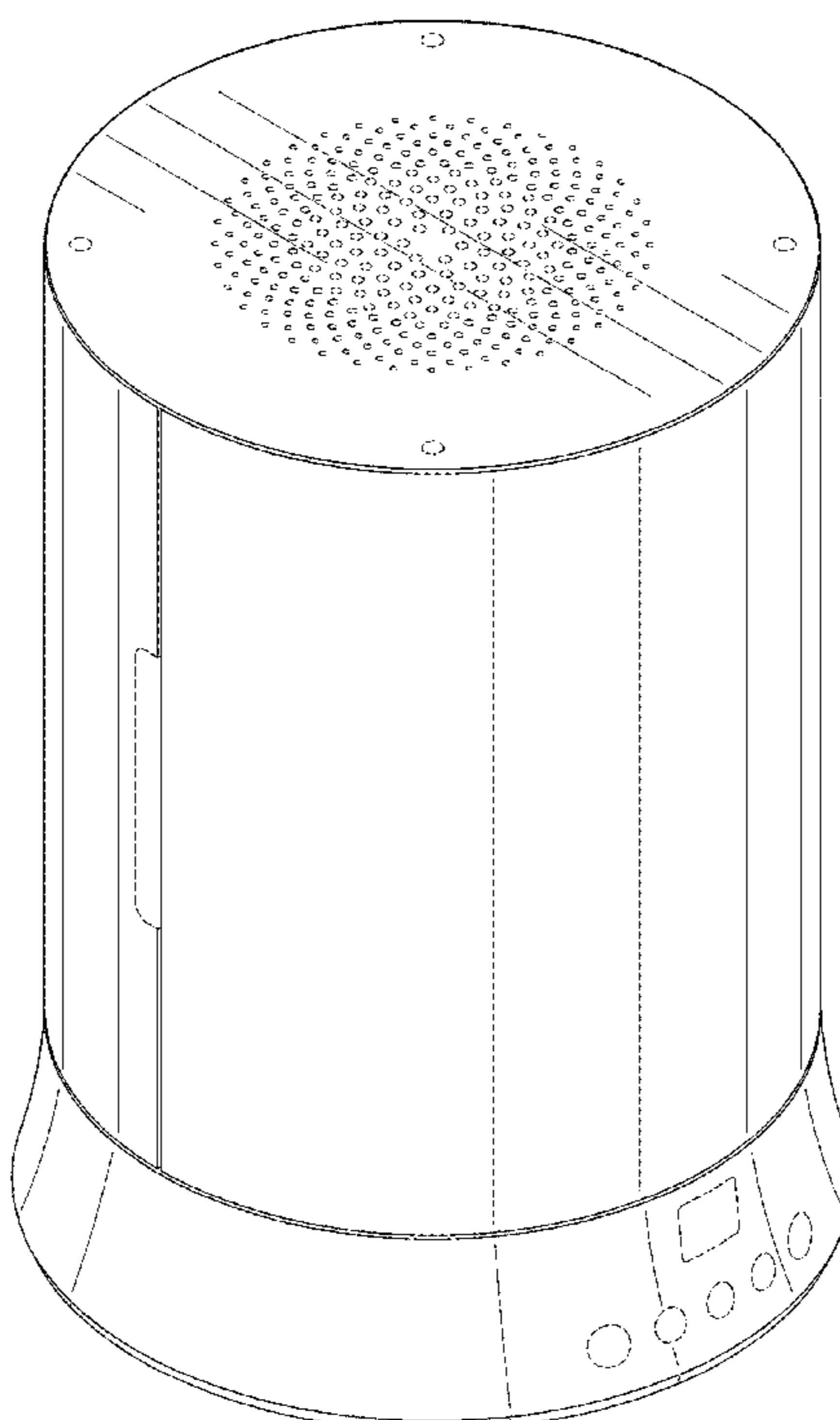
The broken line showing of portions of the 3D printer depicts unclaimed environmental subject matter.

(56) **References Cited**

U.S. PATENT DOCUMENTS

D206,094 S * 10/1966 Hill D15/122
4,465,111 A * 8/1984 Nalbach B65B 1/22
141/165

1 Claim, 8 Drawing Sheets



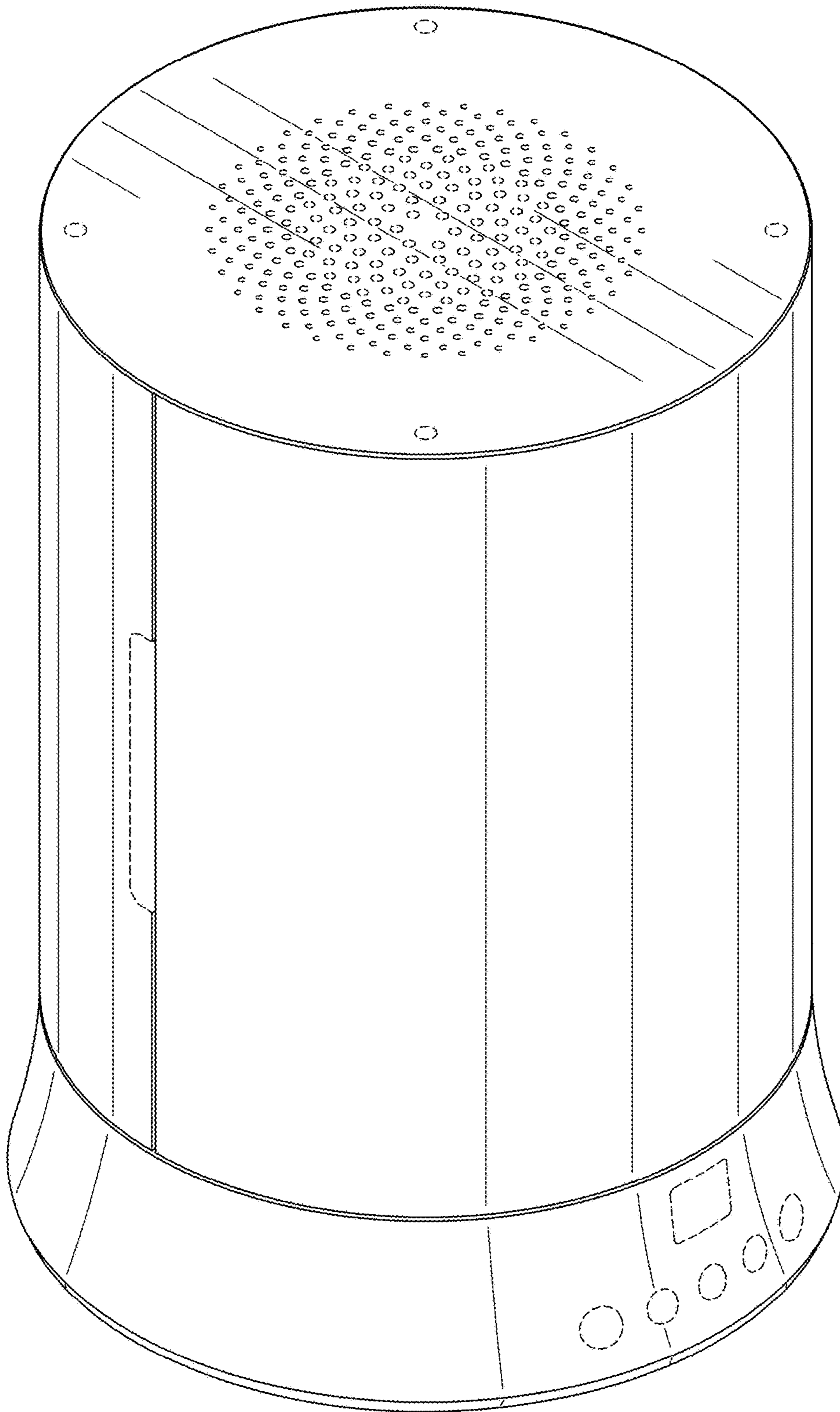


FIG. 1

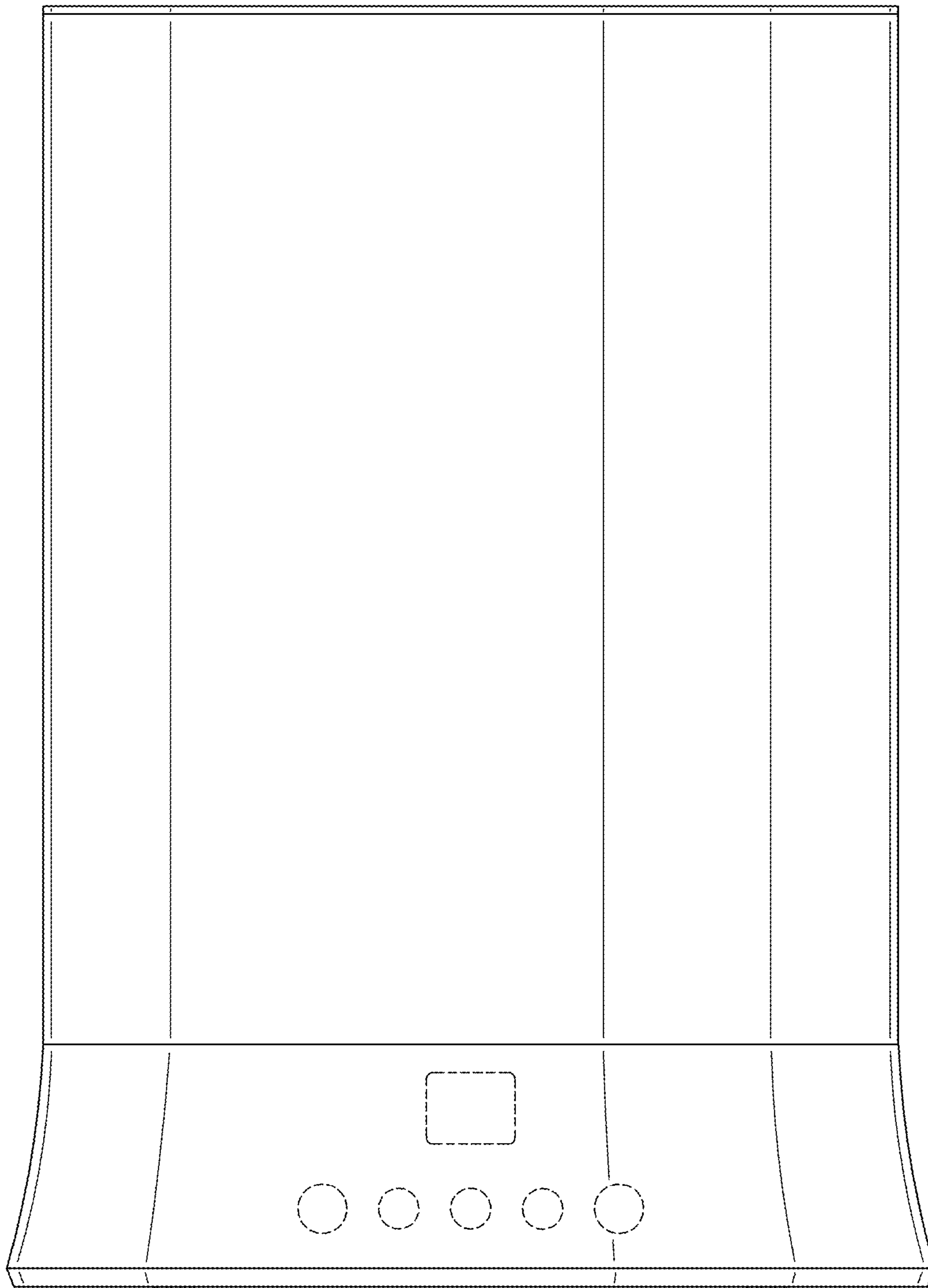


FIG. 2

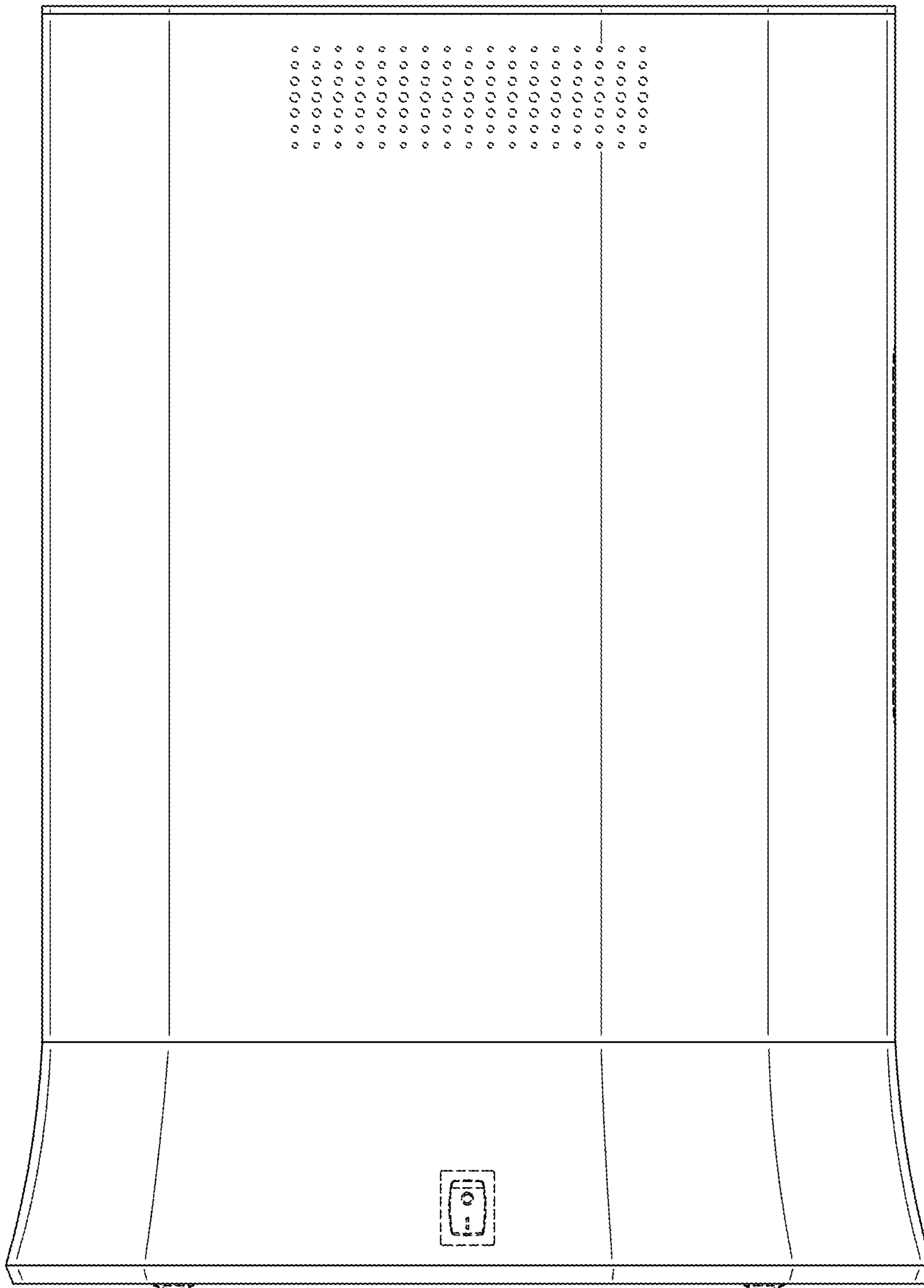


FIG. 3

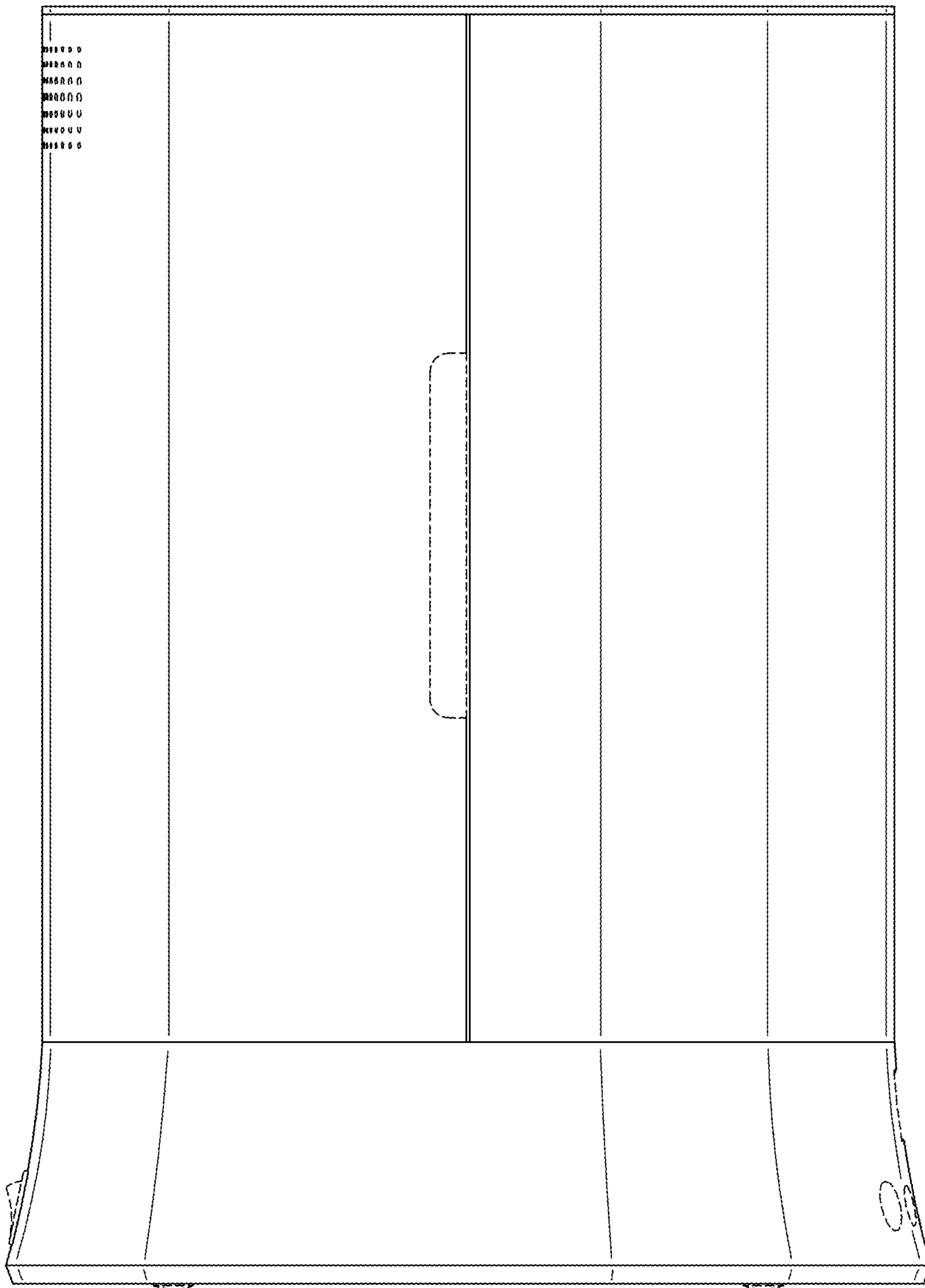


FIG. 4

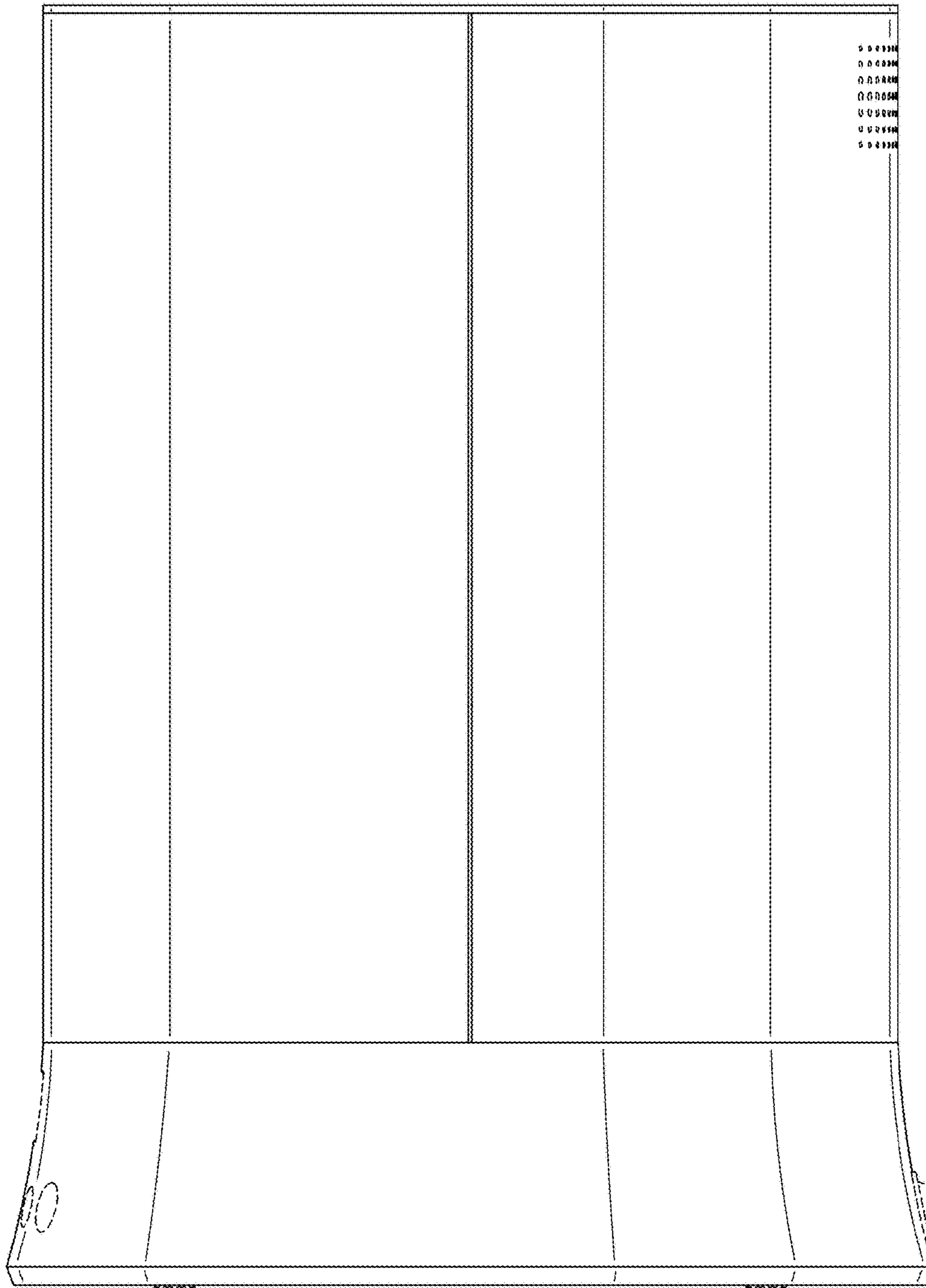


FIG. 5

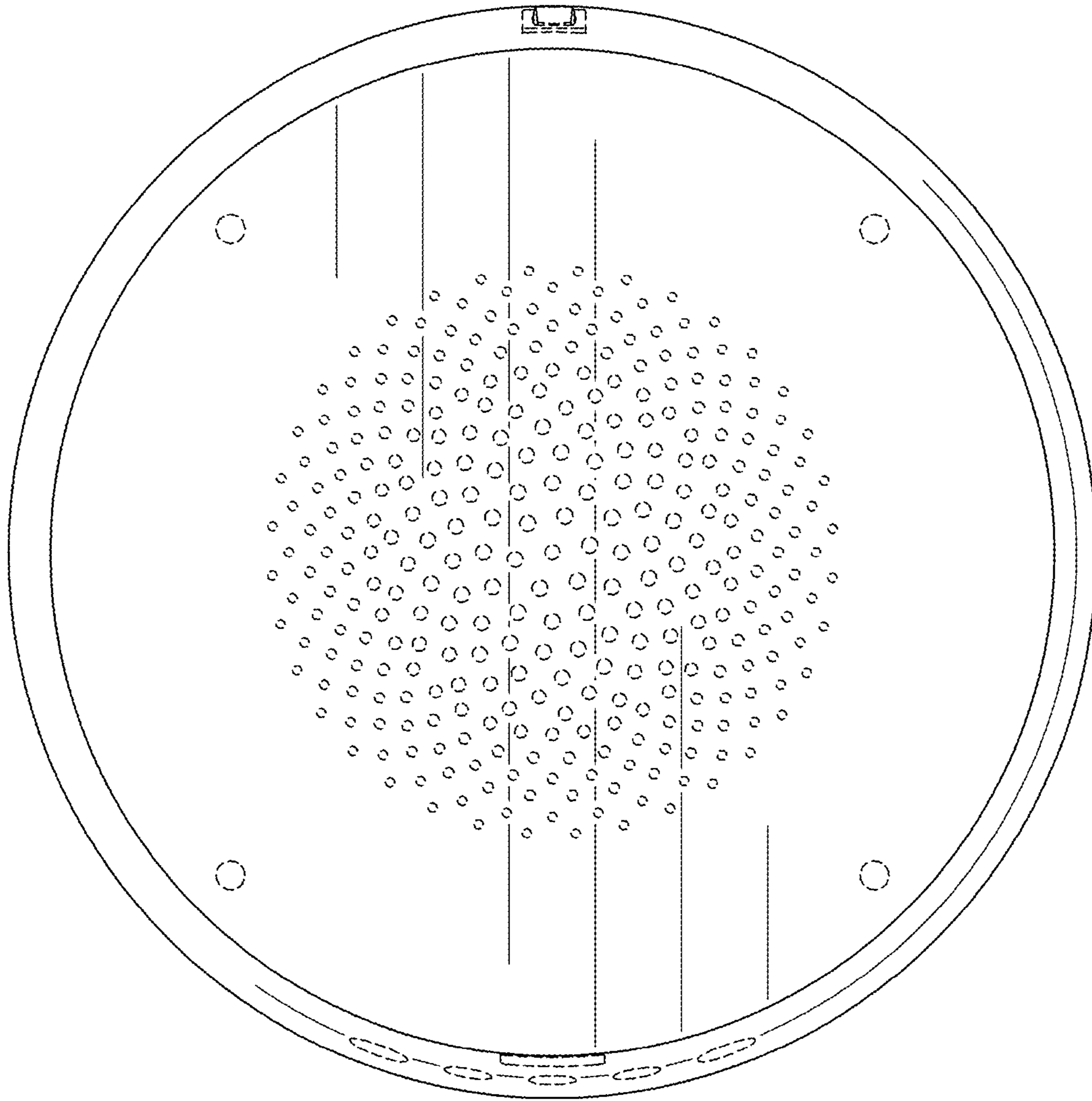


FIG. 6

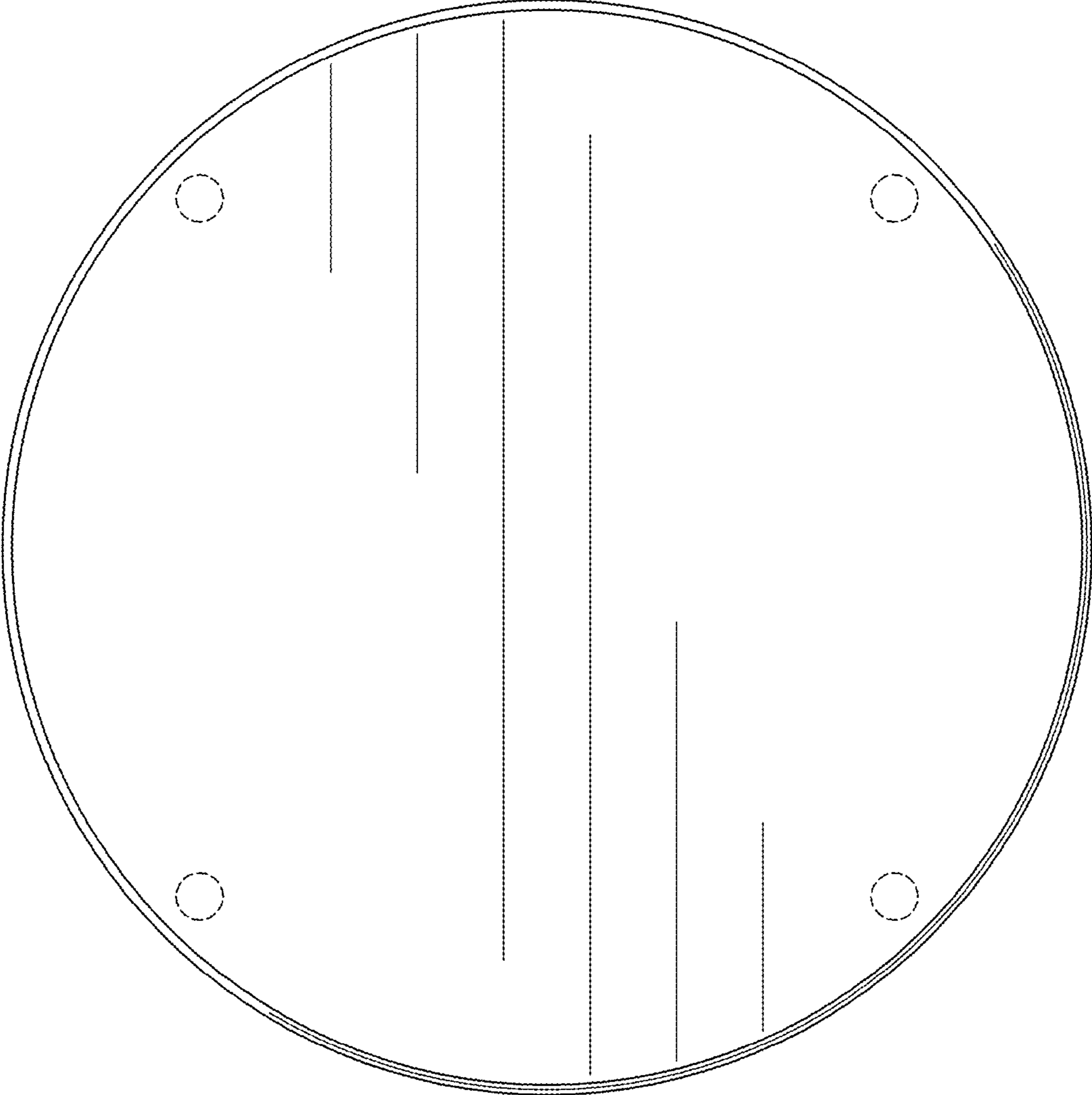


FIG. 7

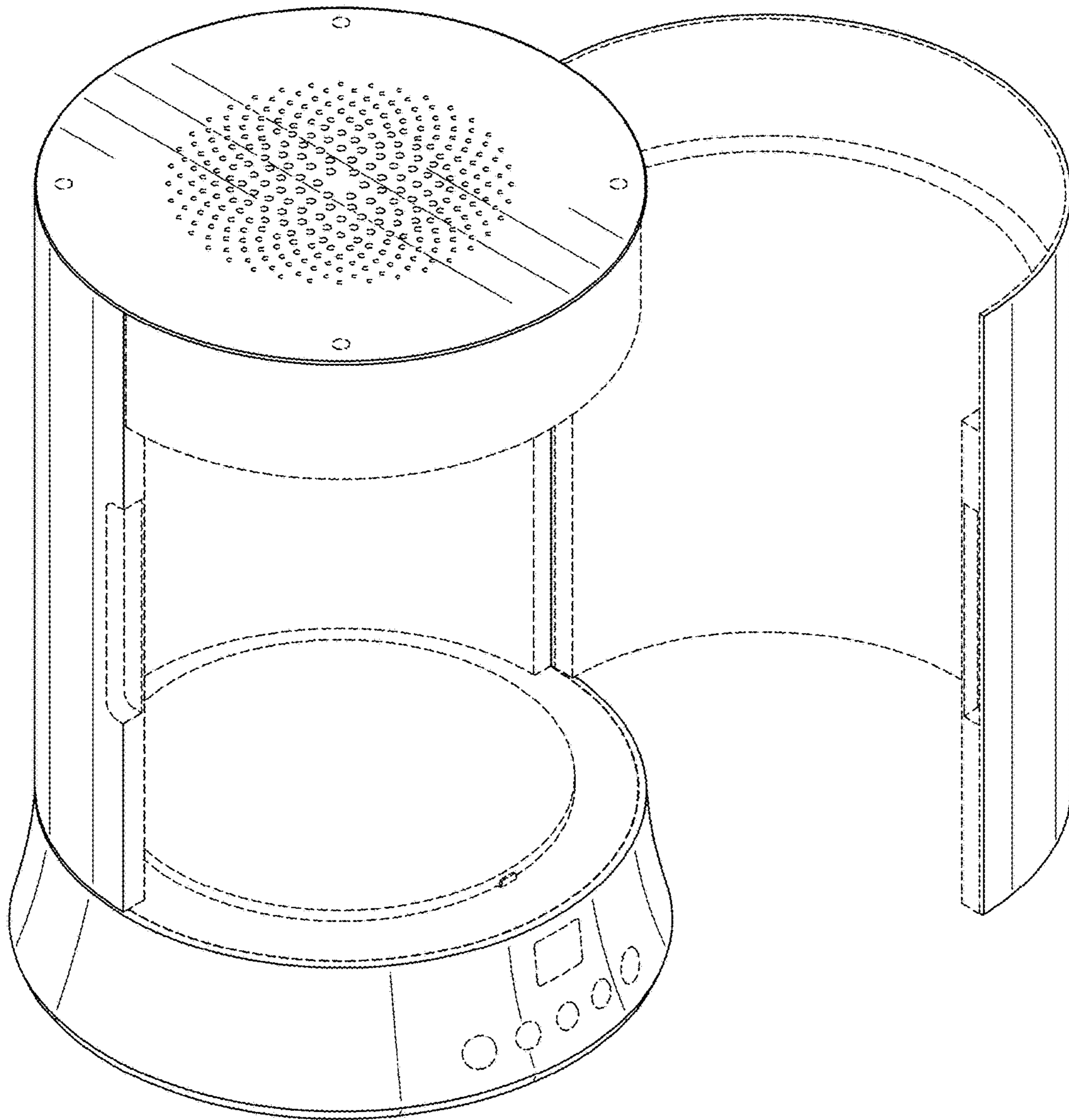


FIG. 8