



US00D777809S

(12) **United States Design Patent** (10) **Patent No.:** **US D777,809 S**
Wu (45) **Date of Patent:** **** Jan. 31, 2017**

(54) **3D PRINTER**
(71) Applicants: **XYZprinting, Inc.**, New Taipei (TW);
Kinpo Electronics, Inc., New Taipei
(TW); **Cal-Comp Electronics &**
Communications Company Limited,
New Taipei (TW)
(72) Inventor: **Pin-Hsuan Wu**, New Taipei (TW)
(73) Assignees: **XYZprinting, Inc.**, New Taipei (TW);
Kinpo Electronics, Inc., New Taipei
(TW); **Cal-Comp Electronics &**
Communications Company Limited,
New Taipei (TW)

D732,586 S * 6/2015 Chen D15/122
D732,587 S * 6/2015 Hsu D15/122
D734,814 S * 7/2015 Yeh D18/50
D736,838 S * 8/2015 Costabeber D15/122
D738,410 S * 9/2015 Liu D15/122
D739,885 S * 9/2015 Lee D15/122
D740,863 S * 10/2015 Kemperle D15/122
D742,439 S * 11/2015 Kraibuhler D15/122
D749,153 S * 2/2016 Anantha D15/122
D749,154 S * 2/2016 Kemperle D15/122
D752,661 S * 3/2016 Anantha D15/122
D754,763 S * 4/2016 Kraibuhler D15/122
D755,860 S * 5/2016 Busato D15/122
D757,132 S * 5/2016 Liu D15/122
D760,316 S * 6/2016 Kim D18/50
D763,330 S * 8/2016 Olive D15/122
D765,154 S * 8/2016 Kotlar D15/122
D765,745 S * 9/2016 Cheung D15/122

(**) Term: **15 Years**

(21) Appl. No.: **29/550,493**

(22) Filed: **Jan. 5, 2016**

(51) **LOC (10) Cl.** **15-09**

(52) **U.S. Cl.**
USPC **D15/122; D15/135**

(58) **Field of Classification Search**
USPC D15/122, 135, 138, 145, 146; D18/6-7,
D18/14, 19, 50, 54, 54.1, 55, 59
See application file for complete search history.

(56) **References Cited**

U.S. PATENT DOCUMENTS

D319,519 S * 8/1991 Keir D34/1
D325,927 S * 5/1992 Fushiya D18/54
7,297,304 B2 * 11/2007 Swanson B29C 41/36
264/308
D566,756 S * 4/2008 Massey D18/50
D694,319 S * 11/2013 Nakagawa D18/19
D722,108 S * 2/2015 Reches D18/50
8,945,456 B2 * 2/2015 Zenere B29C 67/0066
264/401

(Continued)

Primary Examiner — Patricia Palasik
(74) *Attorney, Agent, or Firm* — Jianq Chyun IP Office

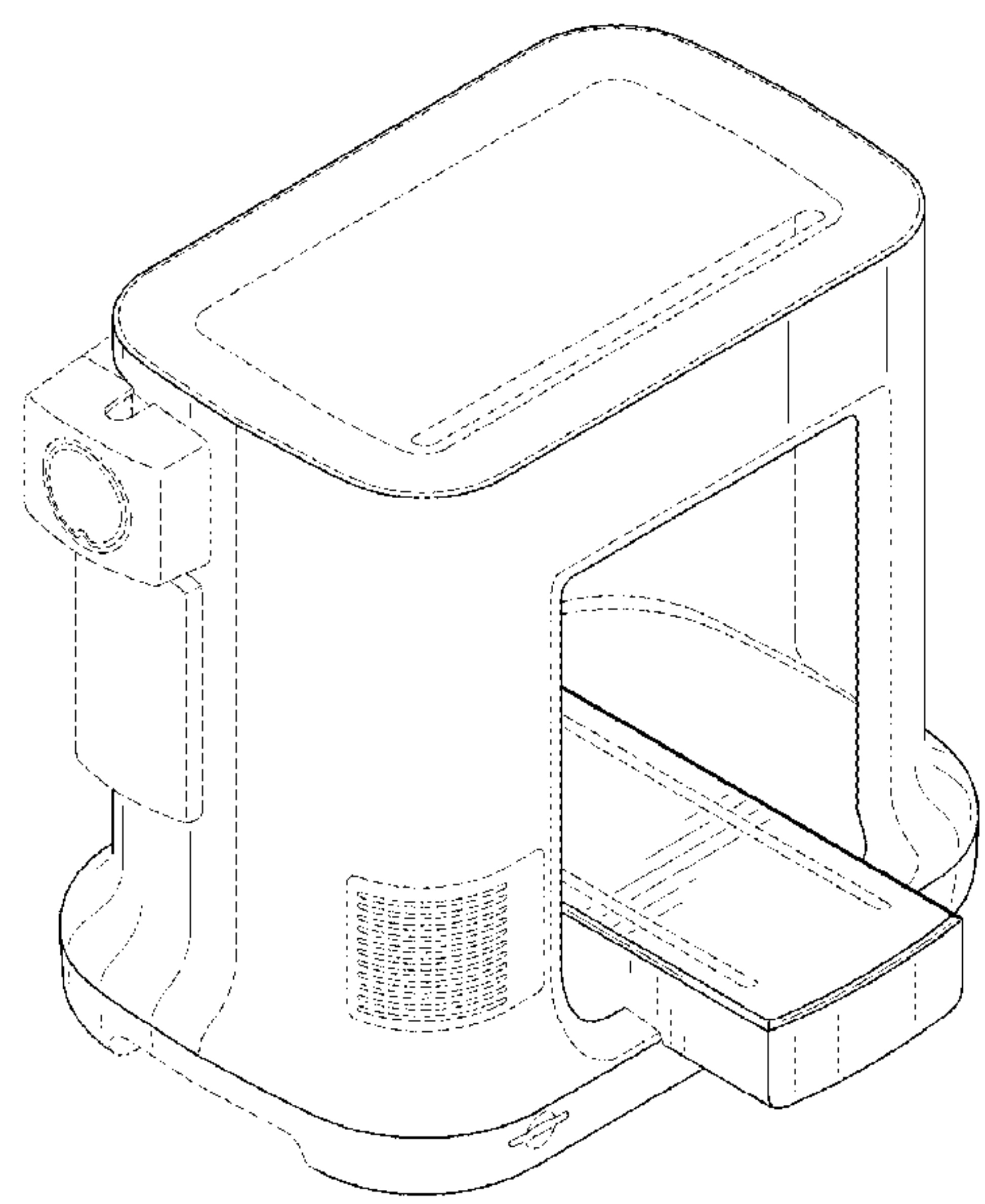
(57) **CLAIM**

The ornamental design for a 3D printer, as shown and described.

DESCRIPTION

FIG. 1 is a perspective view of a 3D printer showing my new design;
FIG. 2 is an another perspective view thereof;
FIG. 3 is a front view thereof;
FIG. 4 is a rear view thereof;
FIG. 5 is a left side view thereof;
FIG. 6 is a right side view thereof;
FIG. 7 is a top view thereof; and,
FIG. 8 is a bottom view thereof.
The broken line showing of portions of the 3D printer depicts unclaimed environmental subject matter.

1 Claim, 5 Drawing Sheets



(56)

References Cited

U.S. PATENT DOCUMENTS

D766,359 S * 9/2016 Takahashi D18/50
D766,998 S * 9/2016 Kao D15/122
D768,768 S * 10/2016 Takahashi D18/50
D770,545 S * 11/2016 Olive D15/122
D771,164 S * 11/2016 Noorazar D15/122
2014/0043630 A1* 2/2014 Buser H04N 13/02
358/1.13
2015/0064298 A1* 3/2015 Syao B29C 67/0062
425/169
2015/0352788 A1* 12/2015 Livingston B65D 11/20
264/401

* cited by examiner

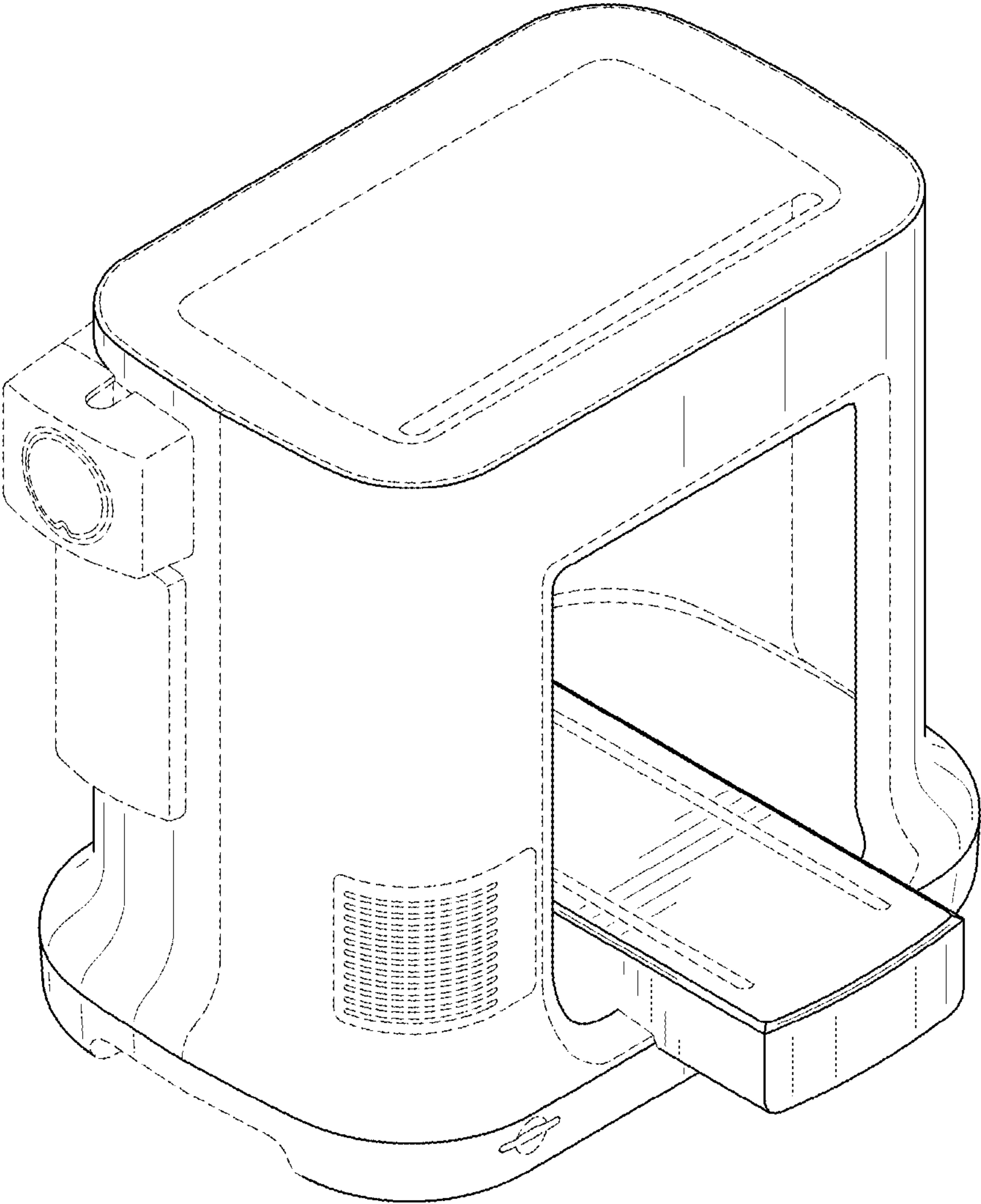


FIG. 1

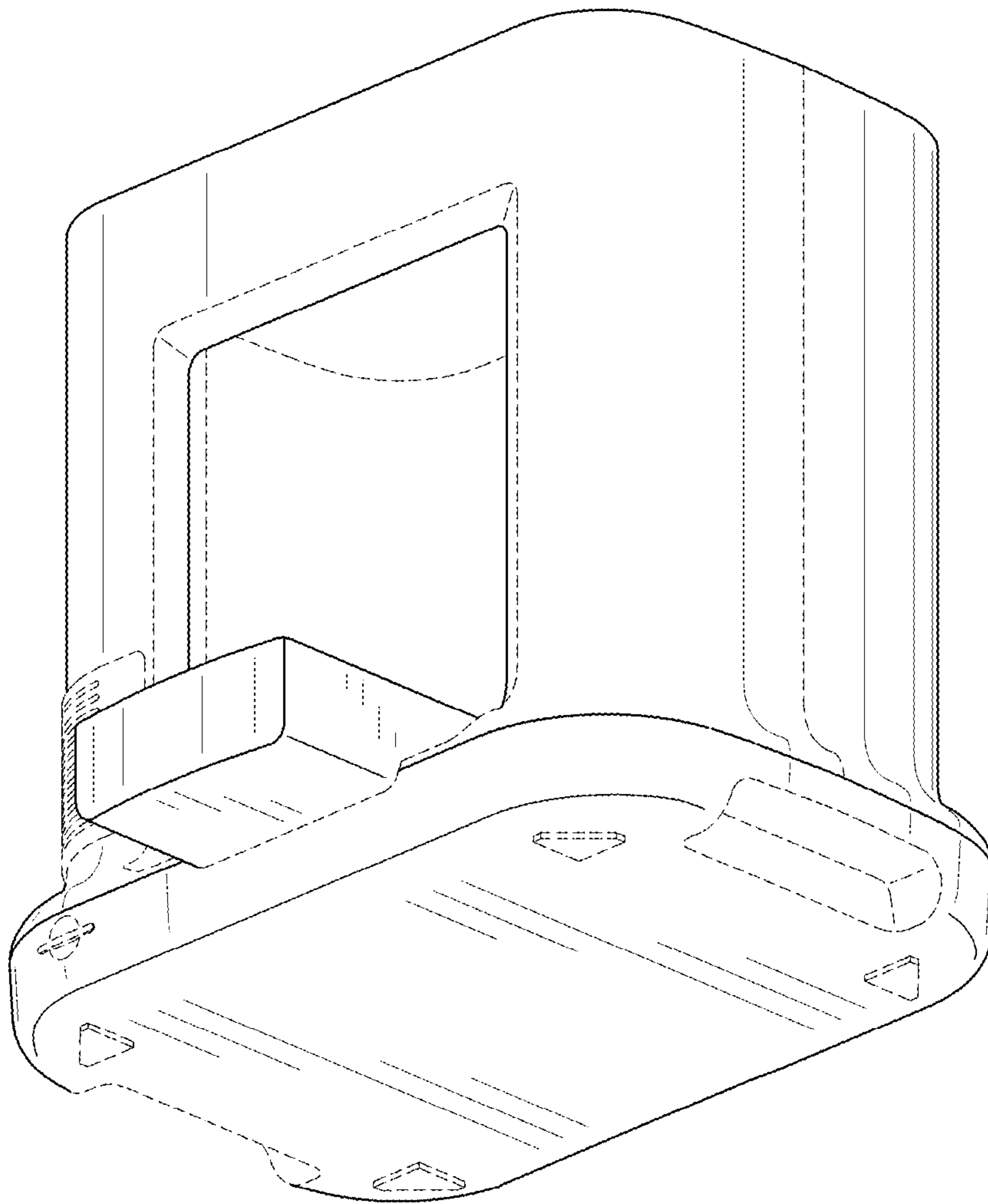


FIG. 2

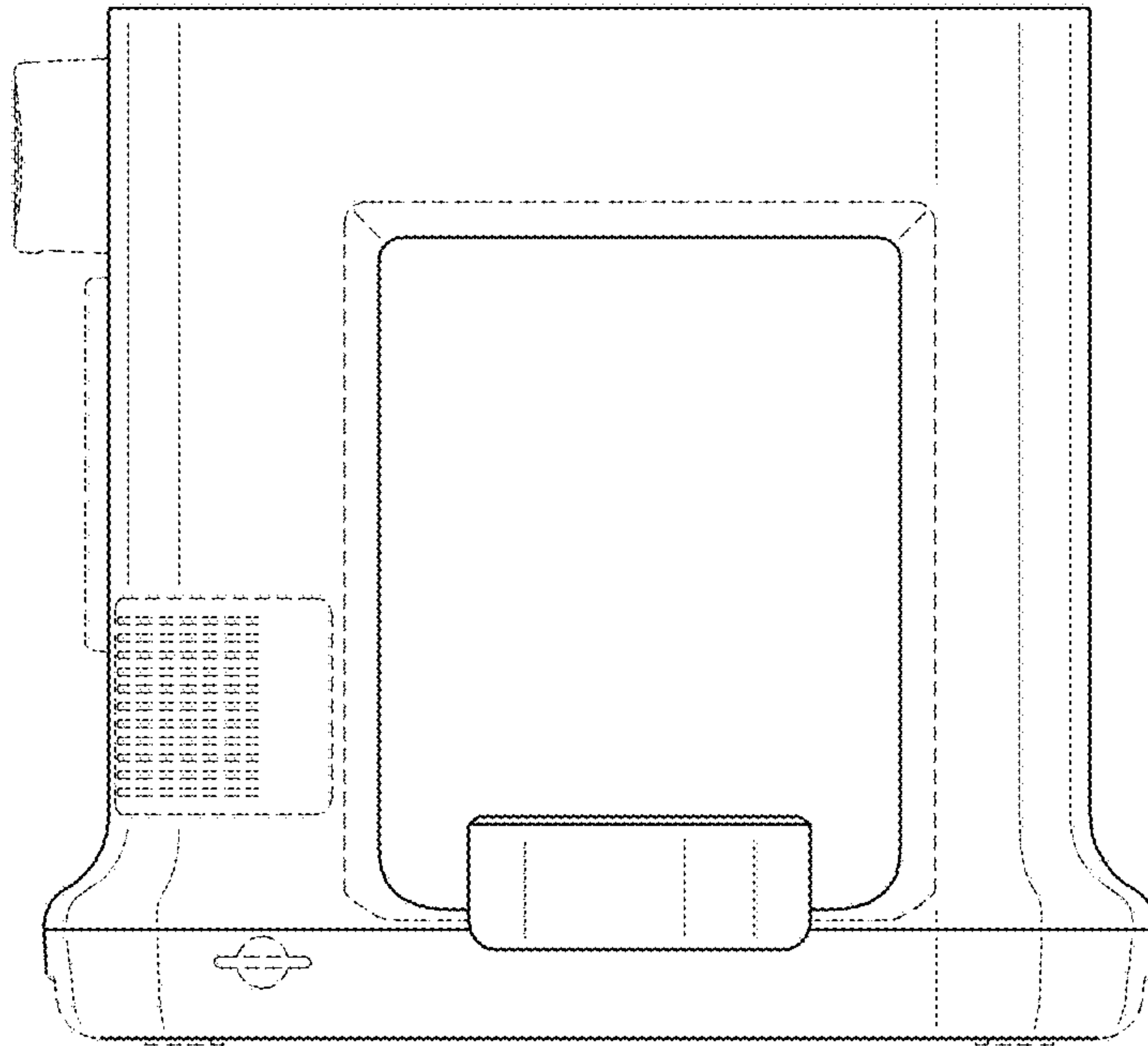


FIG. 3

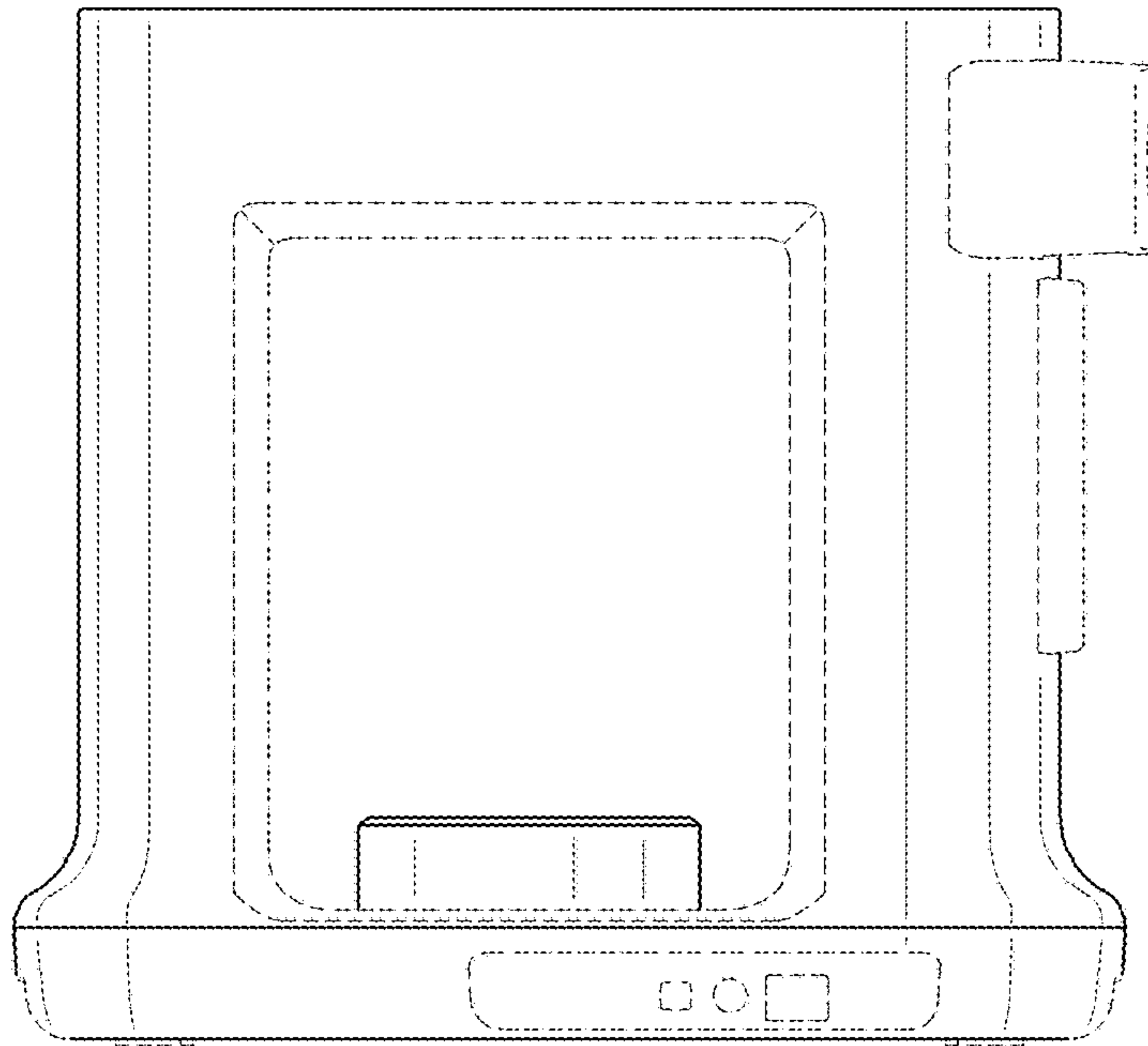


FIG. 4

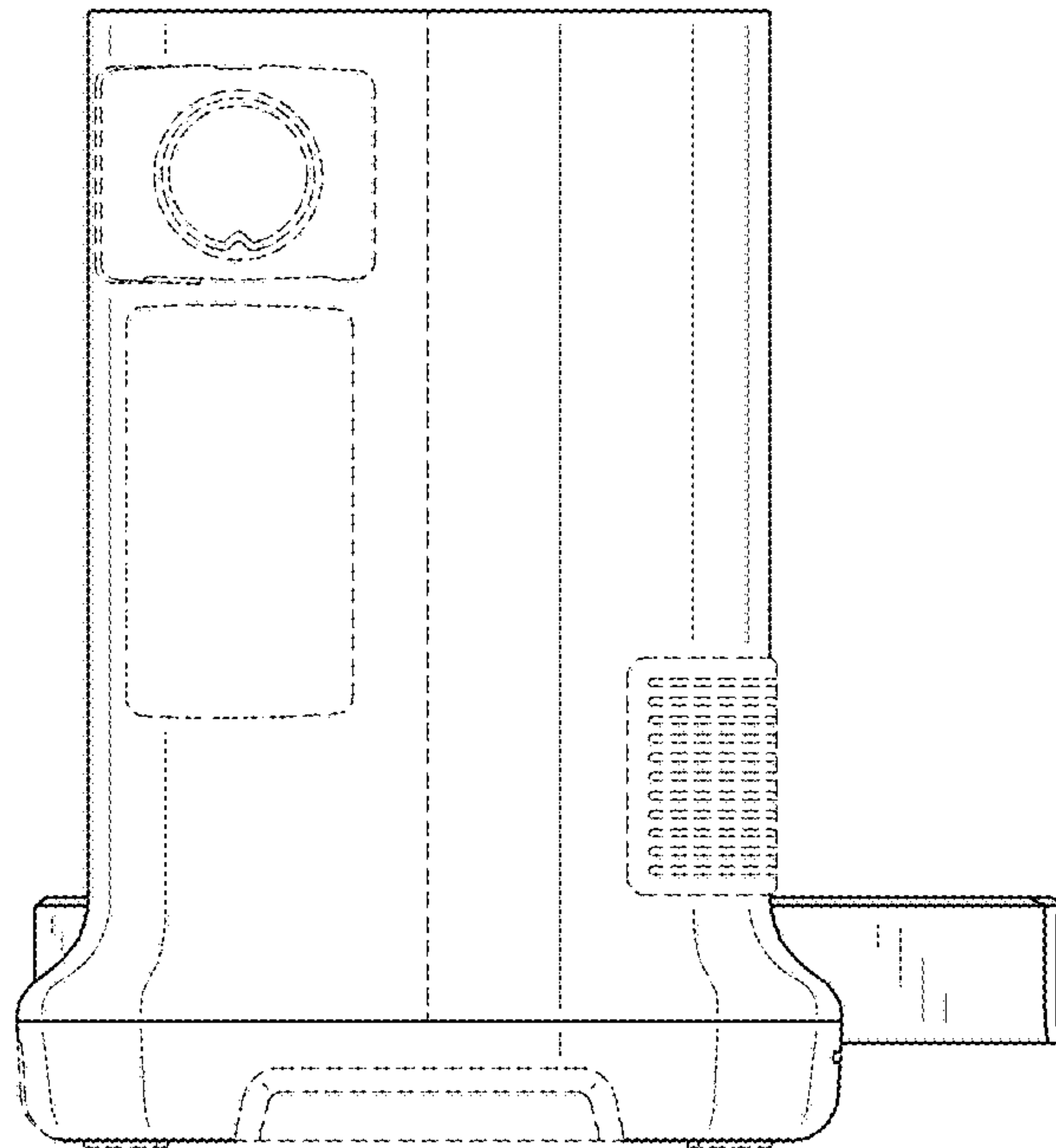


FIG. 5

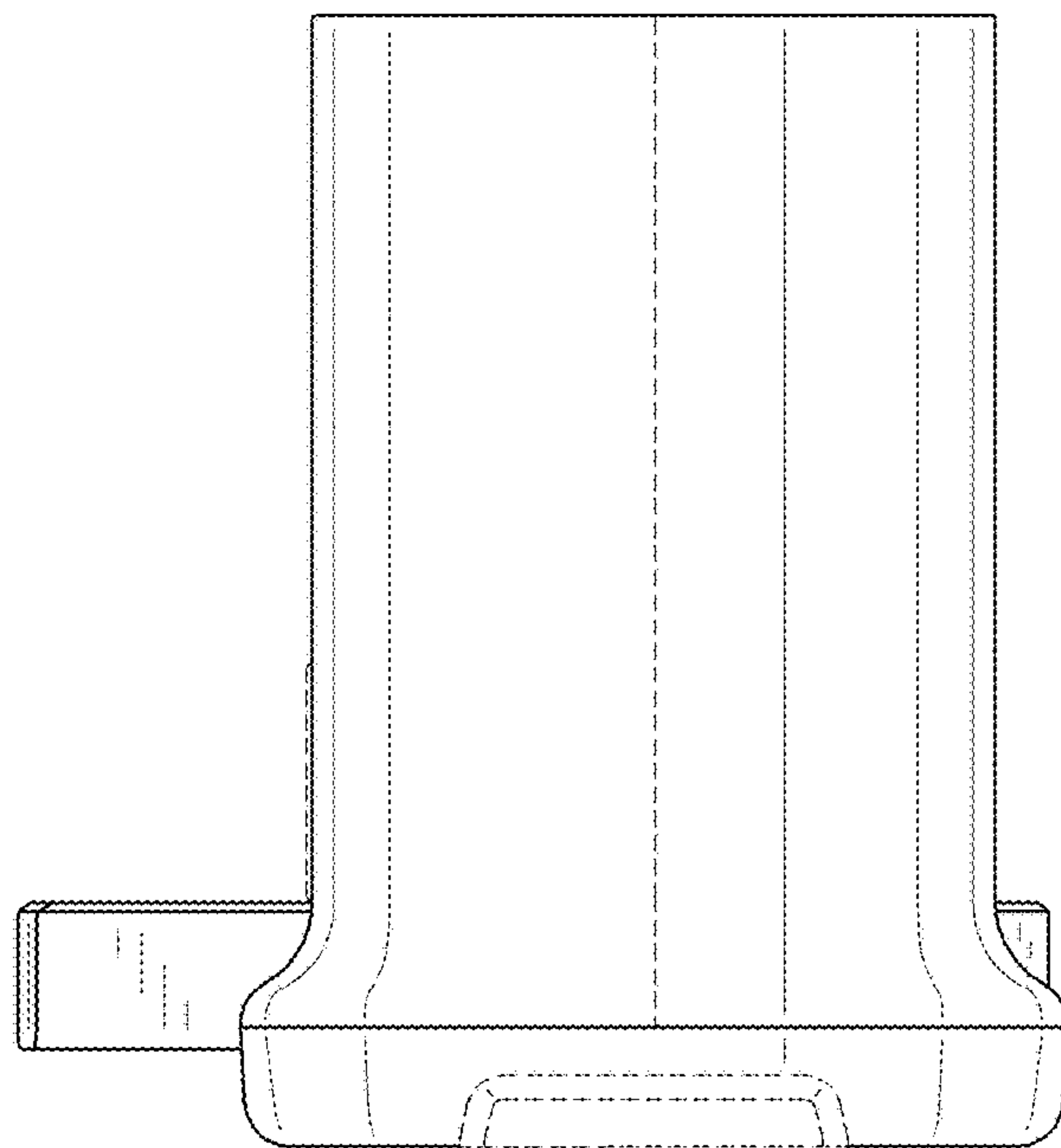


FIG. 6

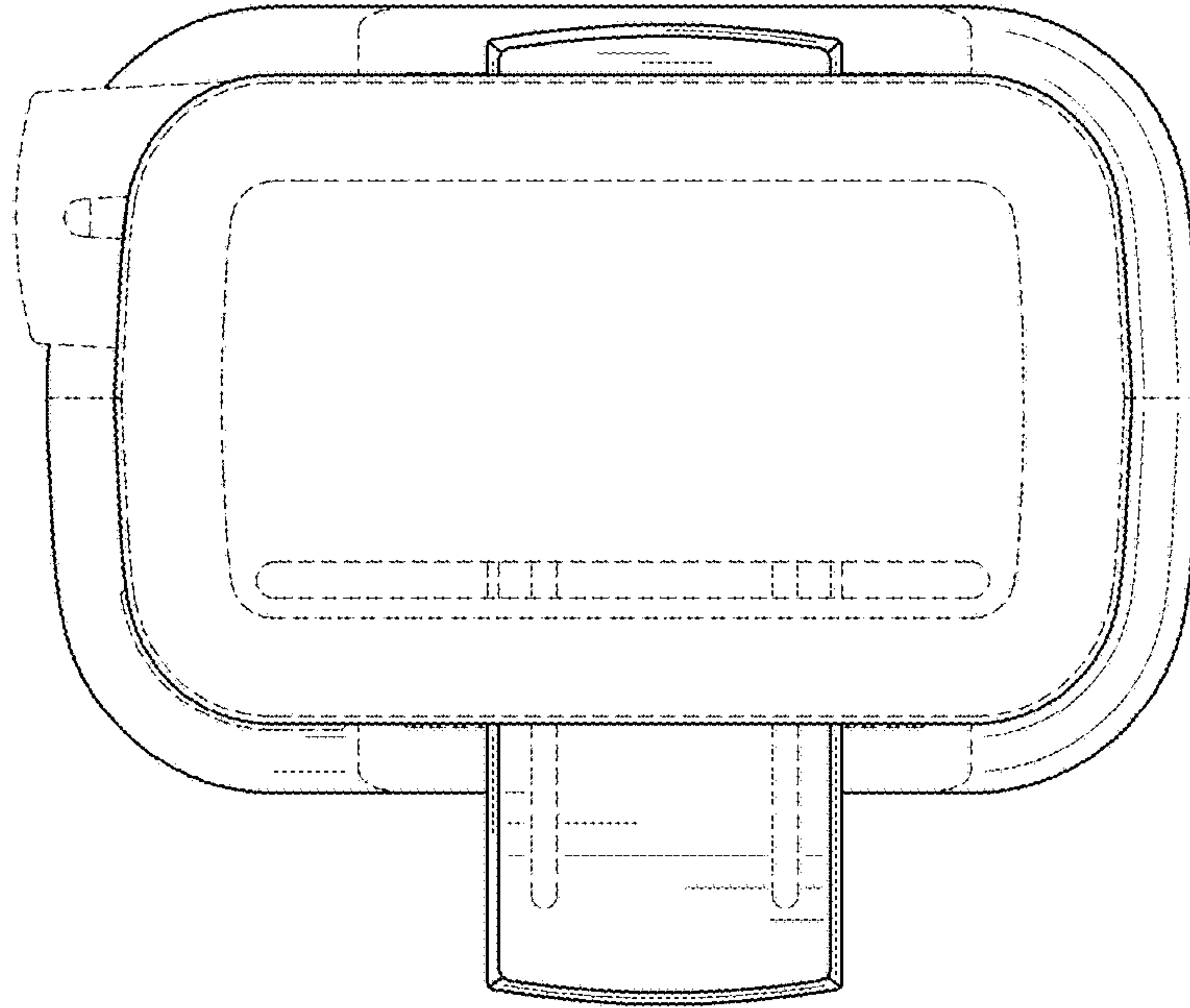


FIG. 7

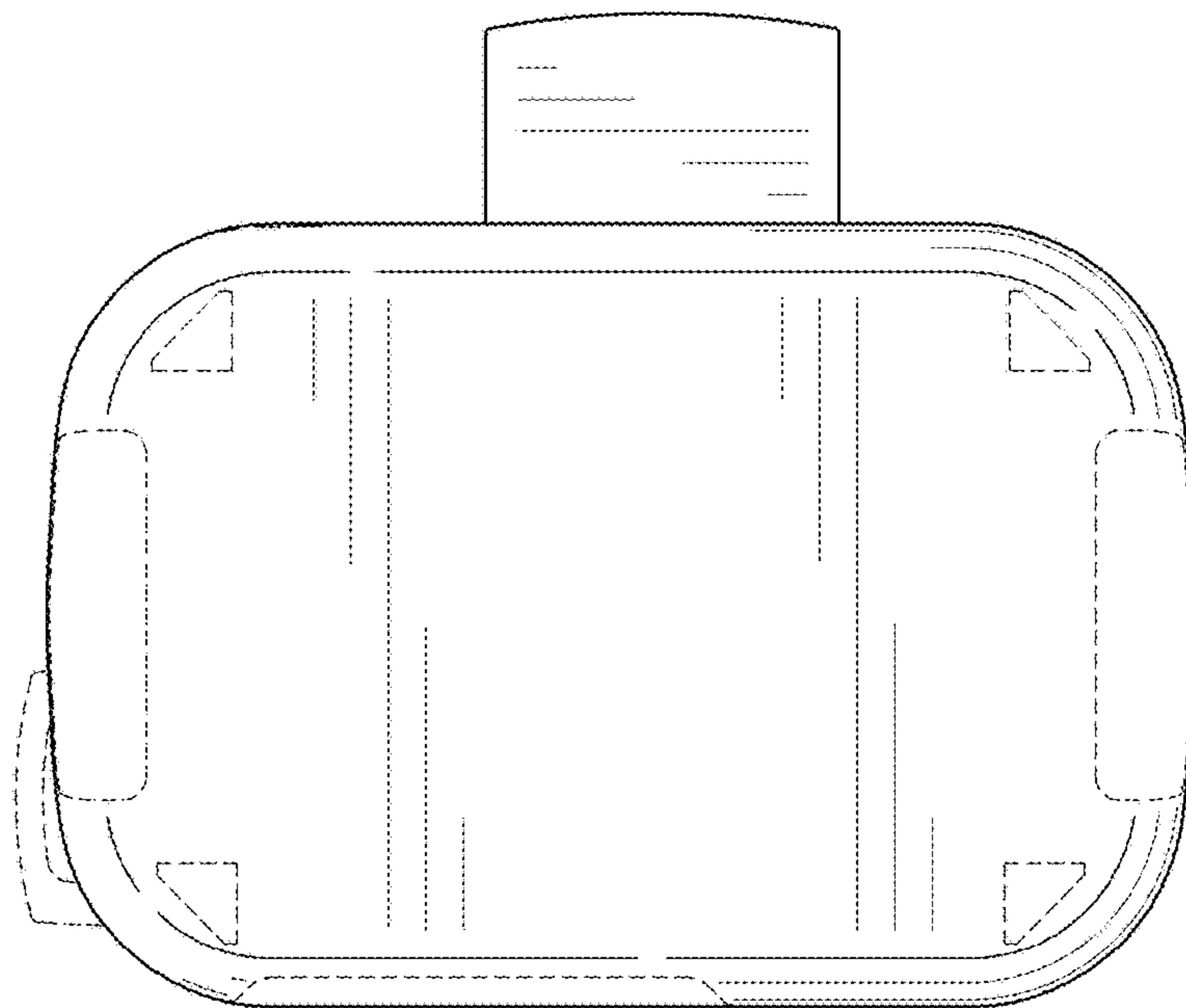


FIG. 8