



US00D777808S

(12) **United States Design Patent** (10) **Patent No.:** **US D777,808 S**  
**Chang et al.** (45) **Date of Patent:** **\*\* Jan. 31, 2017**

- (54) **3D PRINTER**
- (71) Applicants: **XYZprinting, Inc.**, New Taipei (TW);  
**Kinpo Electronics, Inc.**, New Taipei (TW); **Cal-Comp Electronics & Communications Company Limited**, New Taipei (TW)
- (72) Inventors: **Che-Wei Chang**, New Taipei (TW);  
**Wen-Chun Chung**, New Taipei (TW);  
**Chun-An Hsu**, New Taipei (TW)
- (73) Assignees: **XYZprinting, Inc.**, New Taipei (TW);  
**Kinpo Electronics, Inc.**, New Taipei (TW); **Cal-Comp Electronics & Communications Company Limited**, New Taipei (TW)

- D613,319 S \* 4/2010 Okamoto ..... D15/145
- D641,394 S \* 7/2011 Inada ..... D18/50
- D694,317 S \* 11/2013 Nakagawa ..... D18/19
- D694,319 S \* 11/2013 Nakagawa ..... D18/19
- D696,315 S \* 12/2013 Schmid ..... D15/122
- D722,108 S \* 2/2015 Reches ..... D18/50
- 8,945,456 B2 \* 2/2015 Zenere ..... B29C 67/0066  
264/401
- D732,586 S \* 6/2015 Chen ..... D15/122
- D732,587 S \* 6/2015 Hsu ..... D15/122
- D734,788 S \* 7/2015 Reches ..... D15/122
- D736,838 S \* 8/2015 Costabeber ..... D15/122
- D739,459 S \* 9/2015 Murata ..... D18/50
- D739,885 S \* 9/2015 Lee ..... D15/122
- D740,863 S \* 10/2015 Kemperle ..... D15/122
- D742,439 S \* 11/2015 Kraibuhler ..... D15/122

(Continued)

*Primary Examiner* — Patricia Palasik  
(74) *Attorney, Agent, or Firm* — Jianq Chyun IP Office

- (\*\*) Term: **15 Years**
- (21) Appl. No.: **29/550,492**

(57) **CLAIM**  
The ornamental design for a 3D printer, as shown and described.

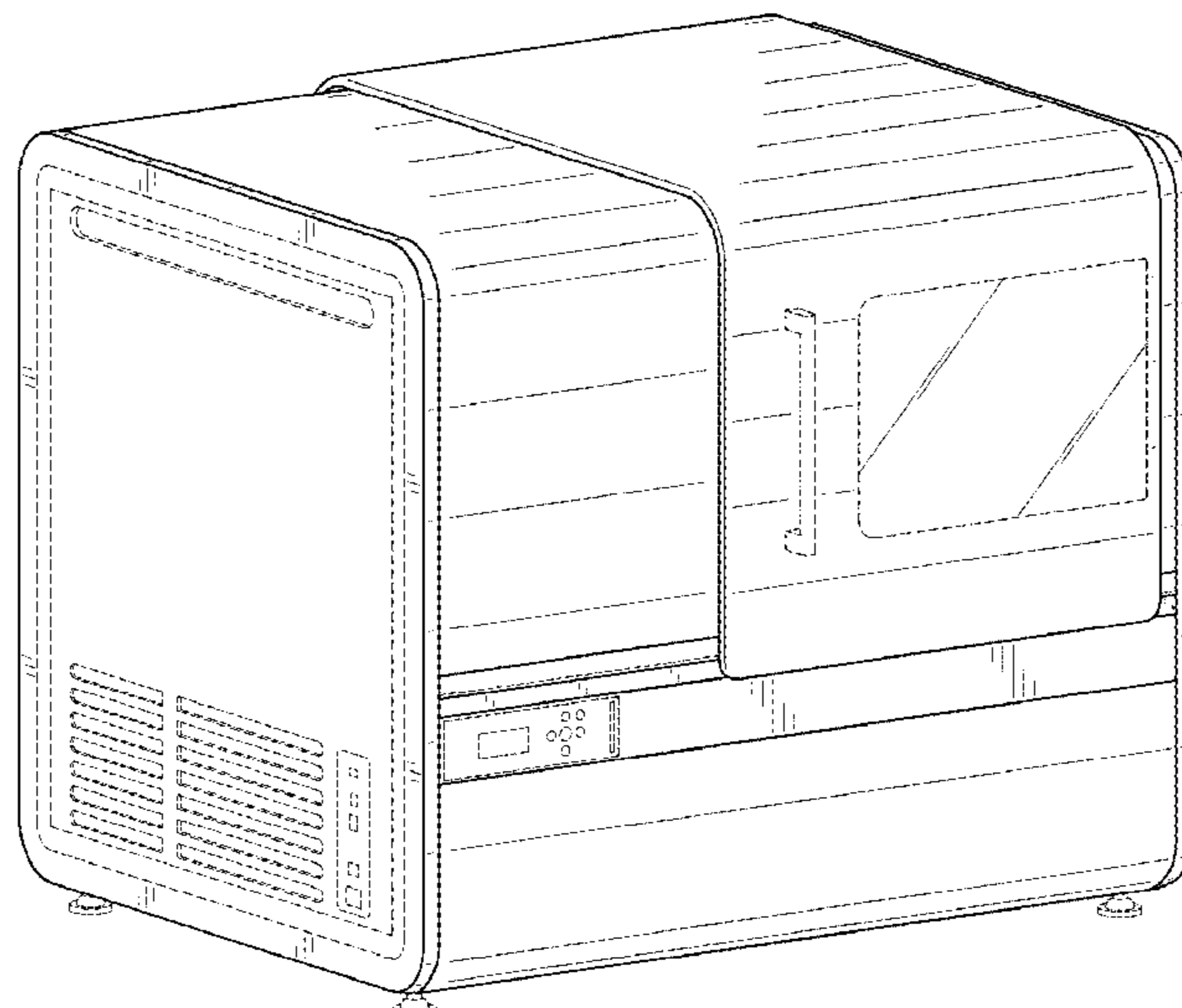
- (22) Filed: **Jan. 5, 2016**
- (51) **LOC (10) Cl.** ..... **15-09**
- (52) **U.S. Cl.**  
USPC ..... **D15/122; D15/135**
- (58) **Field of Classification Search**  
USPC ..... D15/122, 135, 138, 145, 146; D18/6-7,  
D18/14, 19, 50, 54, 54.1, 55, 59  
See application file for complete search history.

**DESCRIPTION**

FIG. 1 is a perspective view of a 3D printer showing our new design;  
FIG. 2 is a front view thereof;  
FIG. 3 is a rear view thereof;  
FIG. 4 is a left side view thereof;  
FIG. 5 is a right side view thereof;  
FIG. 6 is a top view thereof;  
FIG. 7 is a bottom view thereof;  
FIG. 8 is a sectional view taken along line 8-8 in FIG. 2 with the internal parts omitted; and,  
FIG. 9 is a sectional view taken along line 9-9 in FIG. 4 with the internal parts omitted.  
The broken line showing of portions of the 3D printer depicts unclaimed environmental subject matter.

- (56) **References Cited**  
U.S. PATENT DOCUMENTS  
D474,805 S \* 5/2003 Gotham ..... D18/50  
D543,222 S \* 5/2007 Pester ..... D15/145  
7,297,304 B2 \* 11/2007 Swanson ..... B29C 41/36  
264/308  
D559,900 S \* 1/2008 Kimura ..... D18/50  
D561,249 S \* 2/2008 Smith ..... D18/55

**1 Claim, 9 Drawing Sheets**



(56)

**References Cited**

U.S. PATENT DOCUMENTS

D750,162 S *	2/2016	Ozawa .....	D18/19
D751,612 S *	3/2016	Kojima .....	D15/122
D753,741 S *	4/2016	Lee .....	D15/145
D754,763 S *	4/2016	Kraibuhler .....	D15/122
D755,860 S *	5/2016	Busato .....	D15/122
D757,132 S *	5/2016	Liu .....	D15/122
D763,330 S *	8/2016	Olive .....	D15/122
D766,998 S *	9/2016	Kao .....	D15/122
D770,545 S *	11/2016	Olive .....	D15/122
D771,164 S *	11/2016	Noorazar .....	D15/122
2015/0352788 A1 *	12/2015	Livingston .....	B65D 11/20 264/401

\* cited by examiner

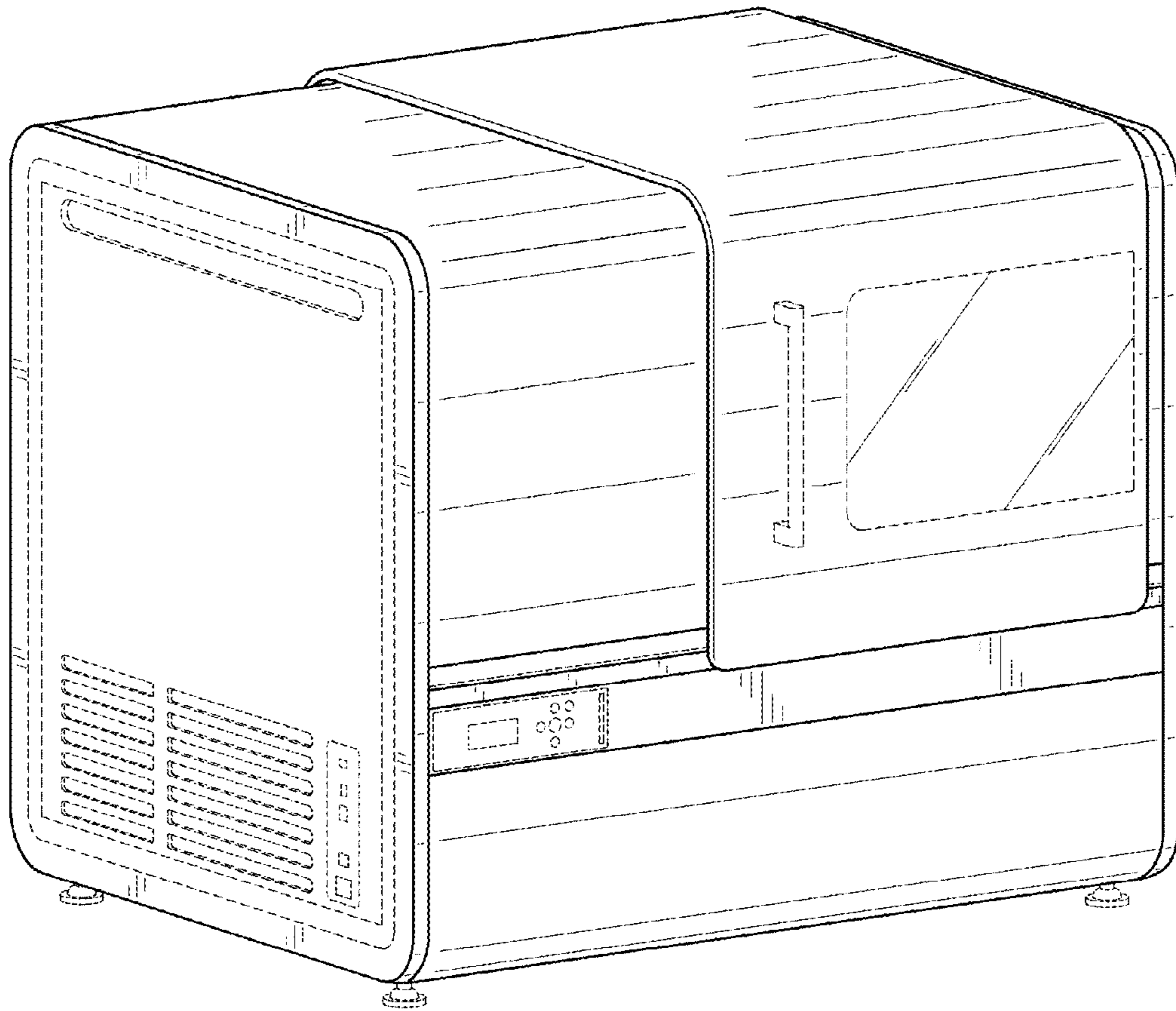


FIG. 1

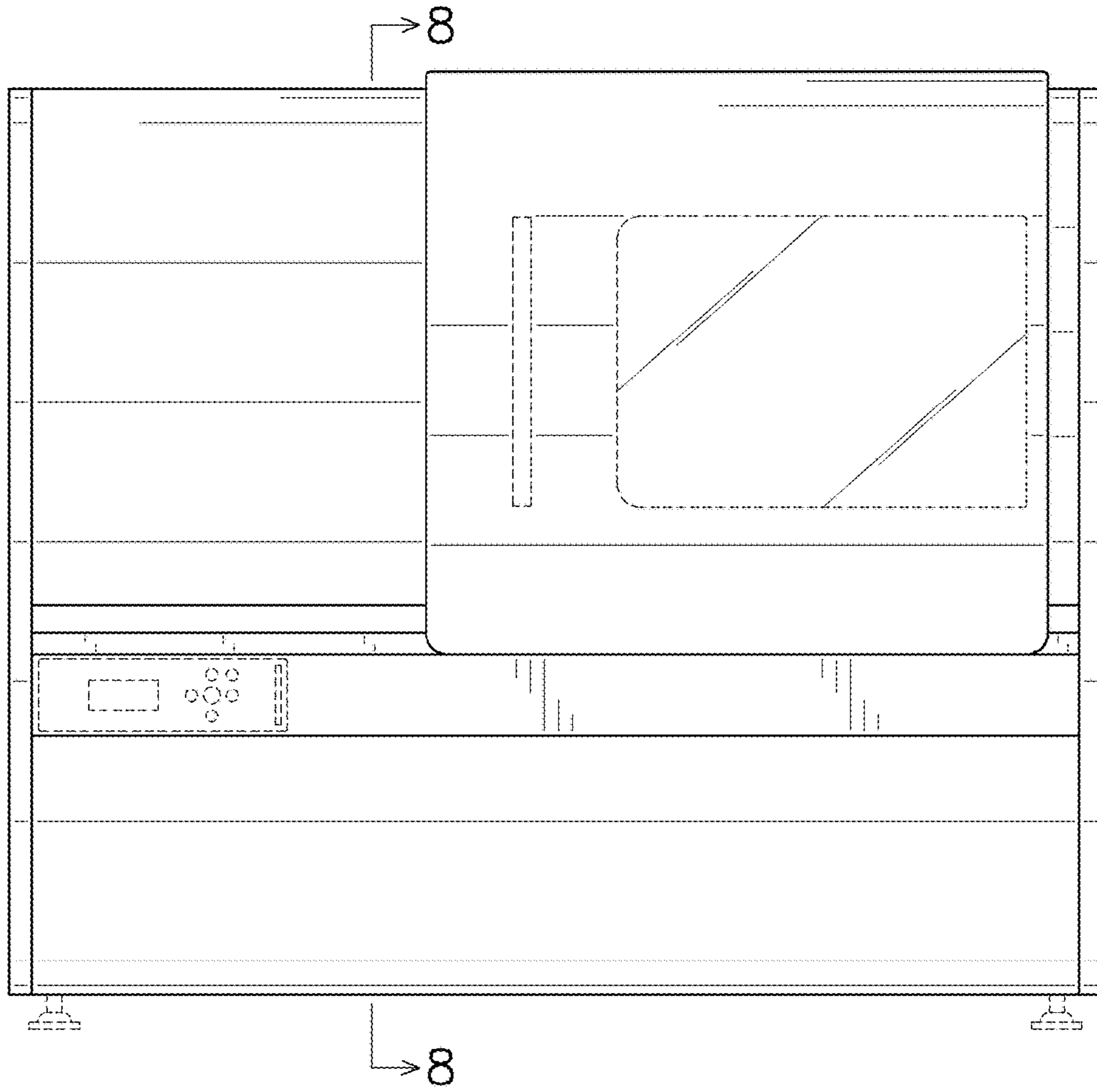


FIG. 2

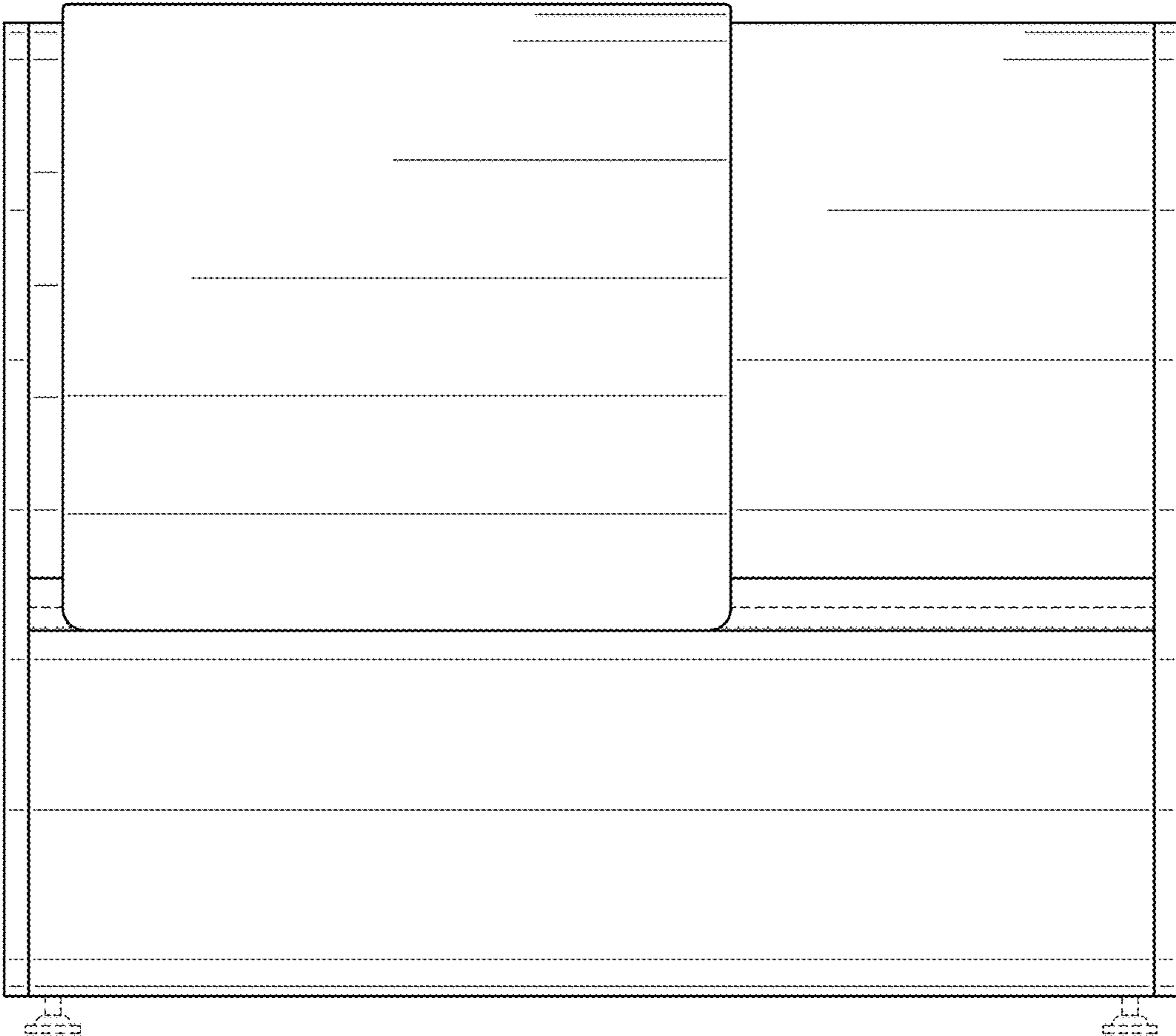


FIG. 3

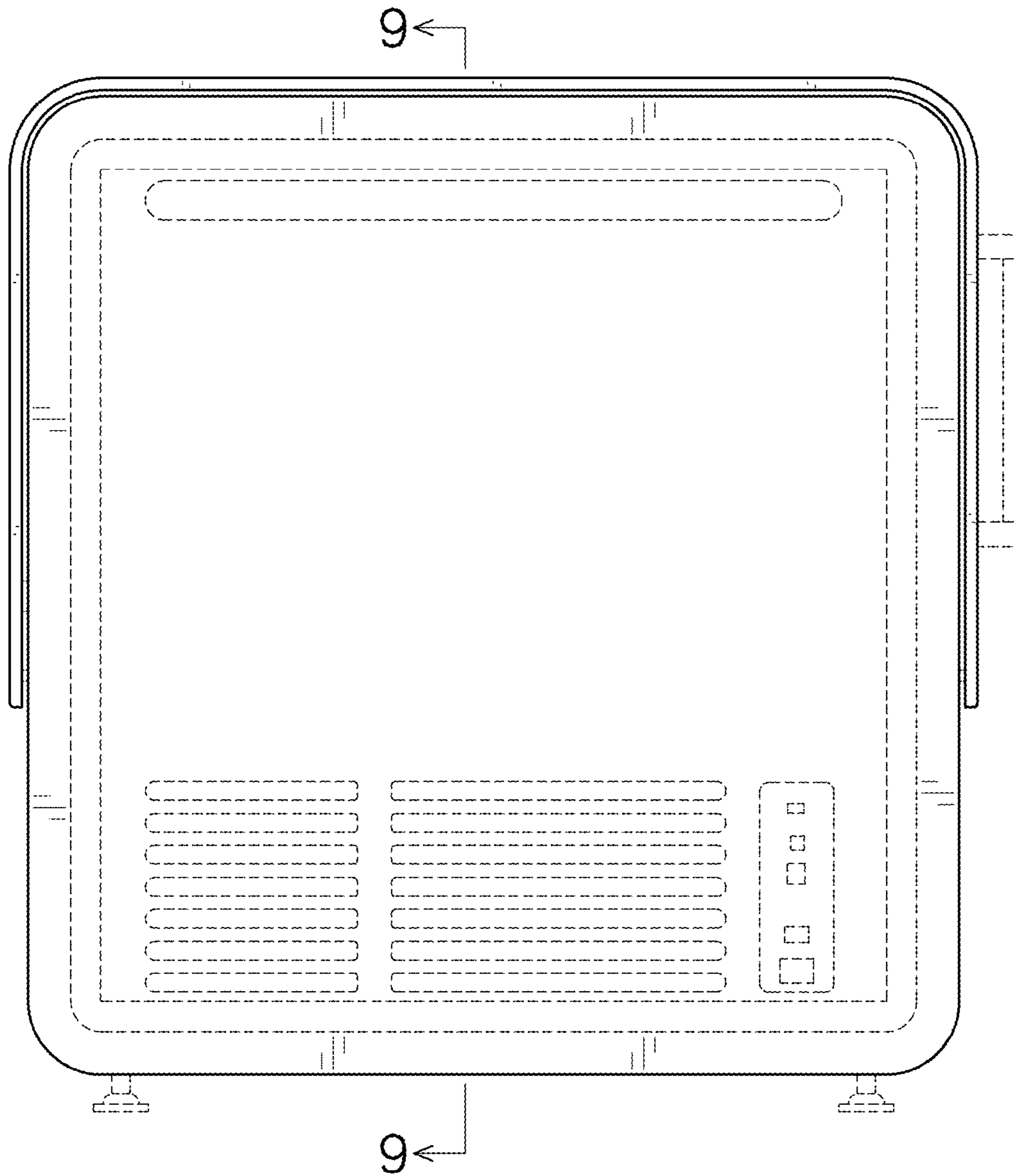


FIG. 4

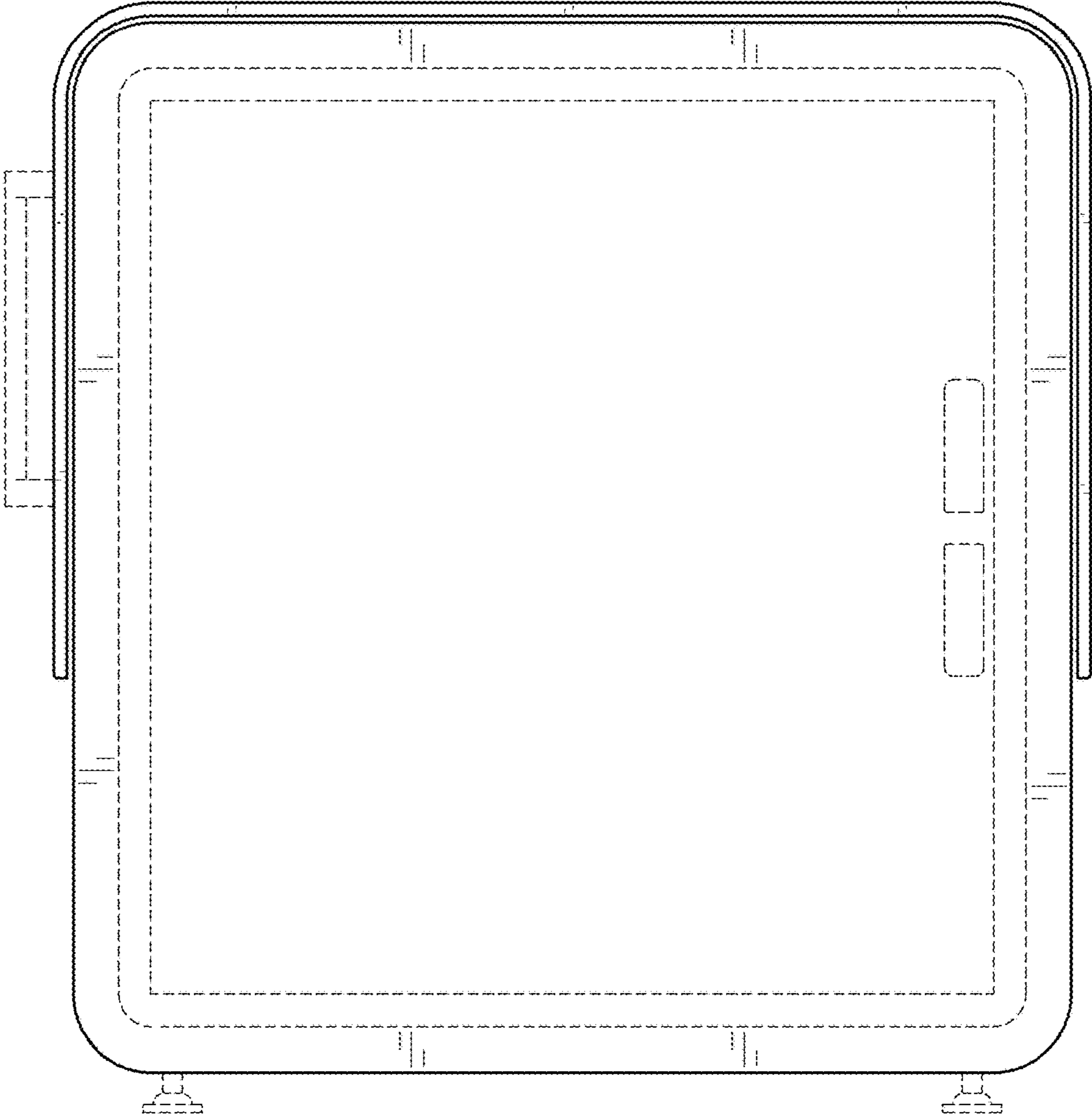


FIG. 5

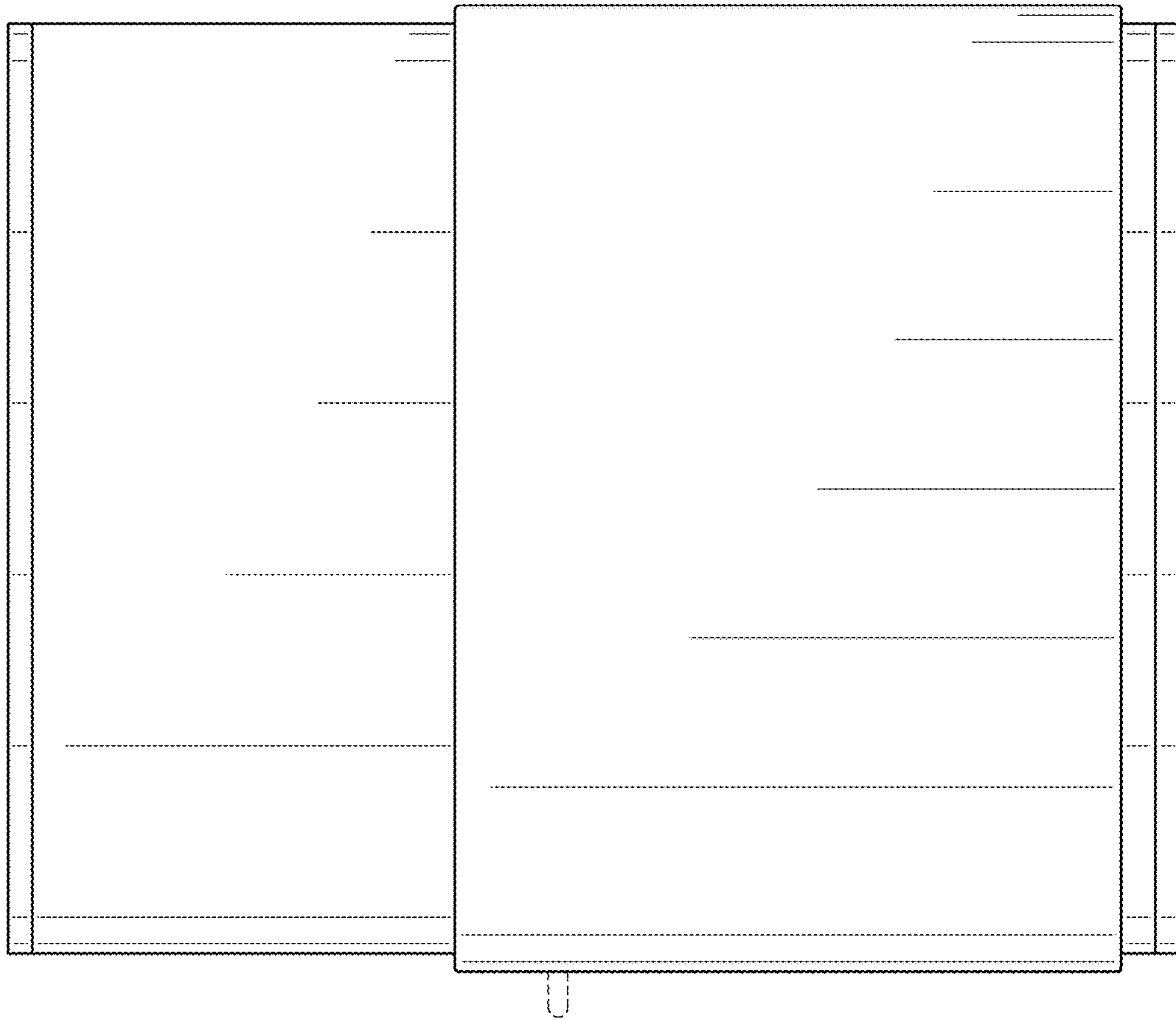


FIG. 6



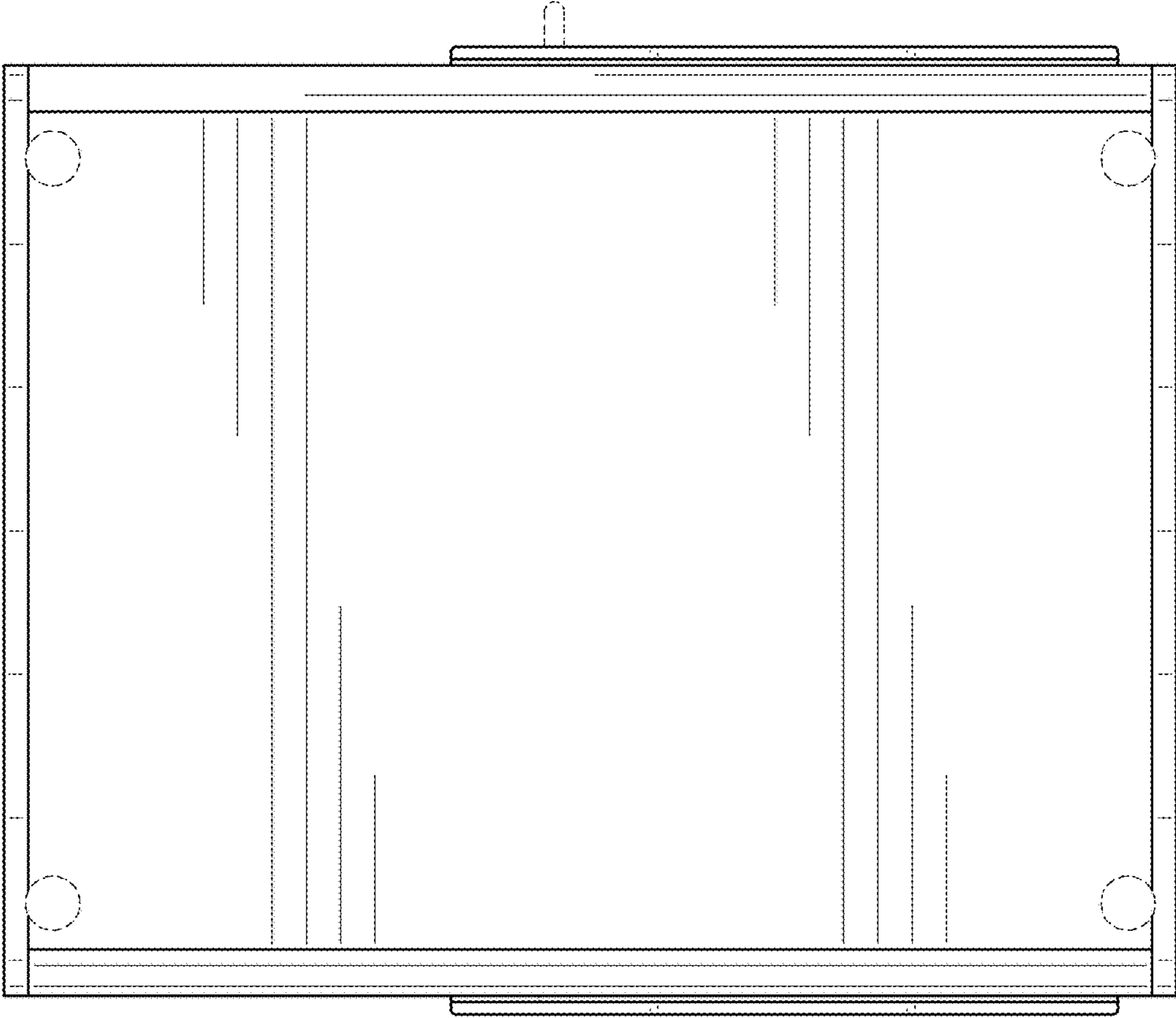


FIG. 7

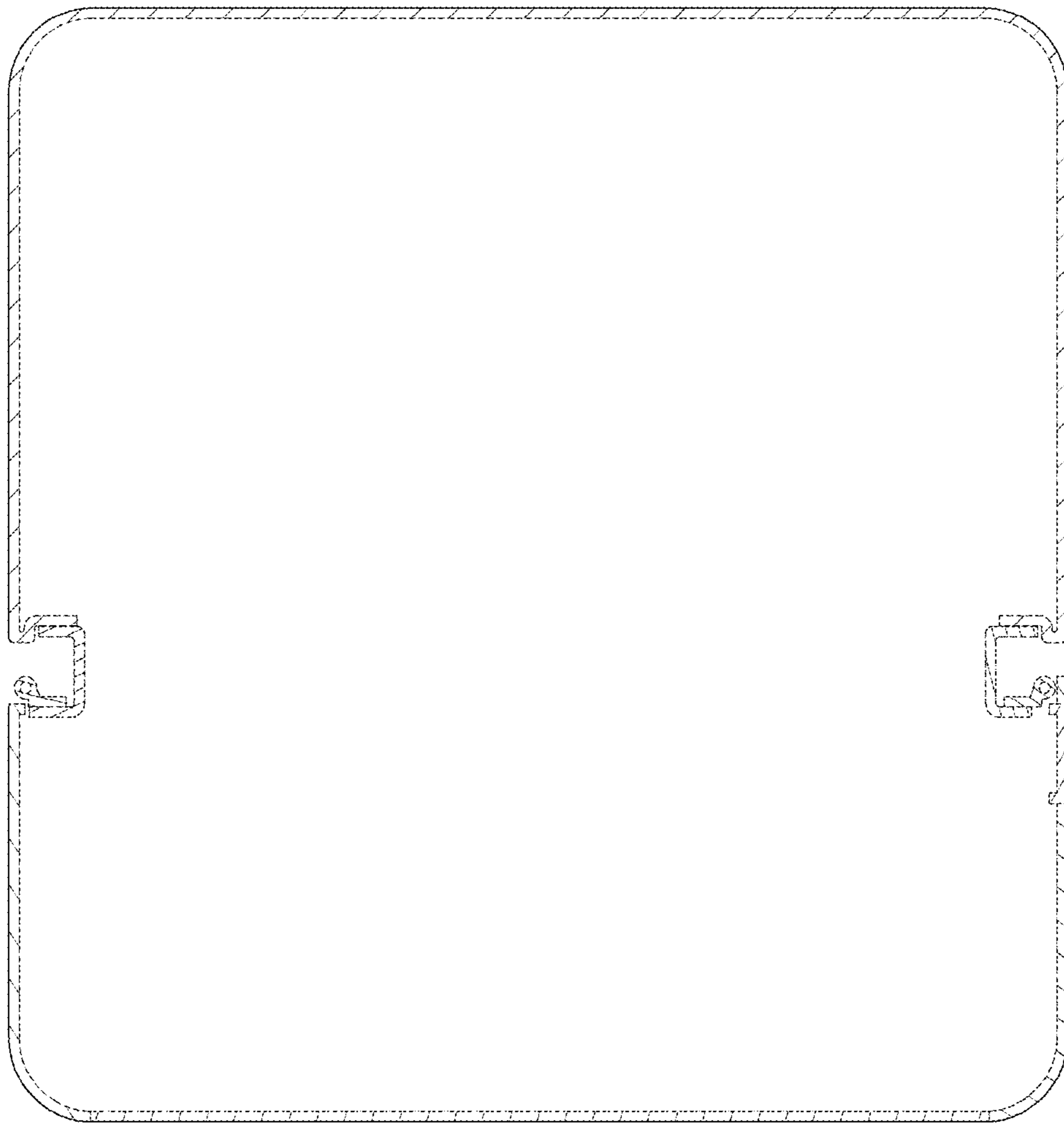


FIG. 8

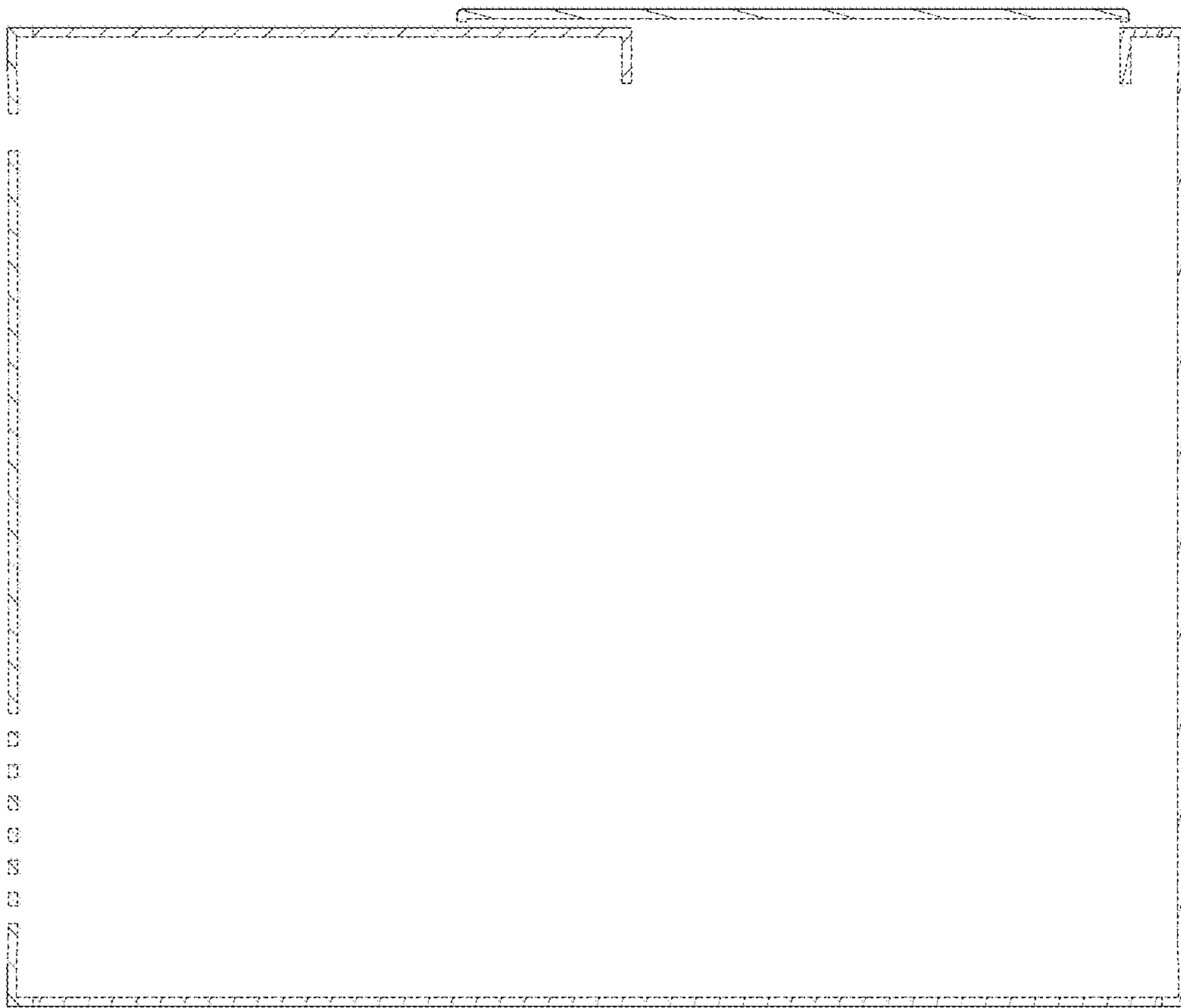


FIG. 9