



US00D777807S

(12) **United States Design Patent**
Kim et al.

(10) **Patent No.:** **US D777,807 S**

(45) **Date of Patent:** **** Jan. 31, 2017**

(54) **HOLDER FOR REFRIGERATOR STORAGE CONTAINER**

(71) Applicant: **Samsung Electronics Co., Ltd.**,
Suwon-si (KR)

(72) Inventors: **Ae-Ryun Kim**, Ansan-si (KR); **Seon-Ju Lee**, Seoul (KR); **Min-Kyung Choi**, Seoul (KR); **Sun-Min Lee**, Seoul (KR)

(73) Assignee: **SAMSUNG ELECTRONICS CO., LTD.** (KR)

(**) Term: **14 Years**

(21) Appl. No.: **29/504,661**

(22) Filed: **Oct. 8, 2014**

(30) **Foreign Application Priority Data**

Apr. 8, 2014 (KR) 30-2014-0017499

(51) **LOC (10) Cl.** **15-07**

(52) **U.S. Cl.**
USPC **D15/89**

(58) **Field of Classification Search**

USPC D15/79-91
CPC F25D 23/028; F25D 23/02; F25D 25/025;
F25D 23/00; F25D 2323/021; F25D
11/00; F25D 2323/024; F25D
23/04; F25D 29/00; F25D 25/02; F25D
25/024; F25D 27/005; F25D 23/12; F25D
29/005; F25D 17/042; F25D 2325/021;
F25D 2323/02

See application file for complete search history.

(56) **References Cited**

U.S. PATENT DOCUMENTS

D309,571 S *	7/1990	Lehman	D15/89
D380,762 S *	7/1997	Sammut	D15/89
D612,405 S *	3/2010	Eicher	D15/89
D656,970 S *	4/2012	Merritt	D15/90
D710,405 S *	8/2014	Seo	D15/89
D714,840 S *	10/2014	Yang	D15/89

* cited by examiner

Primary Examiner — Daniel Bui

Assistant Examiner — Khawaja Anwar

(74) *Attorney, Agent, or Firm* — Cantor Colburn, LLP

(57) **CLAIM**

The ornamental design for a holder for refrigerator storage container, as shown and described.

DESCRIPTION

FIG. 1 is a perspective view of a holder for refrigerator storage container, showing our new design;

FIG. 2 is a front view thereof;

FIG. 3 is a rear view thereof;

FIG. 4 is a side view thereof;

FIG. 5 is a another side view thereof;

FIG. 6 is a top view thereof;

FIG. 7 is a bottom view thereof;

FIG. 8 is another perspective view thereof, in an environment of use; and,

FIG. 9 is yet another perspective view thereof, in an environment of use.

The broken lines are for environmental purpose only and form no part of the claimed design.

1 Claim, 7 Drawing Sheets

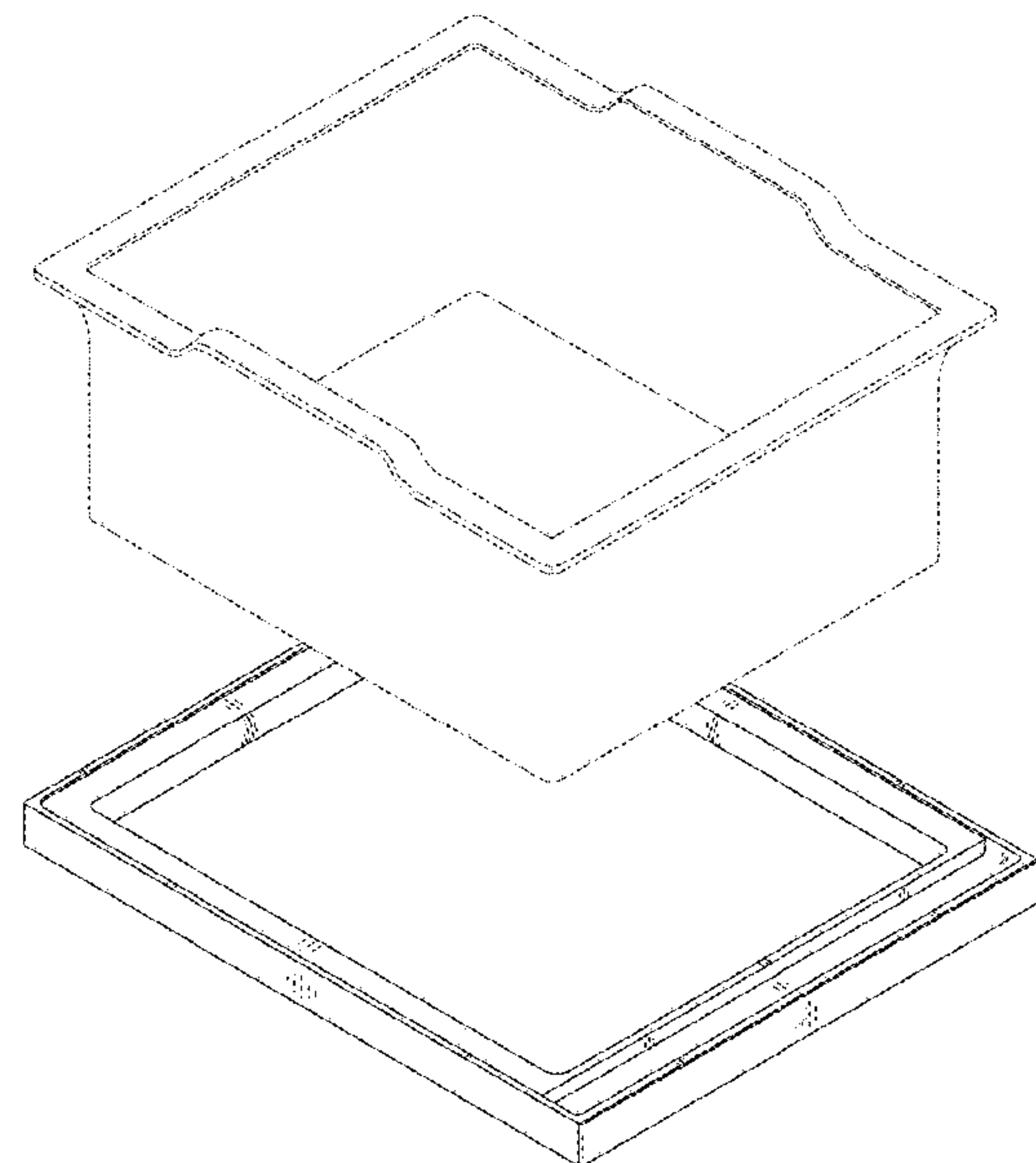
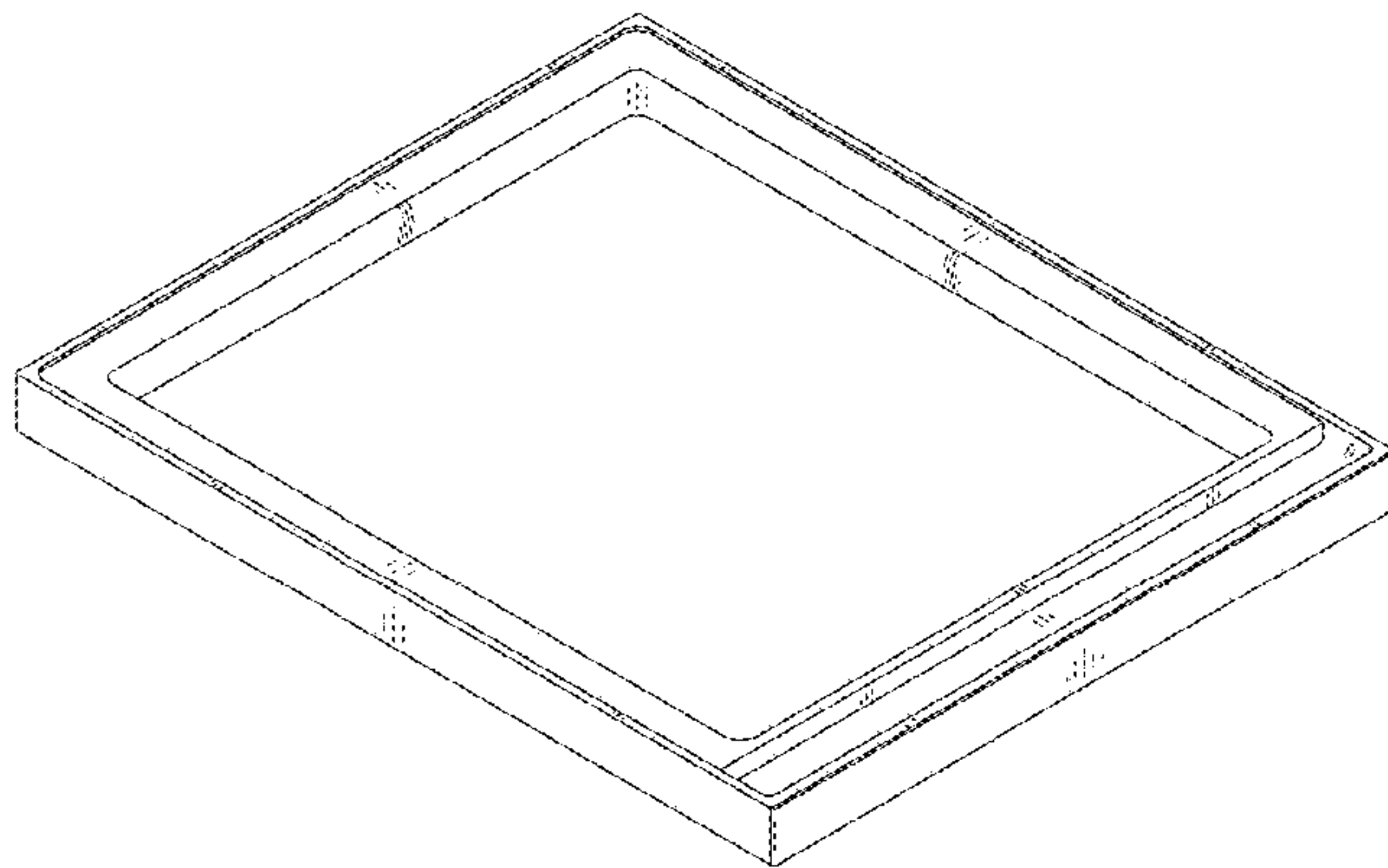


FIG. 1

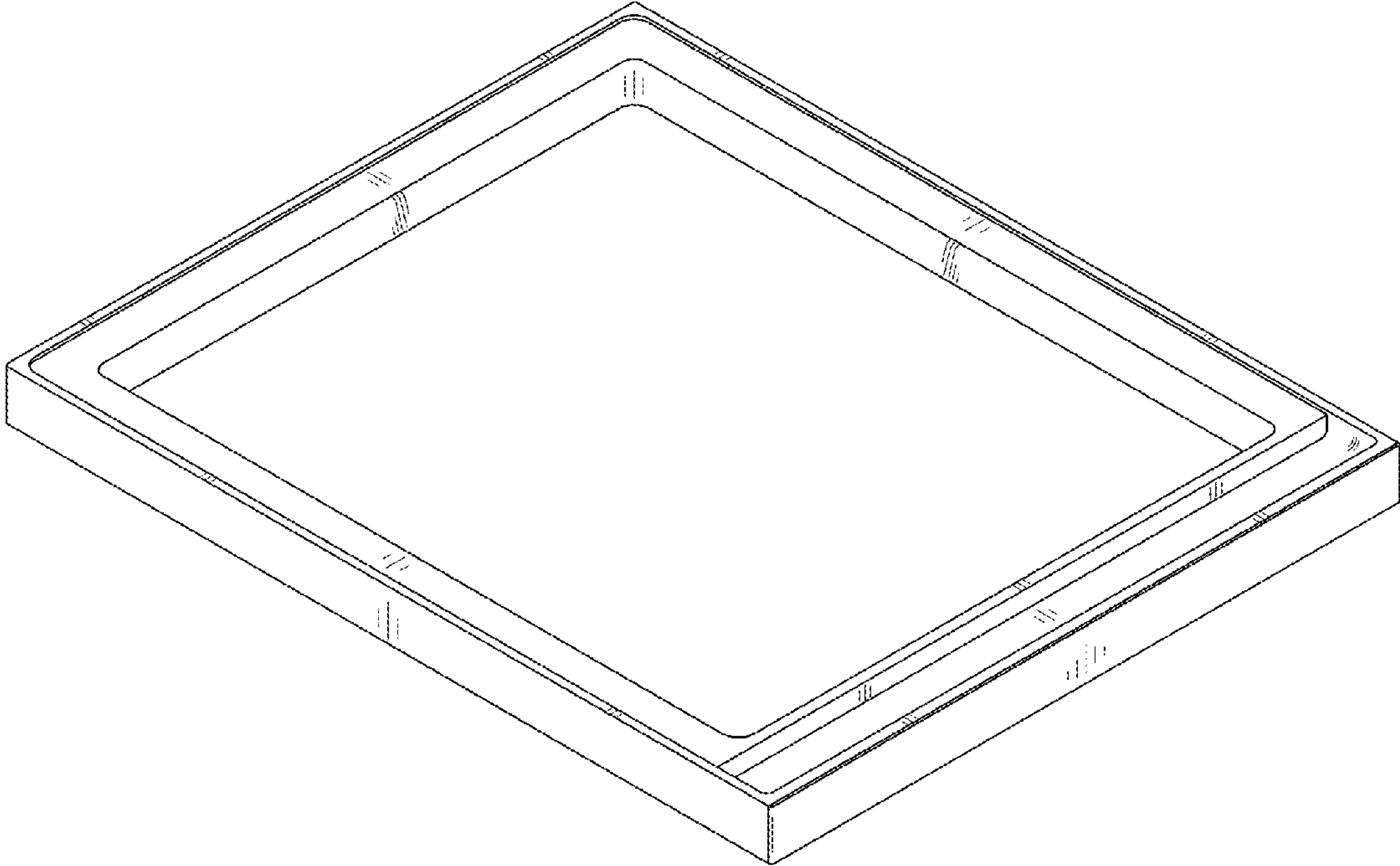


FIG. 2



FIG. 3

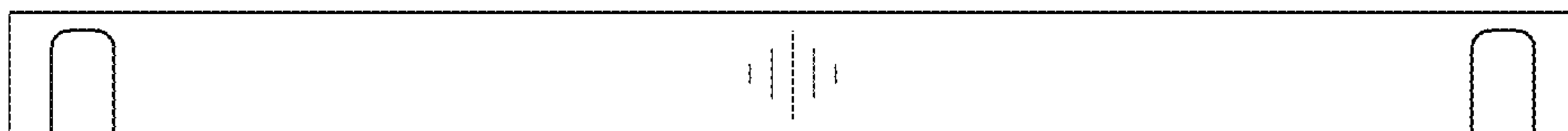


FIG. 4



FIG. 5



FIG. 6

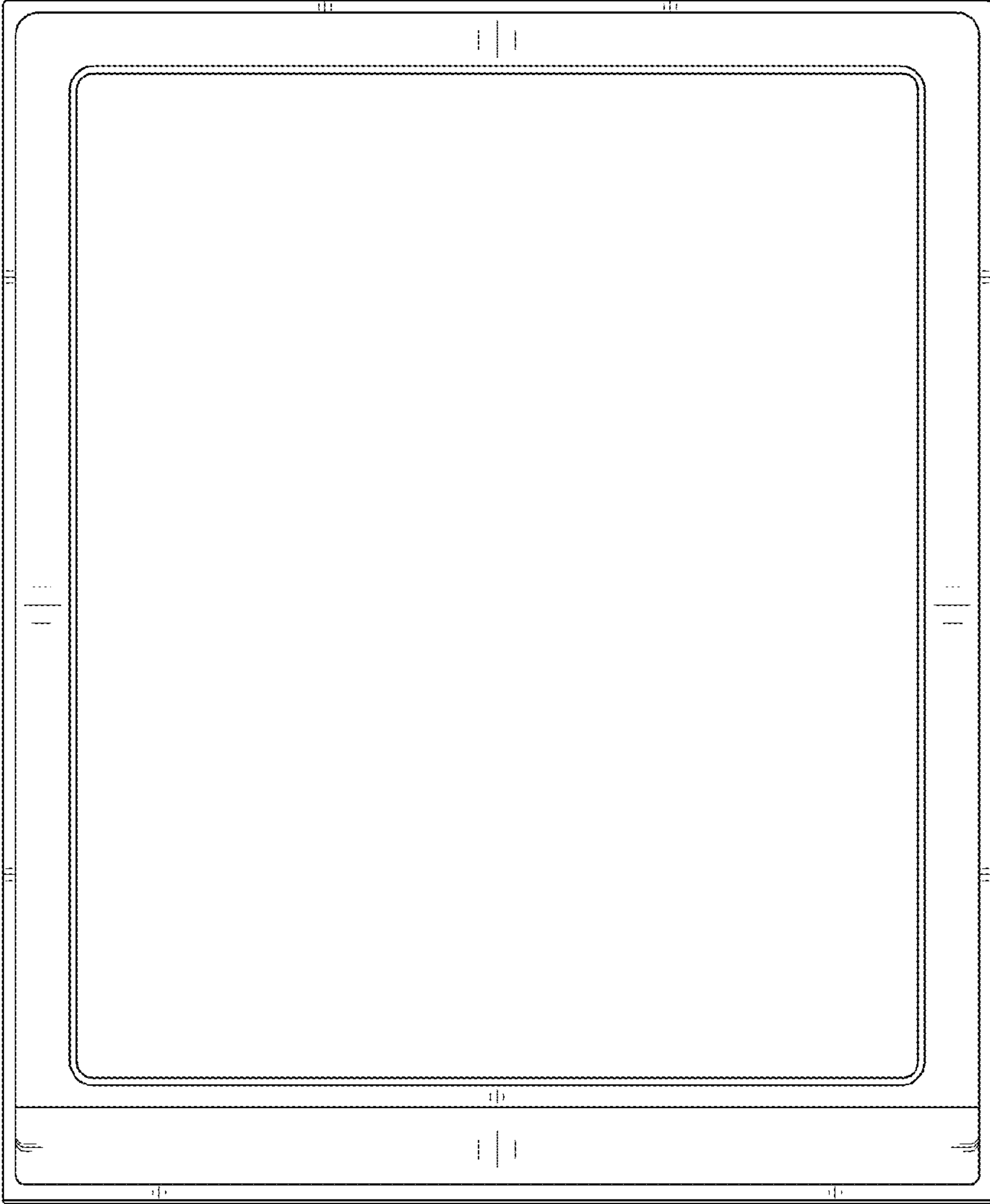


FIG. 7

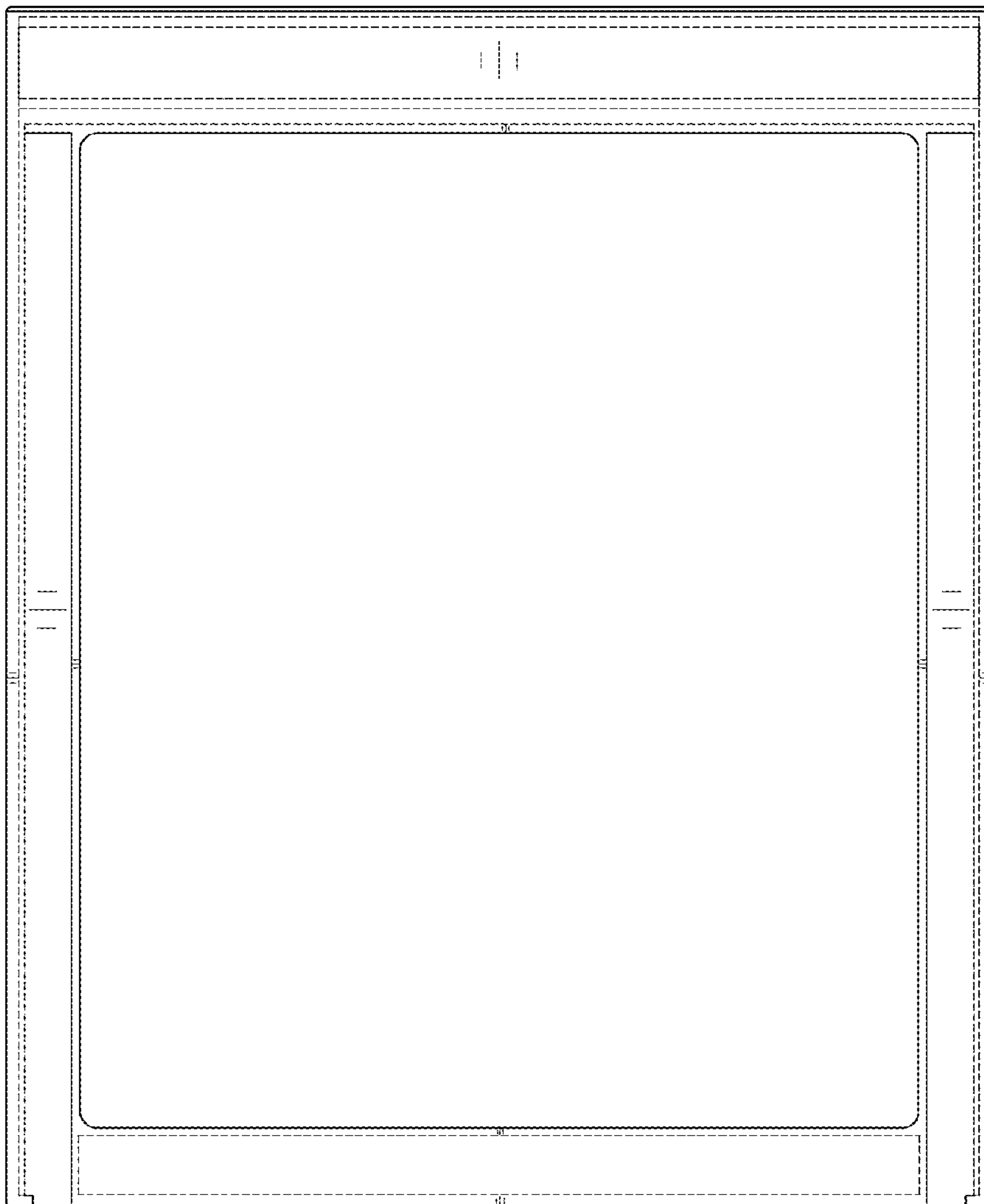


FIG. 8

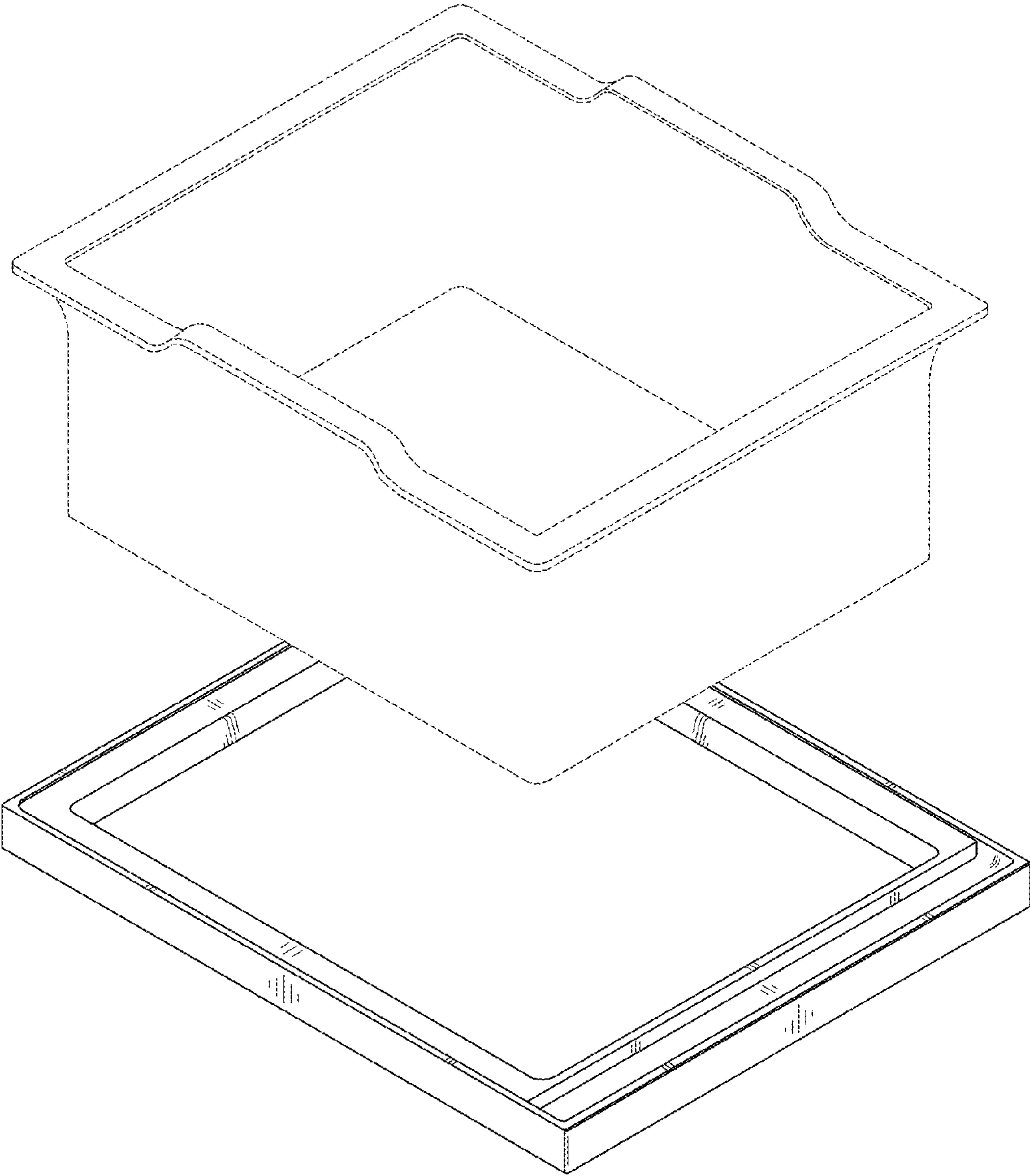


FIG. 9

