



US00D777806S

(12) **United States Design Patent**  
**Novak**

(10) **Patent No.:** **US D777,806 S**  
(45) **Date of Patent:** **\*\* Jan. 31, 2017**

- (54) **LOOM**
- (71) Applicant: **Authentic Knitting Board LLC**, Fork Union, VA (US)
- (72) Inventor: **Kim Novak**, Salem, MA (US)
- (73) Assignee: **AUTHENTIC KNITTING BOARD LLC**, Fork Union, VA (US)
- (\*\*) Term: **14 Years**
- (21) Appl. No.: **29/522,534**
- (22) Filed: **Mar. 31, 2015**

D635,594 S *	4/2011	Novak	.....	D15/78
D707,732 S *	6/2014	Crorey	.....	D15/66
D711,931 S *	8/2014	Daftari	.....	D15/66
D721,744 S *	1/2015	Daftari	.....	D15/66
D732,582 S *	6/2015	Verona	.....	D15/66
D737,340 S *	8/2015	Shirai	.....	D15/66
D737,341 S *	8/2015	Shirai	.....	D15/66
D745,900 S *	12/2015	Novak	.....	D15/66
D748,158 S *	1/2016	Ng	.....	D15/66
D748,159 S *	1/2016	Ng	.....	D15/66
D748,687 S *	2/2016	Crorey	.....	D15/66
D751,124 S *	3/2016	Miller	.....	D15/66
2008/0156043 A1 *	7/2008	Gustin	.....	D04B 5/00 66/4
2008/0223083 A1 *	9/2008	Gustin	.....	D04B 5/00 66/1 A

(Continued)

**Related U.S. Application Data**

- (63) Continuation-in-part of application No. 29/511,538, filed on Dec. 11, 2014, now Pat. No. Des. 745,900.
- (51) **LOC (10) Cl.** ..... **15-06**
- (52) **U.S. Cl.**  
USPC ..... **D15/66**
- (58) **Field of Classification Search**  
USPC ..... D15/66, 78  
CPC ..... D04B 5/00; D04B 39/00; D03D 29/00  
See application file for complete search history.

**References Cited**

**U.S. PATENT DOCUMENTS**

3,672,679 A *	6/1972	Burns	.....	A63F 3/00097 273/260
3,678,709 A *	7/1972	Nowicki	.....	D04B 39/00 66/4
4,023,245 A *	5/1977	Zaltzman	.....	D03D 29/00 28/152
4,248,063 A *	2/1981	Wang	.....	D04B 3/00 66/4
D563,997 S *	3/2008	Gustin	.....	D15/78

*Primary Examiner* — Mitchell Siegel

(74) *Attorney, Agent, or Firm* — Nixon & Vanderhye P.C.

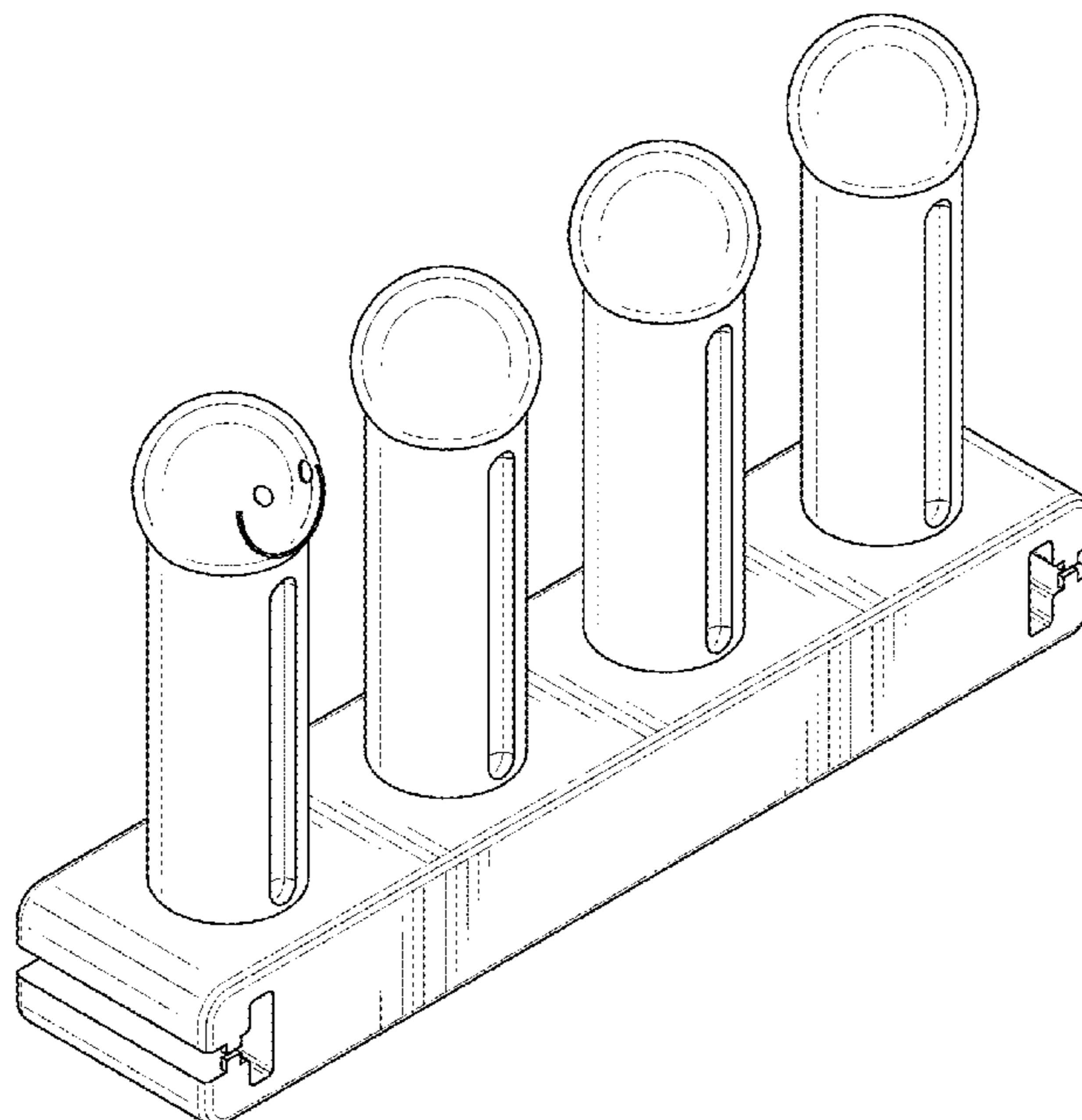
(57) **CLAIM**

The ornamental design for a loom, as shown and described.

**DESCRIPTION**

FIG. 1 is a front perspective view of a loom showing an embodiment according to my new ornamental design;  
 FIG. 2 is a top view thereof;  
 FIG. 3 is a bottom view thereof;  
 FIG. 4 is a front view thereof;  
 FIG. 5 is a rear view thereof;  
 FIG. 6 is a left side view thereof;  
 FIG. 7 is a right side view thereof;  
 FIG. 8 is a rear perspective view thereof; and,  
 FIG. 9 is a perspective view of a loom showing an embodiment according to my new ornamental design.  
 The broken lines represent environment or structure and do not form a portion of the claimed design.

**1 Claim, 5 Drawing Sheets**



(56)

**References Cited**

U.S. PATENT DOCUMENTS

2009/0215013 A1\* 8/2009 Molin ..... G09B 19/02  
434/191  
2011/0259465 A1\* 10/2011 Schaub ..... D03D 29/00  
139/29  
2012/0047960 A1\* 3/2012 Sasur ..... D04B 5/00  
66/1 A

\* cited by examiner

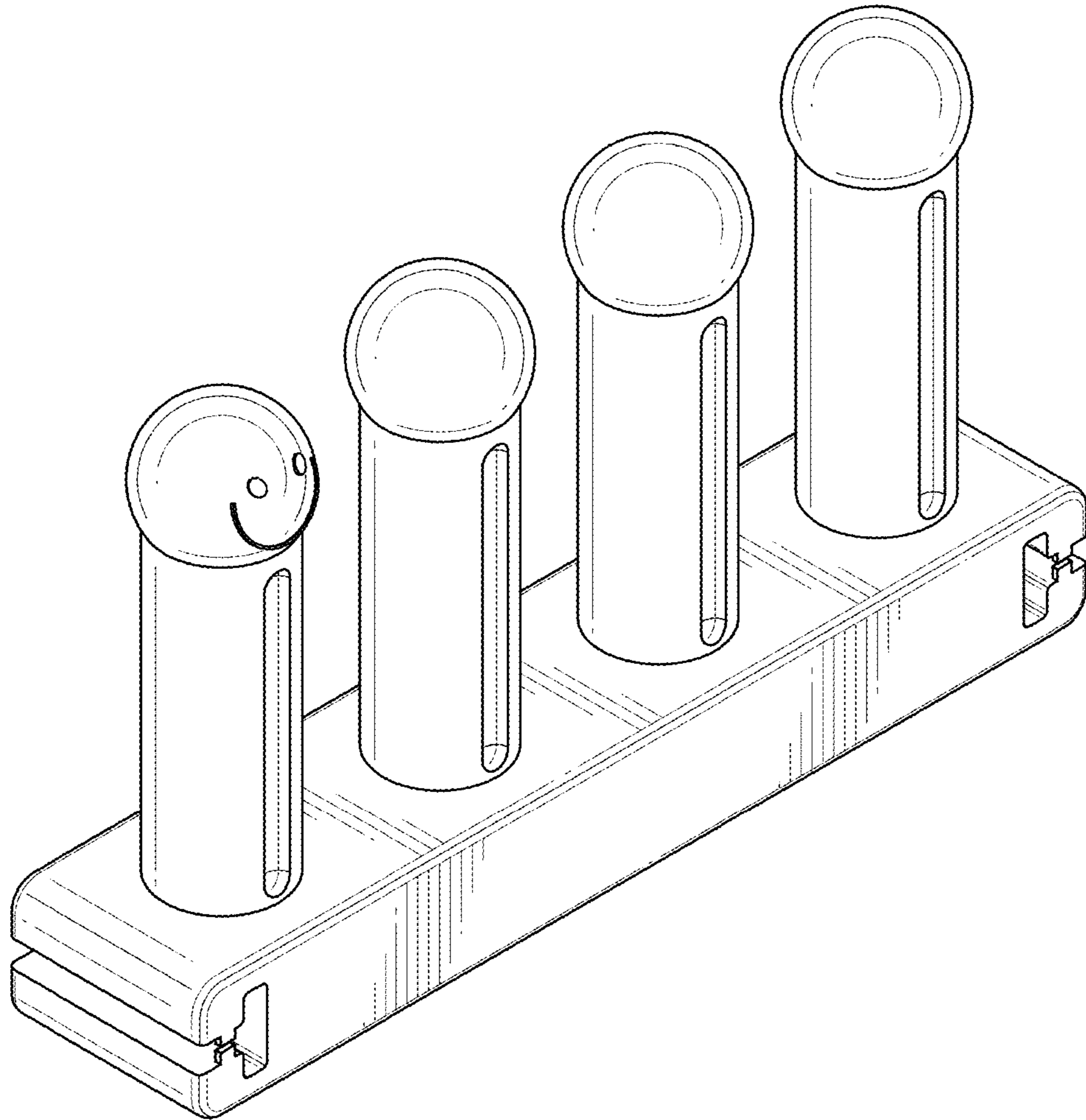


FIG. 1

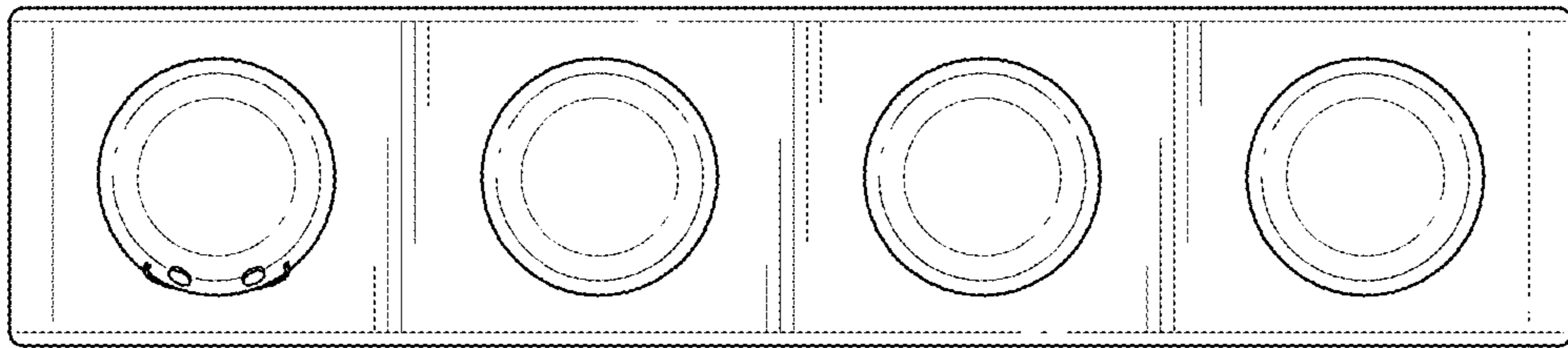


FIG. 2

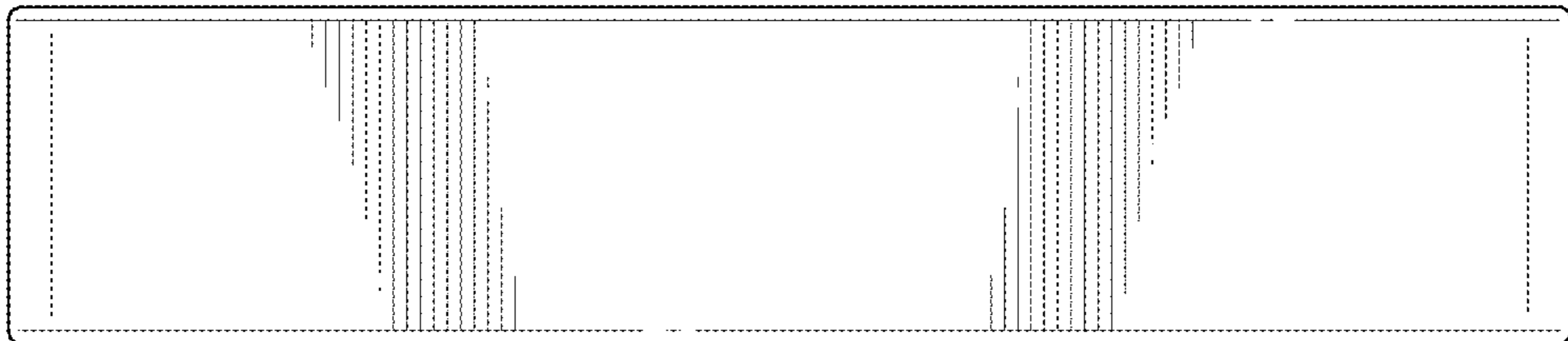


FIG. 3

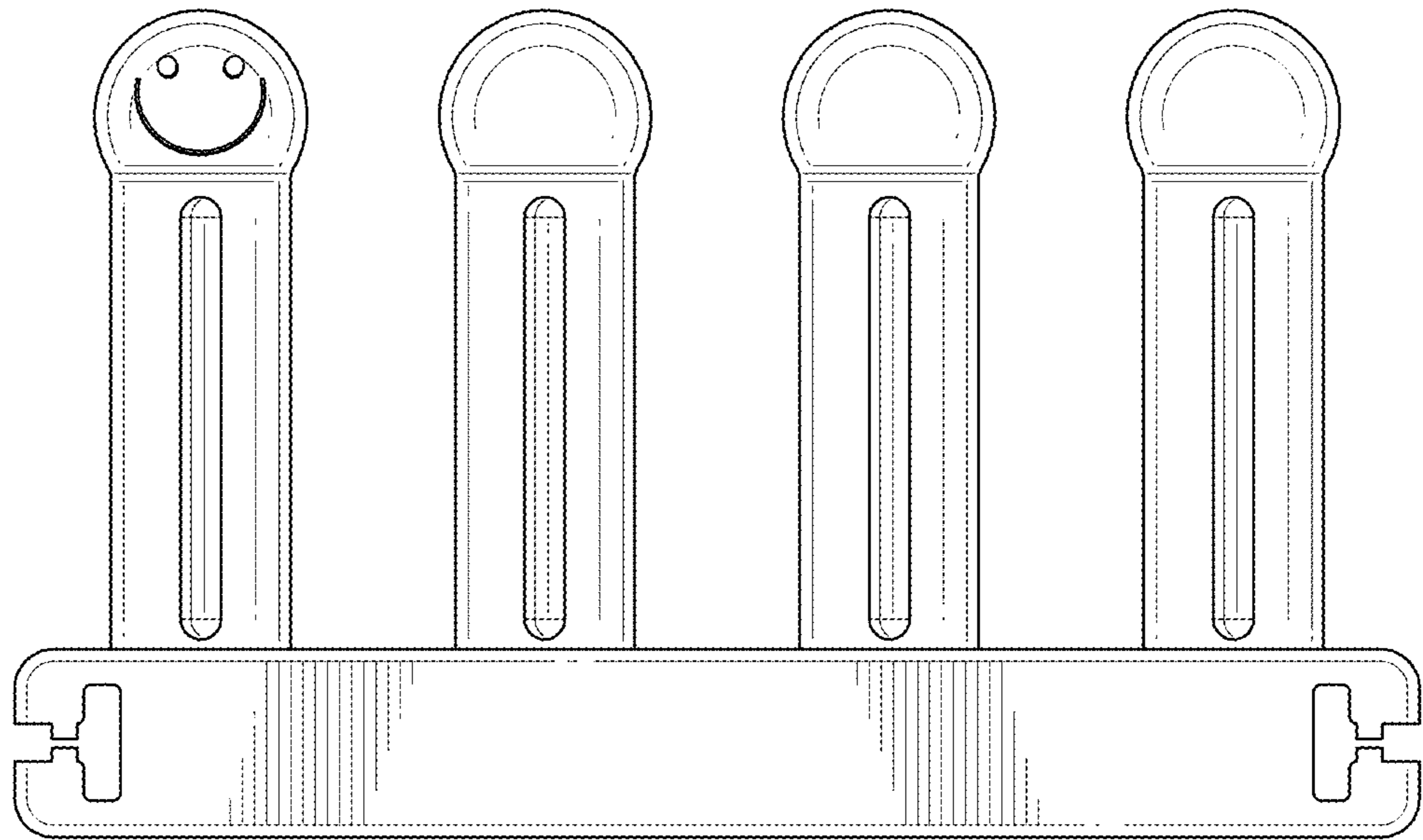


FIG. 4

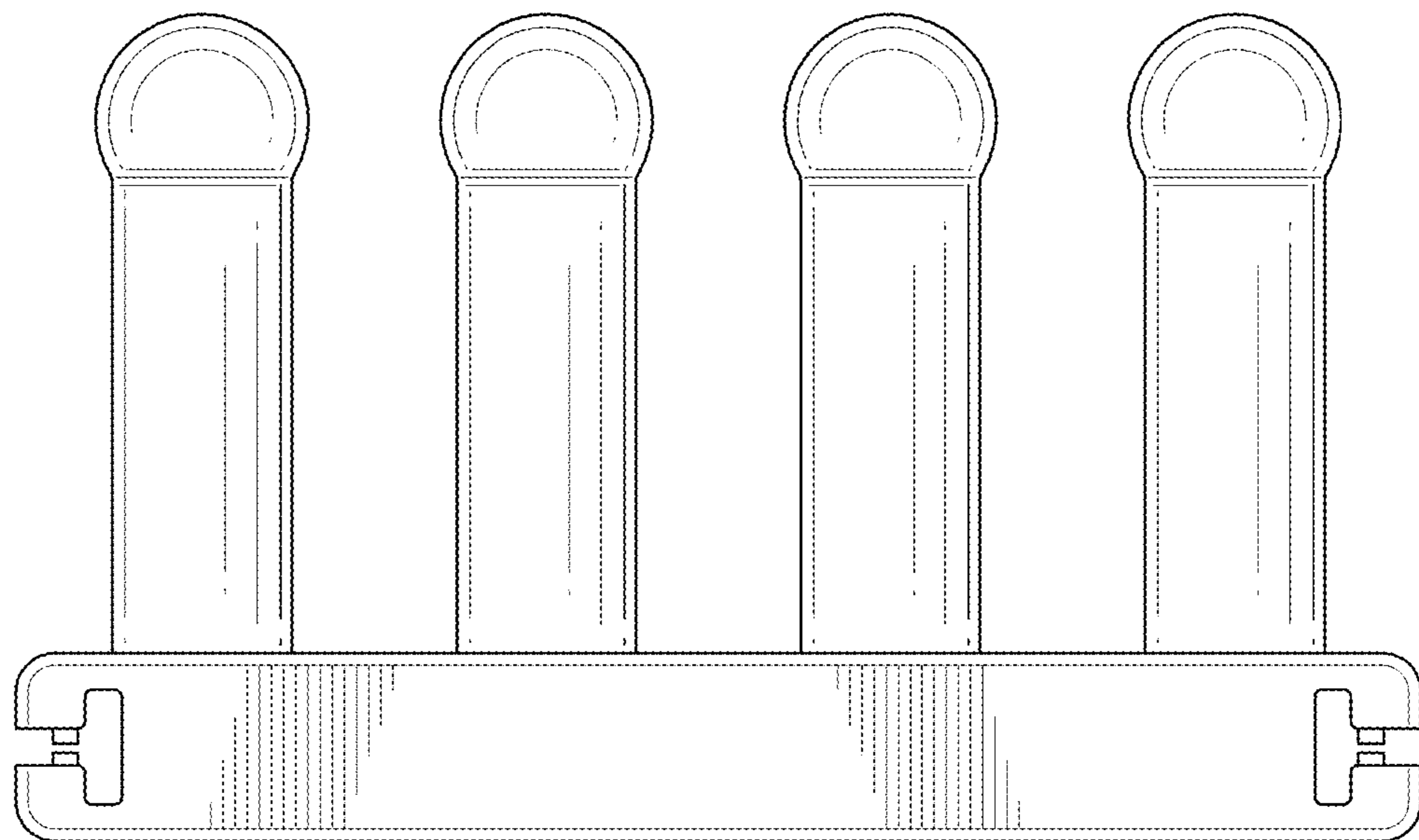


FIG. 5

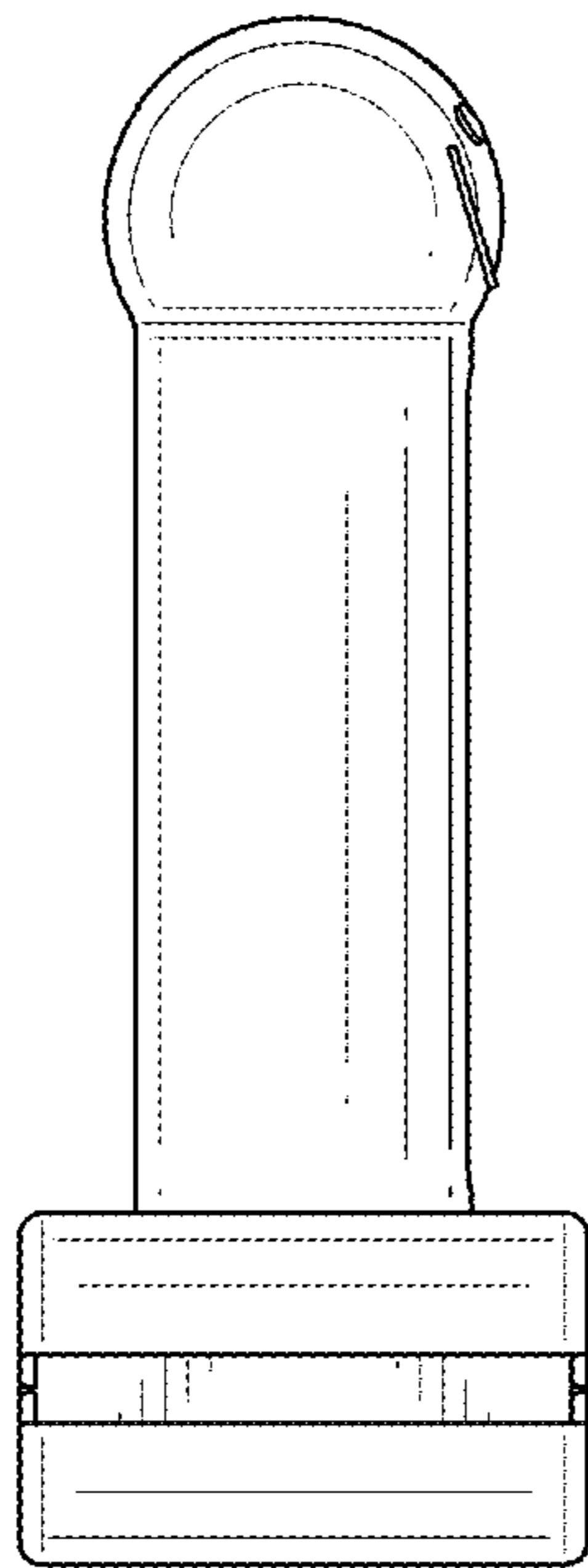


FIG. 6

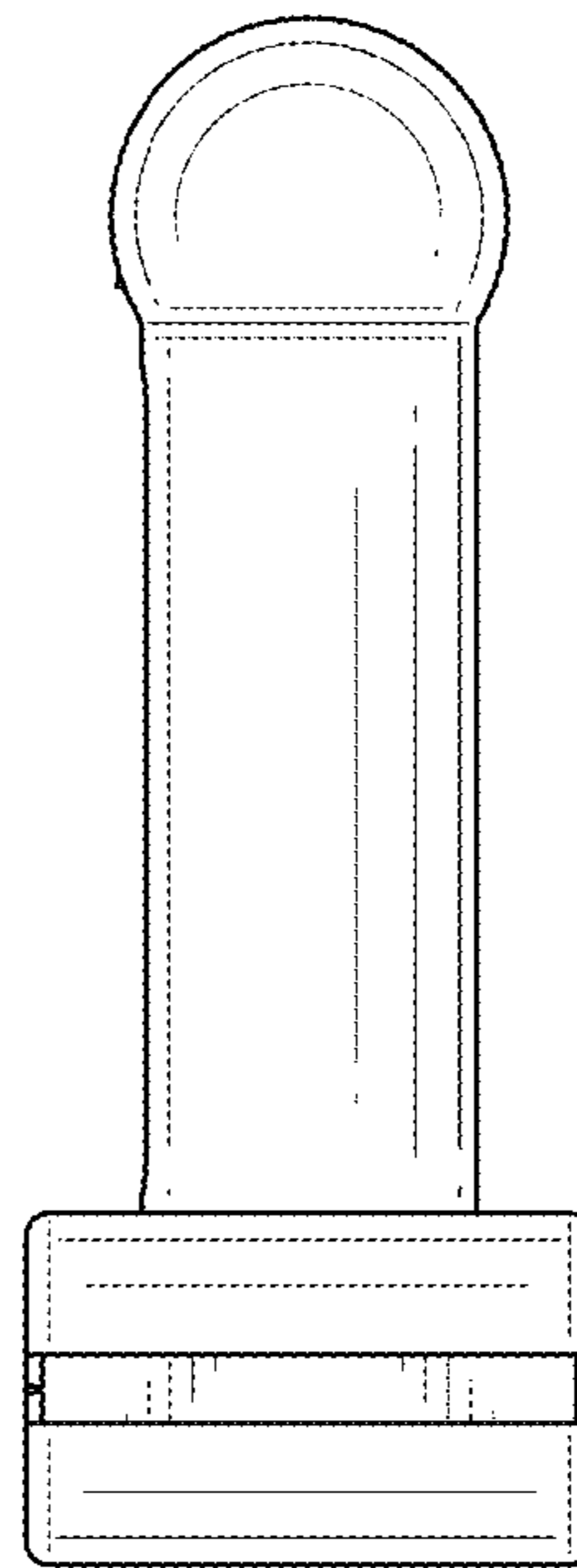


FIG. 7

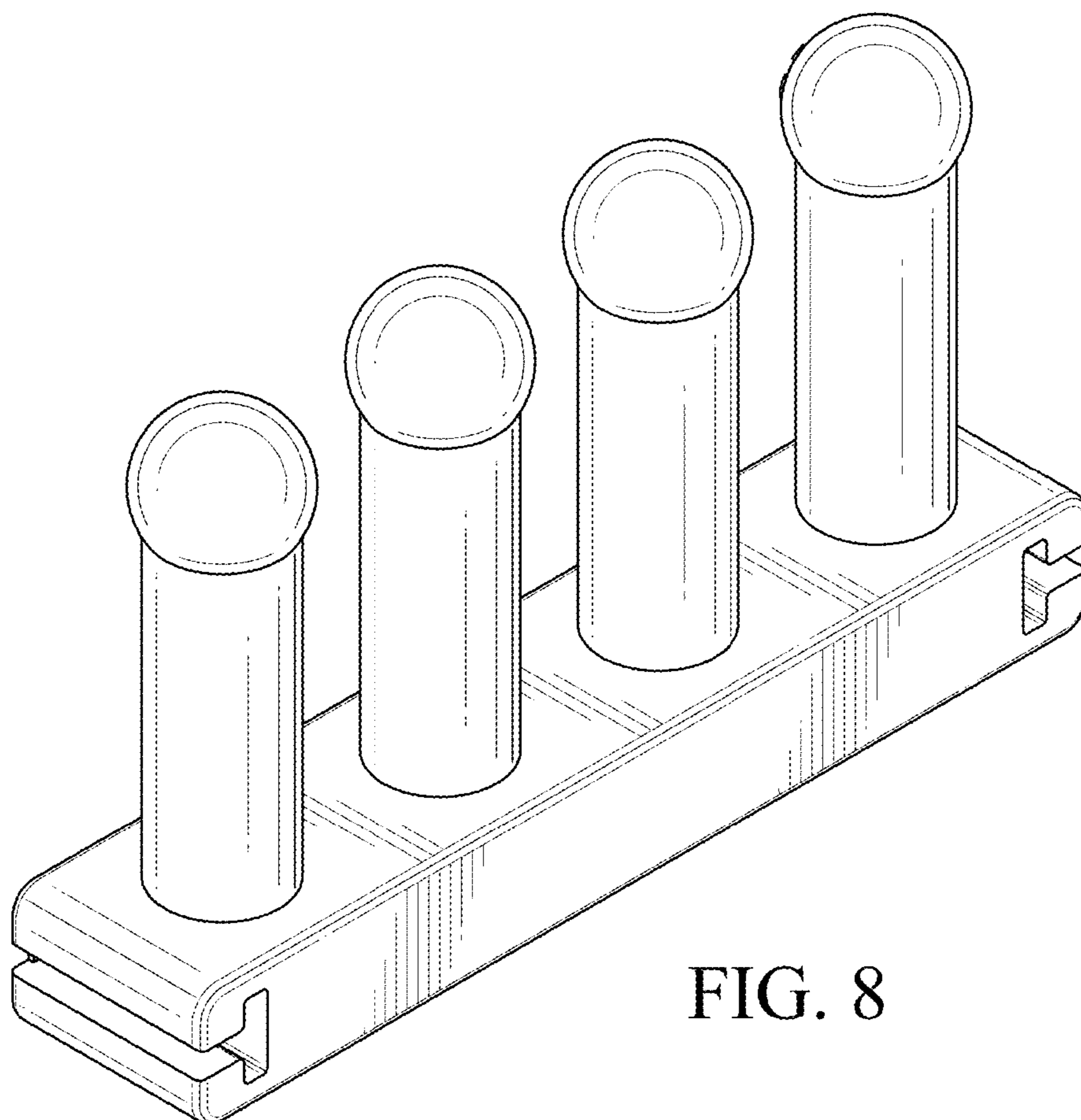


FIG. 8

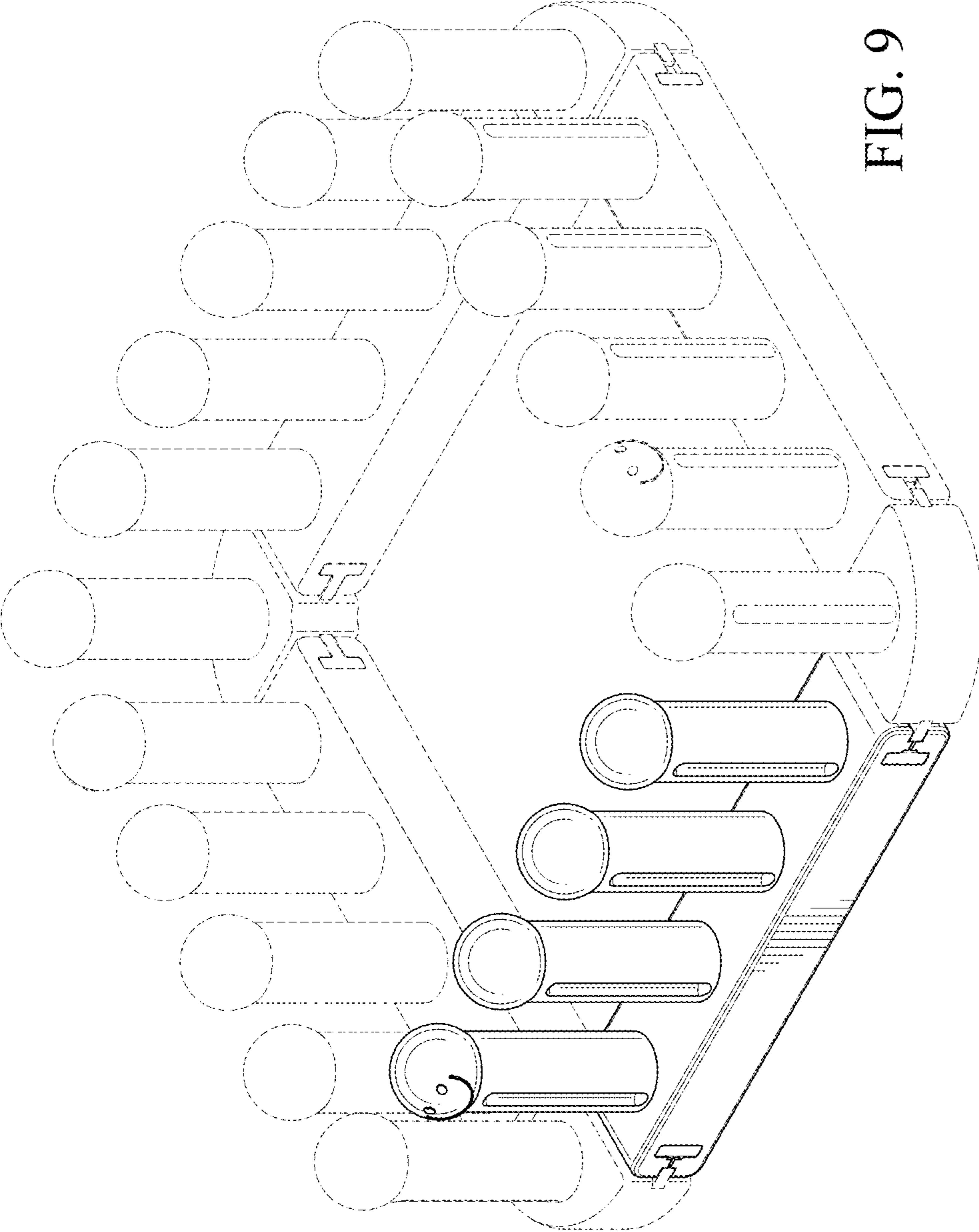


FIG. 9