



US00D777805S

(12) **United States Design Patent** (10) **Patent No.:** **US D777,805 S**
Steinhardt et al. (45) **Date of Patent:** **** Jan. 31, 2017**

- (54) **CAB FOR MINING MACHINE**
- (71) Applicant: **Harnischfeger Technologies, Inc.**,
Wilmington, DE (US)
- (72) Inventors: **Tyler M. Steinhardt**, Grafton, WI
(US); **Joseph J. Colwell**, Hubertus, WI
(US); **Dan De Lay**, Muskego, WI (US);
Ryan M. Boyd, West Bend, WI (US);
Rikos A. Kasim, Mukwonago, WI (US)
- (73) Assignee: **Harnischfeger Technologies, Inc.**,
Wilmington, DE (US)
- (**) Term: **15 Years**
- (21) Appl. No.: **29/568,009**
- (22) Filed: **Jun. 14, 2016**

- D433,689 S 11/2000 Kraft et al.
- D436,605 S 1/2001 Shaw et al.
- D481,044 S 10/2003 Tokach et al.
- D494,986 S 8/2004 Tokach et al.
- D523,029 S 6/2006 Crawford et al.
- D523,875 S 6/2006 Kim
- D538,305 S 3/2007 Smith et al.
- D548,753 S 8/2007 Kim
- D555,677 S 11/2007 Kuwae et al.
- D577,040 S 9/2008 Kim
- D594,037 S 6/2009 Uemura
- D607,904 S 1/2010 Reisenauer et al.
- D607,905 S 1/2010 Reisenauer et al.

Primary Examiner — Mark Goodwin
(74) *Attorney, Agent, or Firm* — Michael Best & Friedrich LLP

Related U.S. Application Data

- (62) Division of application No. 29/510,849, filed on Dec. 3, 2014, now Pat. No. Des. 762,248.
- (51) **LOC (10) Cl.** **15-03**
- (52) **U.S. Cl.**
USPC **D15/30**
- (58) **Field of Classification Search**
USPC D15/28, 30, 31, 22-26; D34/37; 180/89.11,
180/89.12, 89.13, 89.19, 900
CPC B66C 13/54; E02F 9/16; E02F 9/163;
B62D 33/0617; B60J 7/00; B60J 1/004
See application file for complete search history.

References Cited

U.S. PATENT DOCUMENTS

- D432,144 S 10/2000 Kraft et al.
- D432,145 S 10/2000 Kraft et al.

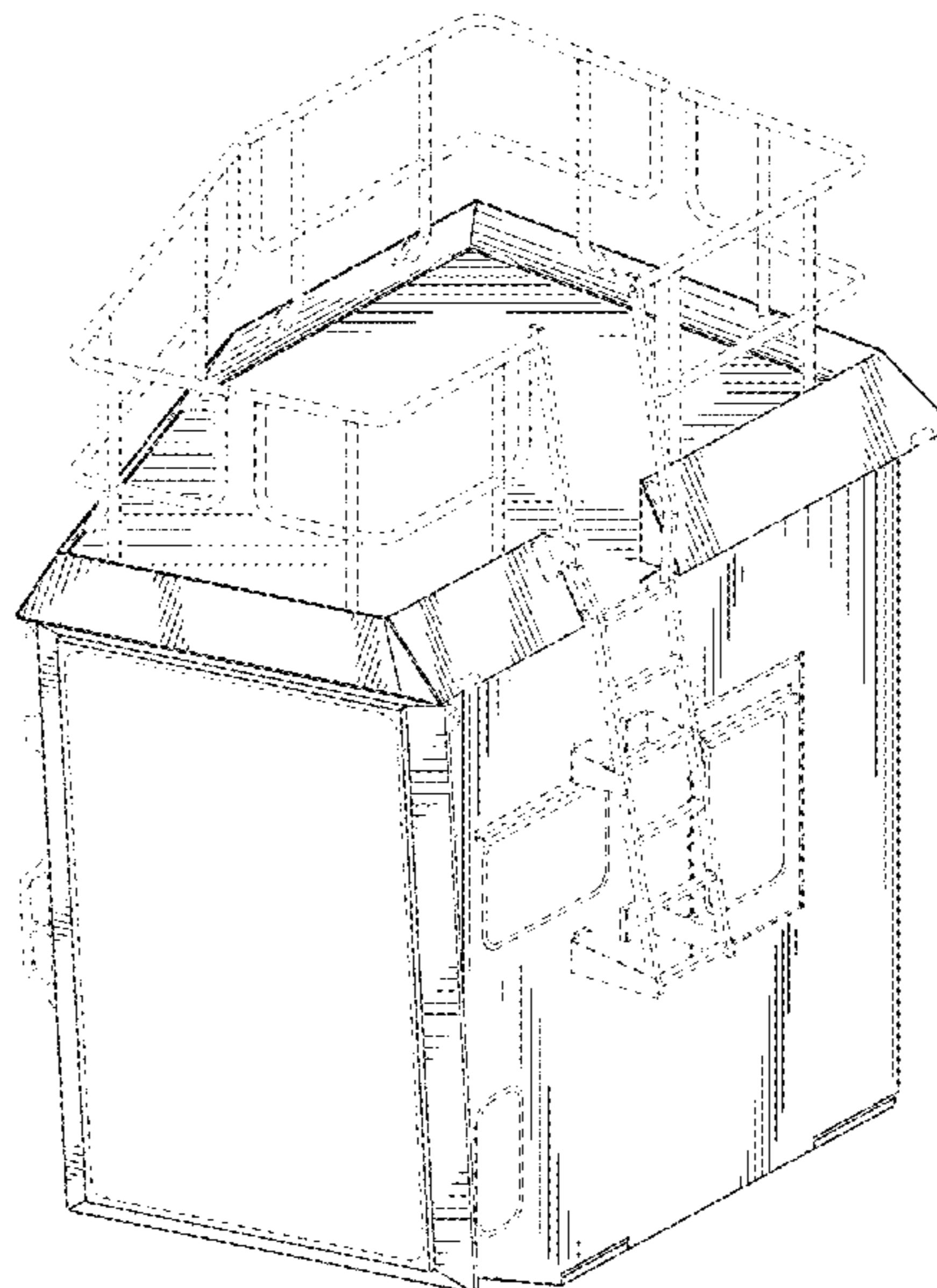
(57) **CLAIM**

The ornamental design for a cab for mining machine, as shown and described.

DESCRIPTION

FIG. 1 is a perspective view of a cab showing our new design.
FIG. 2 is a right side view of the cab shown in FIG. 1.
FIG. 3 is a left side view of the cab shown in FIG. 1.
FIG. 4 is a front view of the cab shown in FIG. 1.
FIG. 5 is a back view of the cab shown in FIG. 1.
FIG. 6 is a top view of the cab shown in FIG. 1; and,
FIG. 7 is a bottom view of the cab shown in FIG. 1.
The elements shown in broken lines are included for the purpose of illustrating environment and form no part of the claimed design.

1 Claim, 7 Drawing Sheets



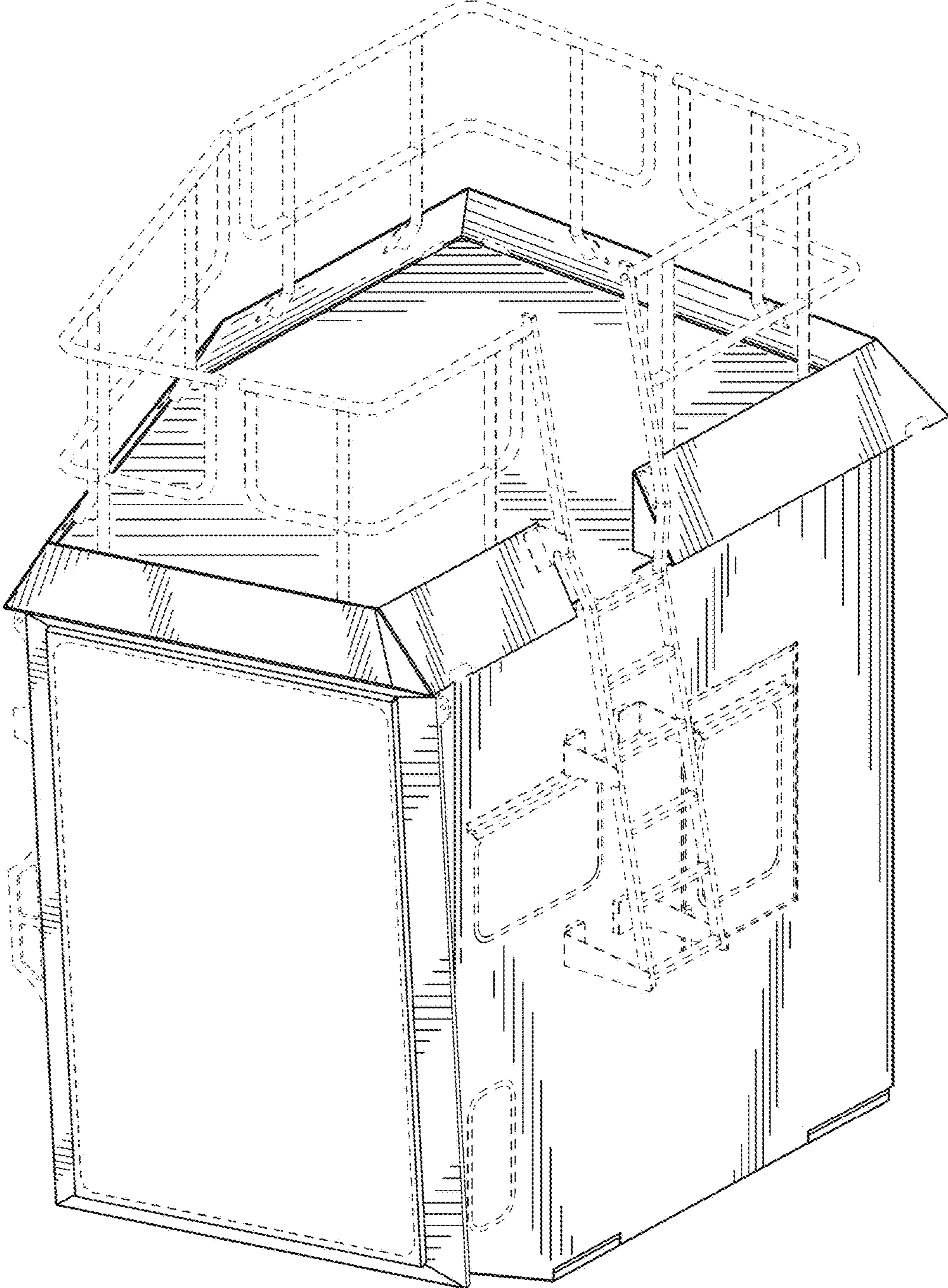


FIG. 1

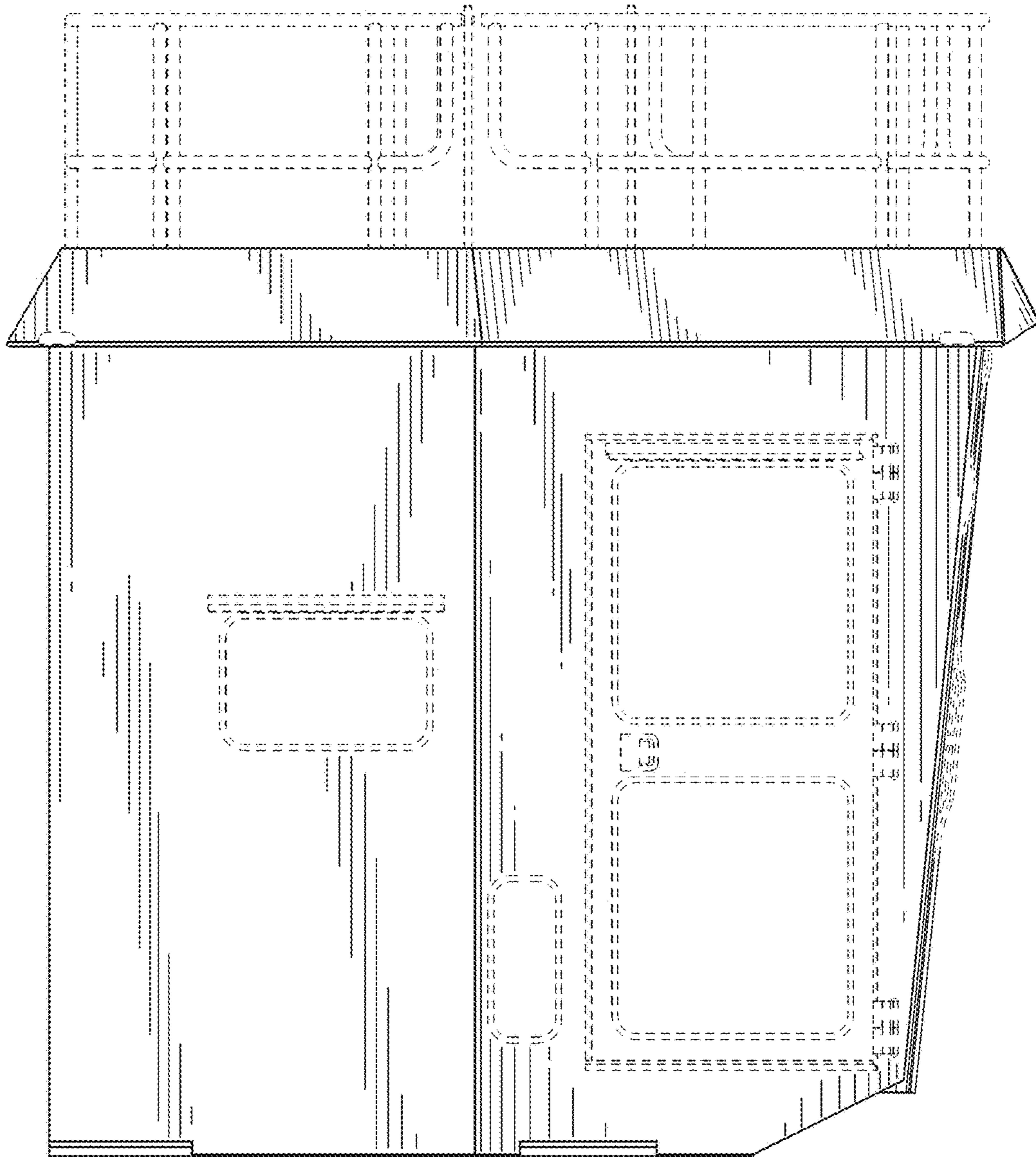


FIG. 2

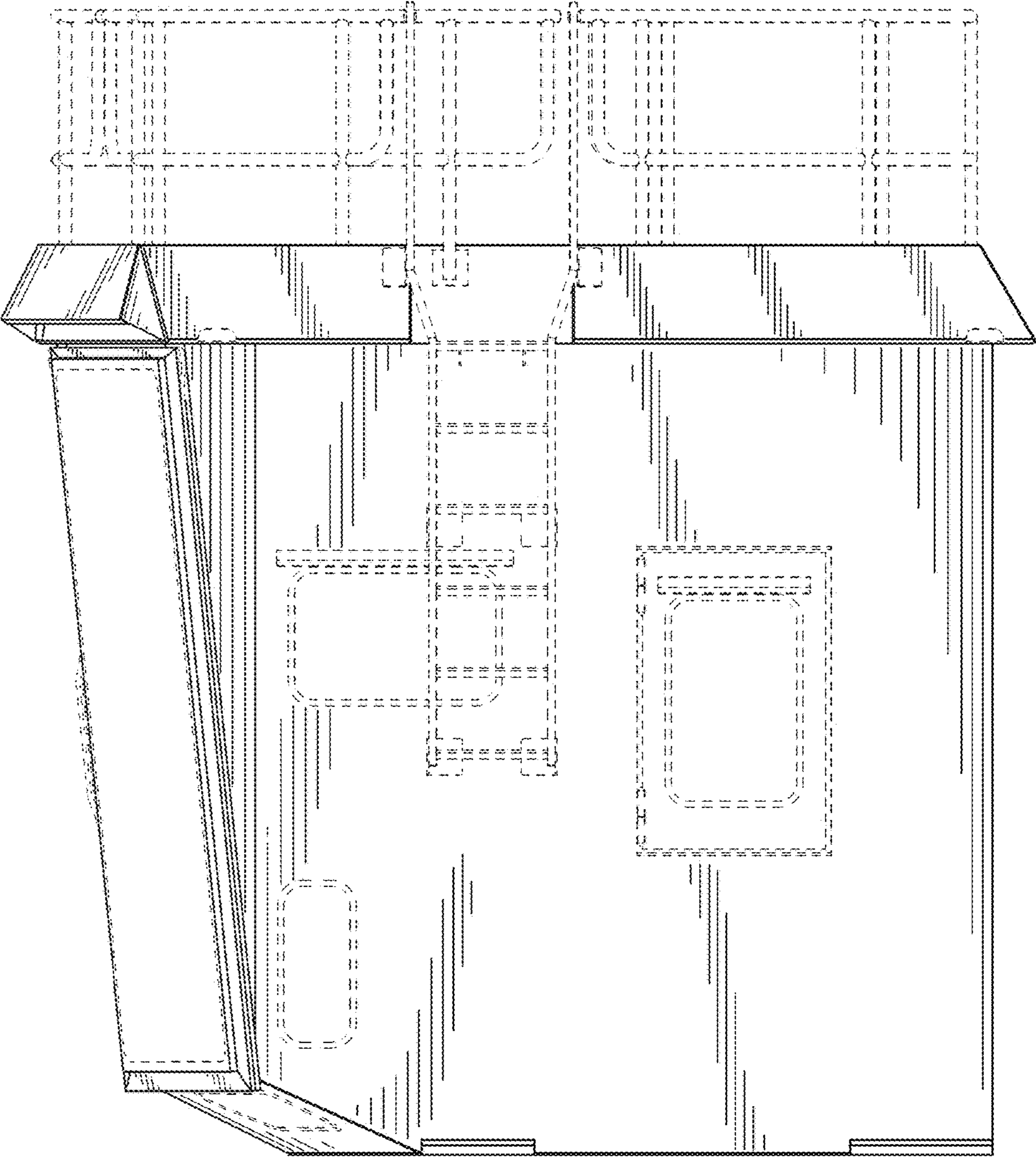


FIG. 3

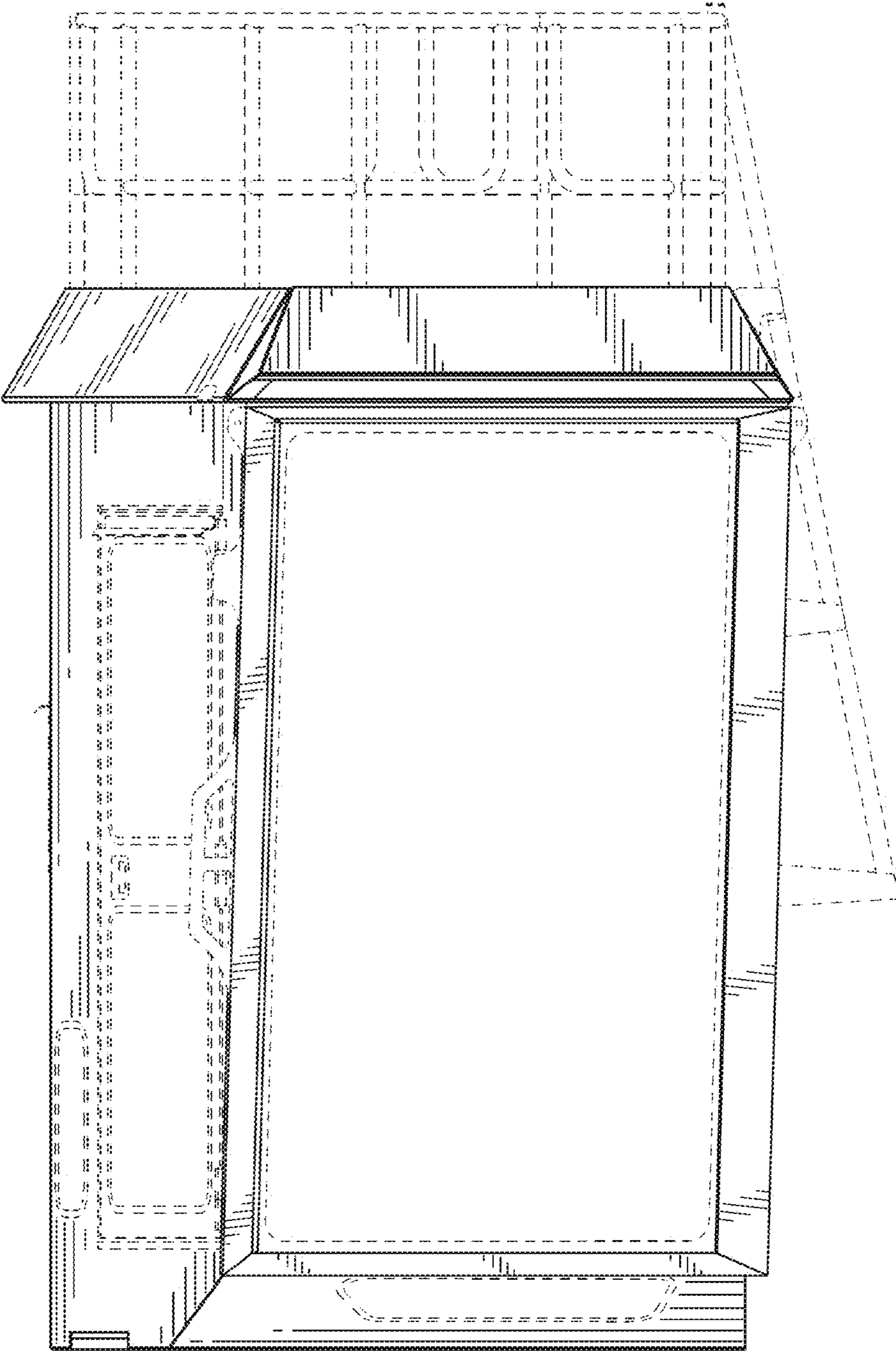


FIG. 4

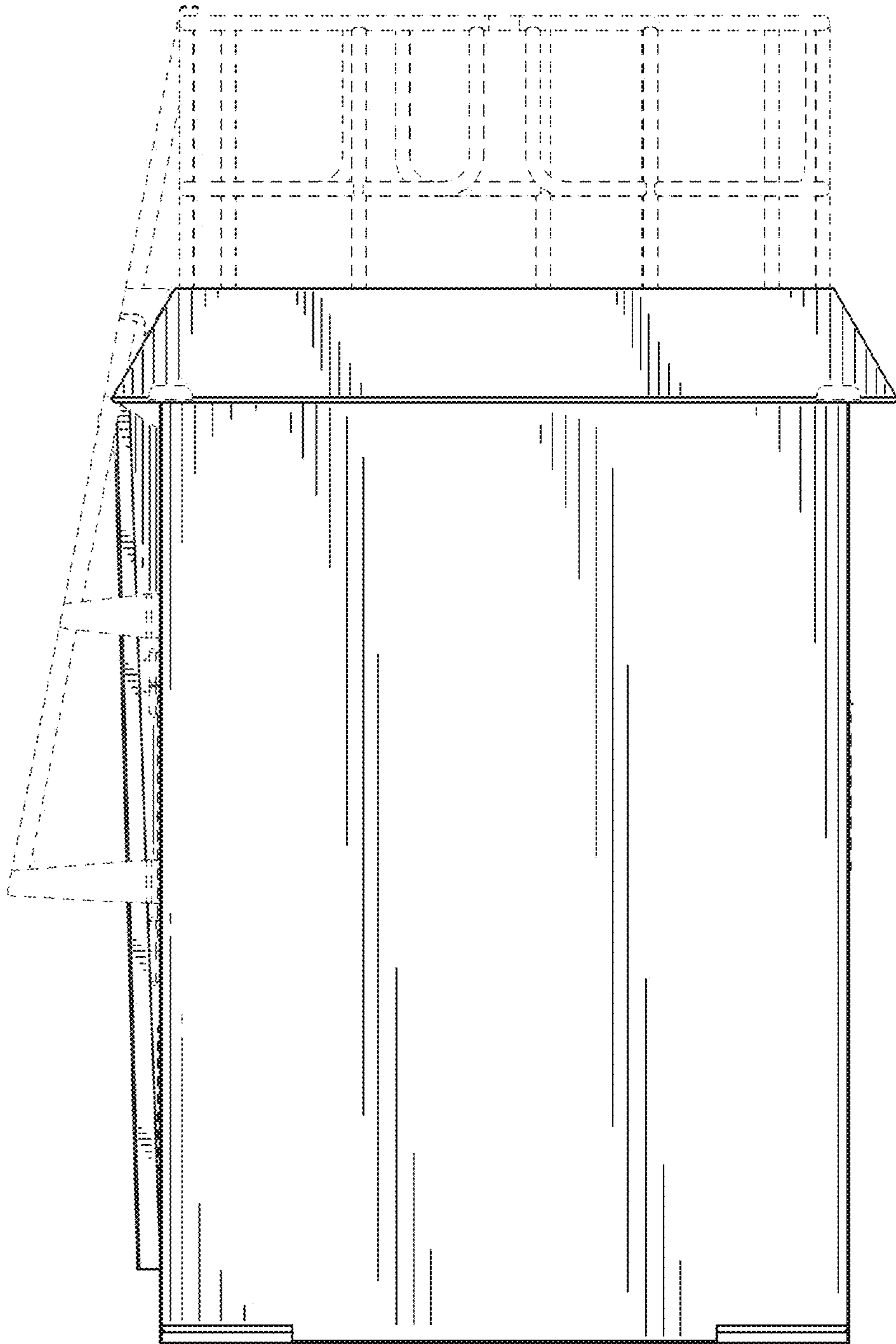


FIG. 5

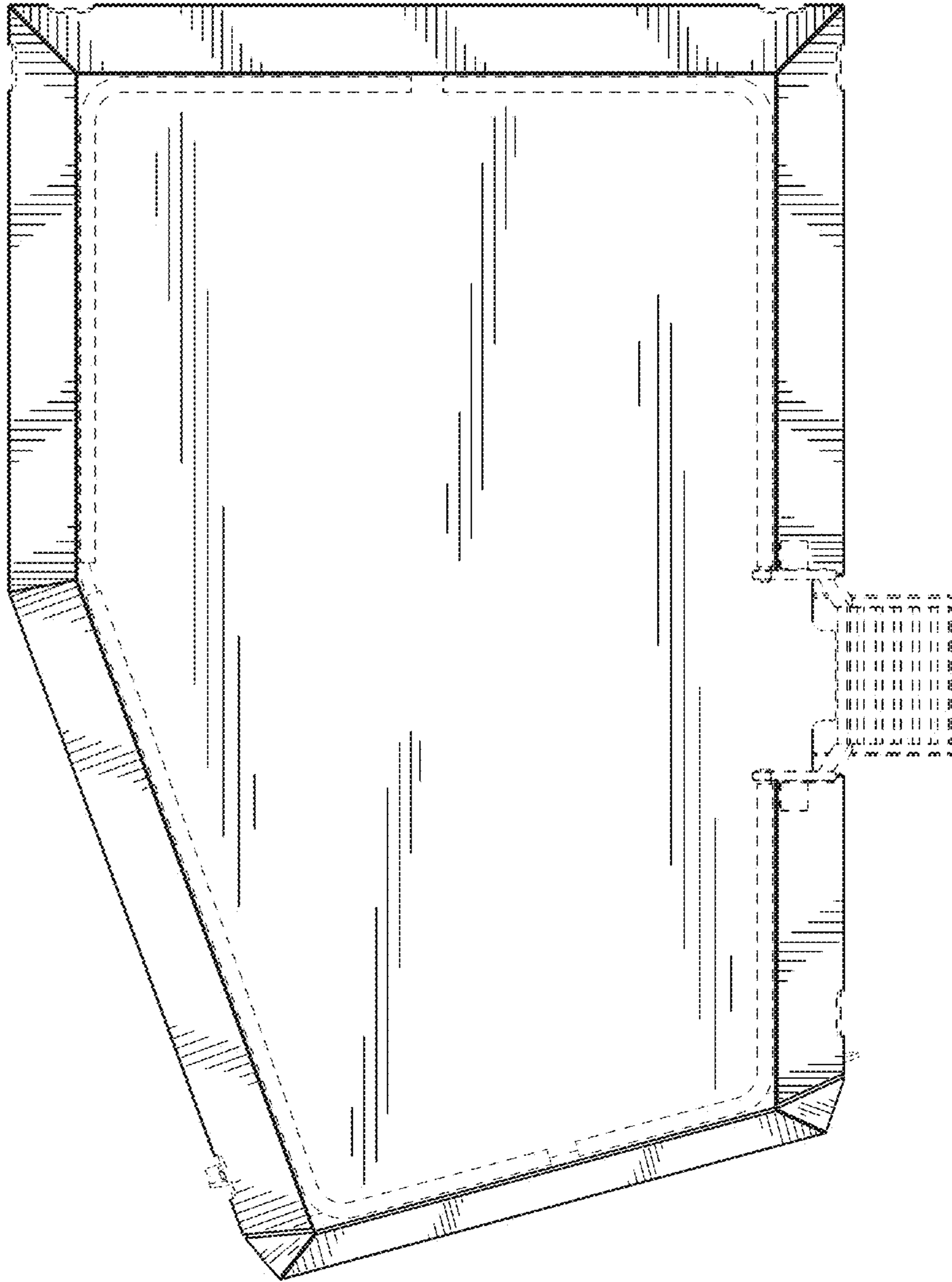


FIG. 6

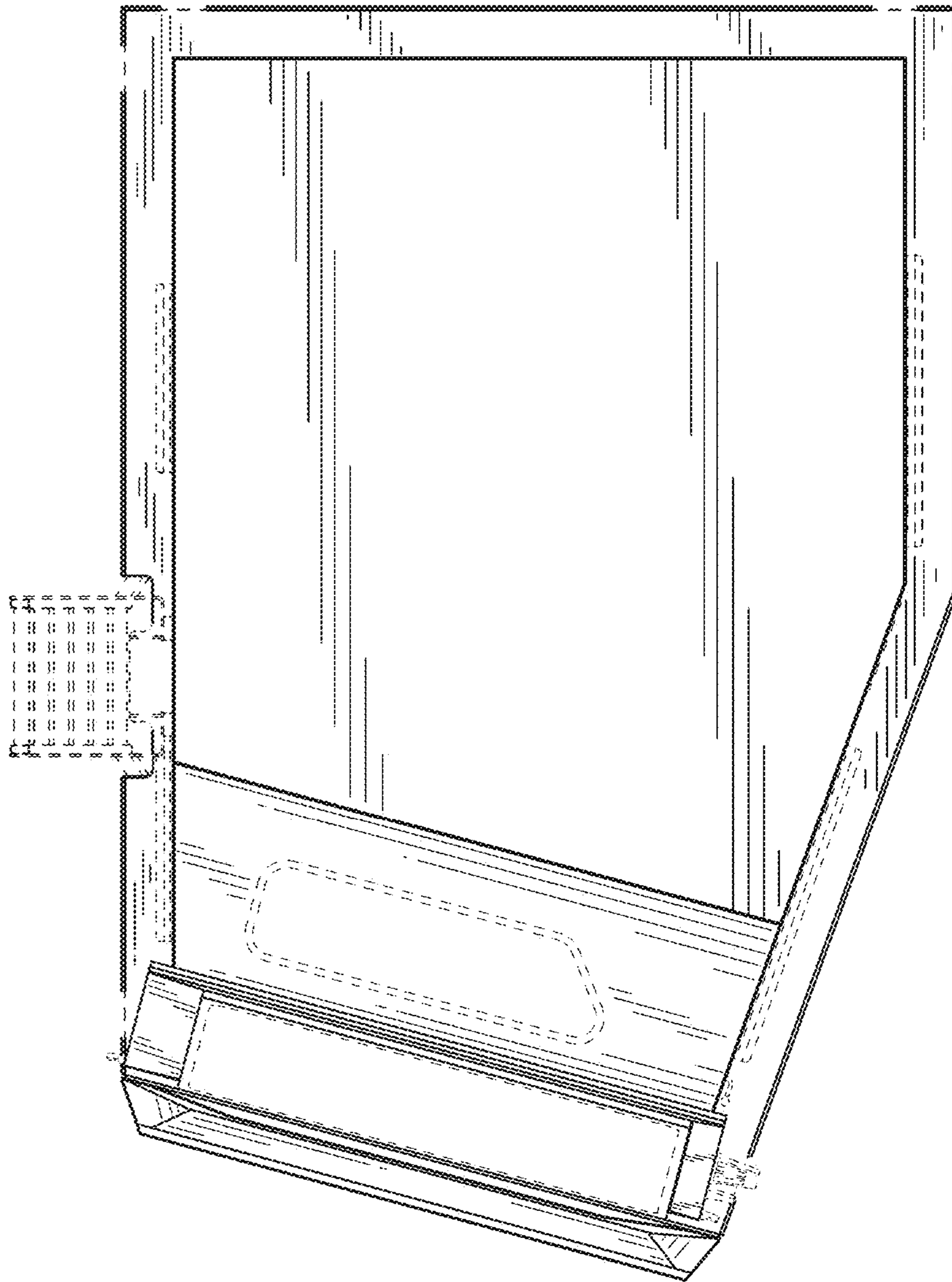


FIG. 7