



US00D777803S

(12) **United States Design Patent**
Wuisan et al.

(10) **Patent No.:** **US D777,803 S**
(45) **Date of Patent:** **** Jan. 31, 2017**

- (54) **CONTROL DEVICE**
- (71) Applicant: **Deere & Company**, Moline, IL (US)
- (72) Inventors: **Giovanni A. Wuisan**, Epworth, IA (US); **Ronald J. Huber**, Dubuque, IA (US); **Stephen Bonneau**, Dubuque, IA (US); **Jed D. Polzin**, Platteville, WI (US); **Nathan J. Horstman**, Durango, IA (US); **Leah F. Beaver**, East Dubuque, IL (US)
- (73) Assignee: **DEERE & COMPANY**, Moline, IL (US)

D526,757 S *	8/2006	Bergman	D14/415
D568,796 S *	5/2008	Oliver	D12/179
7,511,236 B2 *	3/2009	Mack	G05G 1/01 200/6 A
D598,023 S *	8/2009	Miller	D12/174
D635,155 S *	3/2011	Blind	D15/28
D656,073 S *	3/2012	Foerster	D12/179
D695,792 S *	12/2013	Jensen	D15/28
D712,807 S *	9/2014	Magana	D12/179
D725,681 S *	3/2015	Bonneau	D15/28
D744,544 S *	12/2015	Wuisan	D15/28
D749,647 S *	2/2016	Inaoka	D15/28
9,315,103 B2 *	4/2016	Yamauchi	B60K 26/02
9,342,091 B2 *	5/2016	Wuisan	G05G 1/06
D759,731 S *	6/2016	Roemer	D15/28

(Continued)

(**) Term: **15 Years**

Primary Examiner — Mark Goodwin

(21) Appl. No.: **29/543,288**

(57) **CLAIM**

(22) Filed: **Oct. 22, 2015**

The ornamental design for a control device, as shown and described.

(51) **LOC (10) Cl.** **15-03**

DESCRIPTION

(52) **U.S. Cl.**

USPC **D15/28**

(58) **Field of Classification Search**

USPC D15/11, 17, 18, 28, 142; D12/179, 174;
D14/117.4; D34/28, 34, 35; 74/471 XY,
74/475, 489, 523, 473.1; 345/161, 156,
345/163; 463/37, 38
CPC G09G 5/08; G09G 5/00; G05G 2009/0474;
G05G 2009/04777; G05G
2009/04781; G05G 9/047; G05G
9/00; G05G 1/58; G05G 1/01; G05G 1/06;
G06F 3/03543; G06F 2203/0333; Y10T
74/20201

FIG. 1 is a perspective view of a control device embodying the claimed design.

FIG. 2 is a right side view thereof.

FIG. 3 is a left side view thereof.

FIG. 4 is a rear view thereof.

FIG. 5 is a front view thereof.

FIG. 6 is a top view thereof; and,

FIG. 7 is a bottom view thereof with a portion of the environment removed to improve visibility of the control device.

See application file for complete search history.

The claimed design is shown in solid lines in the drawings. The portions of the drawings shown in broken lines form no part of the claimed design. The portions of the drawings shown in broken lines having unequal segments illustrate the boundary of the claimed design and form no part of the claimed design.

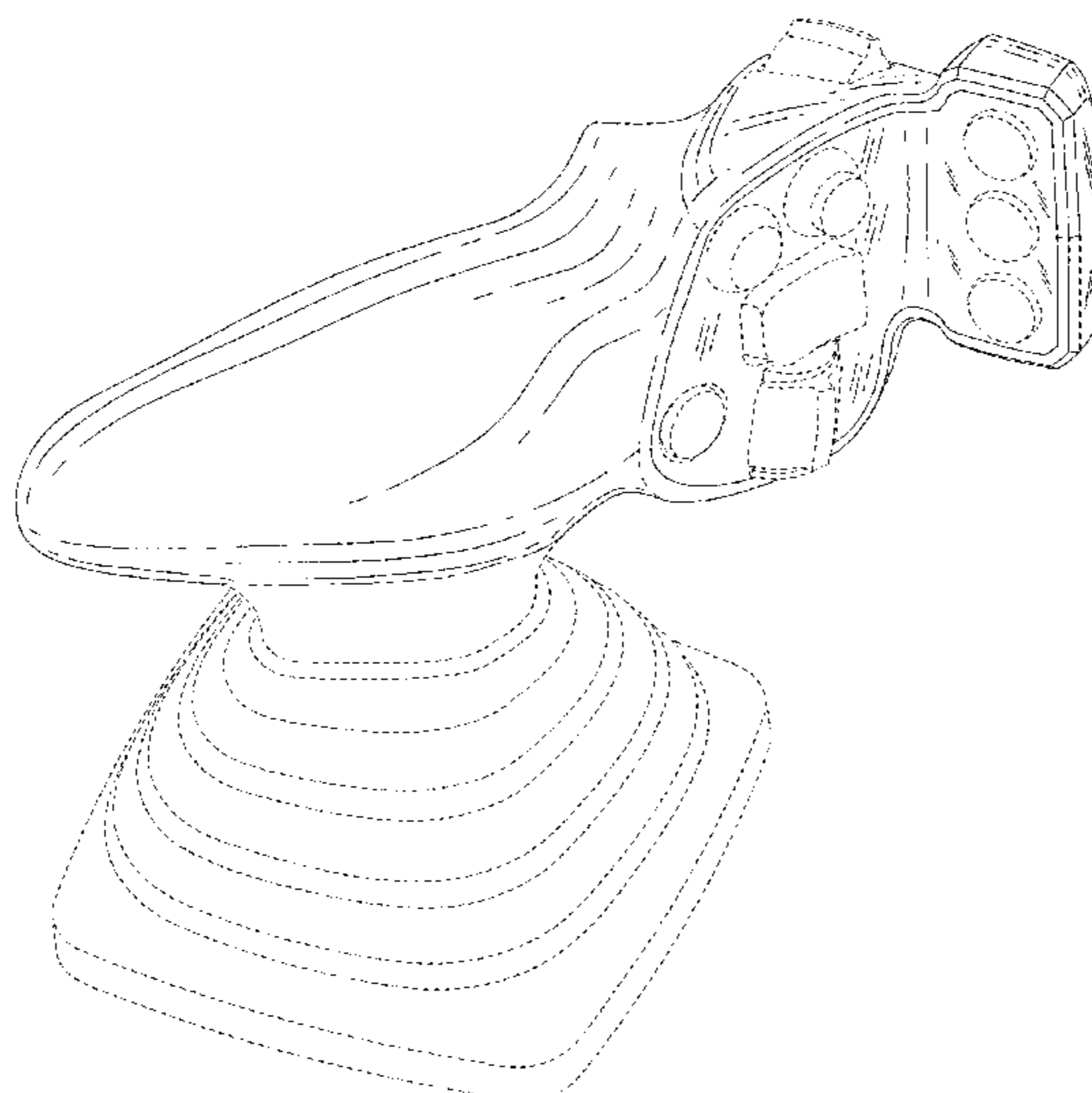
The present disclosure relates to a control device, such as a control grip for a work vehicle.

(56) **References Cited**

U.S. PATENT DOCUMENTS

D506,422 S *	6/2005	Crookes	D12/179
7,036,250 B2 *	5/2006	Dressler	E02F 9/2004 180/326

1 Claim, 7 Drawing Sheets



(56)

References Cited

U.S. PATENT DOCUMENTS

2006/0176273 A1* 8/2006 Wolfe G06F 3/0338
345/156
2008/0128253 A1* 6/2008 Mack G05G 1/01
200/5 R

* cited by examiner

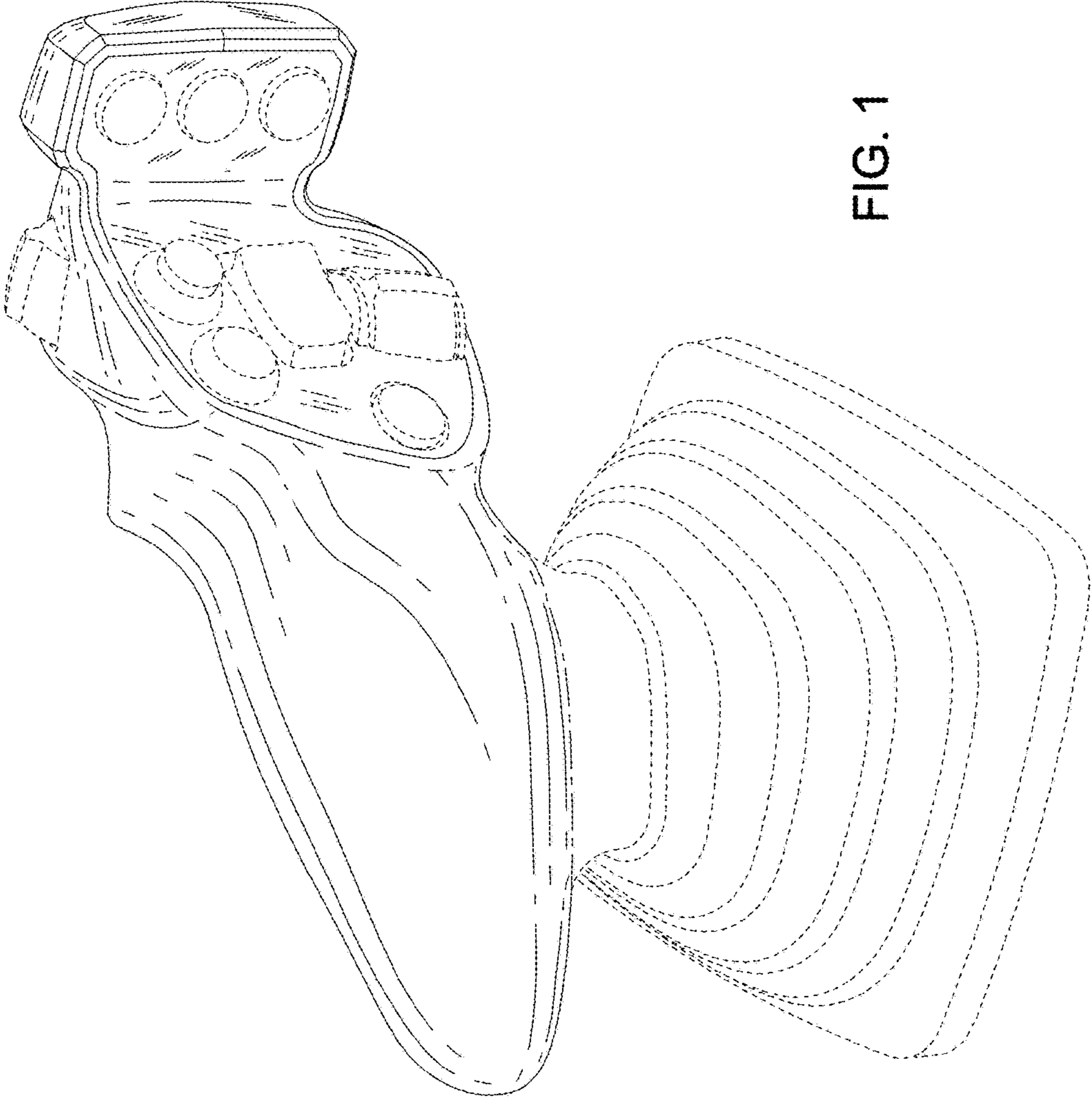


FIG. 1

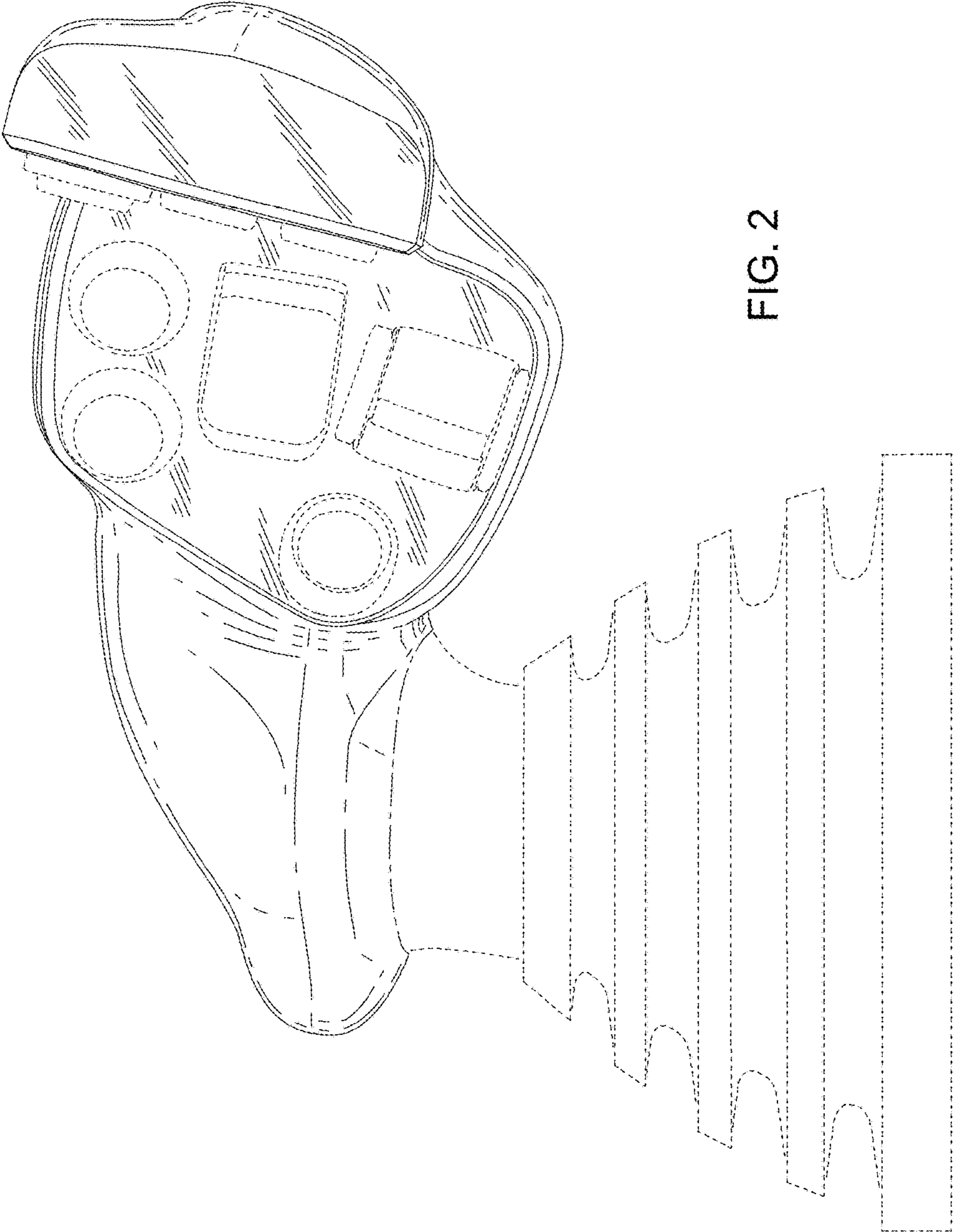


FIG. 2

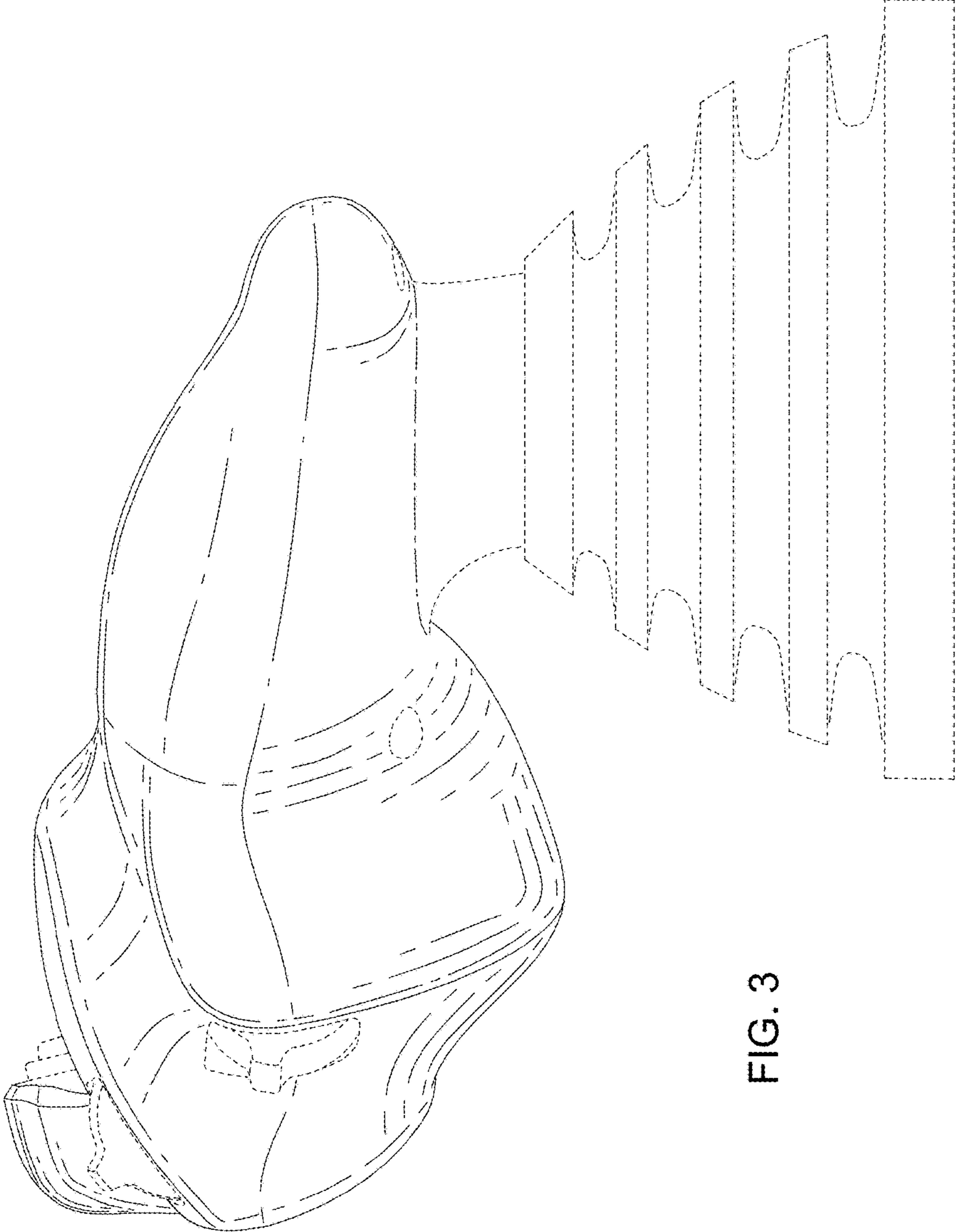


FIG. 3

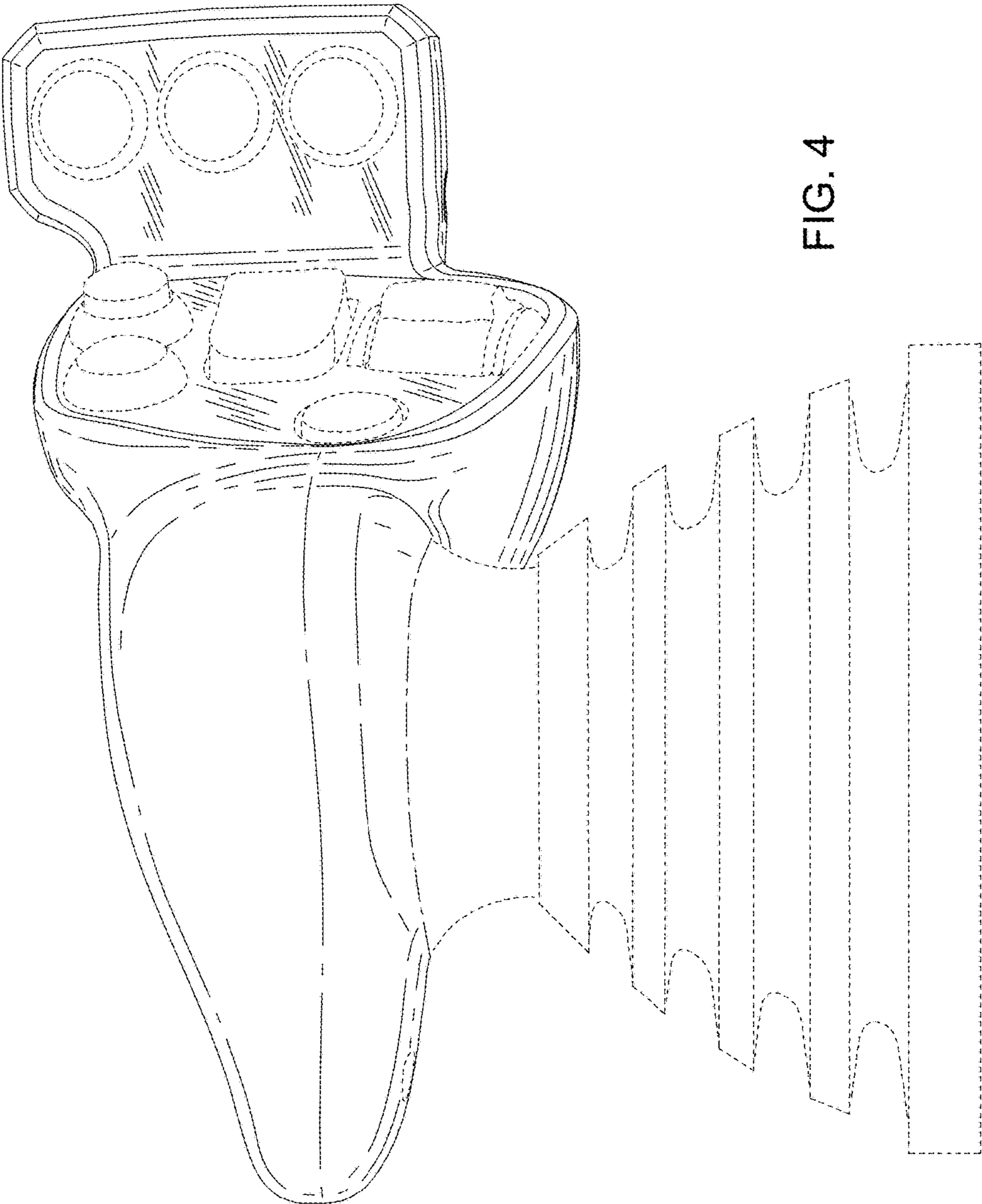


FIG. 4

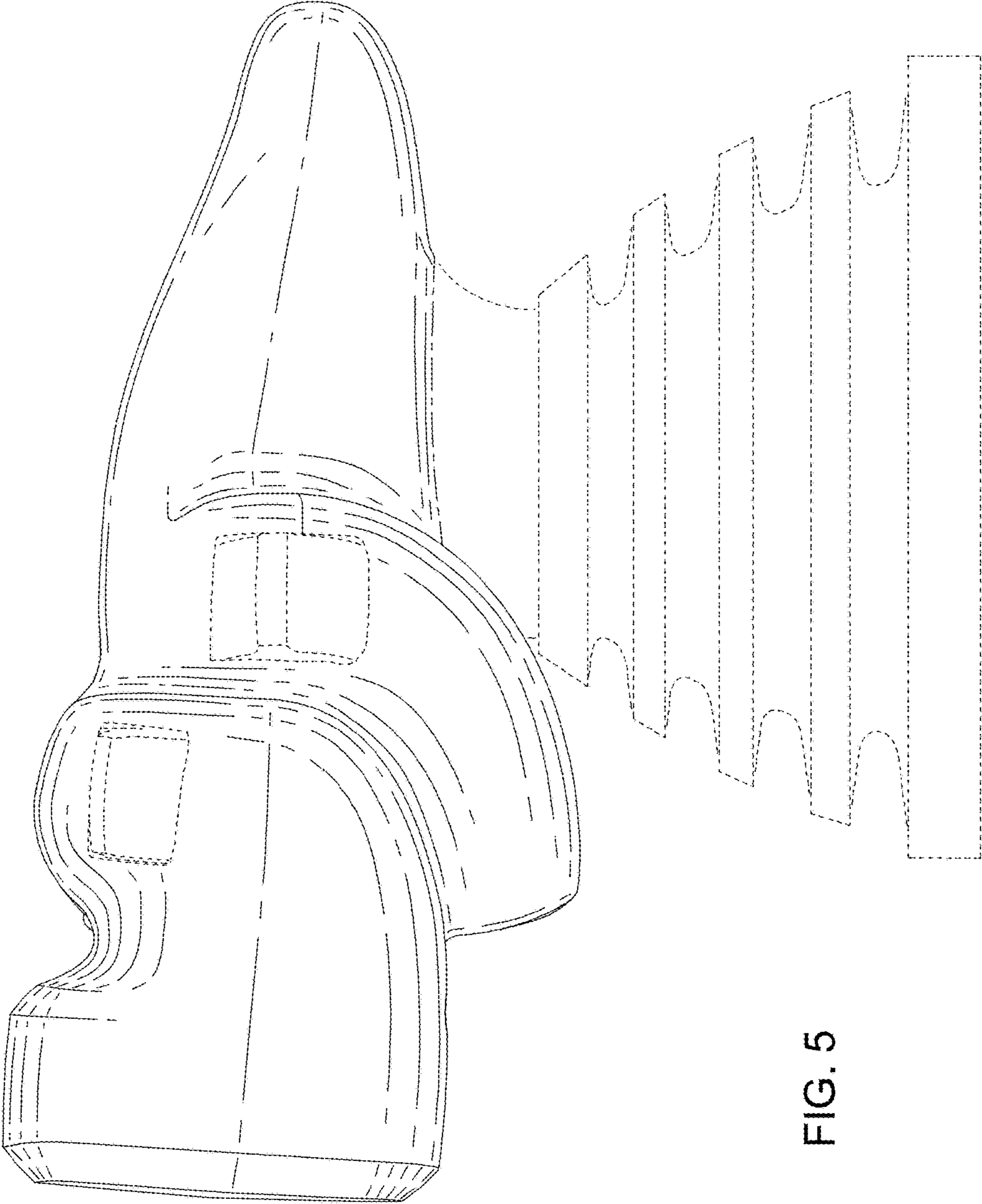


FIG. 5

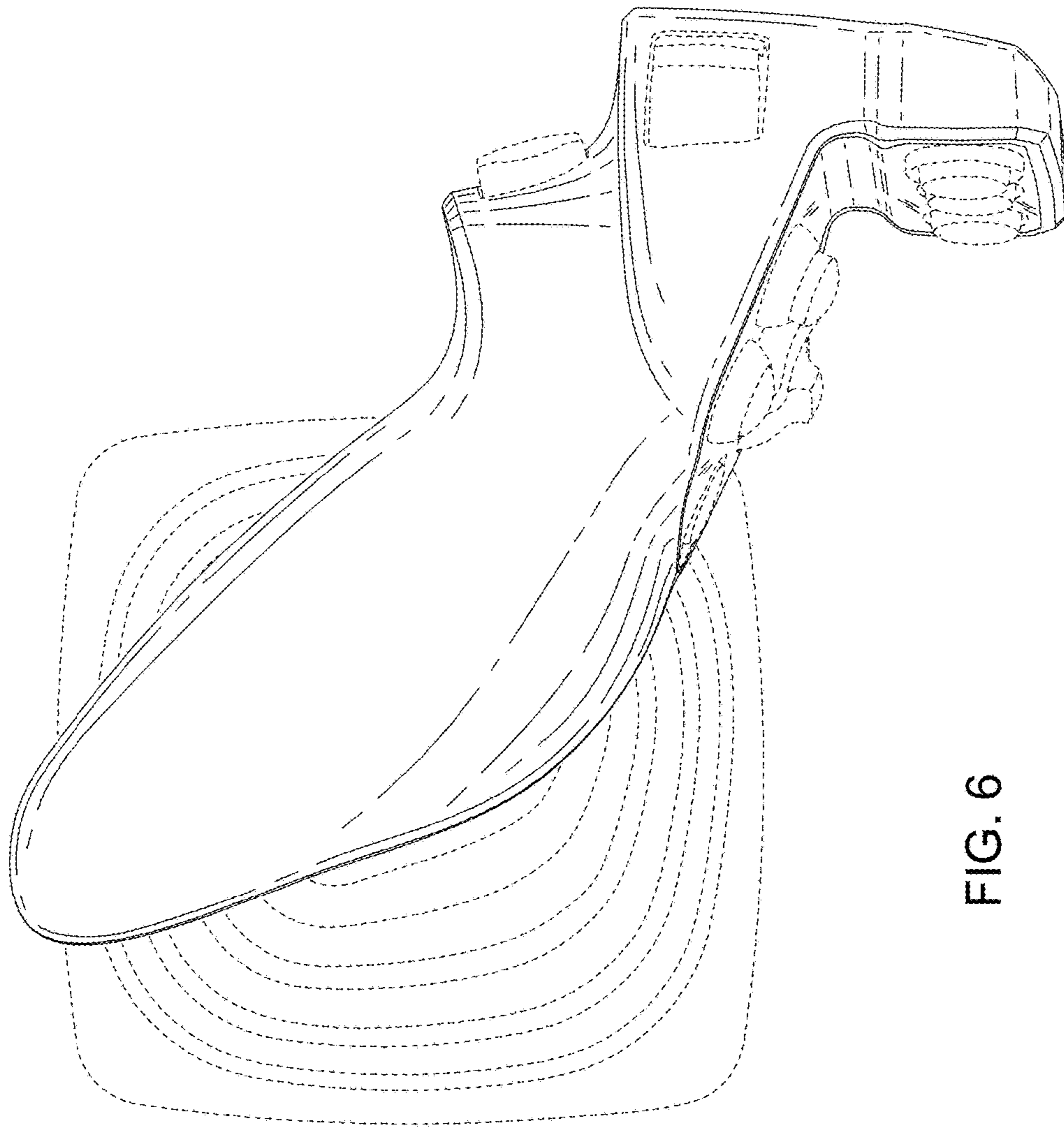


FIG. 6

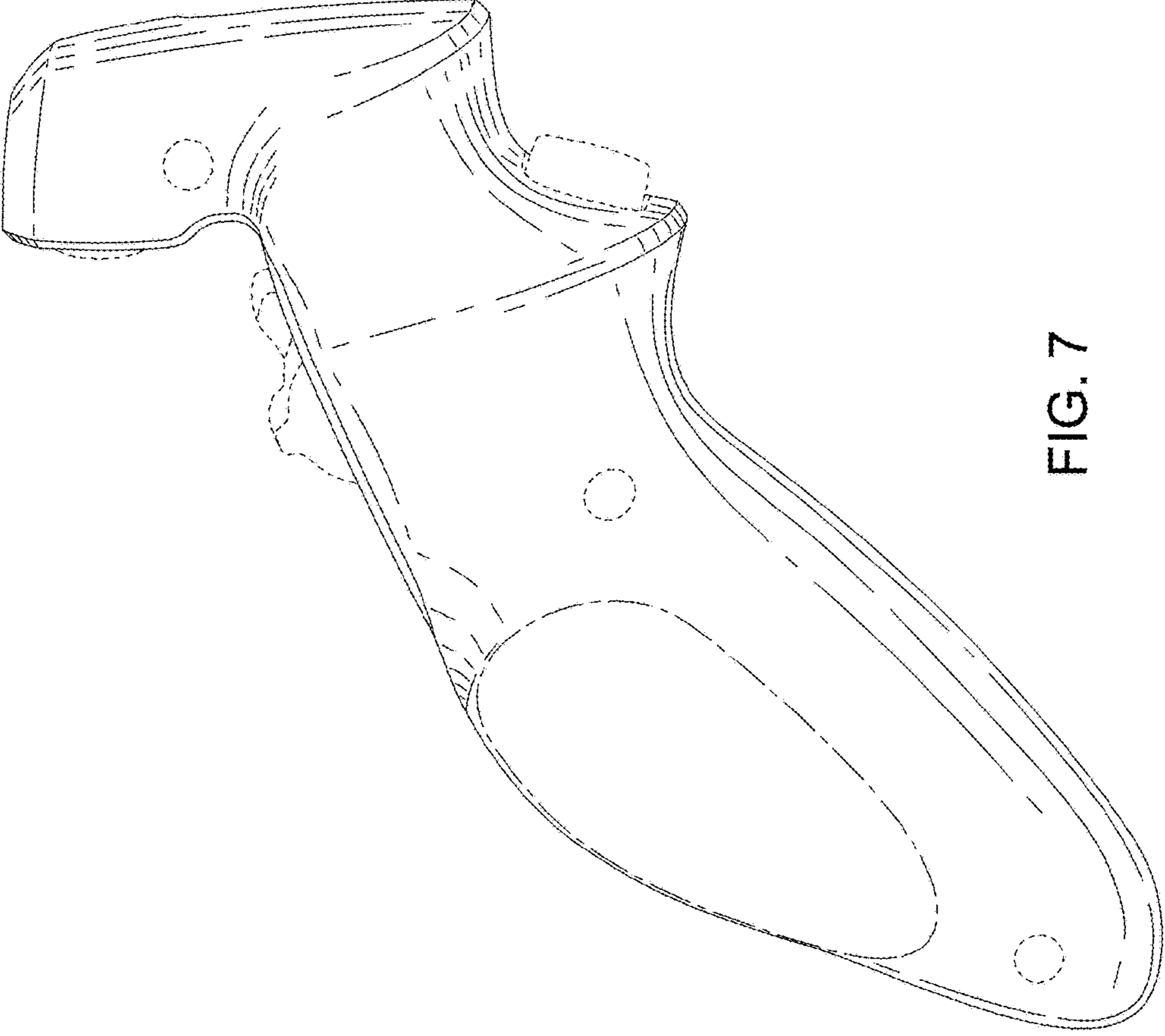


FIG. 7