



US00D777801S

(12) **United States Design Patent** (10) **Patent No.:** **US D777,801 S**
Furuki et al. (45) **Date of Patent:** **** Jan. 31, 2017**

(54) **AIR CONDITIONING DUCT FOR CONSTRUCTION EQUIPMENT**

(71) Applicant: **Kubota Corporation**, Osaka, Osaka (JP)

(72) Inventors: **Taiki Furuki**, Sakai (JP); **Yuji Yamashita**, Sakai (JP); **Ryohei Sumiyoshi**, Sakai (JP); **Hiroaki Kurachi**, Sakai (JP); **Hiroyuki Anami**, Sakai (JP); **Hayato Kawano**, Sakai (JP); **Satoshi Tajima**, Sakai (JP); **Kunihiro Suzuki**, Sakai (JP)

(73) Assignee: **KUBOTA CORPORATION**, Osaka (JP)

(**) Term: **14 Years**

(21) Appl. No.: **29/474,460**

(22) Filed: **Sep. 26, 2014**

(51) **LOC (10) Cl.** **15-03**

(52) **U.S. Cl.**
USPC **D15/28**

(58) **Field of Classification Search**
USPC D15/28, 30; D34/35; D8/350-353; D13/177
CPC B60K 30/00; H01H 25/04; H01H 25/06
See application file for complete search history.

(56) **References Cited**

U.S. PATENT DOCUMENTS

D595,746 S *	7/2009	Iida	D15/28
D598,031 S *	8/2009	Smith	D15/28
D656,164 S *	3/2012	Nilsson	D15/28
D672,372 S *	12/2012	Nilsson	D15/28

D739,446 S *	9/2015	Nilsson	D15/32
D760,811 S *	7/2016	Uchijima	D15/28
D766,342 S *	9/2016	Esqueda	D15/28
D766,343 S *	9/2016	Linan	D15/28
D769,334 S *	10/2016	Ewringmann	D15/28
D769,945 S *	10/2016	Serrurier	D15/28
2008/0063502 A1 *	3/2008	Nilsson	E02F 3/34 414/685

* cited by examiner

Primary Examiner — Katrina A Betton

(74) *Attorney, Agent, or Firm* — Masuvalley & Partners

(57) **CLAIM**

The ornamental design for an air conditioning duct for construction equipment, as shown and described.

DESCRIPTION

FIG. 1 is a perspective view of the air conditioning duct for construction equipment according to the invention; FIG. 2 is a front elevation view of the air conditioning duct for construction equipment of FIG. 1; FIG. 3 is a rear elevation view of the air conditioning duct for construction equipment of FIG. 1; FIG. 4 is a left side elevation view of the air conditioning duct for construction equipment of FIG. 1; FIG. 5 is a right side elevation view of the air conditioning duct for construction equipment of FIG. 1; FIG. 6 is a top plan view of the air conditioning duct for construction equipment of FIG. 1; and, FIG. 7 is a bottom plan view of the air conditioning duct for construction equipment of FIG. 1.

The line shading in parts of the drawings is included for the purpose of illustrating use and environment and forms no part of the claimed design.

1 Claim, 7 Drawing Sheets

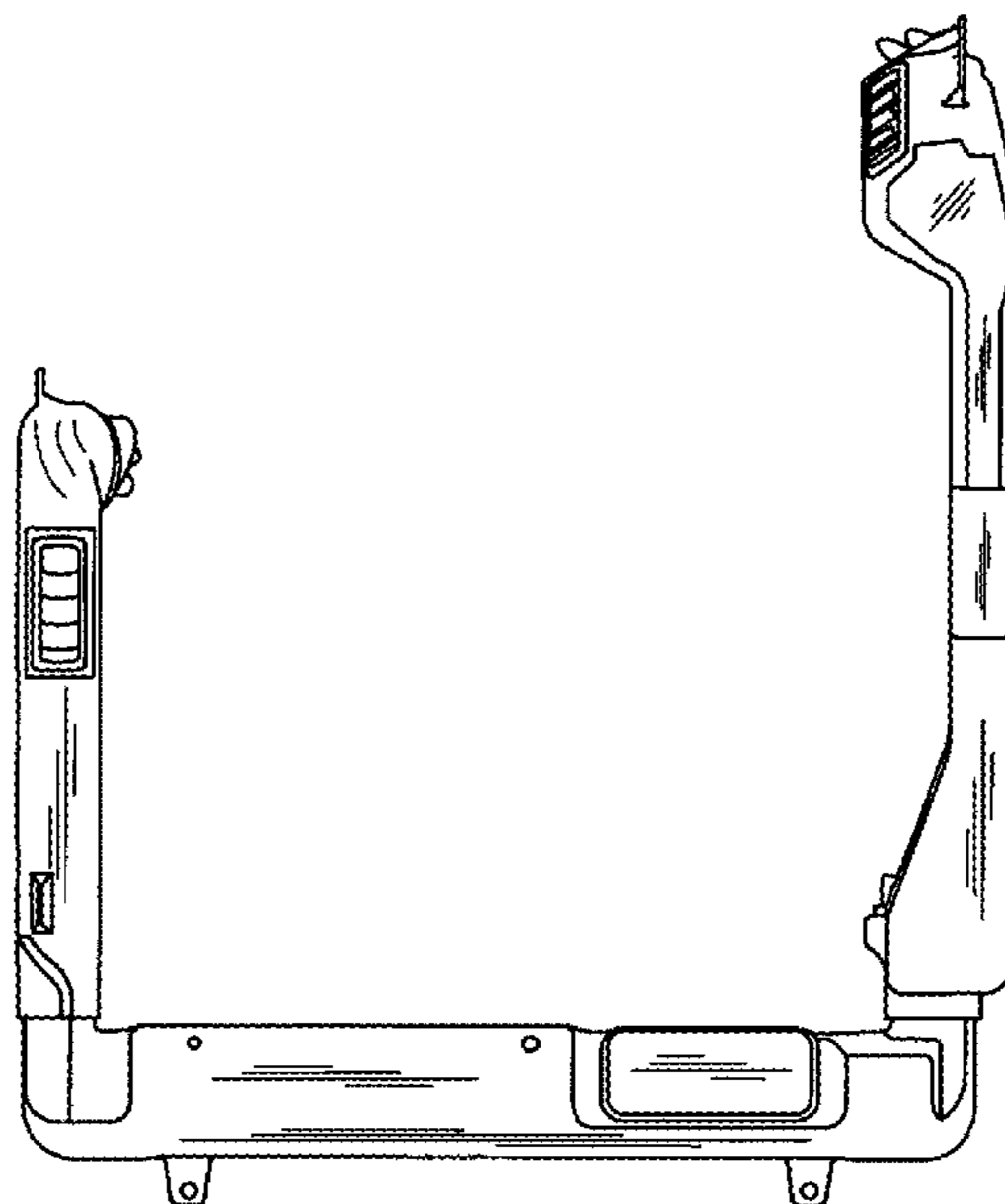


FIG. 1

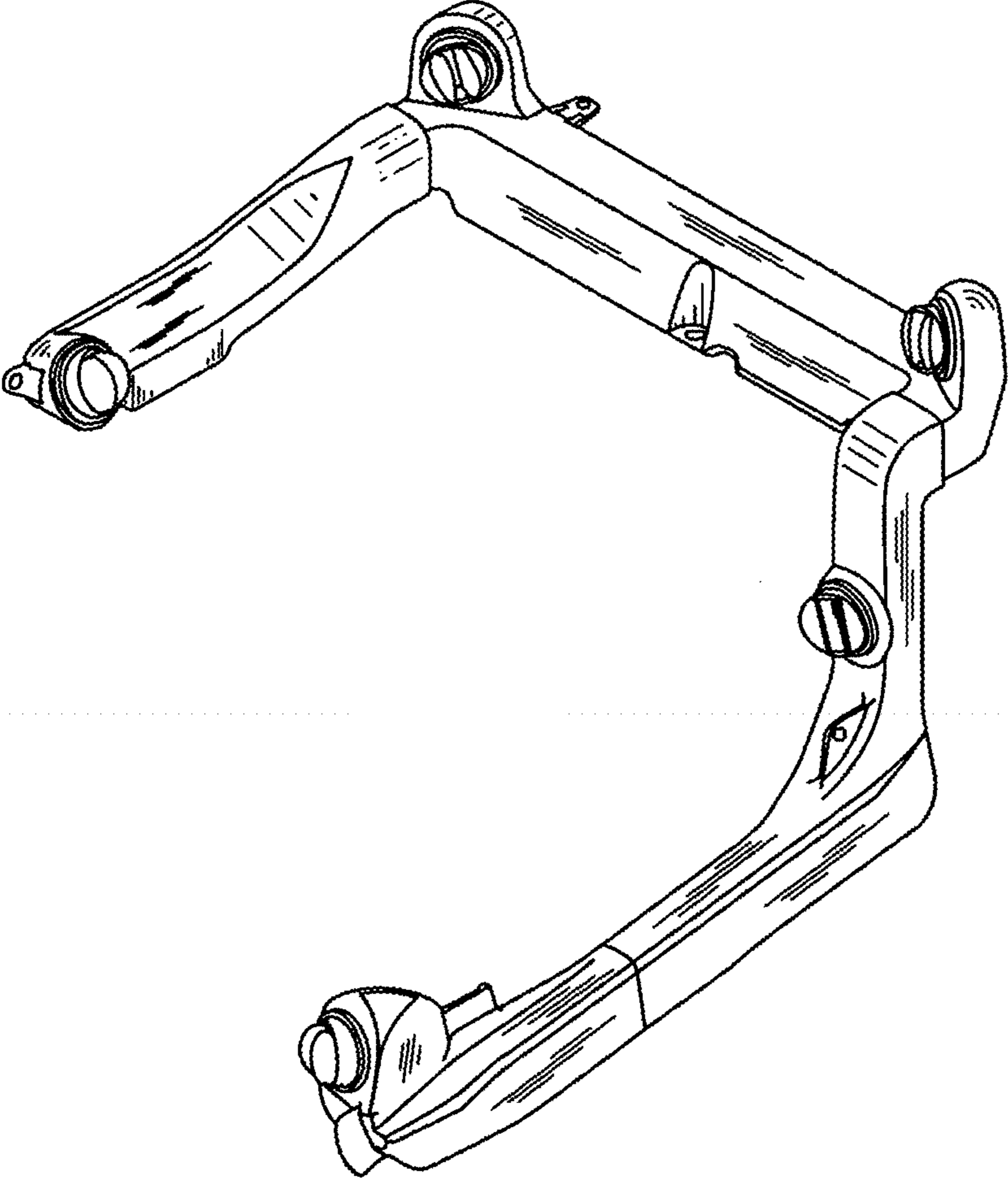


FIG. 2

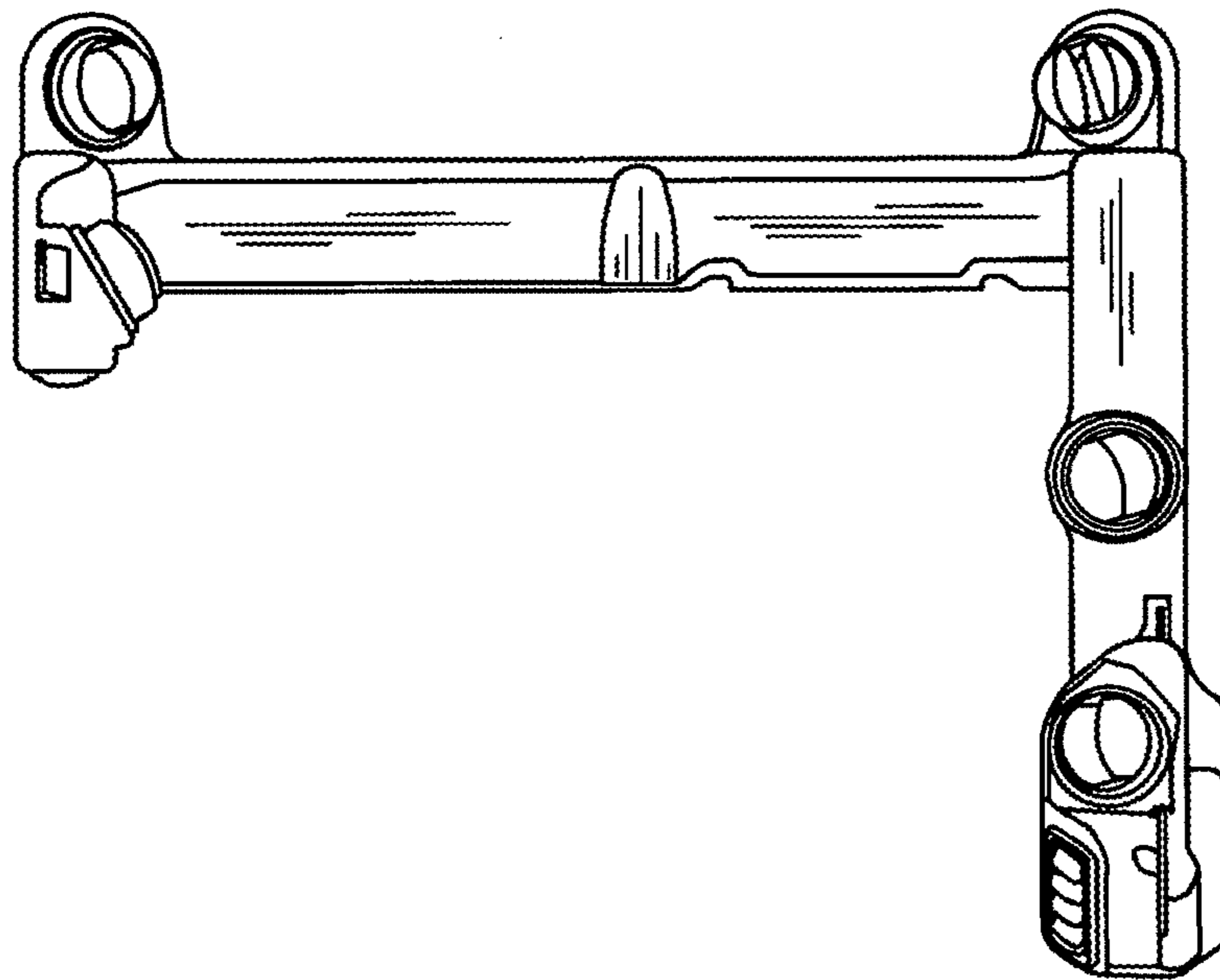


FIG. 3

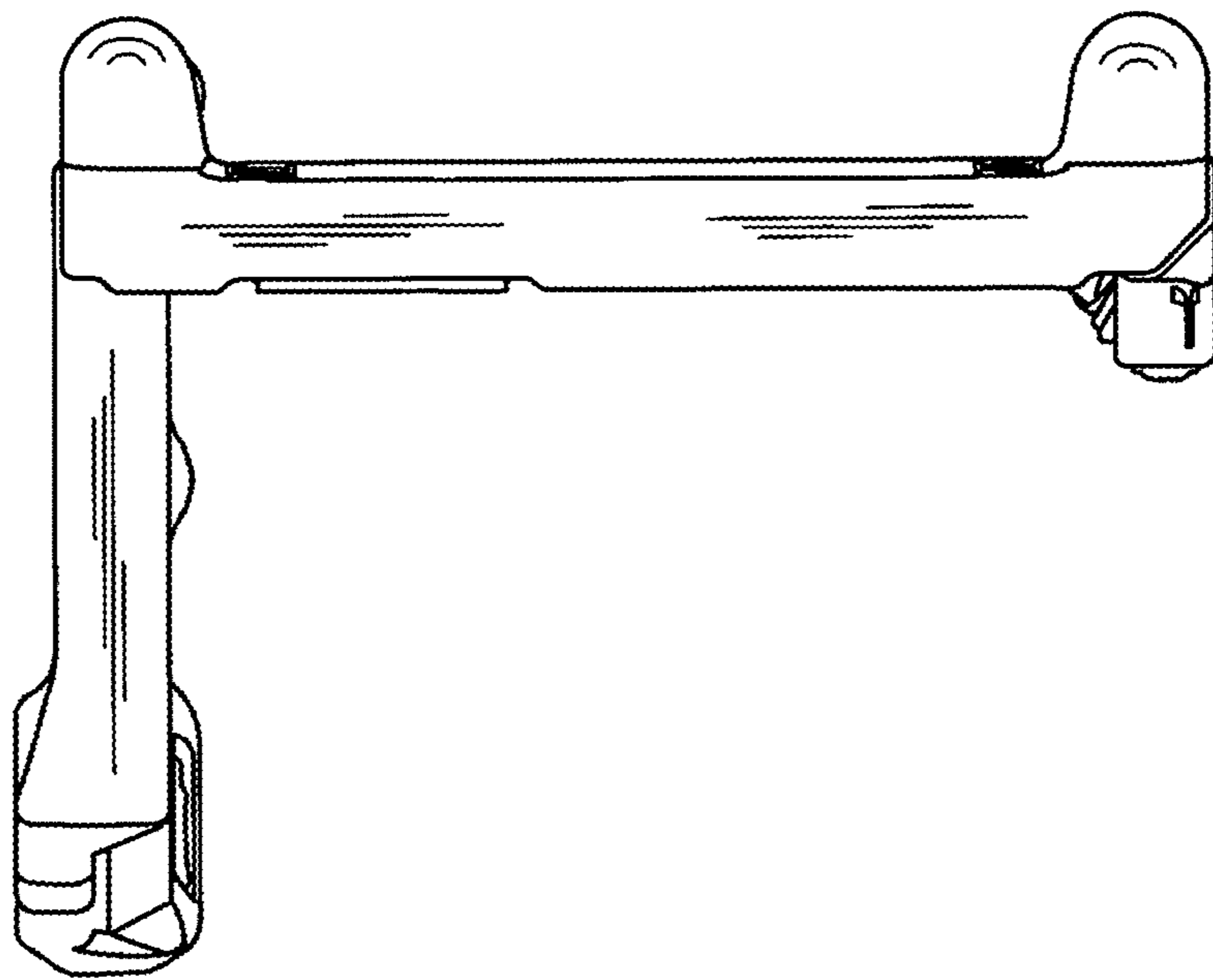


FIG. 4

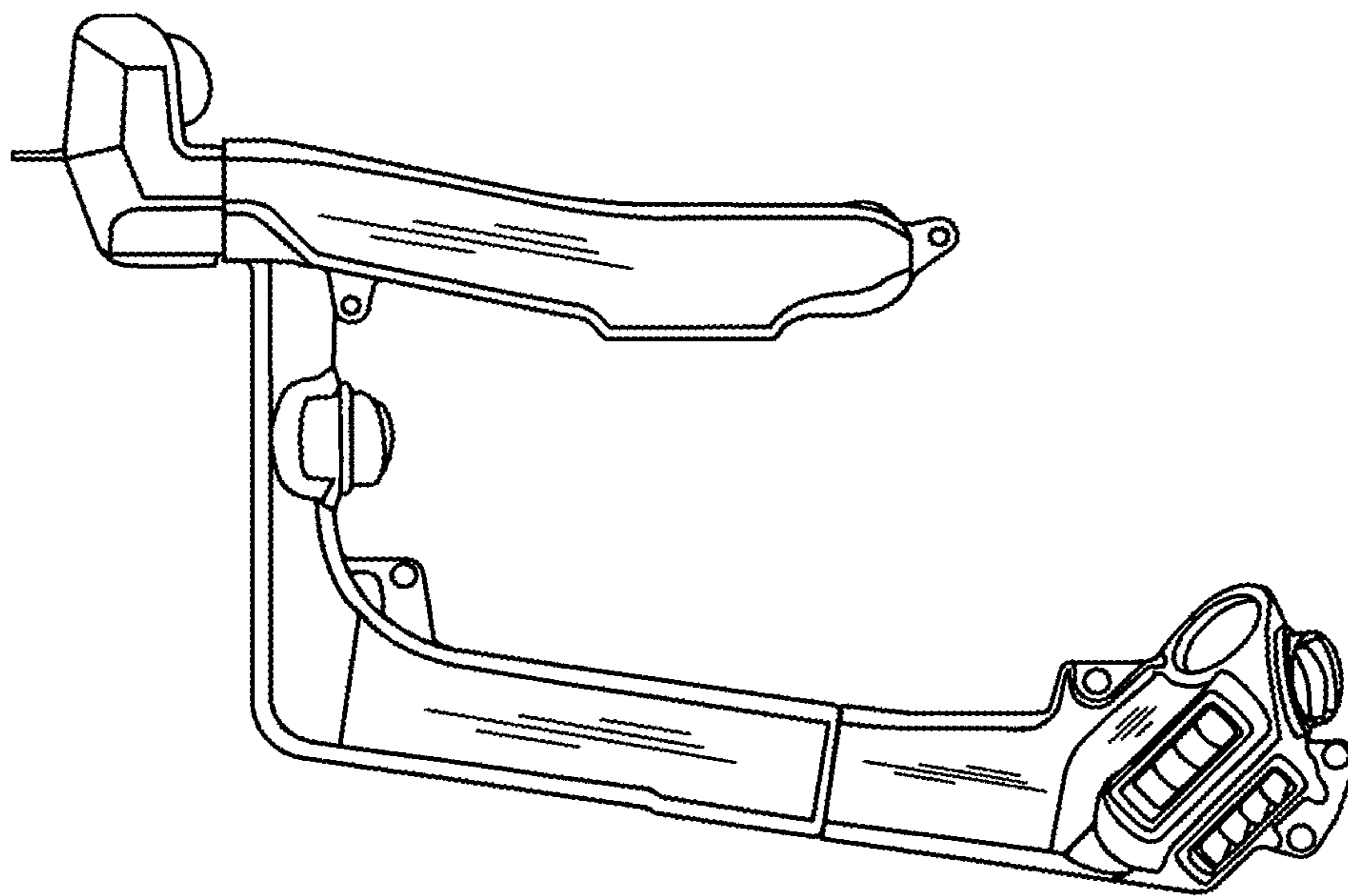


FIG. 5

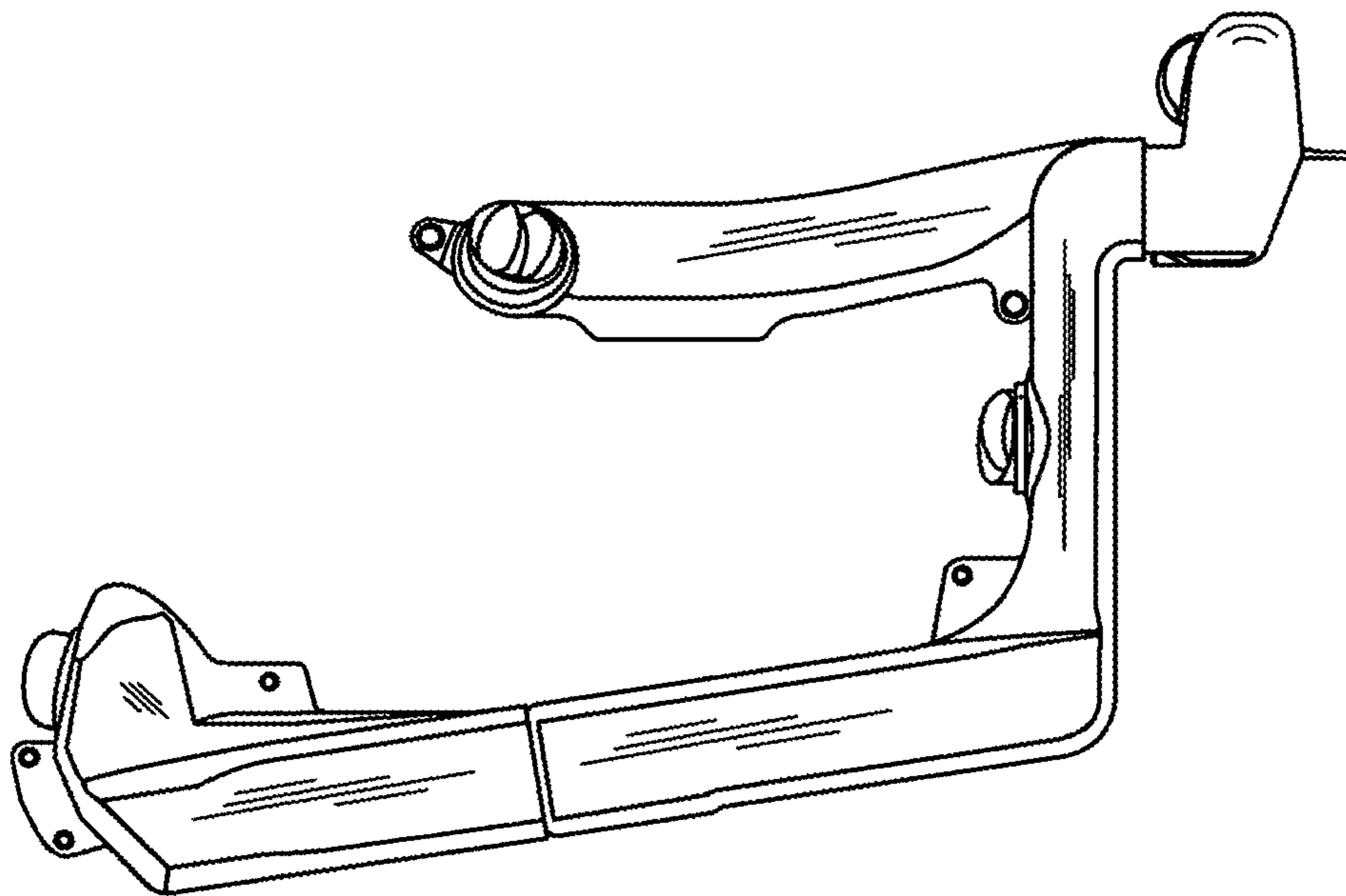


FIG. 6

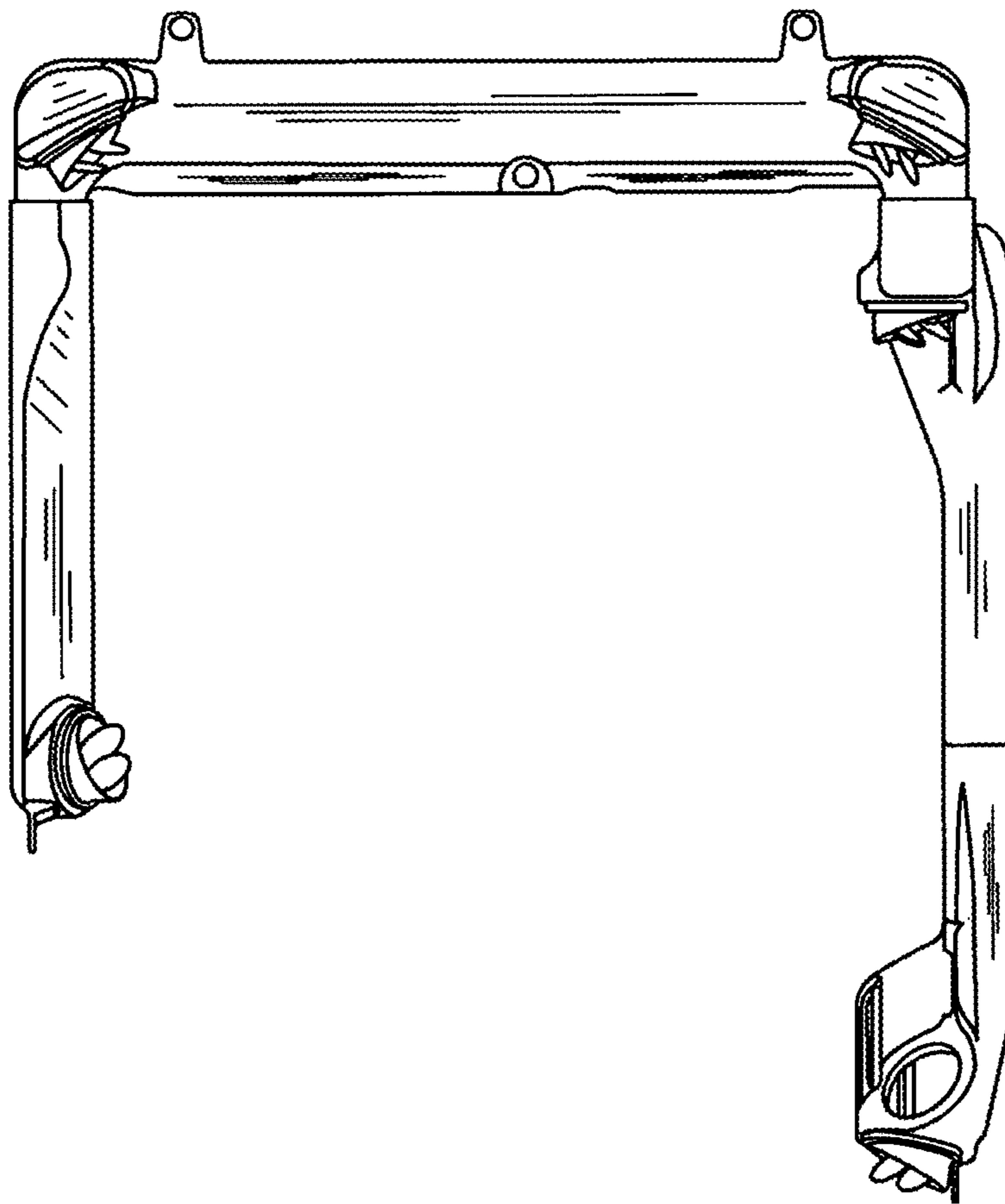


FIG. 7

