



US00D777799S

(12) **United States Design Patent**
Blackwell

(10) **Patent No.:** **US D777,799 S**

(45) **Date of Patent:** **** Jan. 31, 2017**

- (54) **TOWABLE LITTER RAKE**
- (71) Applicant: **Kevan Blackwell**, Rosebud (AU)
- (72) Inventor: **Kevan Blackwell**, Rosebud (AU)
- (**) Term: **14 Years**
- (21) Appl. No.: **29/500,745**
- (22) Filed: **Aug. 28, 2014**
- (51) **LOC (10) Cl.** **15-03**
- (52) **U.S. Cl.**
USPC **D15/27**
- (58) **Field of Classification Search**
USPC D15/27, 11, 28
CPC A01B 33/028; A01B 63/14; A01B 39/19;
A01B 49/022
See application file for complete search history.

D195,863 S *	8/1963	Breed et al.	D15/27
D268,497 S *	4/1983	Adair	D15/11
4,535,849 A *	8/1985	Dietrich, Sr.	172/468
D282,261 S *	1/1986	Doering	D15/27
D298,138 S *	10/1988	Starr	D15/27
5,908,075 A *	6/1999	Iannello	172/42
D544,887 S *	6/2007	Ariaz	D15/27
D550,255 S *	9/2007	Adcock	D15/27
D726,774 S *	4/2015	Polumati	D15/27

* cited by examiner

Primary Examiner — Mitchell Siegel

(74) *Attorney, Agent, or Firm* — Pedersen and Company, PLLC; Ken J. Pedersen; Barbara S. Pedersen

(57) **CLAIM**

The ornamental design for a towable litter rake, as shown and described.

DESCRIPTION

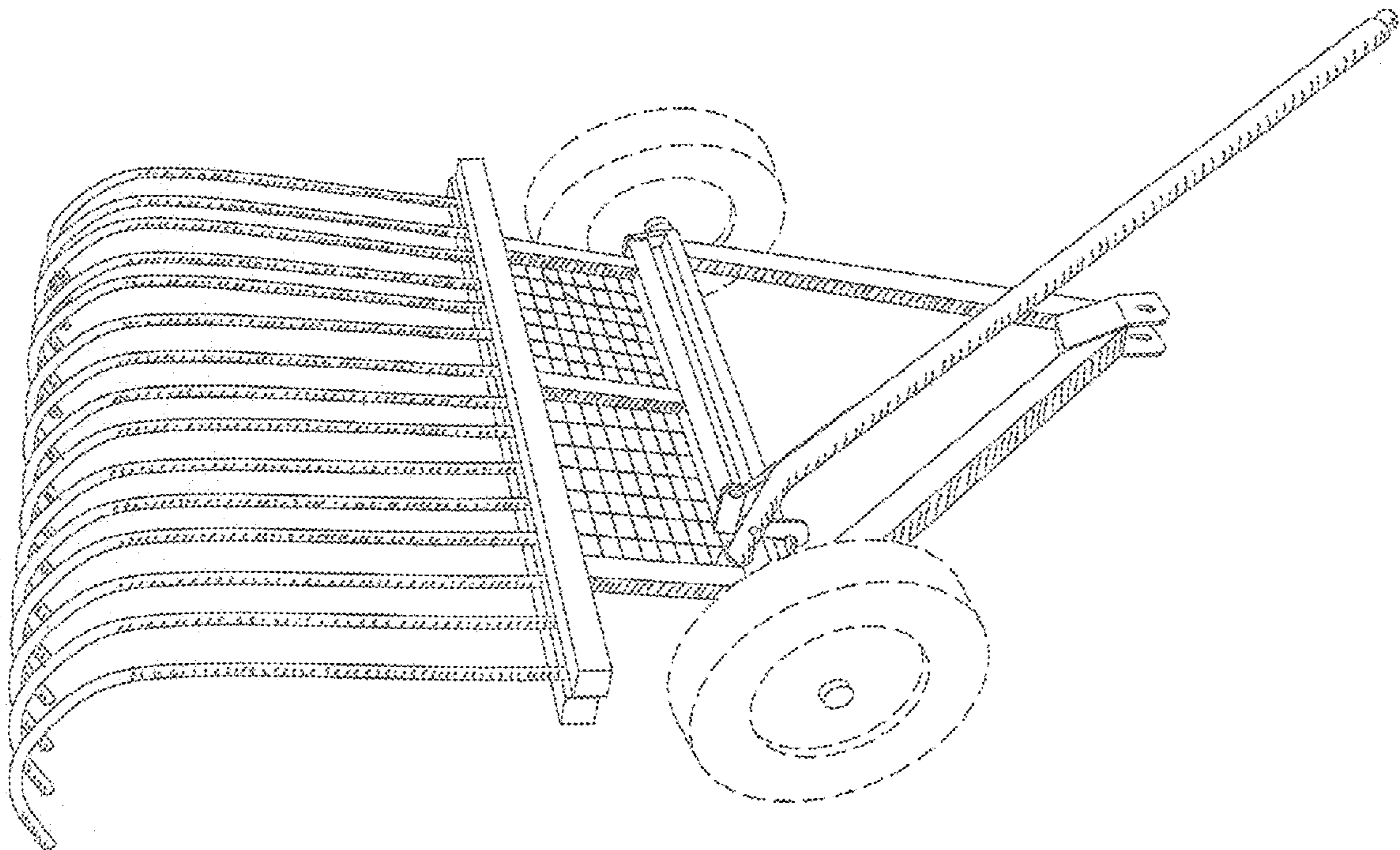
FIG. 1 is a perspective view of the invention; FIG. 2 is a top view of the invention; and, FIG. 3 is a side view of the invention. The wheels of the towable litter rake that are shown in broken lines in the drawings are for illustrative purposes only and do not form part of the claimed design.

1 Claim, 3 Drawing Sheets

(56) **References Cited**

U.S. PATENT DOCUMENTS

2,892,504 A *	6/1959	Mowbray	172/44
D192,521 S *	4/1962	Fragar	D15/27



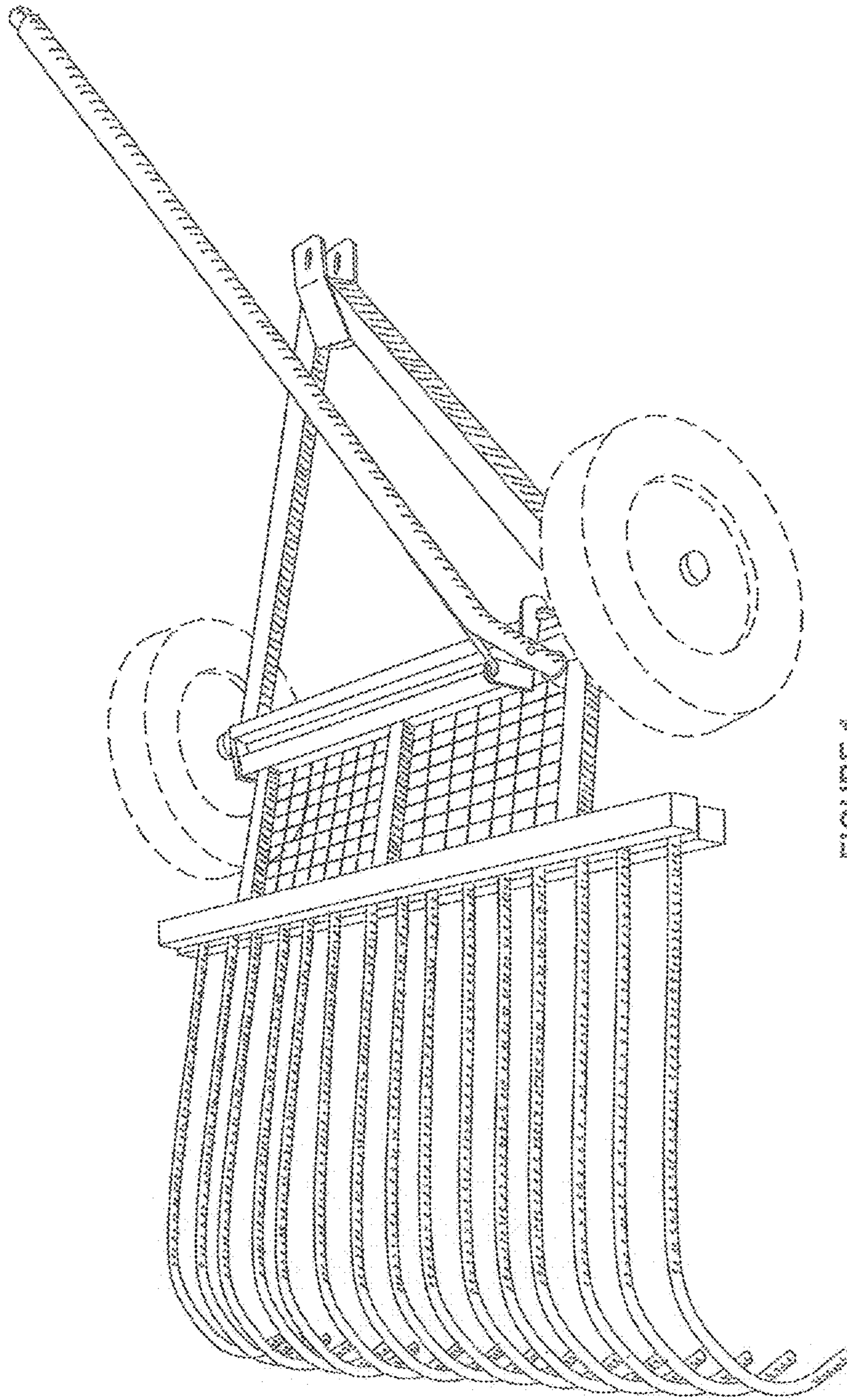


FIGURE 1

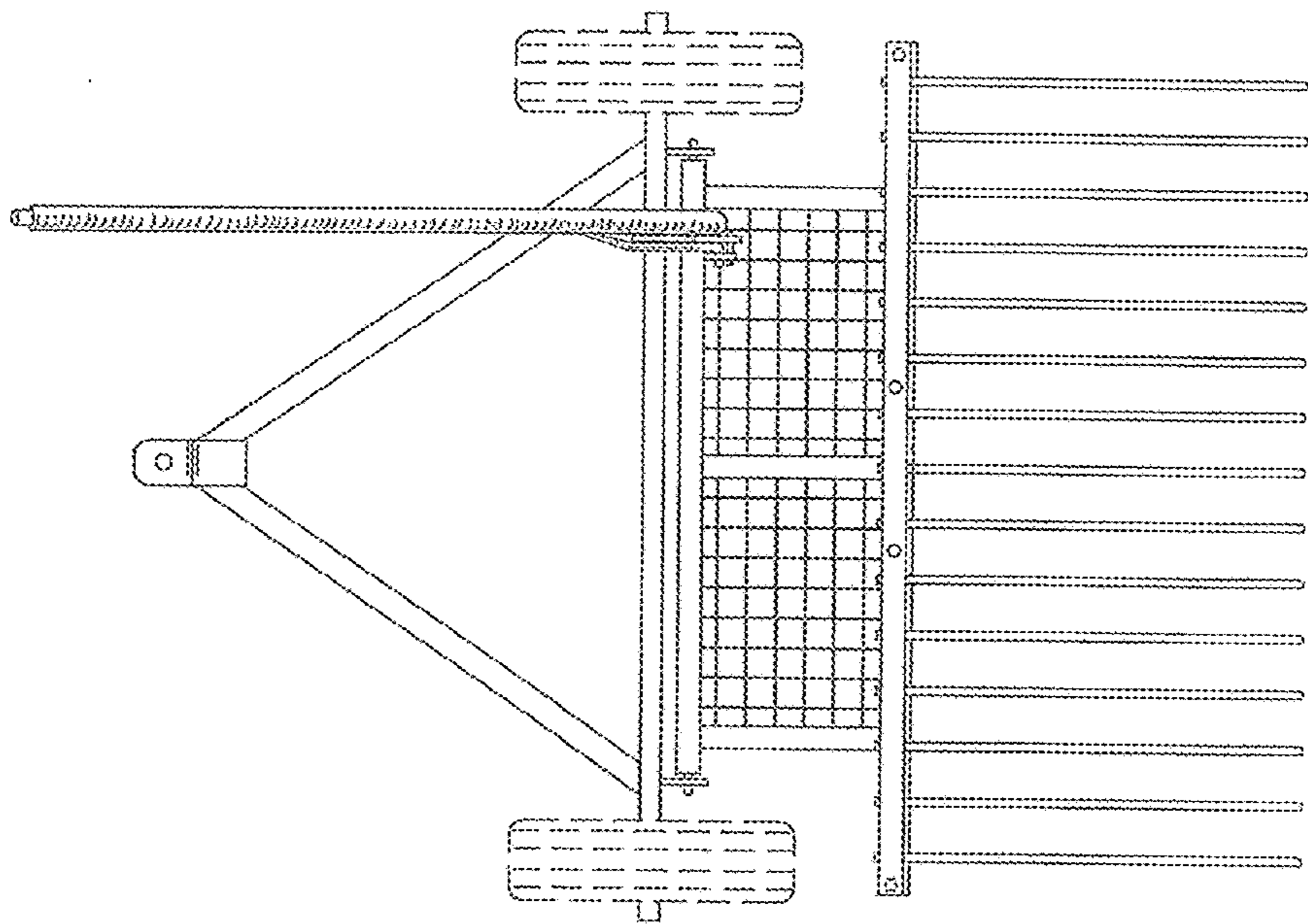


FIGURE 2

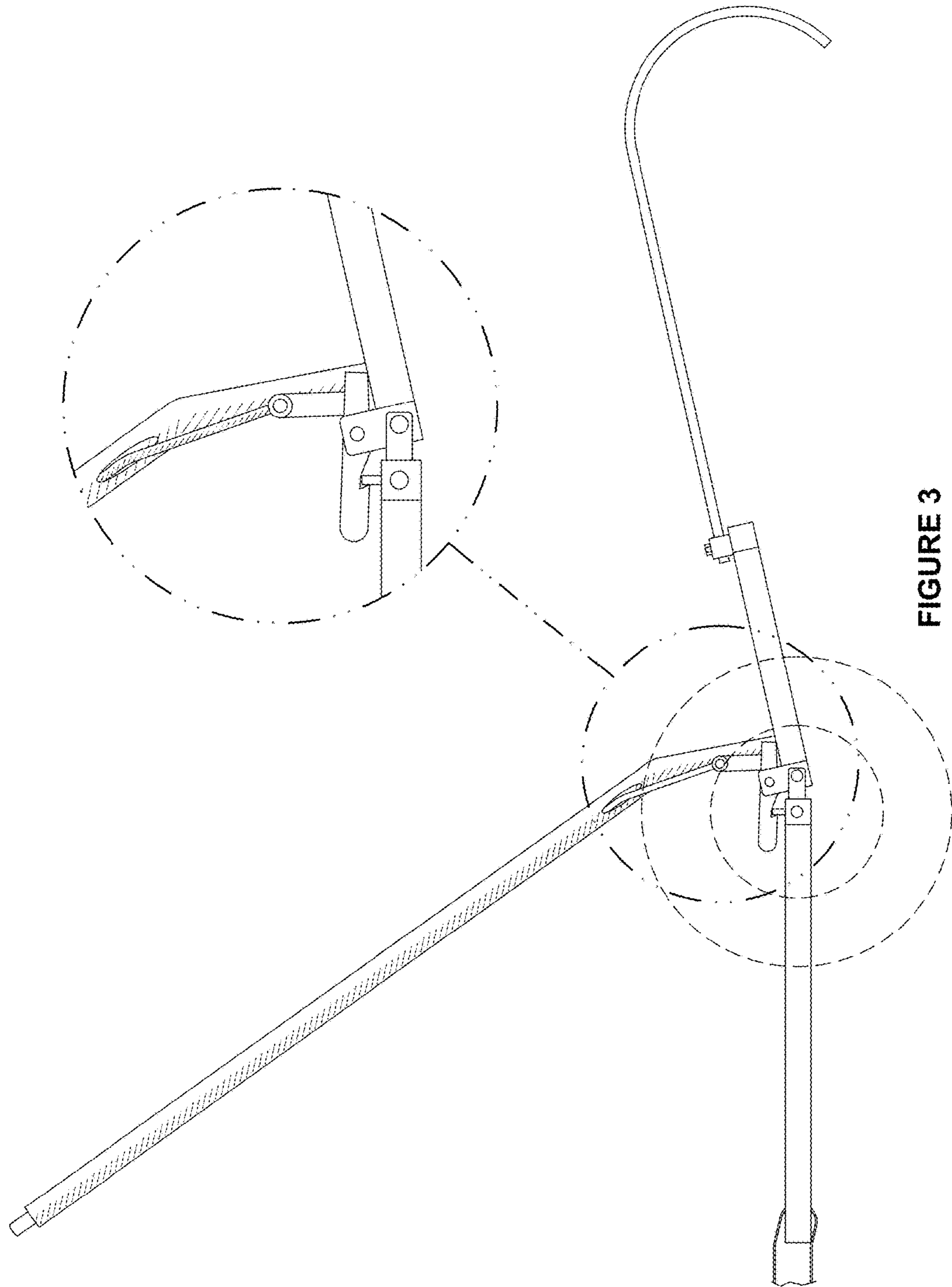


FIGURE 3