



US00D777798S

(12) **United States Design Patent**
Yetkin et al.

(10) **Patent No.:** **US D777,798 S**
(45) **Date of Patent:** **** Jan. 31, 2017**

(54) **TRACTOR**

(71) Applicant: **TURK TRAKTOR VE ZIRAAT
MAKINELERI ANONIM SIRKETI,**
Ankara (TR)

(72) Inventors: **Emre Yetkin,** Ankara (TR); **Mustafa
Avdan,** Ankara (TR); **Hakan Kars,**
Ankara (TR); **Adnan Demircioglu,**
Ankara (TR); **Mehmet Caglar Yilmaz,**
Ankara (TR)

(73) Assignee: **TURK TRAKTOR VE ZIRAAT
MAKINELERI ANONIM SIRKETI,**
Ankara (TR)

(**) Term: **15 Years**

(21) Appl. No.: **29/561,165**

(22) Filed: **Apr. 14, 2016**

(30) **Foreign Application Priority Data**

Oct. 14, 2015 (TR) 2015/06875

(51) **LOC (10) Cl.** **15-03**

(52) **U.S. Cl.**
USPC **D15/26; D15/23**

(58) **Field of Classification Search**
USPC D15/10, 14, 15, 22-26, 33; 180/69.2,
180/89.1, 89.12, 900; 56/12.7, 15.8, 16.7,
56/13.3, 10.1, 202, 320.1
CPC A01B 51/026; B62D 49/02; B62D 33/06;
B62D 33/0604; B62D 33/0617; B62D
25/10; B60K 15/063; B60K
15/073; B60K 2015/0637

See application file for complete search history.

(56) **References Cited**

U.S. PATENT DOCUMENTS

D498,245 S * 11/2004 Kuwae D15/23
D501,487 S * 2/2005 Katoh D15/23

D513,268 S * 12/2005 Wang D15/23
D553,159 S * 10/2007 Higashikawa D15/15
D555,674 S * 11/2007 Kuwae D15/23
D558,797 S * 1/2008 Yamamoto D15/23
D564,544 S * 3/2008 Higashikawa D15/23
D581,953 S * 12/2008 Matsumoto D15/15
D599,826 S * 9/2009 Kuwae D15/23
D600,255 S * 9/2009 Kushita D15/23
D602,047 S * 10/2009 Kushita D15/23
D605,668 S * 12/2009 Matsumoto D15/23
D641,027 S * 7/2011 Kawashiri D15/23
D668,270 S * 10/2012 Kushita D15/23
D674,819 S * 1/2013 Hagele D15/23
D678,353 S * 3/2013 Kakudate D15/23
D692,463 S * 10/2013 Matsui D15/23
D703,699 S * 4/2014 Shimomura D15/23
D706,837 S * 6/2014 Takagi D15/23
D710,911 S * 8/2014 Iwata D15/23
D720,369 S * 12/2014 Furukawa D15/23
D729,851 S * 5/2015 Kushita D15/23
D747,363 S * 1/2016 Okuyama D15/22
D748,677 S * 2/2016 Kushita D15/26
D749,144 S * 2/2016 Higashikawa D15/23

(Continued)

Primary Examiner — Mark Goodwin

(74) *Attorney, Agent, or Firm* — Gokalp Bayramoglu

(57) **CLAIM**

The ornamental design for a tractor, as shown and described.

DESCRIPTION

FIG. 1 is a perspective view of a tractor showing our new design.

FIG. 2 is a front view thereof.

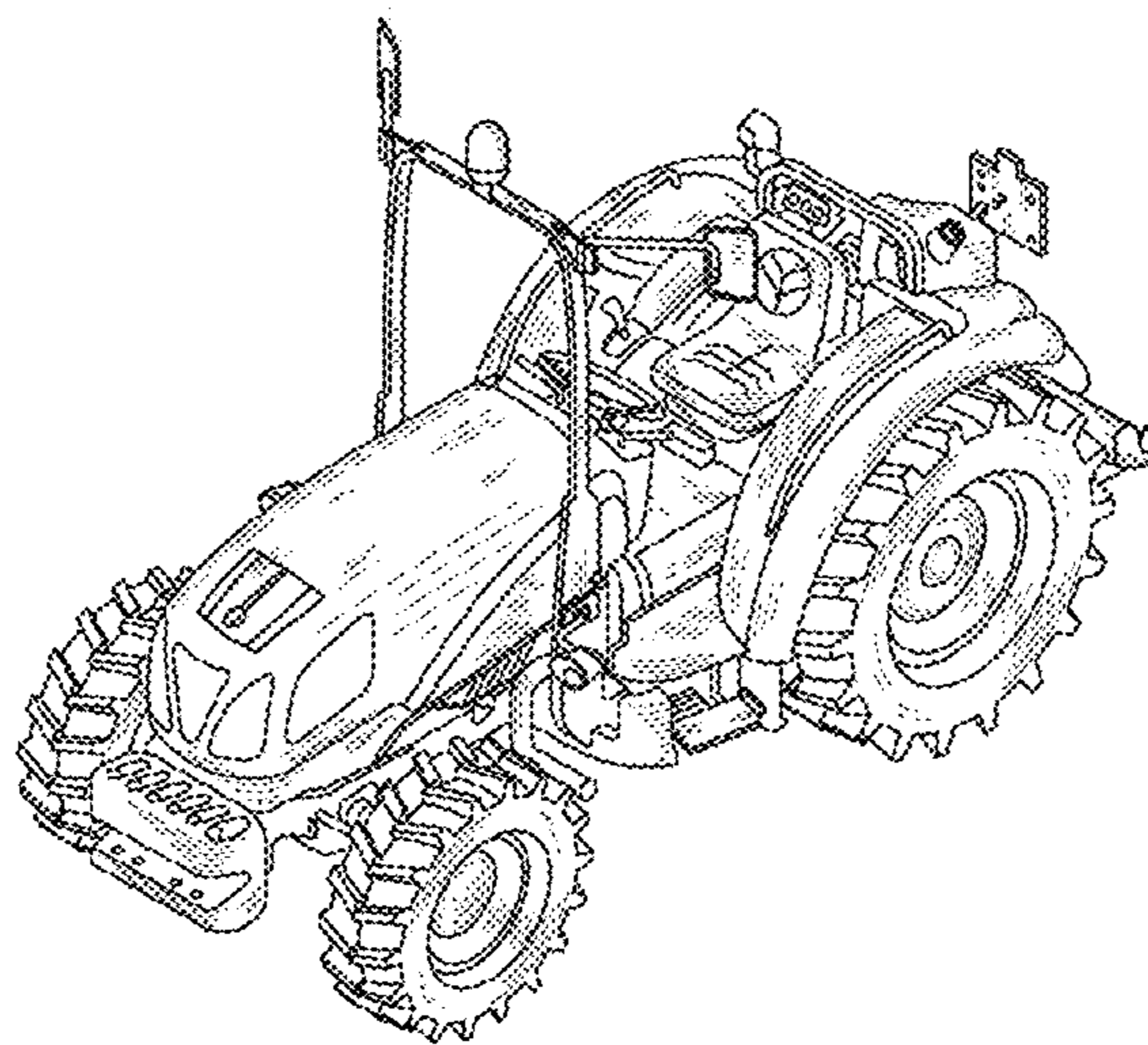
FIG. 3 is a top view thereof.

FIG. 4 is a back view thereof.

FIG. 5 is a right side view thereof; and,

FIG. 6 is a left side view thereof.

1 Claim, 6 Drawing Sheets



(56)

References Cited

U.S. PATENT DOCUMENTS

D749,645 S *	2/2016	Okuyama	D15/26
D752,650 S *	3/2016	Margutti	D15/23
D753,730 S *	4/2016	Margutti	D15/23
D754,210 S *	4/2016	Margutti	D15/23
D756,421 S *	5/2016	Okuyama	D15/26
D759,128 S *	6/2016	Yang	D15/23
D759,730 S *	6/2016	Okuyama	D15/26

* cited by examiner

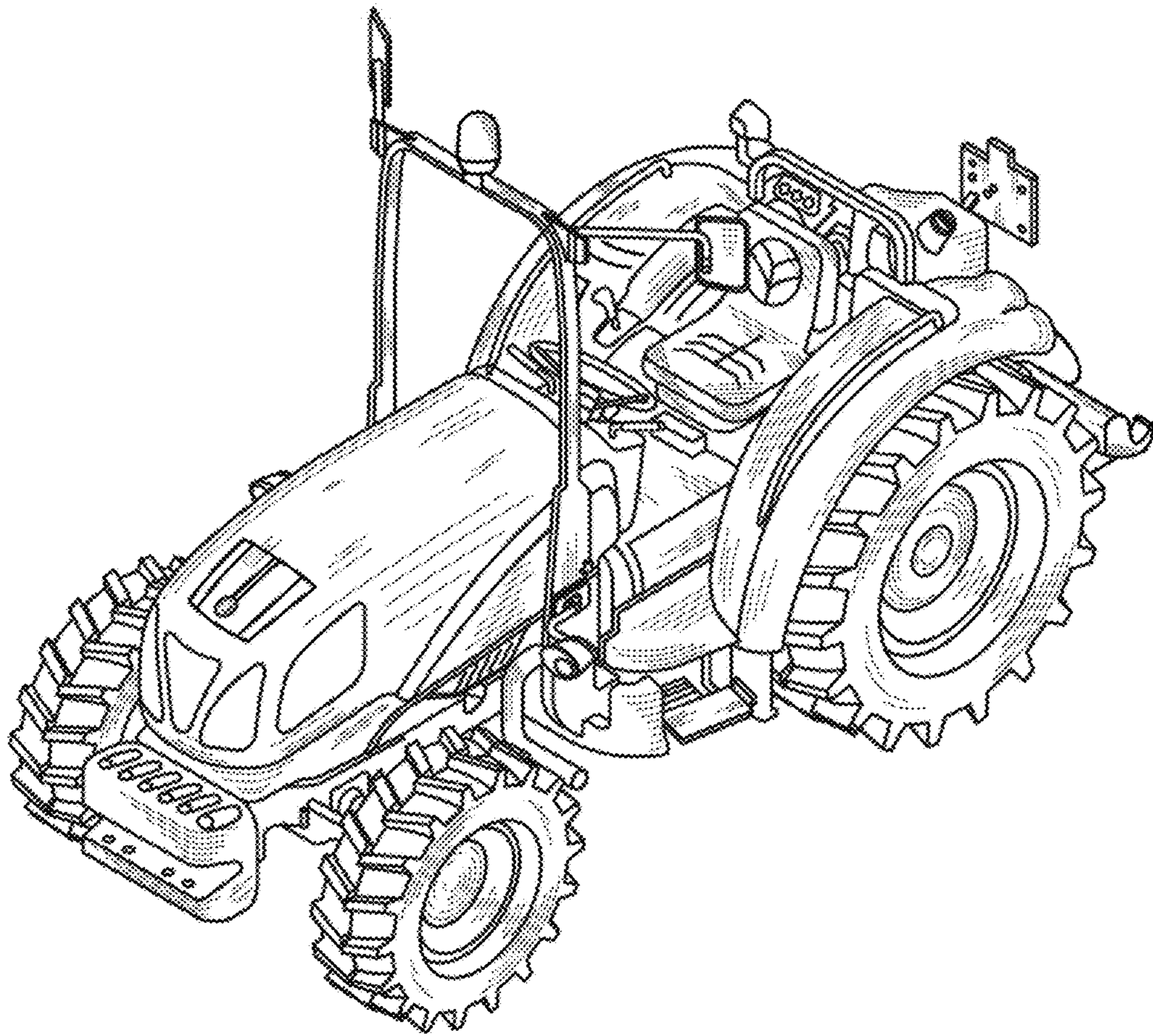


Fig. 1

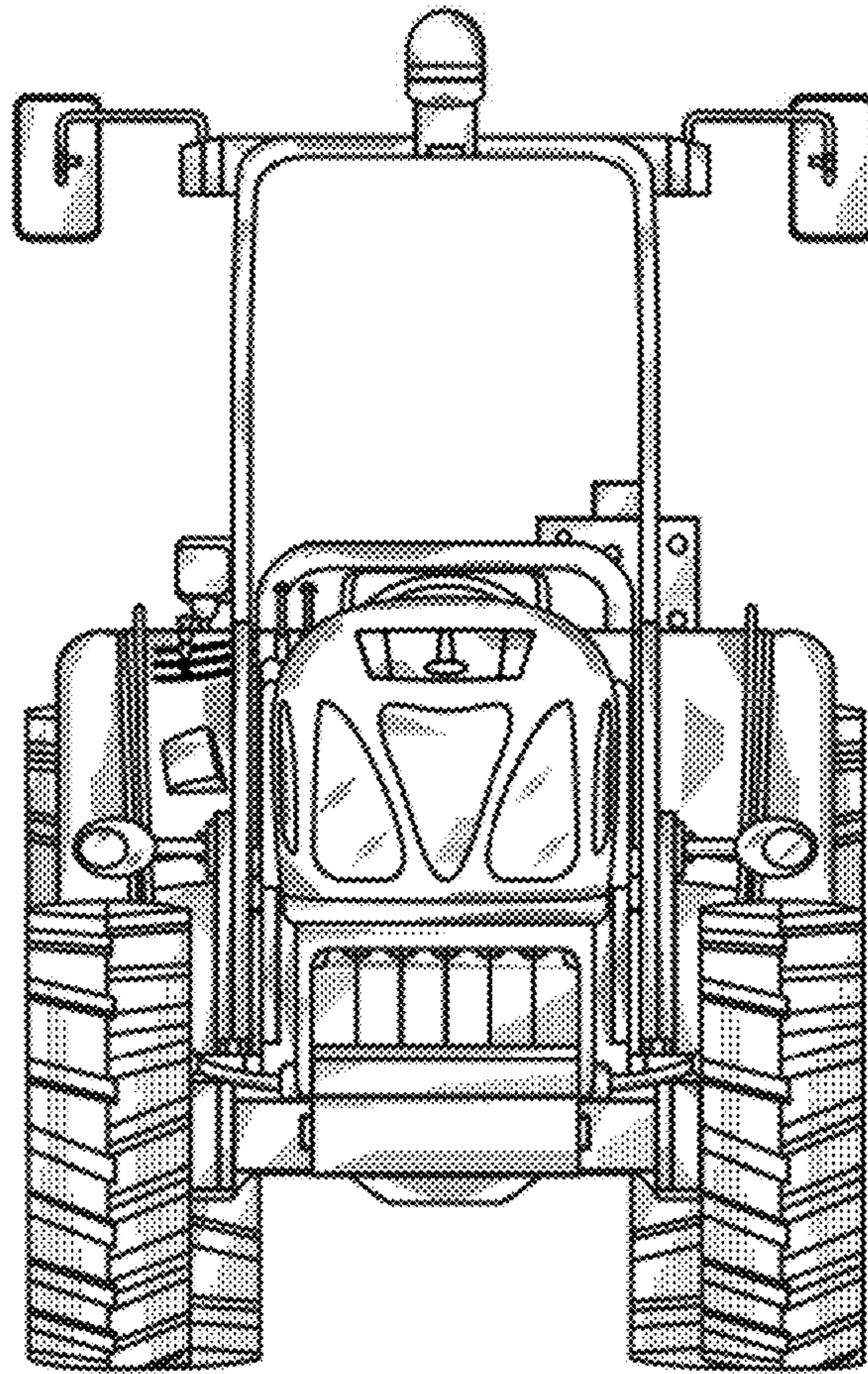


Fig. 2

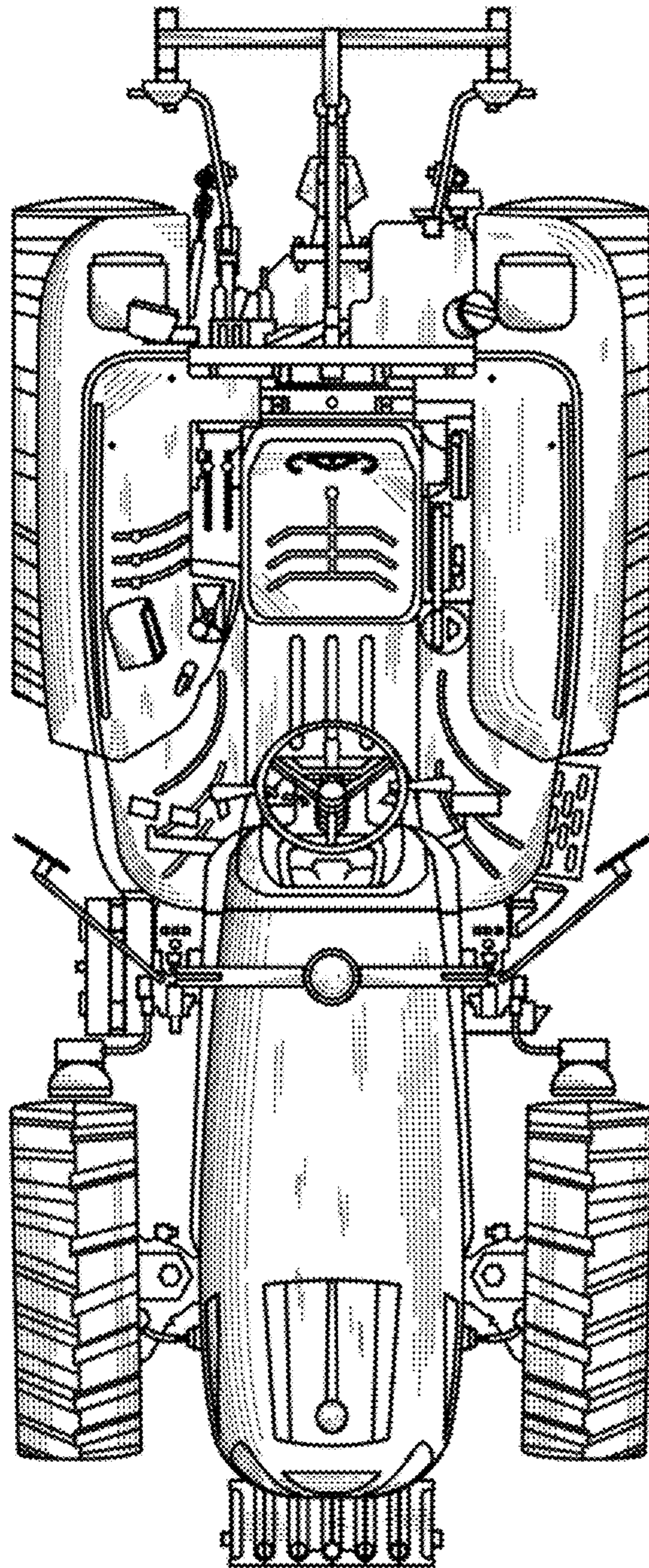


Fig. 3

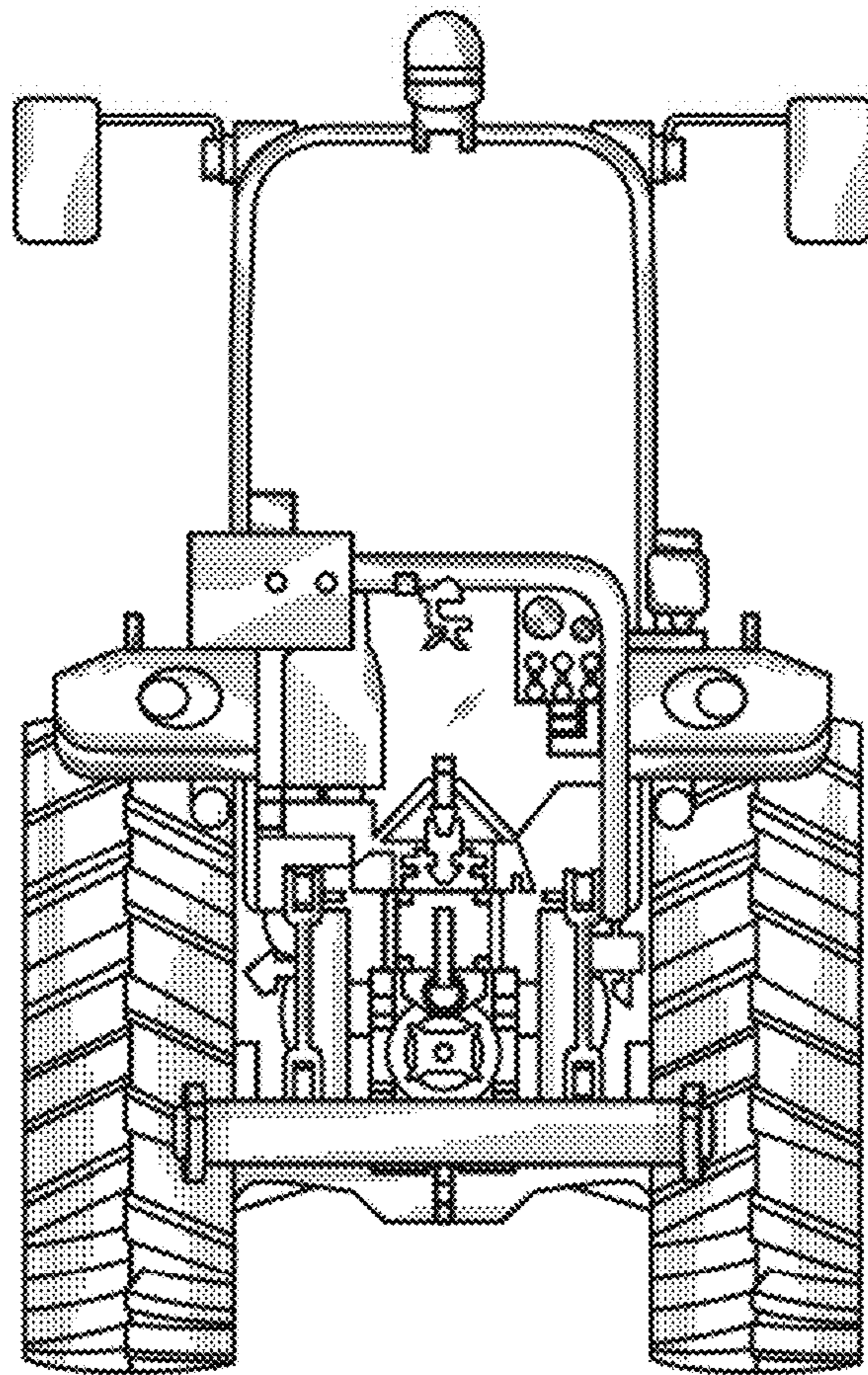


Fig. 4

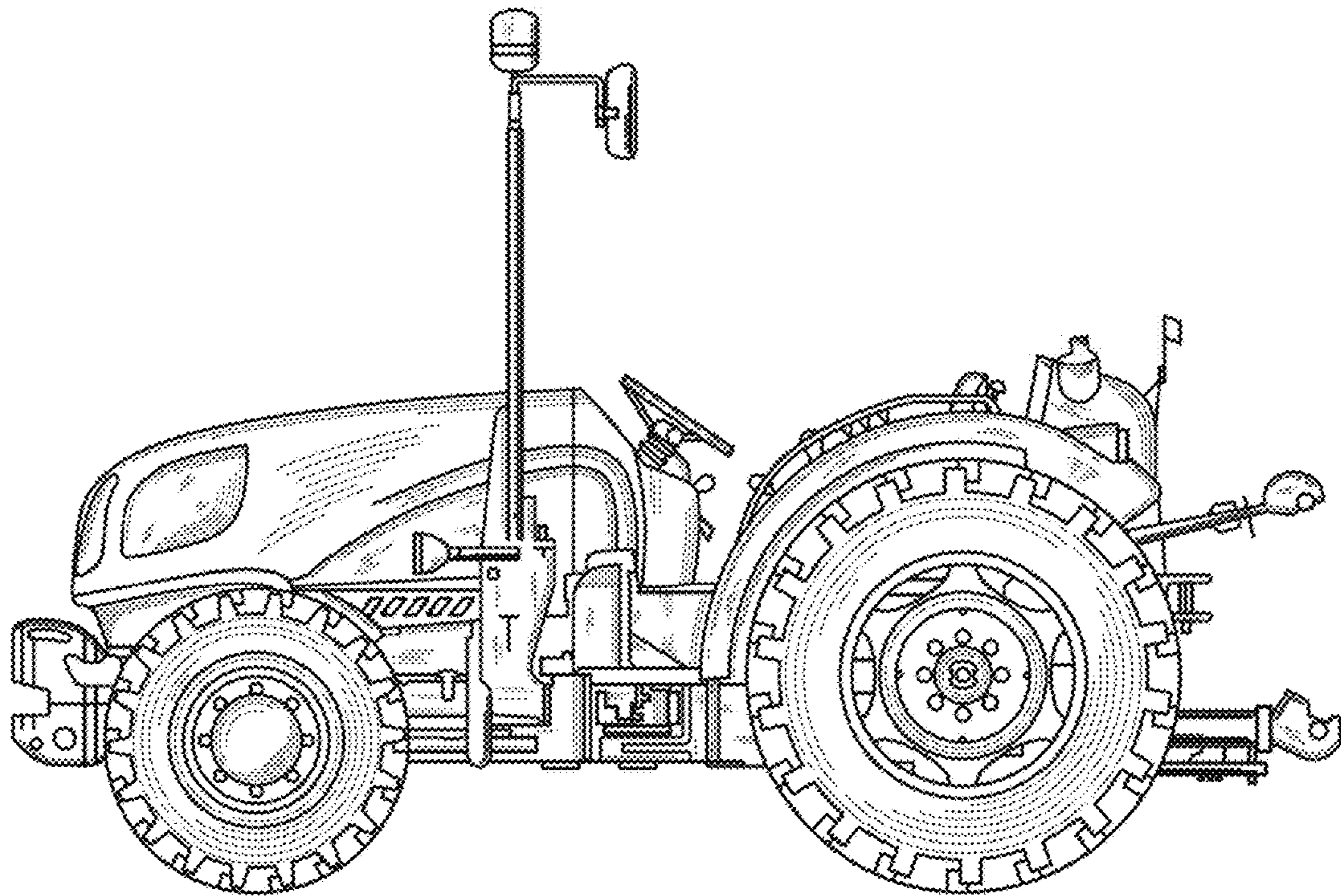


Fig. 5

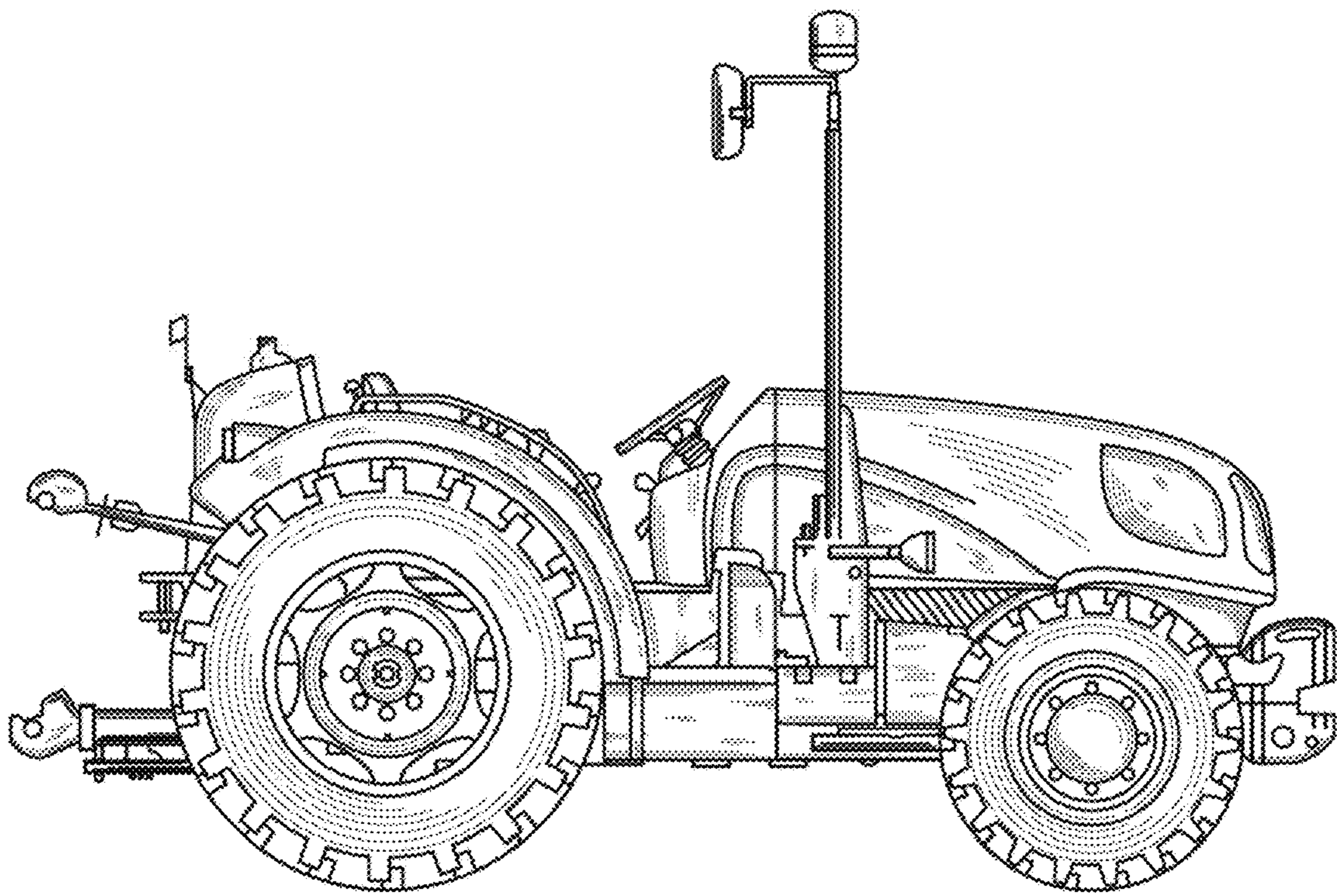


Fig. 6