



US00D777797S

(12) **United States Design Patent** (10) **Patent No.:** **US D777,797 S**  
**Yao** (45) **Date of Patent:** **\*\* Jan. 31, 2017**

(54) **MOWER HOUSING**

(56) **References Cited**

(71) Applicant: **JYEN HERR ENTERPRISE CO., LTD.**, Changhua, Changhua (TW)

U.S. PATENT DOCUMENTS

(72) Inventor: **Kevin Yao**, Changhua (TW)

4,067,108 A \* 1/1978 Ballas ..... A01D 34/416  
30/276

(73) Assignee: **JYEN HERR ENTERPRISE CO., LTD.**, Changhua, Changhua (TW)

4,089,114 A \* 5/1978 Doolittle ..... A01D 34/416  
30/122

(\*\*) Term: **15 Years**

D368,005 S \* 3/1996 Lemcke ..... D8/8

D716,619 S \* 11/2014 Baxter ..... D8/8

D716,621 S \* 11/2014 Tate ..... D8/8

D723,889 S \* 3/2015 Tate ..... D8/8

D751,356 S \* 3/2016 Carl ..... D8/8

9,472,992 B2 \* 10/2016 Shaffer ..... H02K 5/08

2013/0031788 A1 \* 2/2013 Ohno ..... A01D 34/90  
30/276

(21) Appl. No.: **29/548,615**

(22) Filed: **Dec. 15, 2015**

\* cited by examiner

(30) **Foreign Application Priority Data**

*Primary Examiner* — Mark Goodwin

Nov. 12, 2015 (TW) ..... 104306312

(74) *Attorney, Agent, or Firm* — Muncy, Geissler, Olds & Lowe, P.C.

(51) **LOC (10) Cl.** ..... **15-03**

(52) **U.S. Cl.**  
USPC ..... **D15/14; D15/17**

(57) **CLAIM**

The ornamental design for a mower housing, as shown.

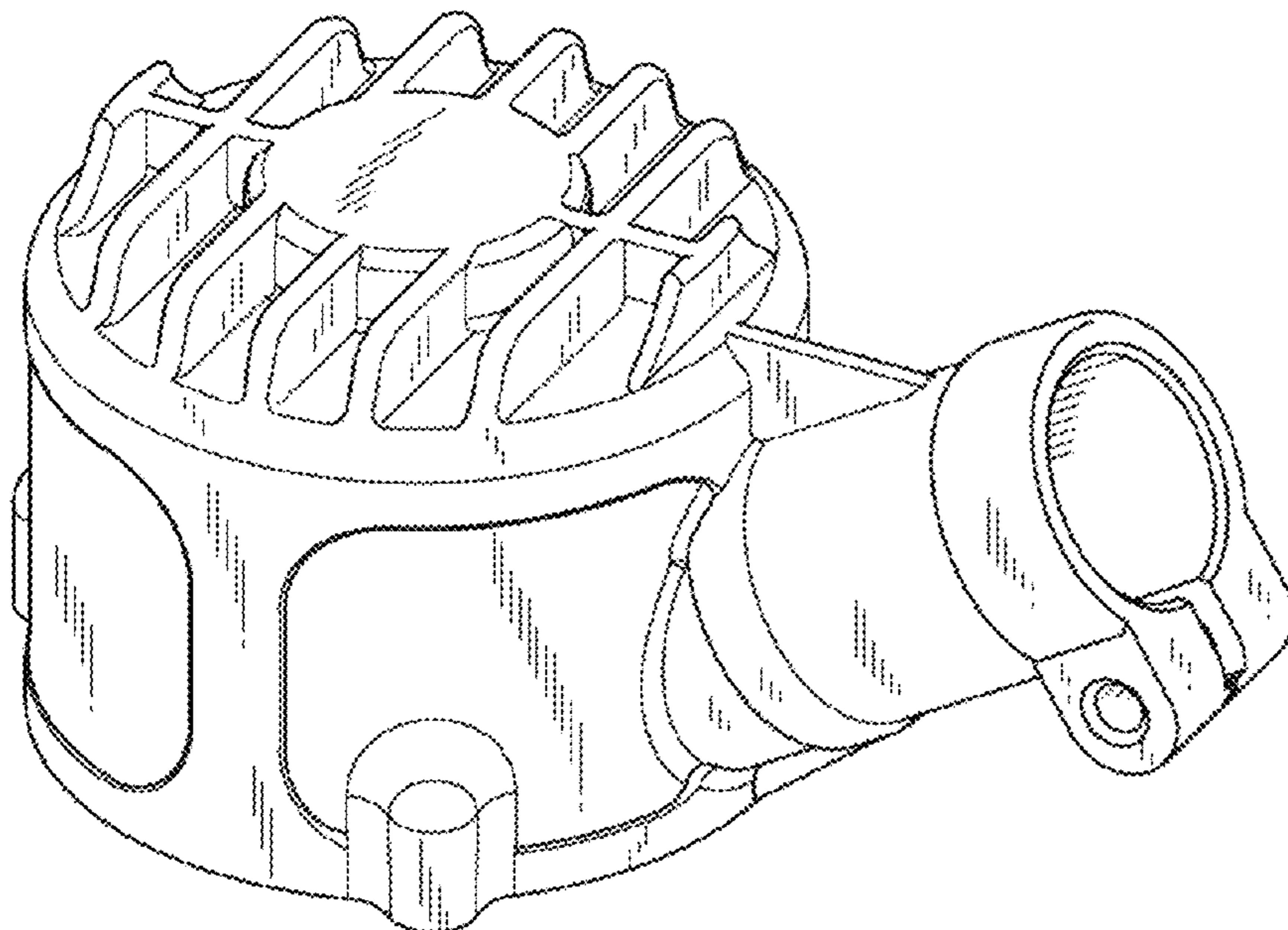
(58) **Field of Classification Search**  
USPC ... D15/14, 17, 18; 56/11.9, 17.5, 13.4, 12.8,  
56/16.7, 202, 255, 294, 295, 320.1, 320.2;  
180/900, 89.1, 89.12  
CPC .... A01D 34/008; A01D 34/81; A01D 34/416;  
A01D 34/4166; A01D 34/4167; A01D  
34/87; A01D 34/90; B60L 1/003; B60L  
3/0061; B60L 11/1803; B60L 11/1805;  
B60L 11/1877; B60L 15/20; B60L  
2260/28; B60L 2200/40; B60L 2220/16;  
B60L 2220/46; B60L 2240/36; B60L  
2240/421; A01G 3/04; A01G 3/0435

**DESCRIPTION**

FIG. 1 is a perspective view of a mower housing showing my new design;  
FIG. 2 is a front view thereof;  
FIG. 3 is a rear view thereof;  
FIG. 4 is a left side view thereof;  
FIG. 5 is a right side view thereof;  
FIG. 6 is a top view thereof; and,  
FIG. 7 is a bottom view thereof.

See application file for complete search history.

**1 Claim, 4 Drawing Sheets**



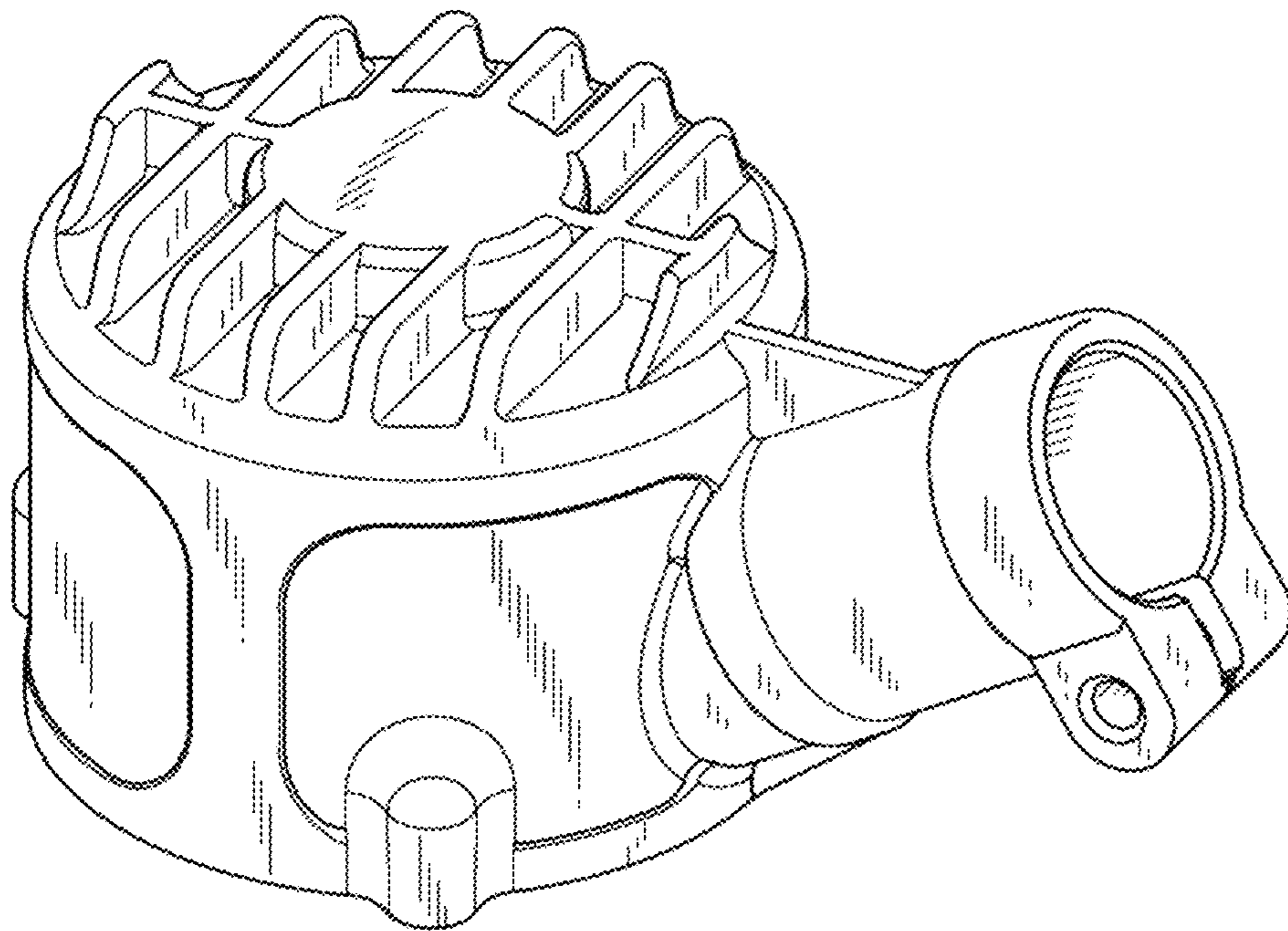


FIG. 1

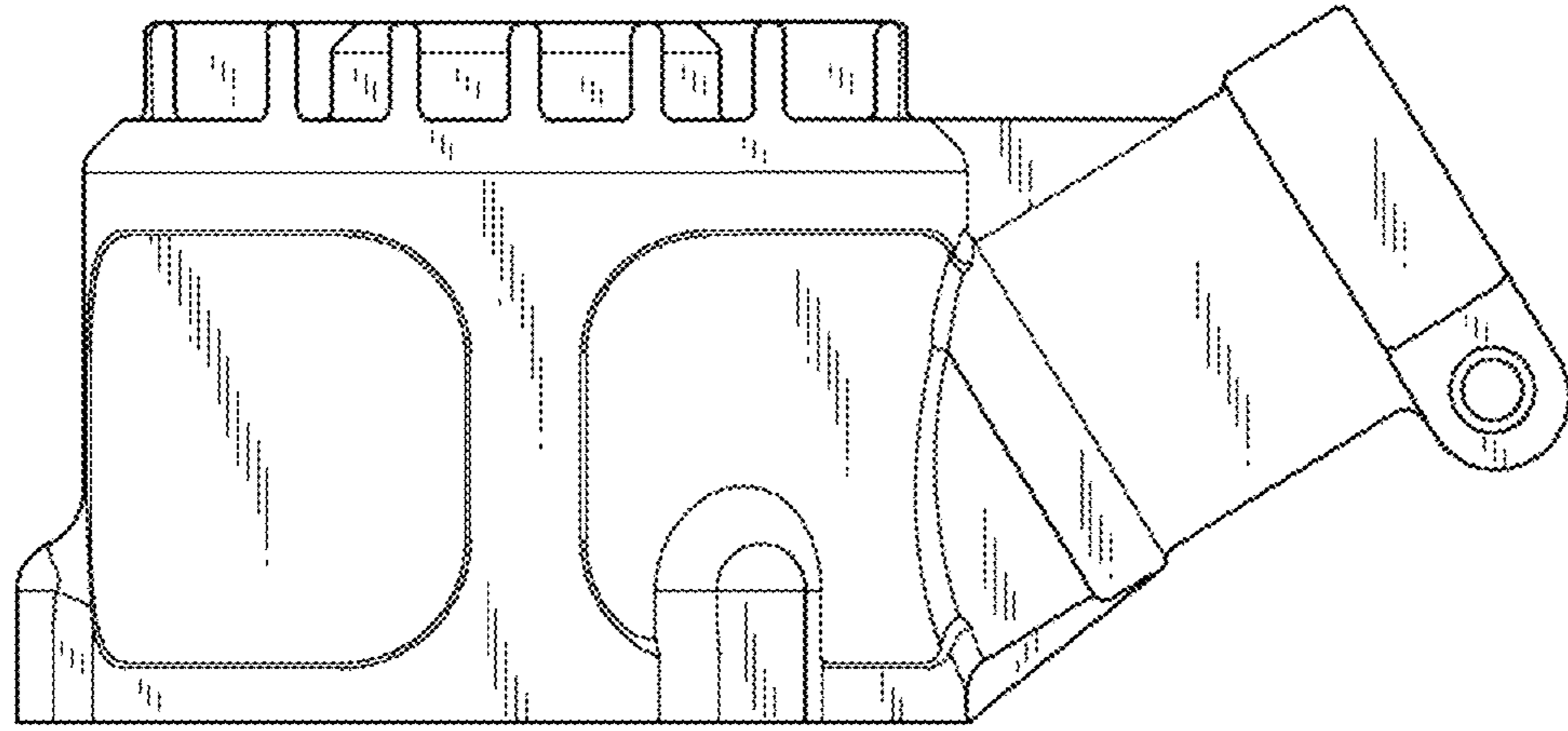


FIG. 2

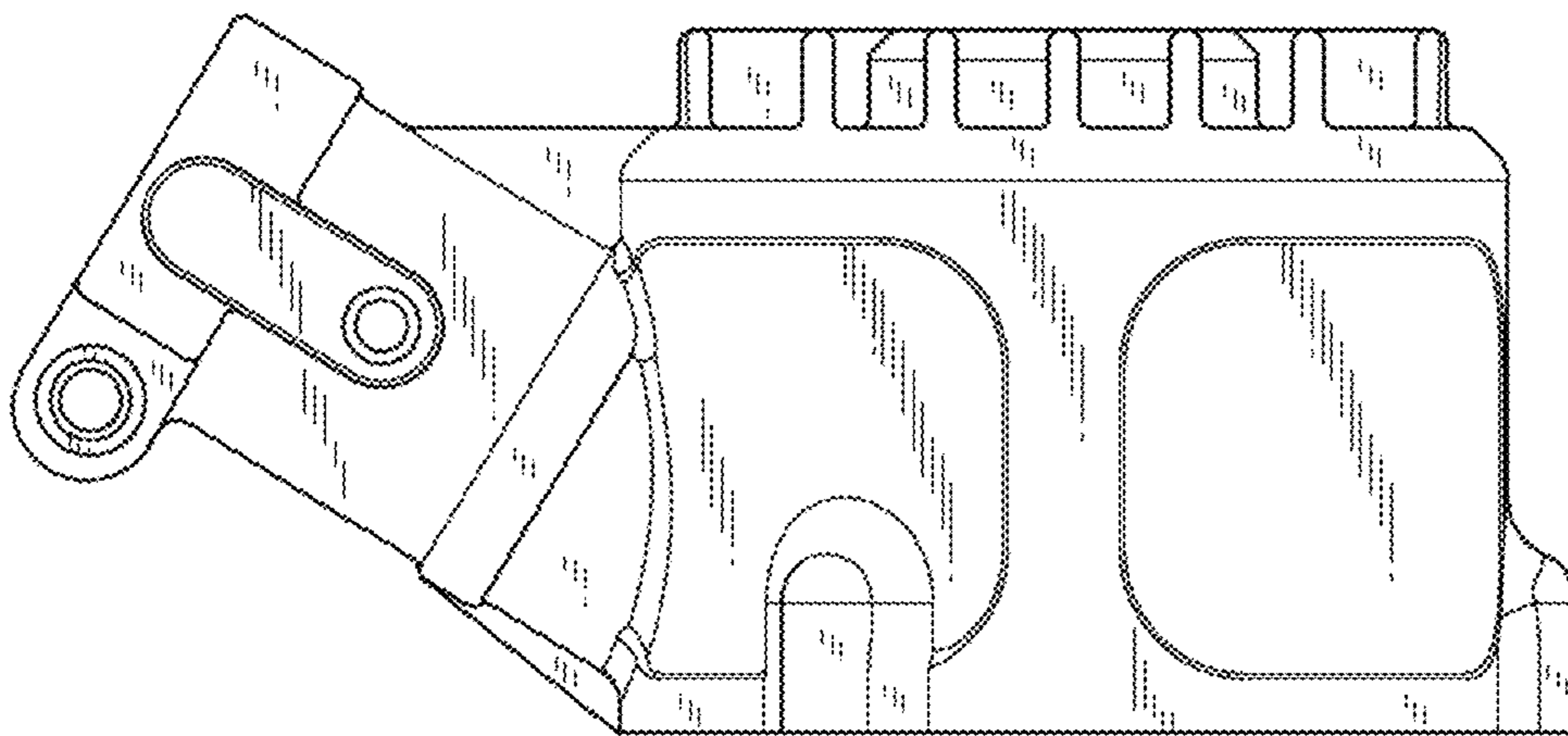


FIG. 3

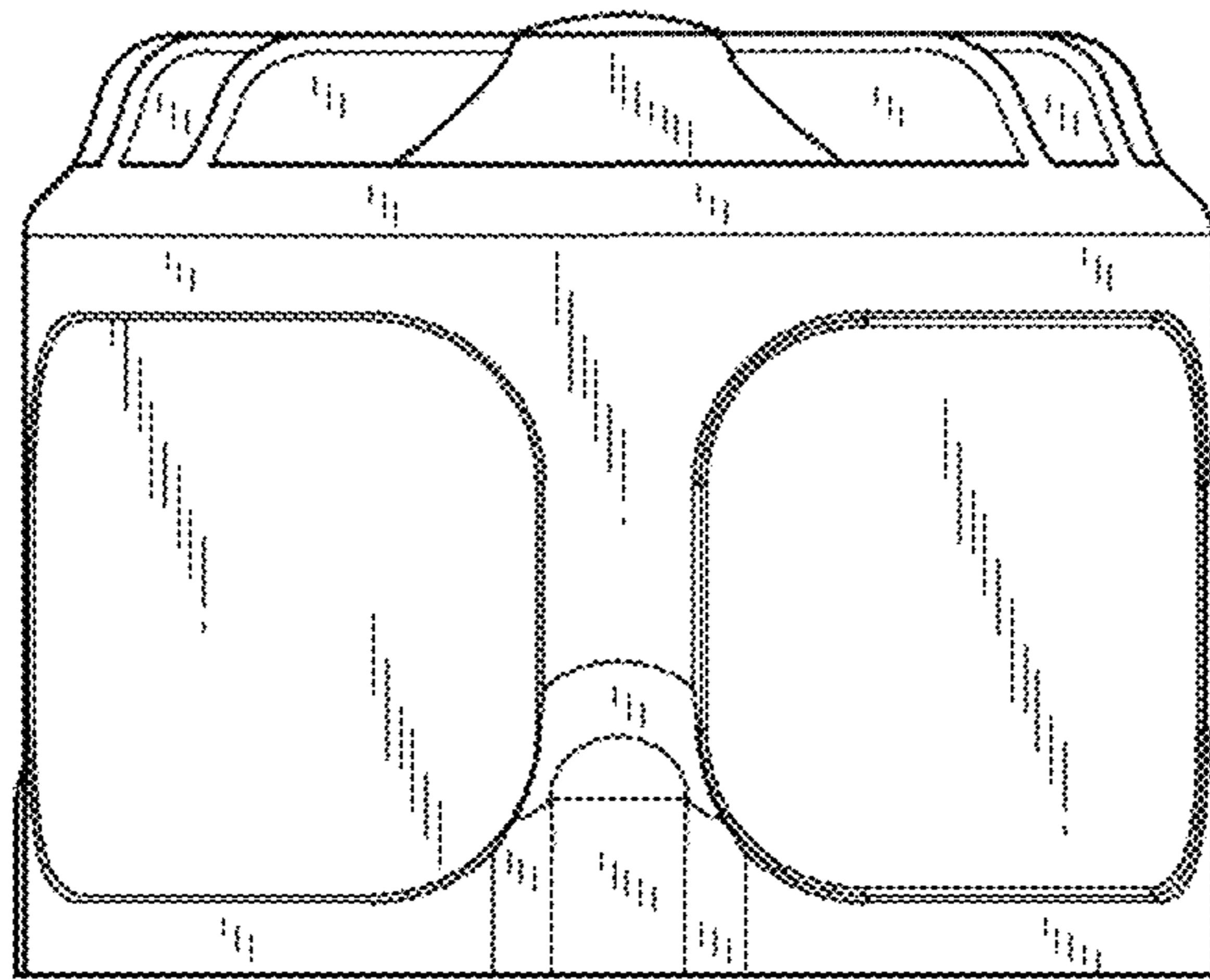


FIG. 4

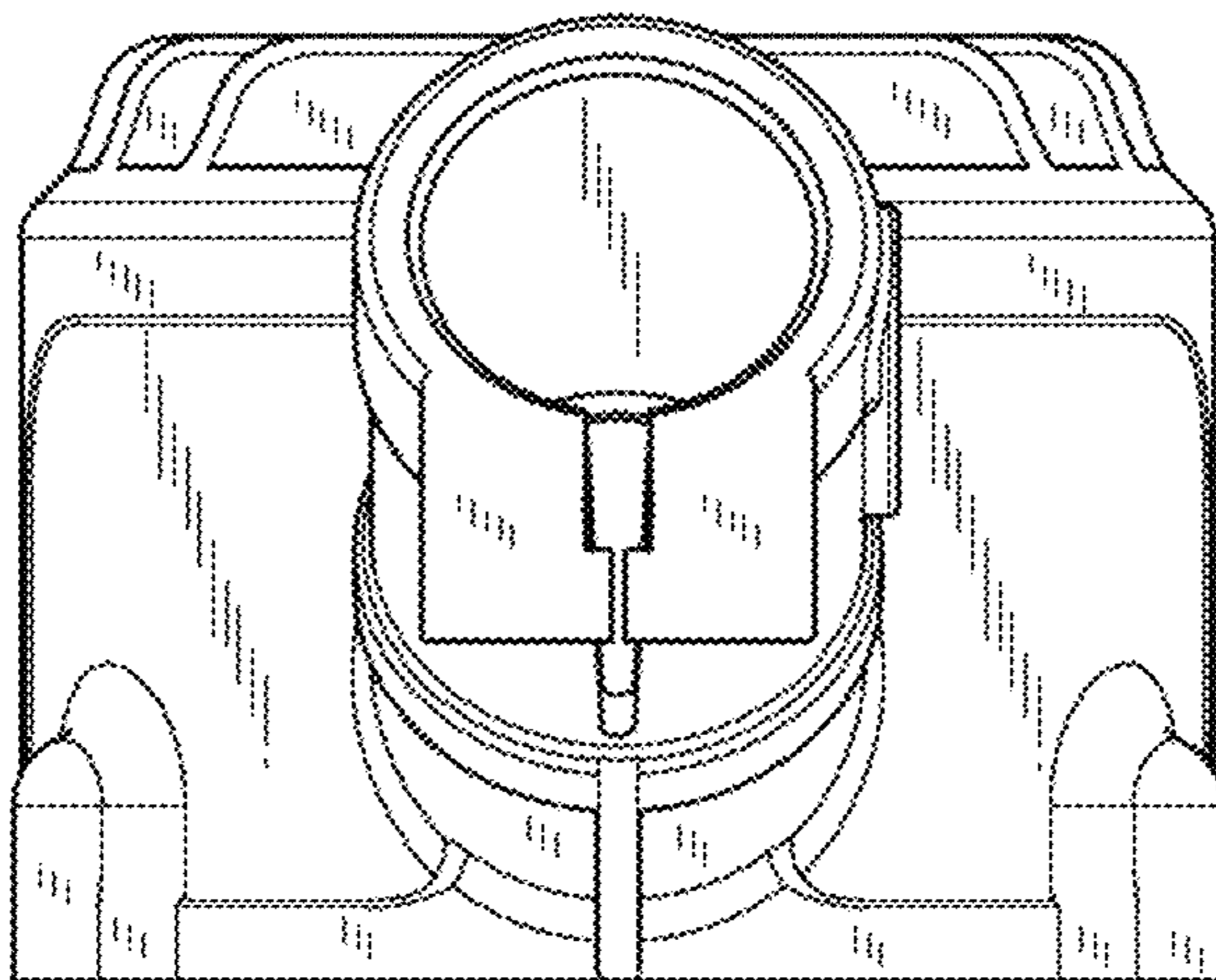


FIG. 5

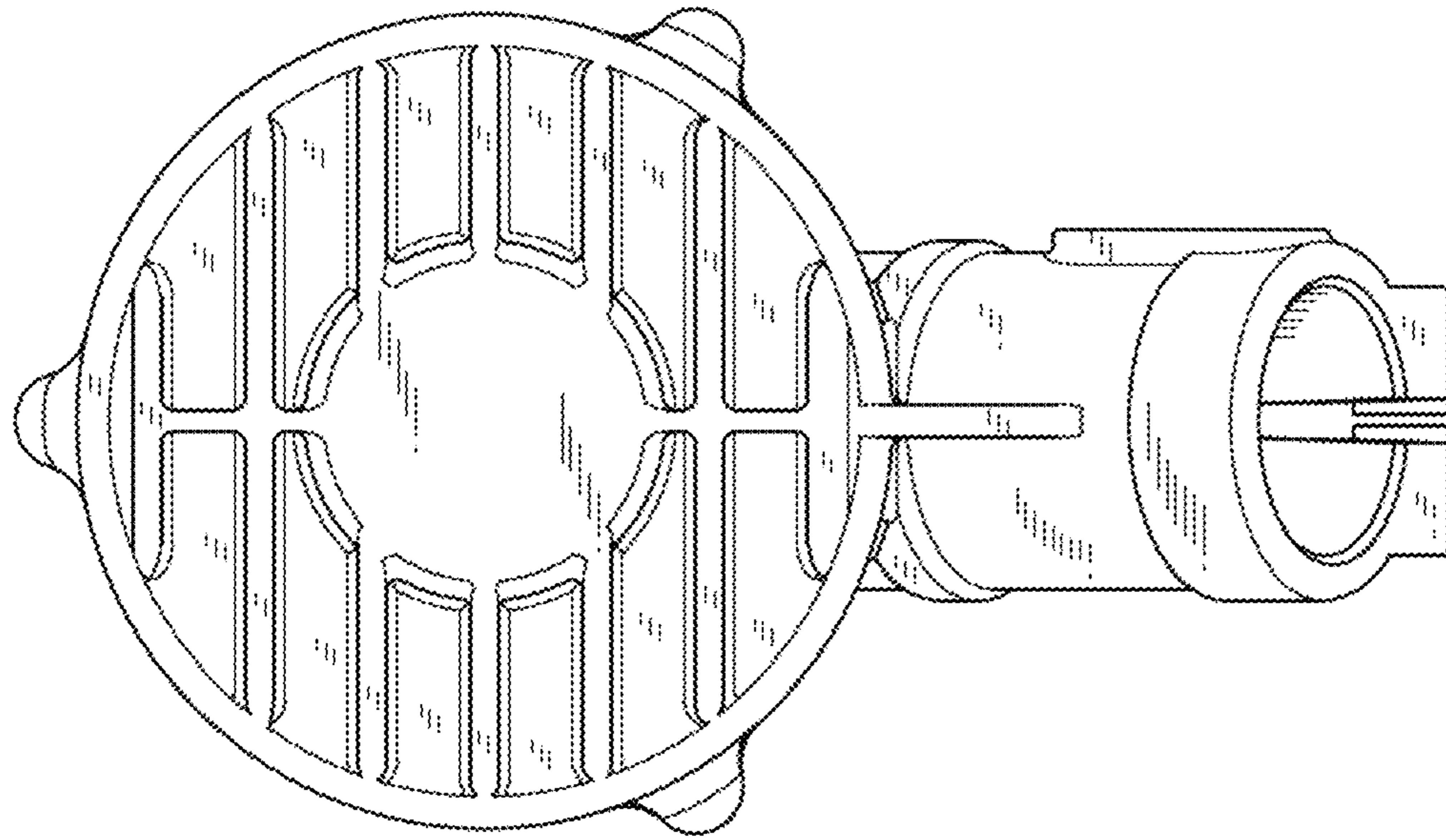


FIG. 6

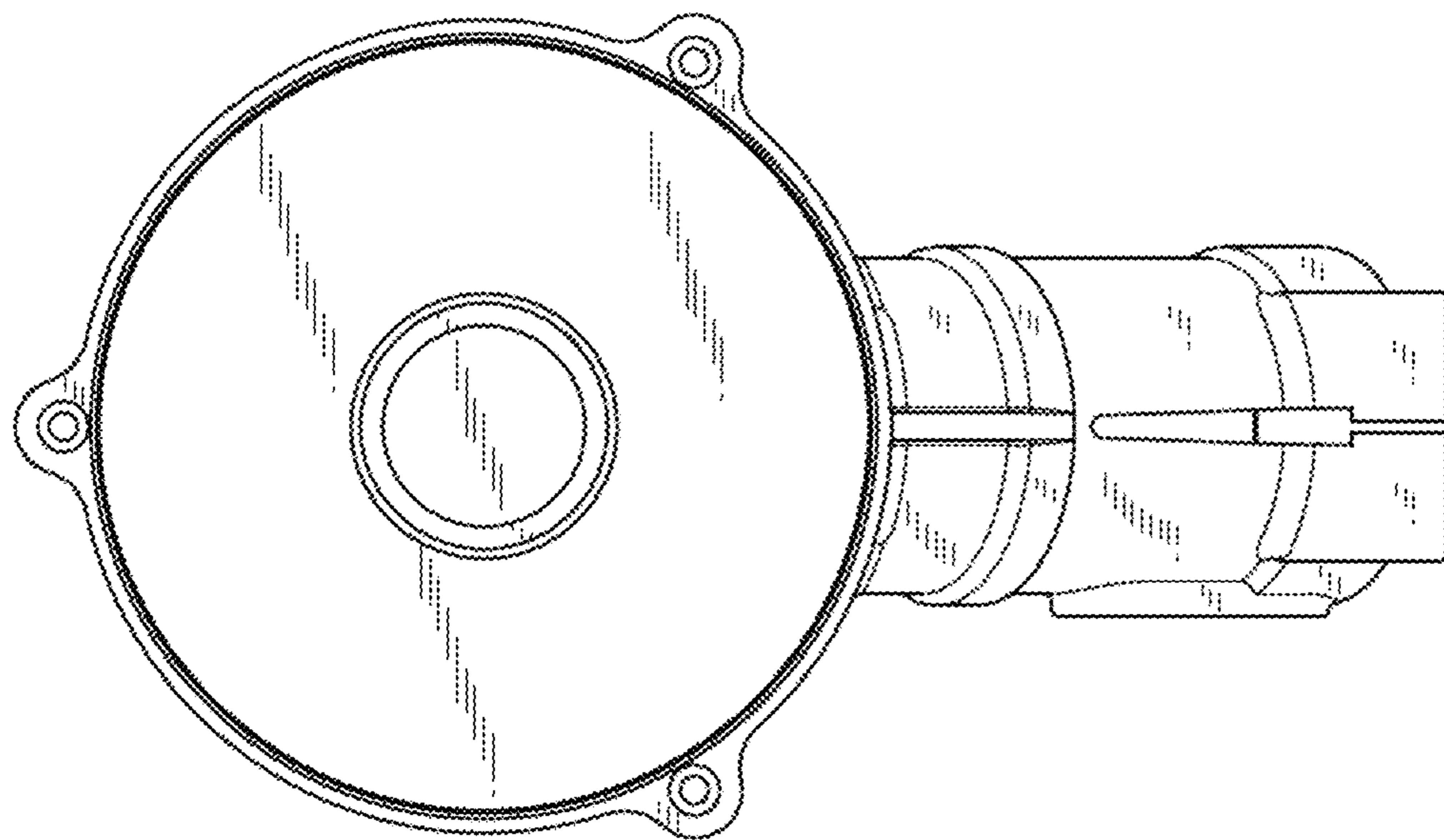


FIG. 7