



US00D777794S

(12) **United States Design Patent**  
**Wipper et al.**

(10) **Patent No.:** **US D777,794 S**  
(45) **Date of Patent:** **\*\* Jan. 31, 2017**

(54) **COMPRESSOR**

(71) Applicant: **BITZER Kuehlmaschinenbau GmbH**,  
Sindelfingen (DE)

(72) Inventors: **Bertram Wipper**, Leipzig (DE);  
**Mathias Beyer**, Leipzig (DE)

(73) Assignee: **BITZER Kuehlmaschinenbau GmbH**,  
Sindelfingen (DE)

(\*\*) Term: **14 Years**

(21) Appl. No.: **29/523,692**

(22) Filed: **Apr. 13, 2015**

(30) **Foreign Application Priority Data**

Oct. 13, 2014 (EM) ..... 002555896

Oct. 13, 2014 (EM) ..... 002555896-0001

(Continued)

(51) **LOC (10) Cl.** ..... **15-02**

(52) **U.S. Cl.**

USPC ..... **D15/9**

(58) **Field of Classification Search**

USPC ..... D15/7-9; D23/231, 232; 417/410.1, 359,  
417/415-416, 234, 321, 265, 405, 222.1

(Continued)

(56) **References Cited**

**U.S. PATENT DOCUMENTS**

D394,068 S \* 5/1998 Pollrich ..... D15/9

D466,522 S \* 12/2002 Huang ..... D15/7

(Continued)

**OTHER PUBLICATIONS**

U.S. Appl. No. 29/466,228, filed Sep. 5, 2013, Ohser.

(Continued)

*Primary Examiner* — Ralf Seifert

(74) *Attorney, Agent, or Firm* — Reinhart Boerner Van  
Deuren P.C.

(57) **CLAIM**

We claim the ornamental design for the compressor, as  
shown and described.

**DESCRIPTION**

FIG. 1 is a front right-side perspective view of a first  
embodiment of a compressor;

FIG. 2 is a front view of the compressor of FIG. 1;

FIG. 3 is a rear view of the compressor of FIG. 1;

FIG. 4 is a top view of the compressor of FIG. 1;

FIG. 5 is a bottom view of the compressor of FIG. 1;

FIG. 6 is a right-side view of the compressor of FIG. 1;

FIG. 7 is a left-side view of the compressor of FIG. 1;

FIG. 8 is a front right-side perspective view of another  
embodiment of a compressor;

FIG. 9 is a front view of the compressor of FIG. 8;

FIG. 10 is a rear view of the compressor of FIG. 8;

FIG. 11 is a top view of the compressor of FIG. 8;

FIG. 12 is a bottom view of the compressor of FIG. 8;

FIG. 13 is a right-side view of the compressor of FIG. 8;

FIG. 14 is a left-side view of the compressor of FIG. 8;

FIG. 15 is a front right-side perspective view of a compres-  
sor showing the second embodiment of our new design;

FIG. 16 is a front view of the compressor of FIG. 15;

FIG. 17 is a rear view of the compressor of FIG. 15;

FIG. 18 is a top view of the compressor of FIG. 15;

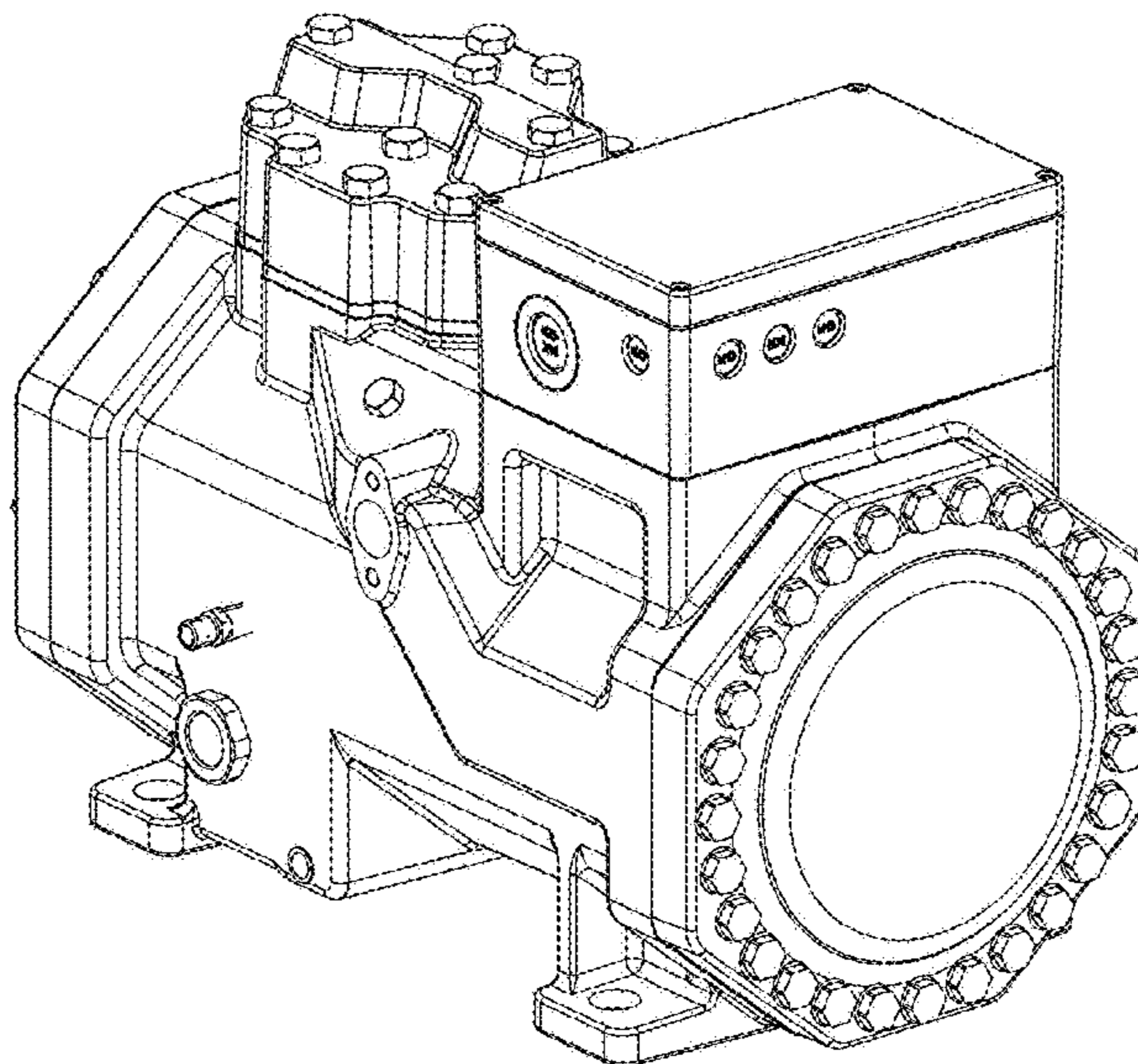
FIG. 19 is a bottom view of the compressor of FIG. 15;

FIG. 20 is a right-side view of the compressor of FIG. 15;

and,

FIG. 21 is a left-side view of the compressor of FIG. 15.

**1 Claim, 21 Drawing Sheets**



(30) **Foreign Application Priority Data**

Oct. 13, 2014 (EM) ..... 002555896-0002  
Oct. 13, 2014 (EM) ..... 002555896-0009  
Oct. 13, 2014 (EM) ..... 002555896-0010  
Oct. 13, 2014 (EM) ..... 002555896-0011

(58) **Field of Classification Search**

CPC ..... F01B 3/00; F01B 13/04; F01B 1/26;  
F04B 1/12; F04B 39/124; F04B 27/08  
See application file for complete search history.

(56) **References Cited**

U.S. PATENT DOCUMENTS

D467,254 S 12/2002 Ullrich  
D479,247 S 9/2003 Ullrich  
D531,194 S 10/2006 Hertenstein et al.  
D538,826 S 3/2007 Kienzle  
D595,748 S 7/2009 Kratschmer  
D684,197 S 6/2013 Kienzle et al.  
D690,324 S 9/2013 Kienzle et al.  
D709,524 S 7/2014 Ohser et al.  
D717,344 S 11/2014 Ohser et al.  
D732,641 S 6/2015 Hermann  
D733,764 S \* 7/2015 Ohser ..... D15/9  
D745,896 S \* 12/2015 Ohser ..... D15/9

OTHER PUBLICATIONS

U.S. Appl. No. 29/501,852, filed Sep. 9, 2014, Ohser et al.  
U.S. Appl. No. 29/502,097, filed Sep. 11, 2014, Kienzle.  
U.S. Appl. No. 29/523,686, filed Apr. 13, 2015, Mikulic.

\* cited by examiner

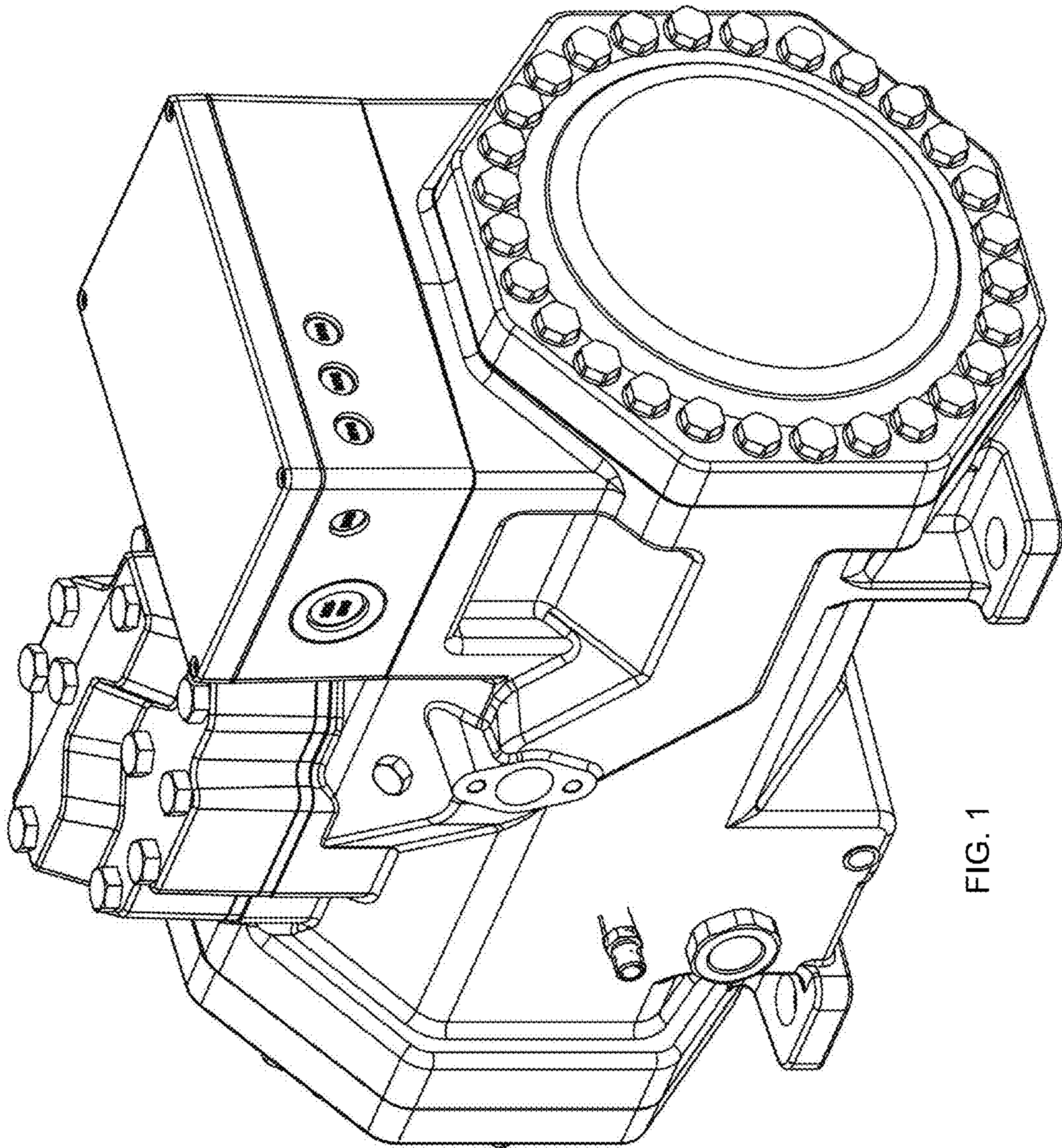


FIG. 1

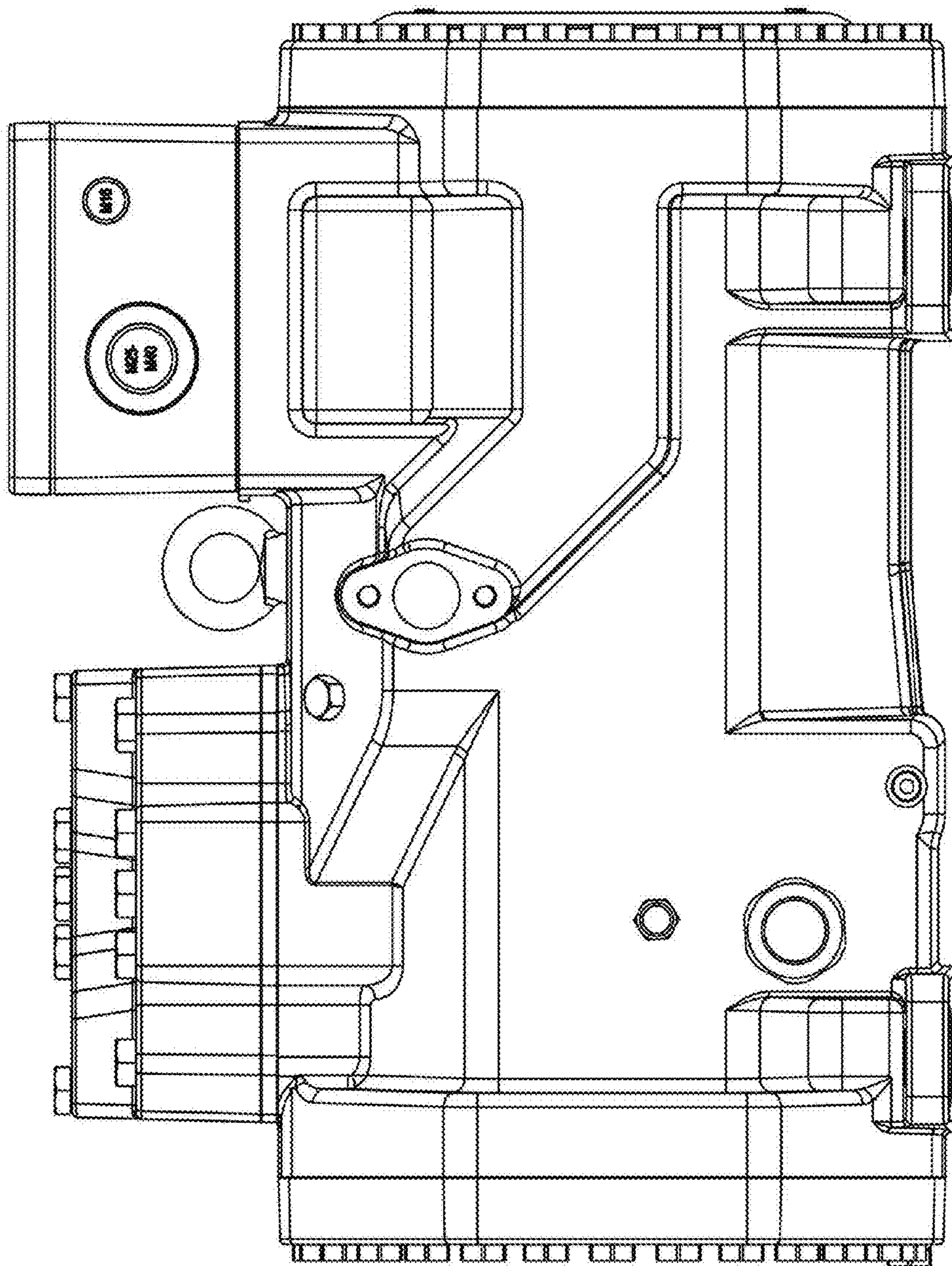


FIG. 2

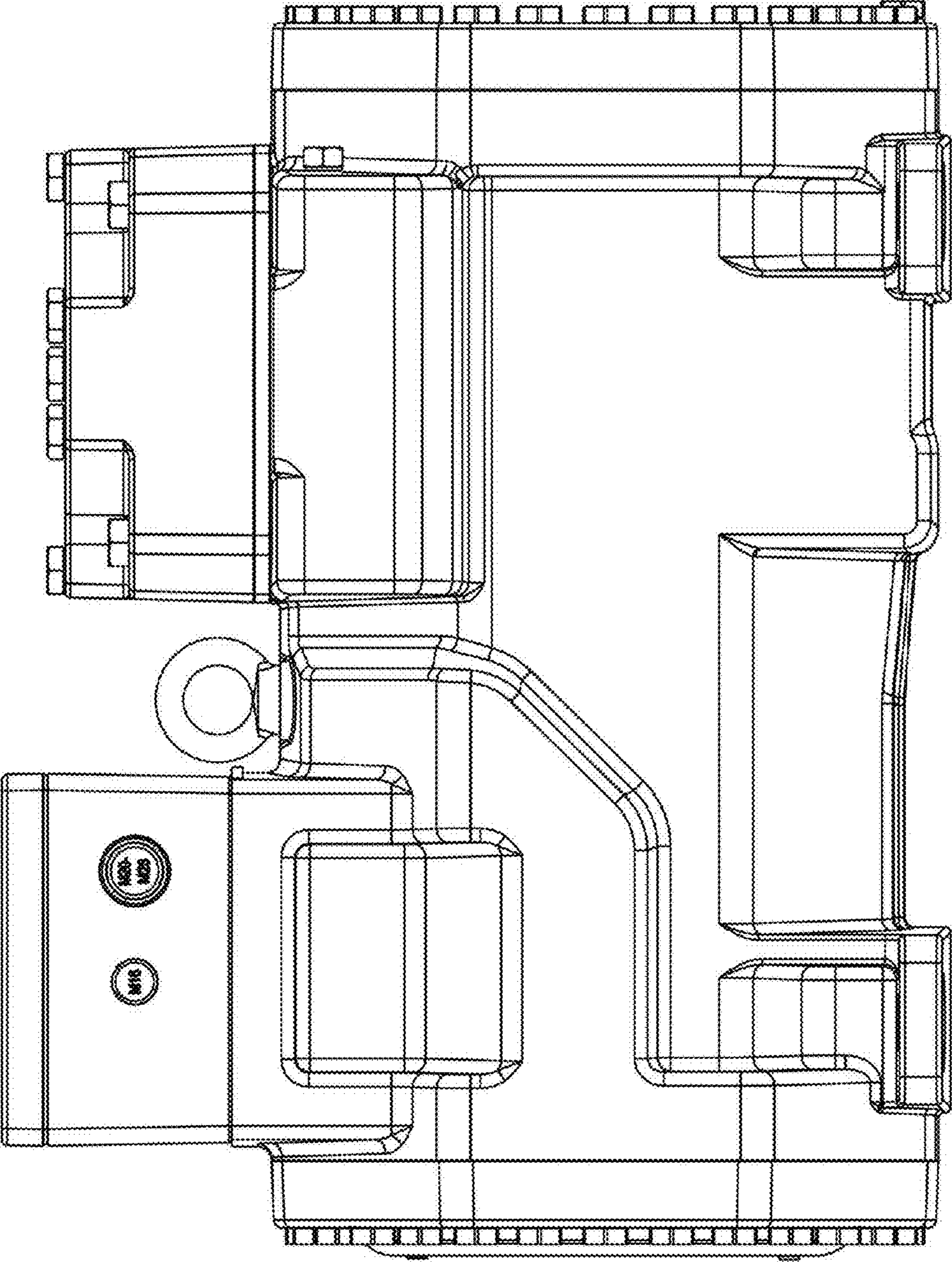


FIG. 3

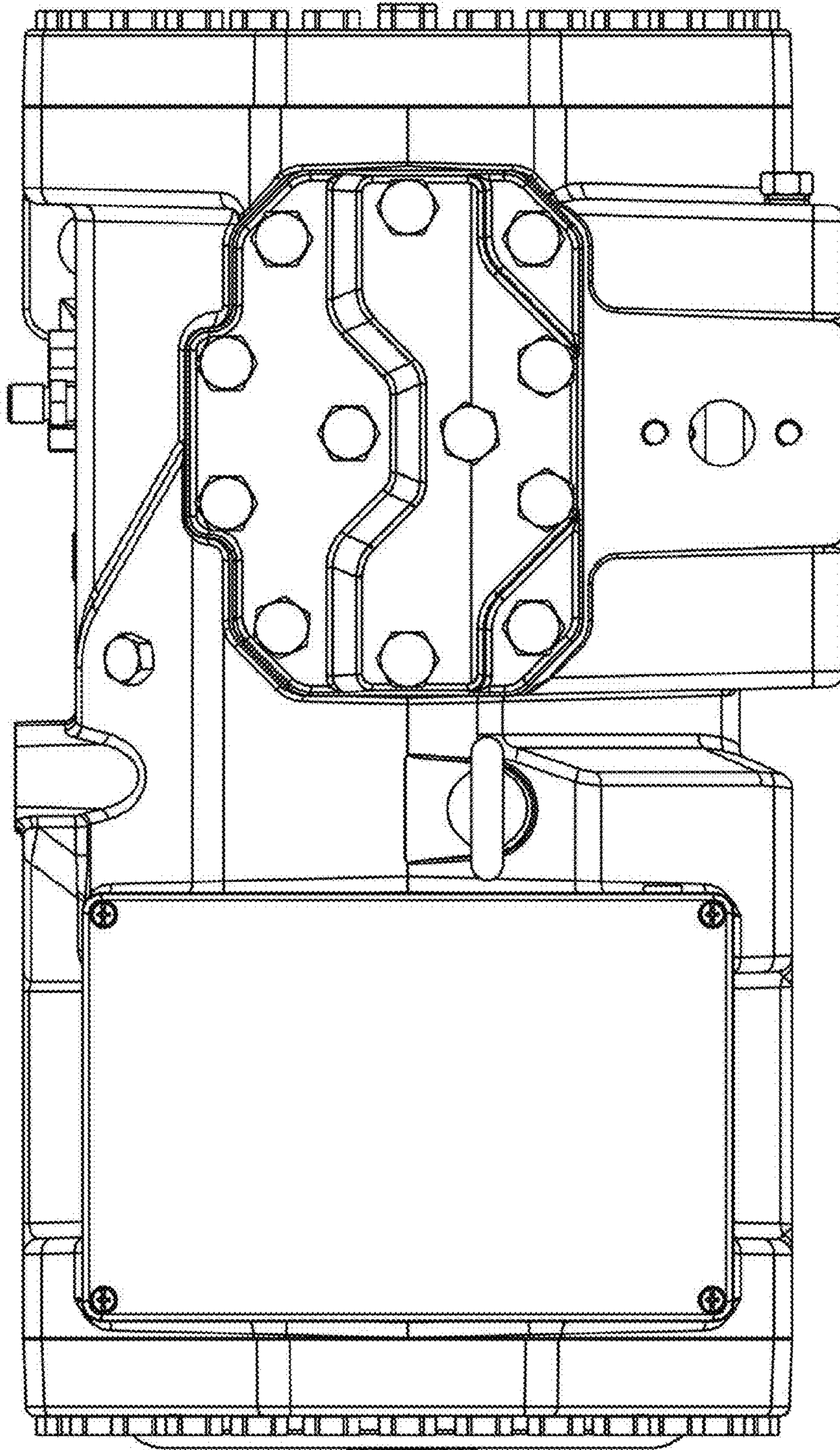


FIG. 4

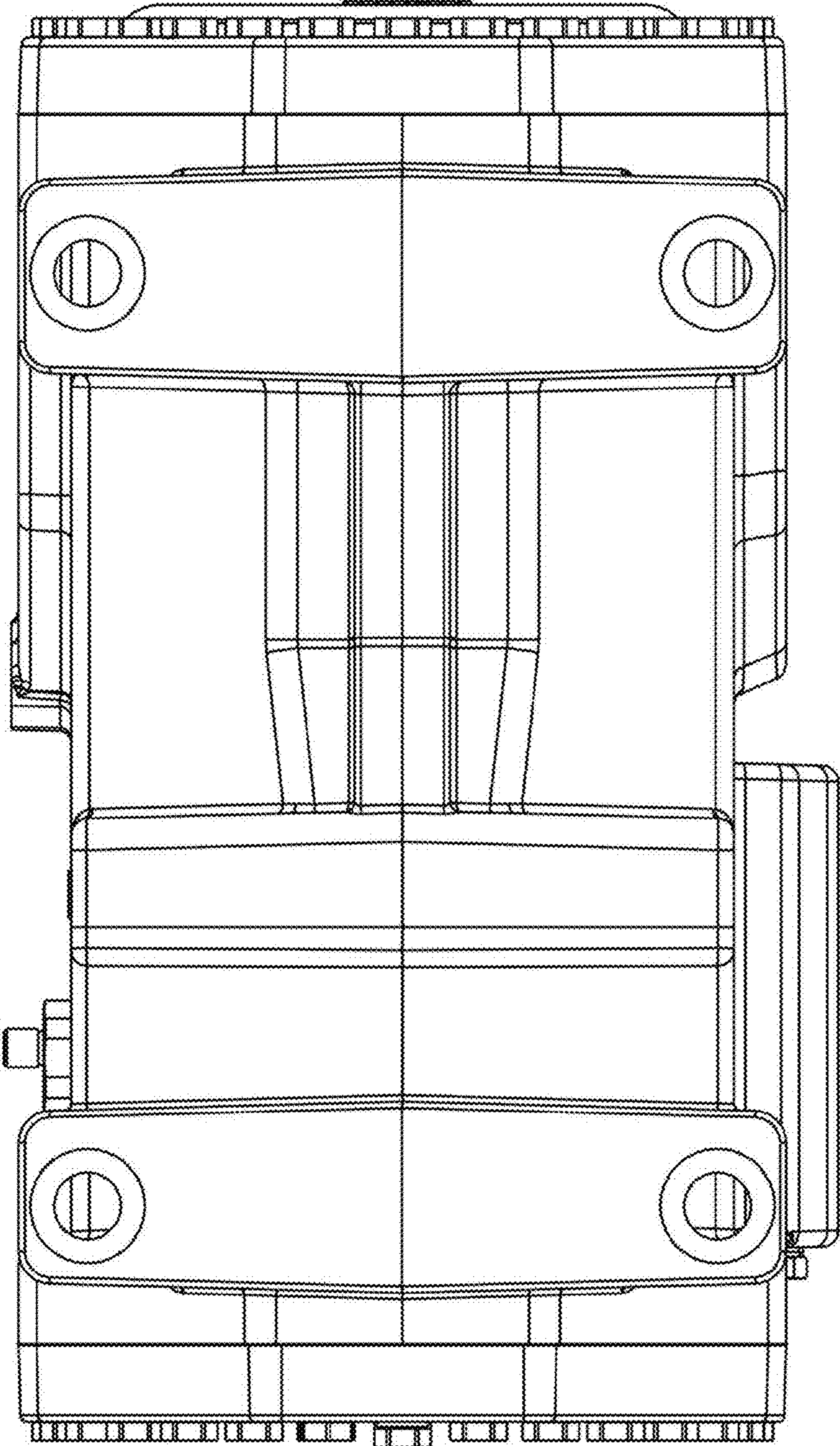


FIG. 5

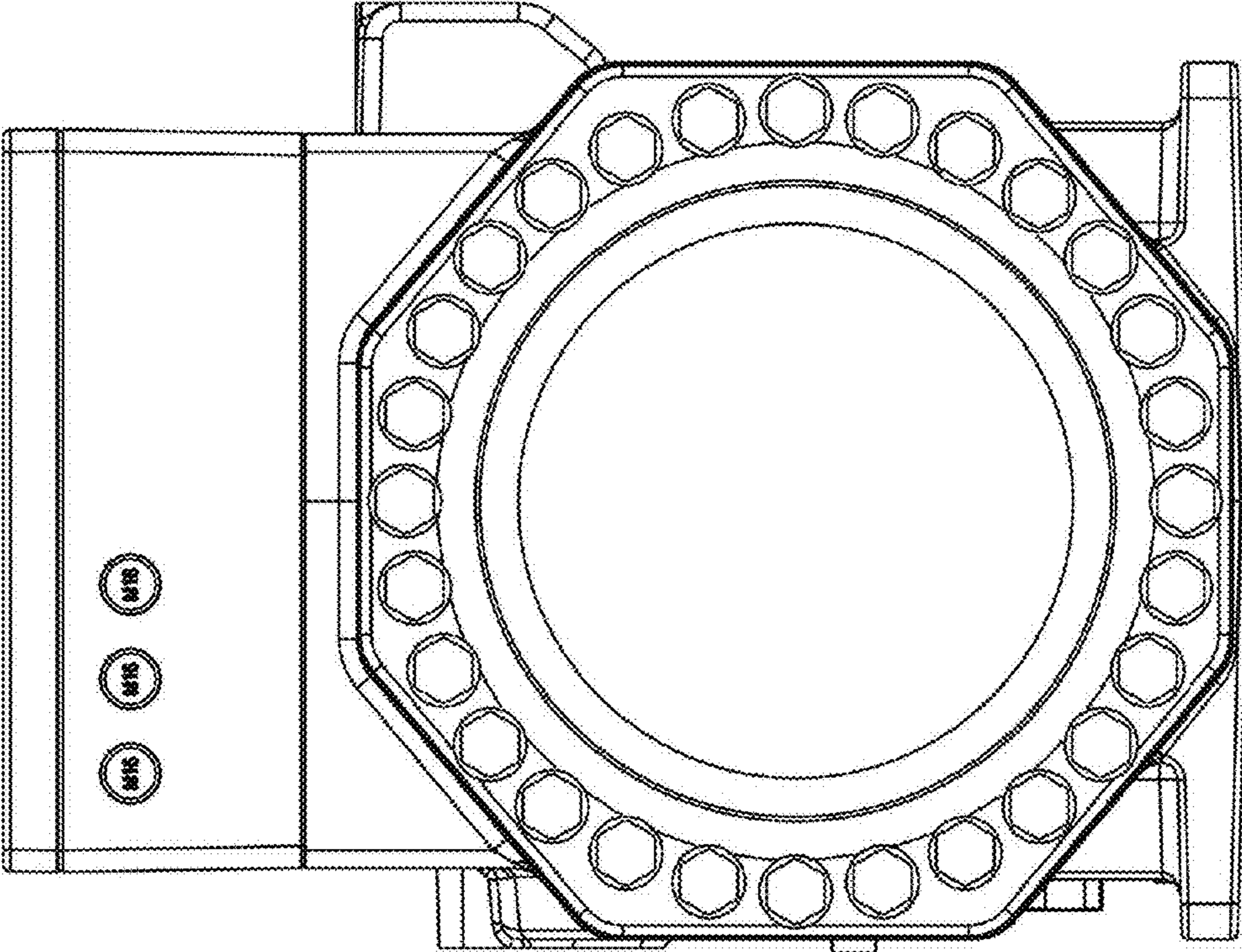


FIG. 6



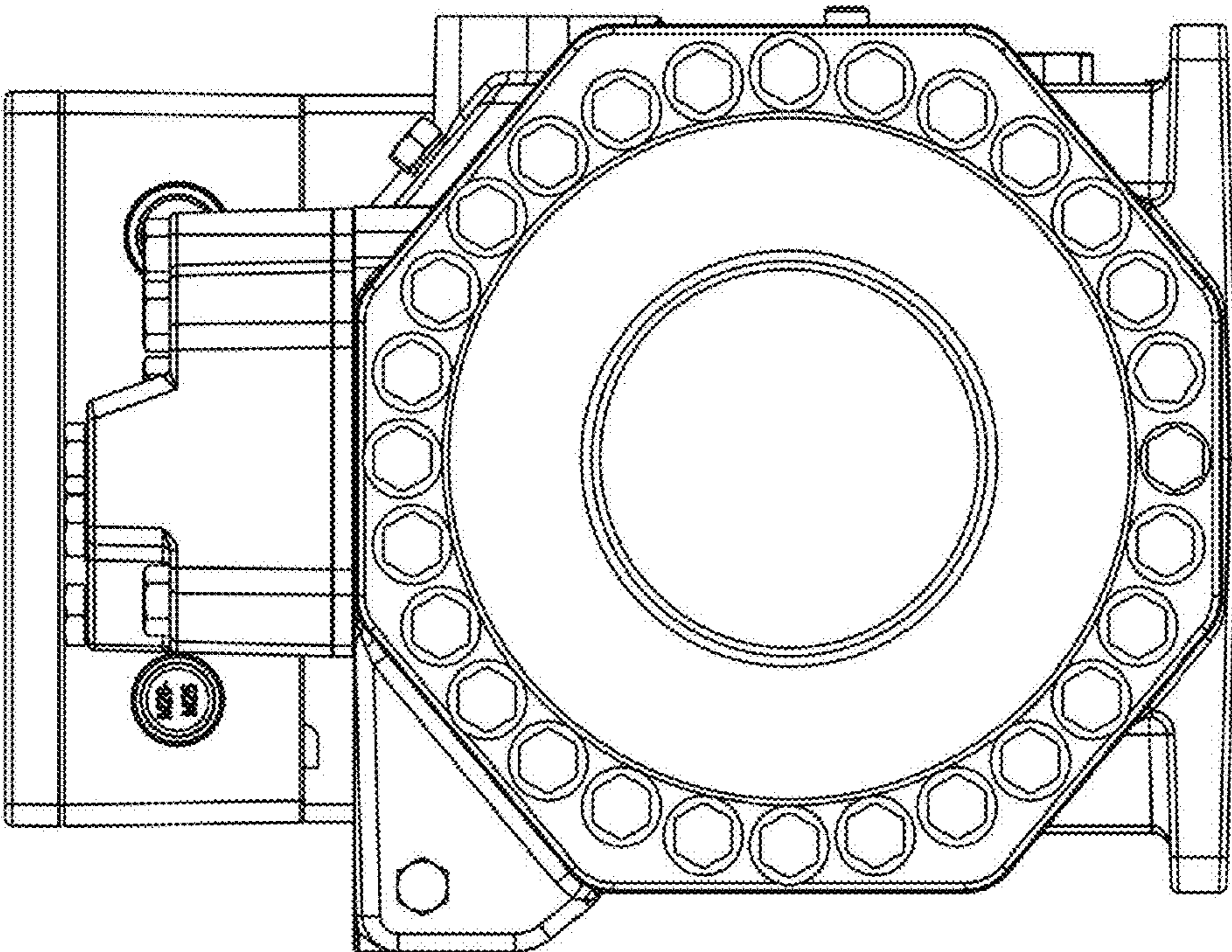


FIG. 7

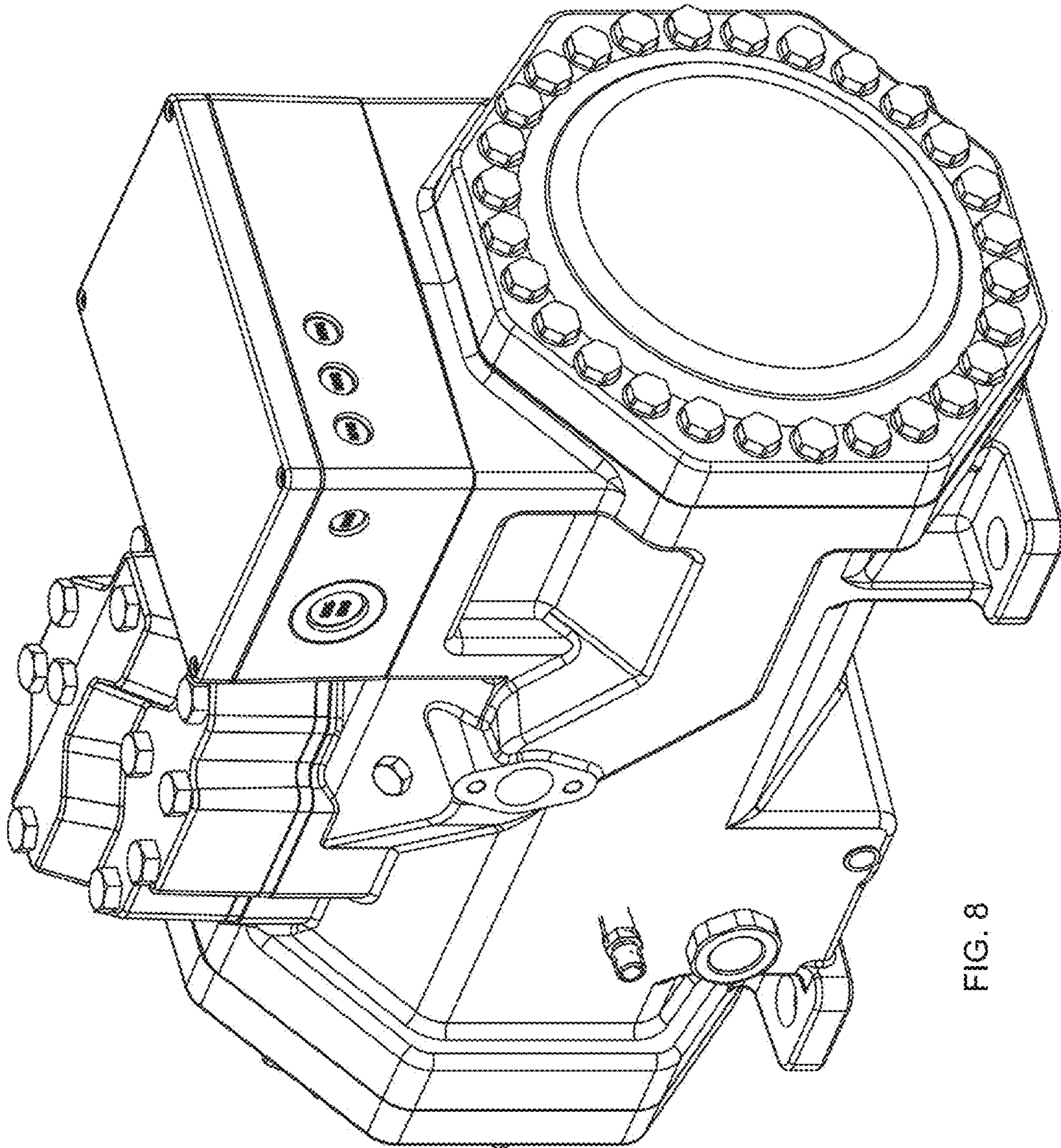


FIG. 8

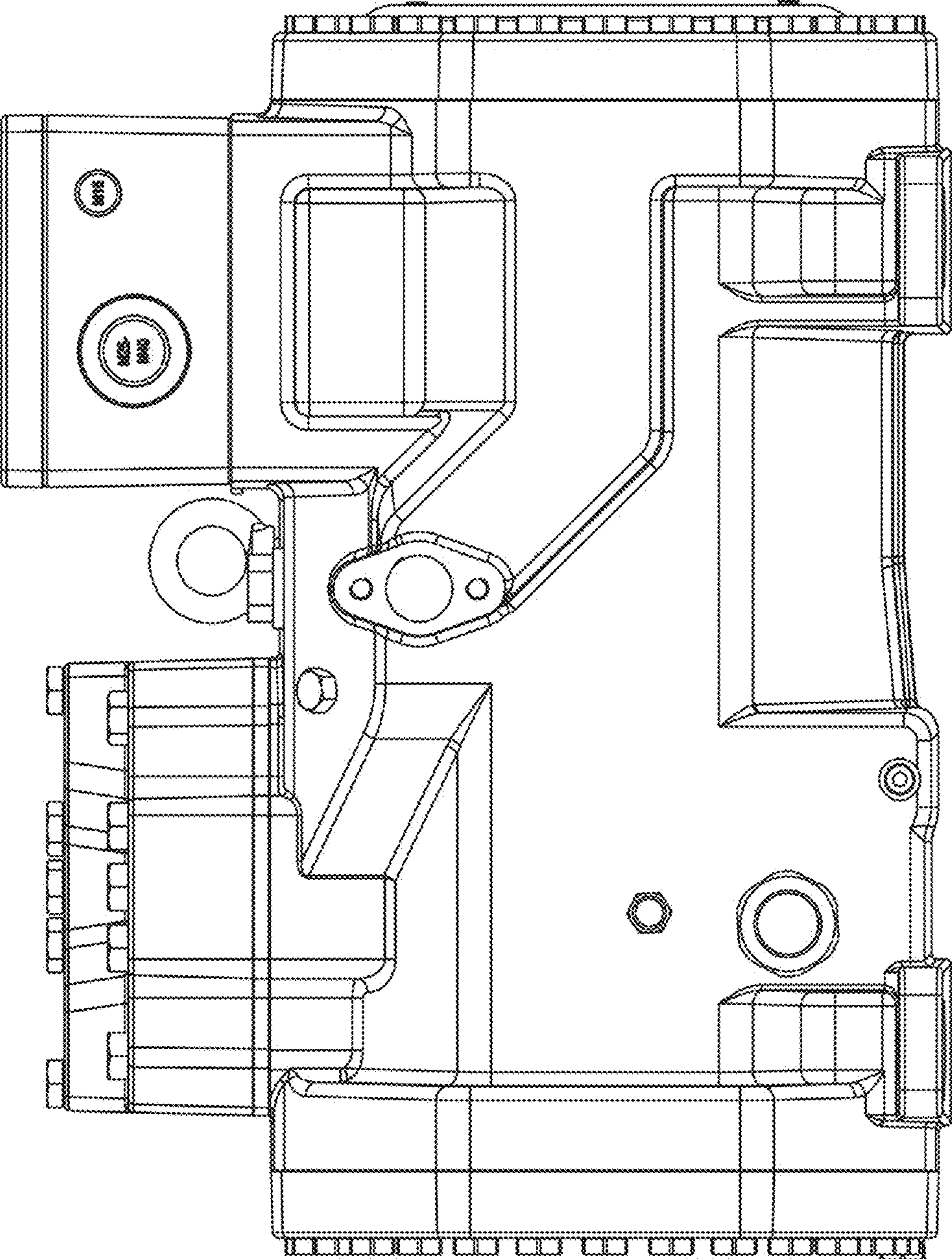


FIG. 9

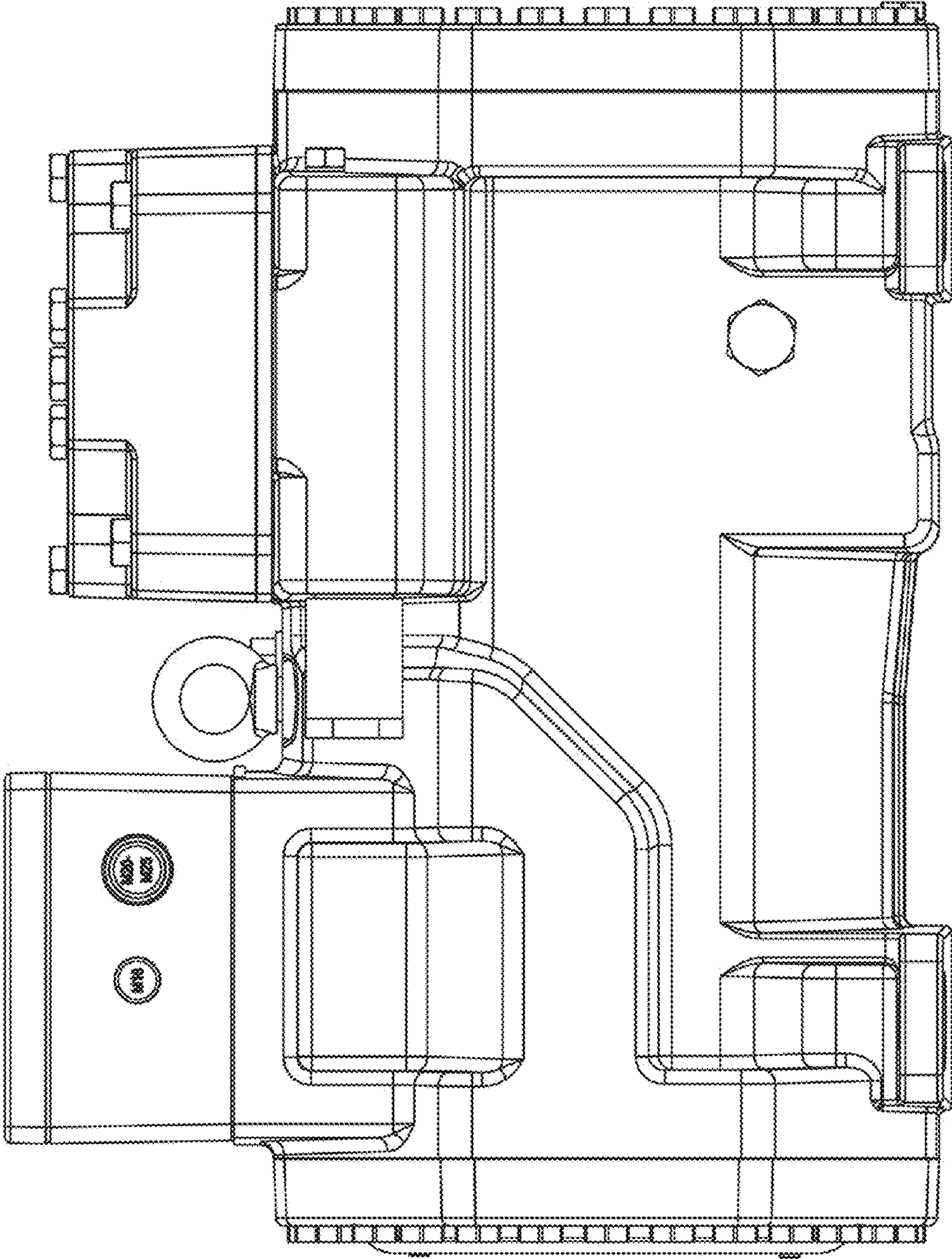


FIG. 10

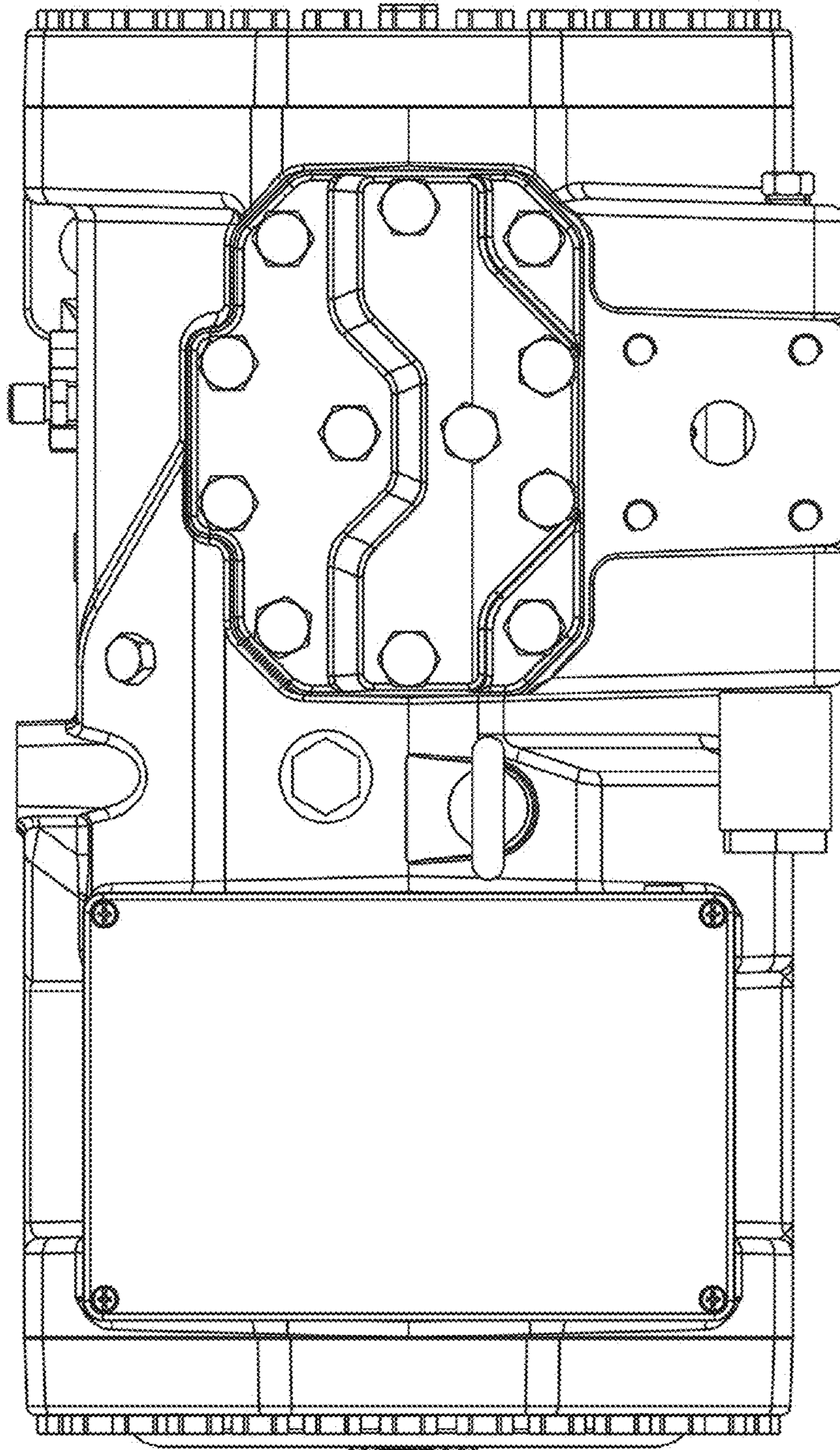


FIG. 11

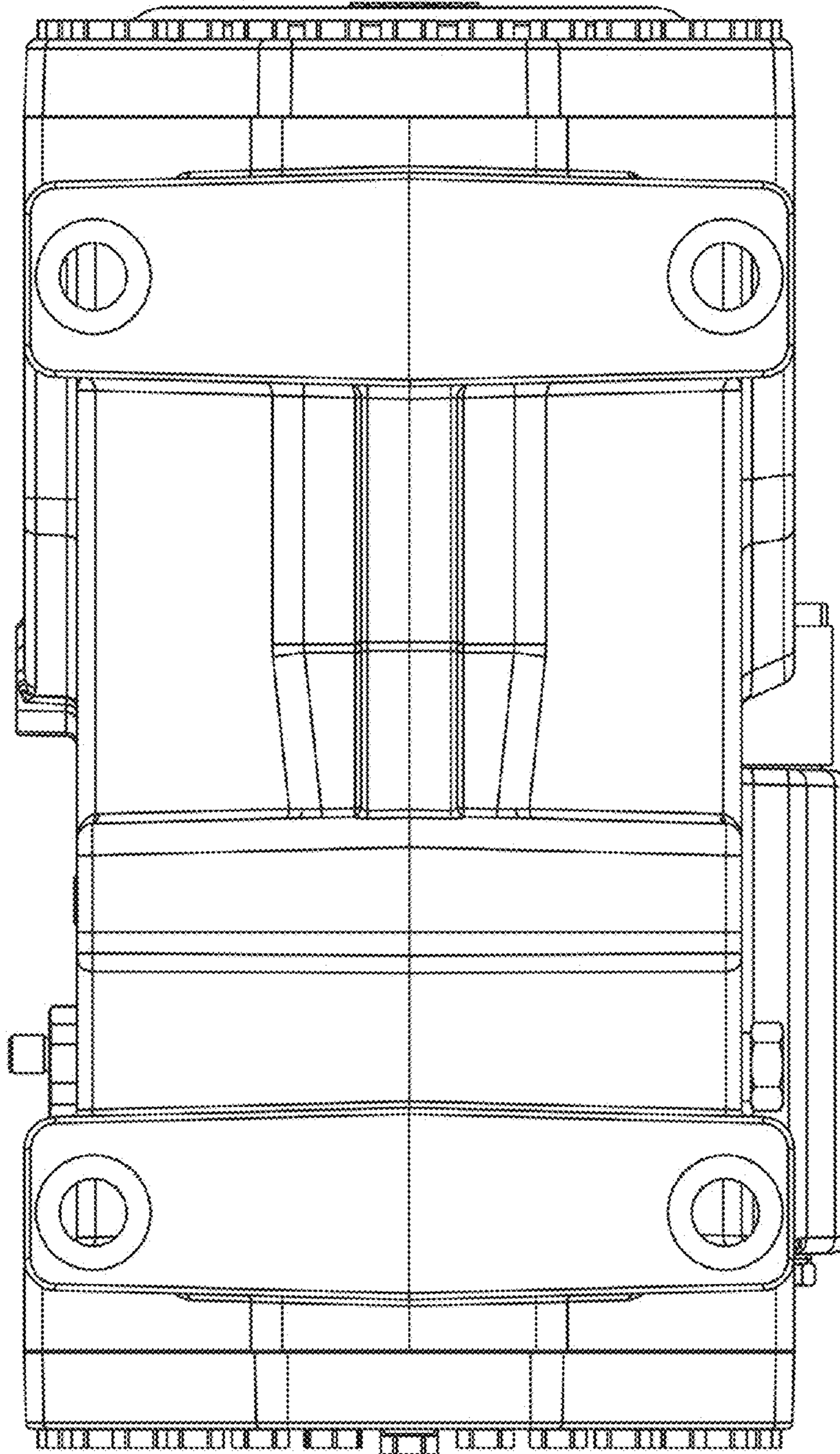


FIG. 12

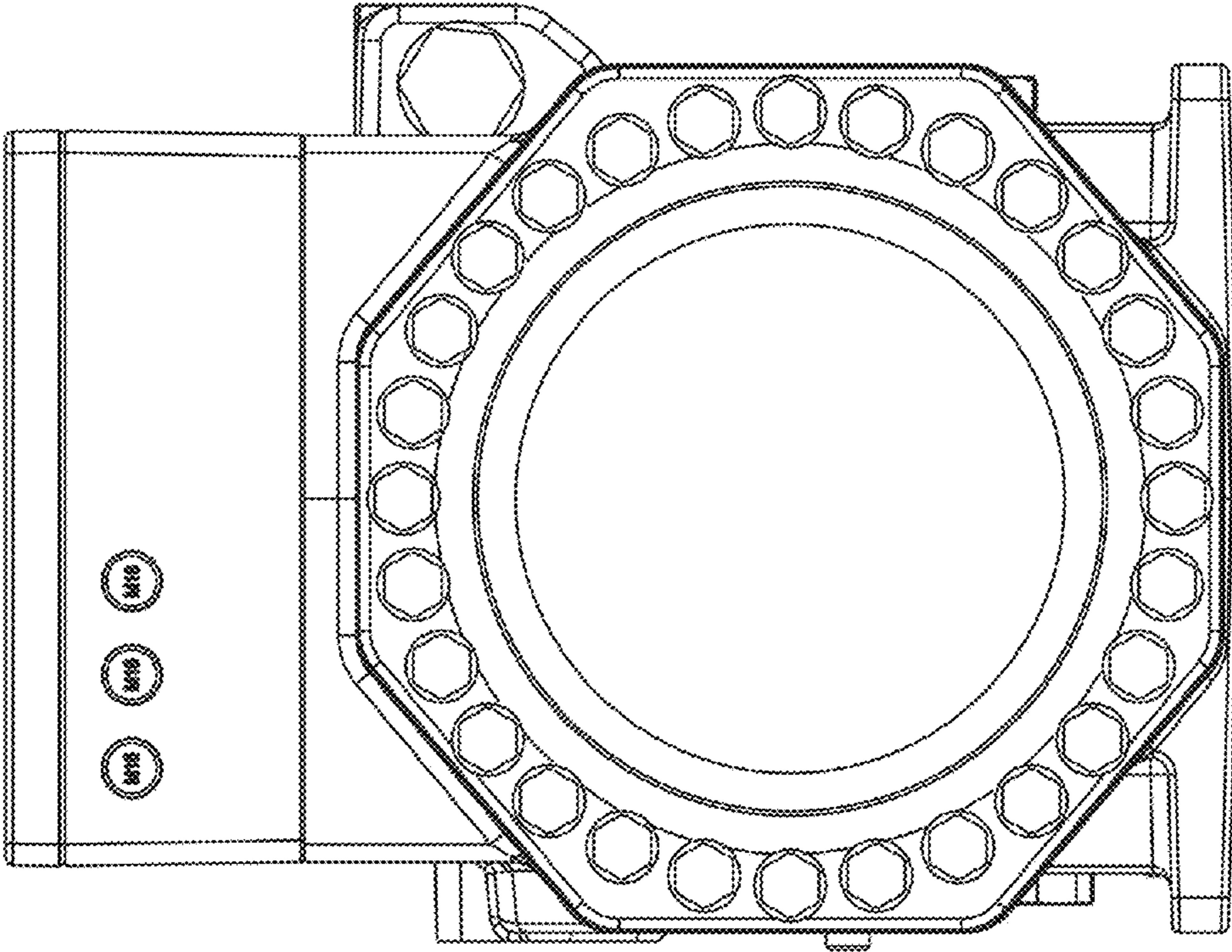


FIG. 13

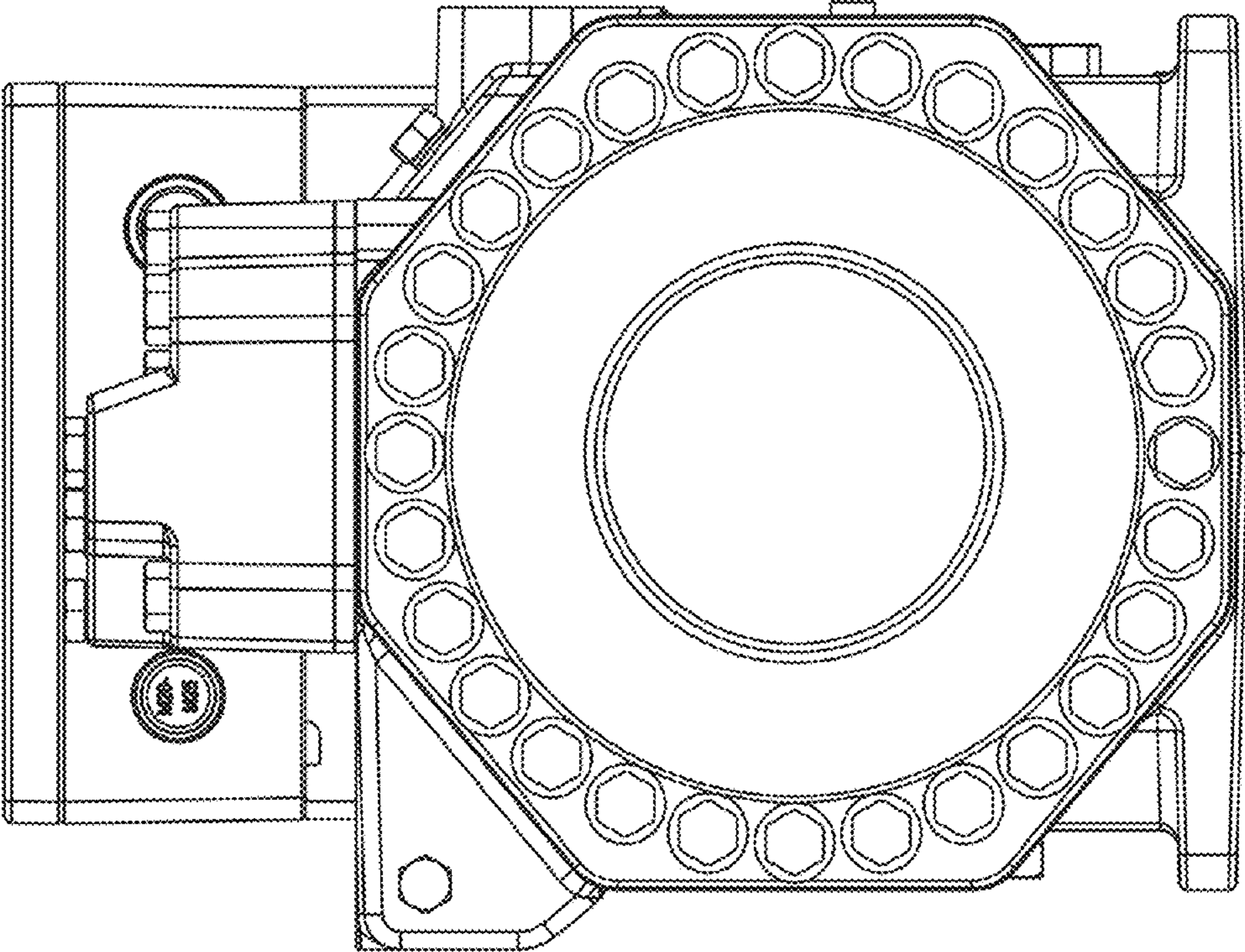


FIG. 14



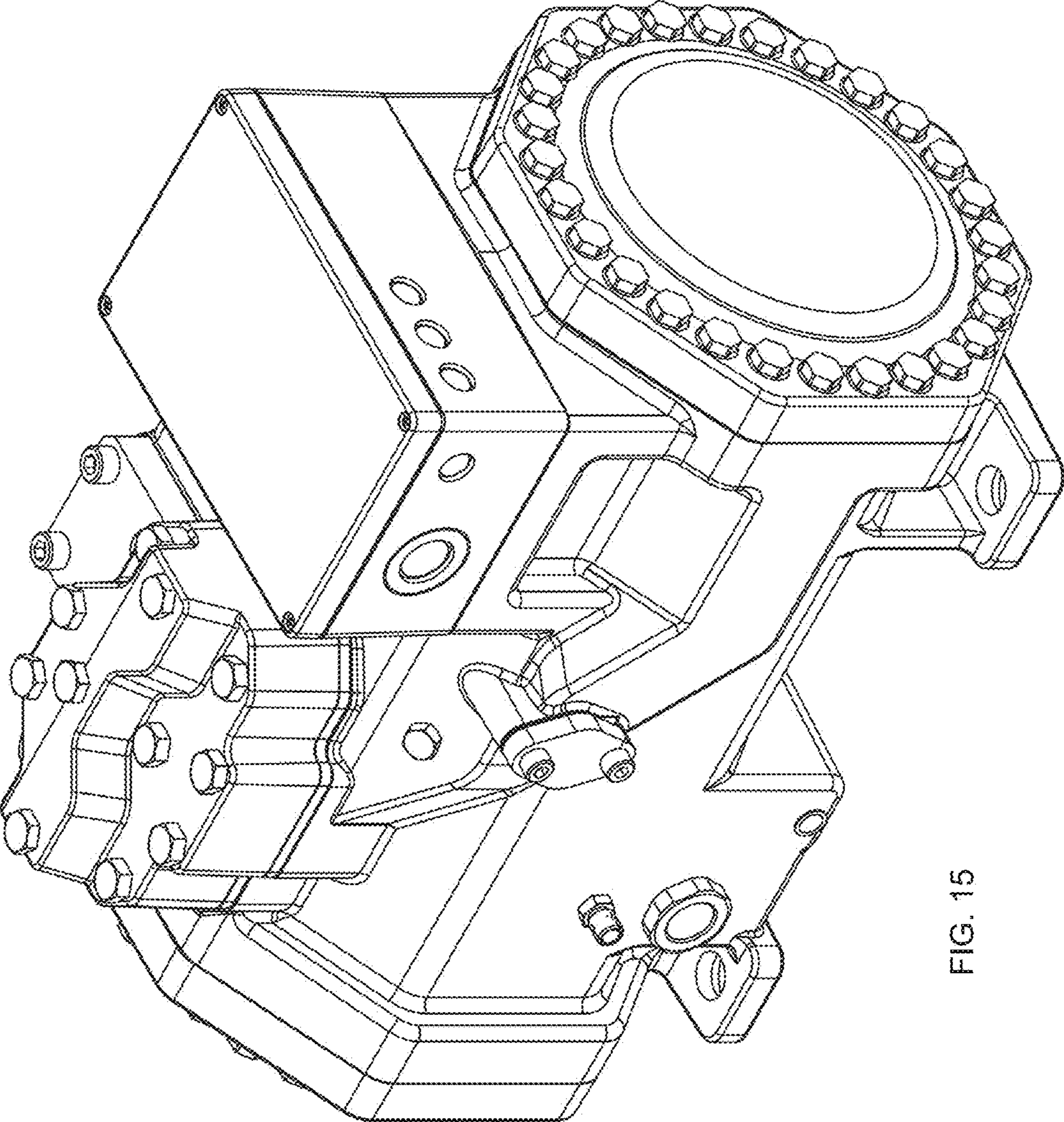


FIG. 15

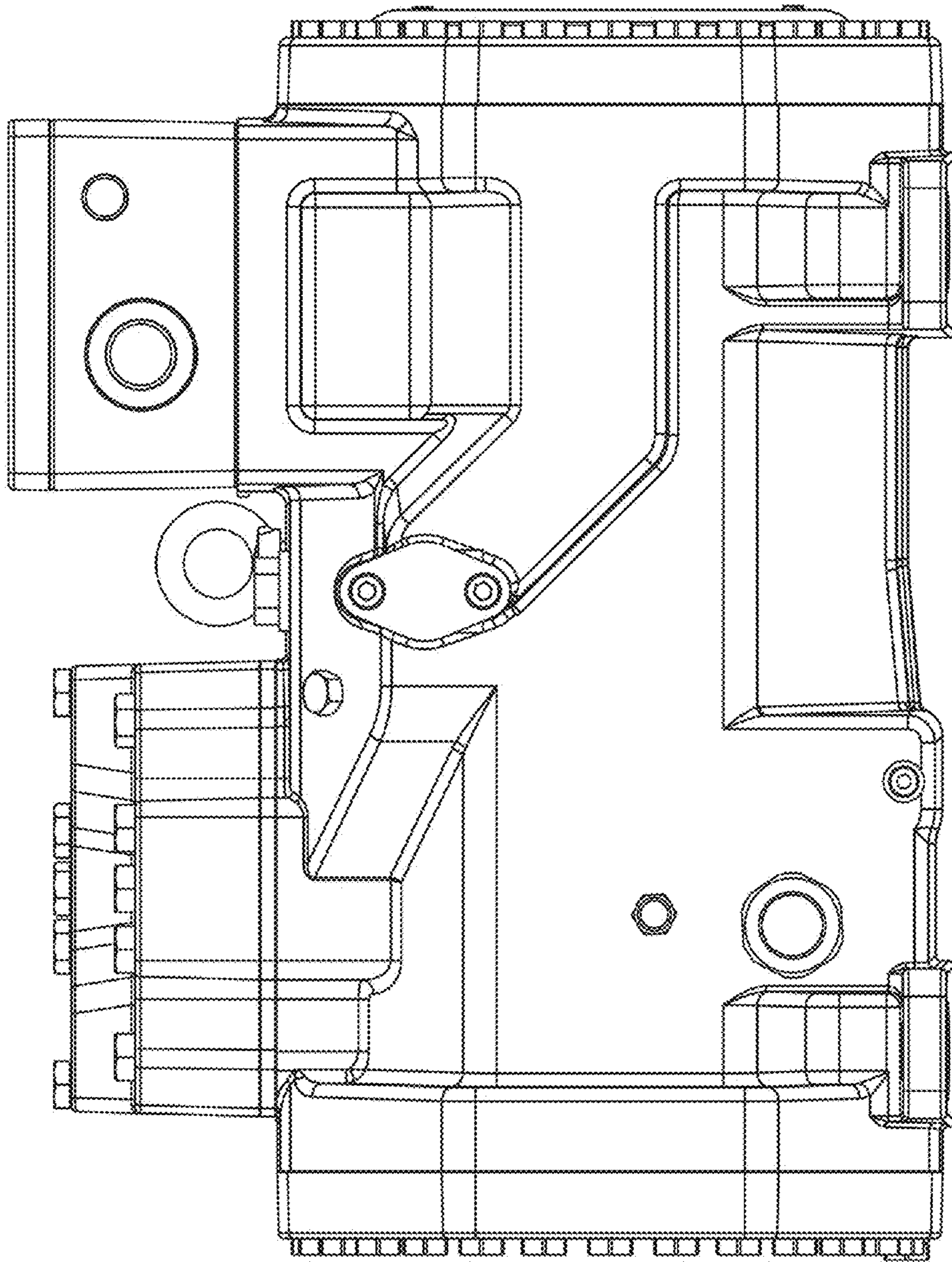


FIG. 16

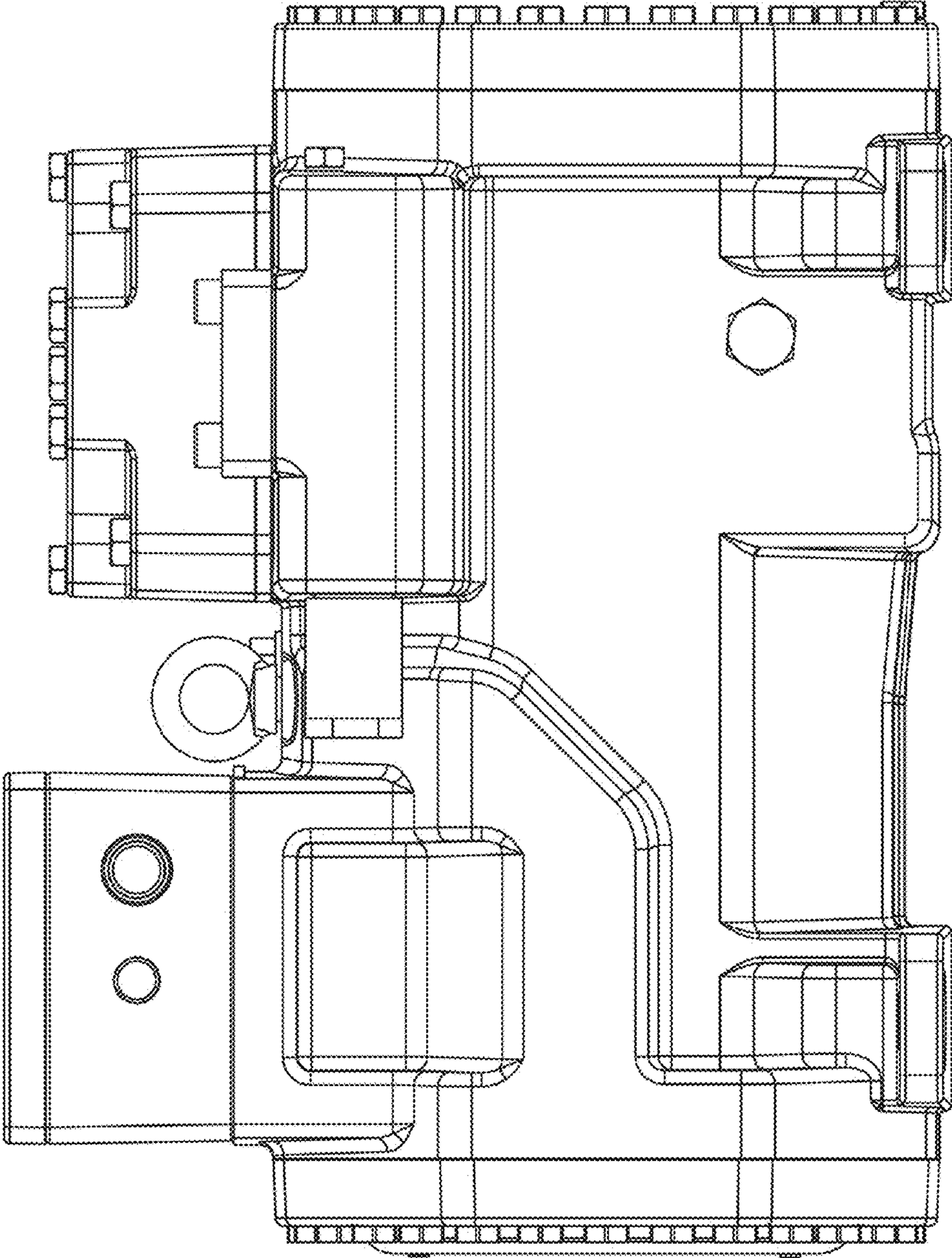


FIG. 17

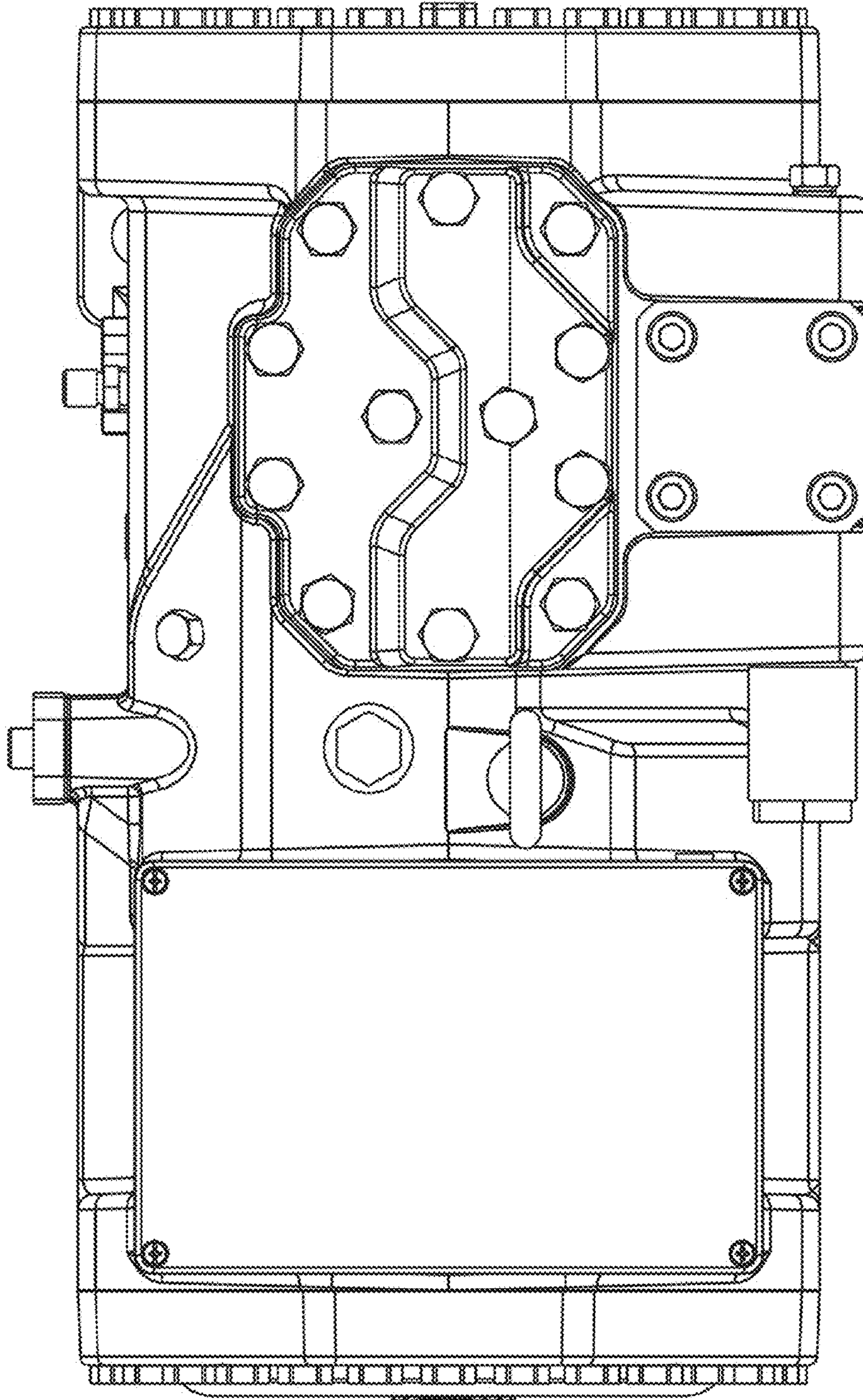


FIG. 18

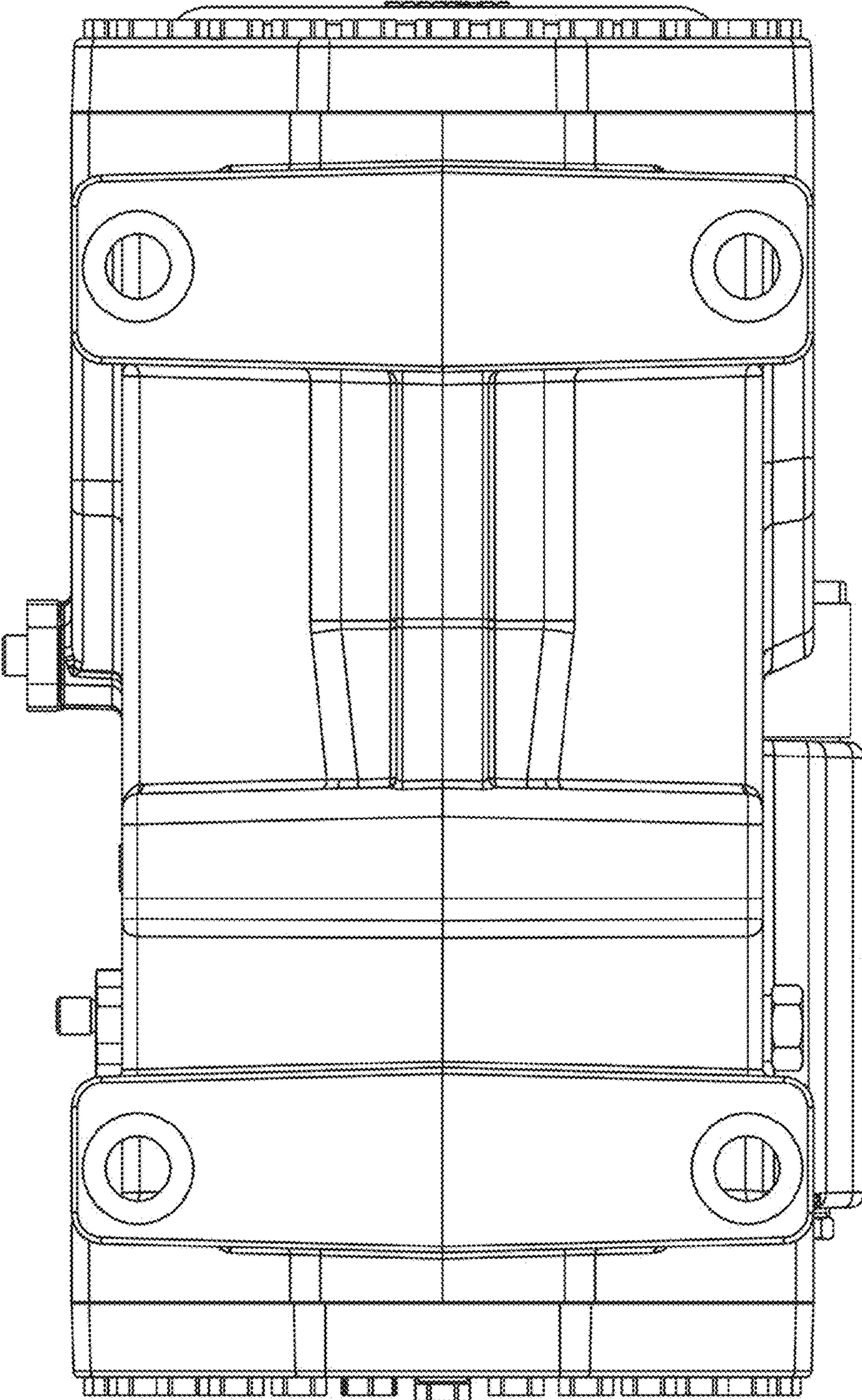


FIG. 19

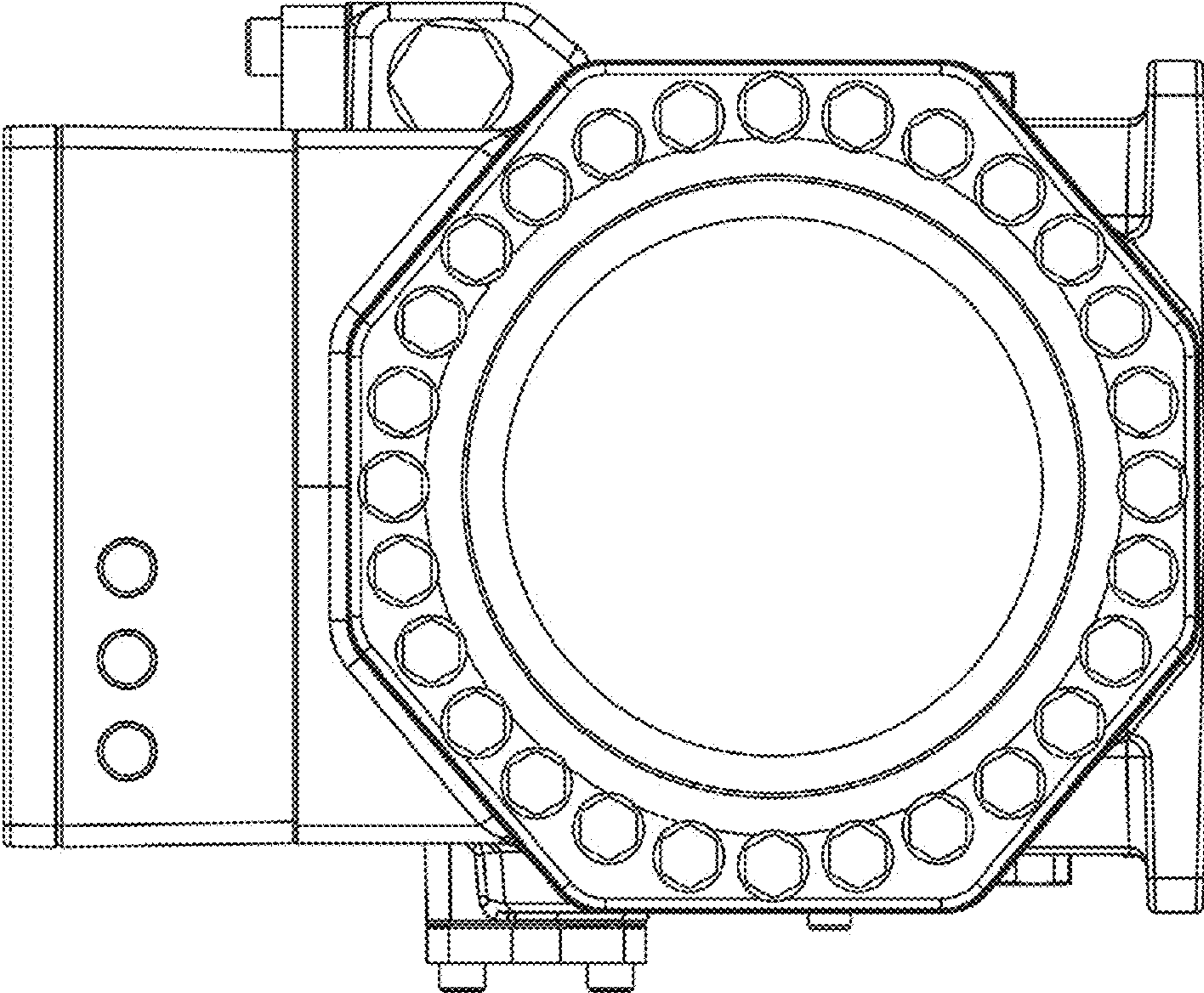


FIG. 20

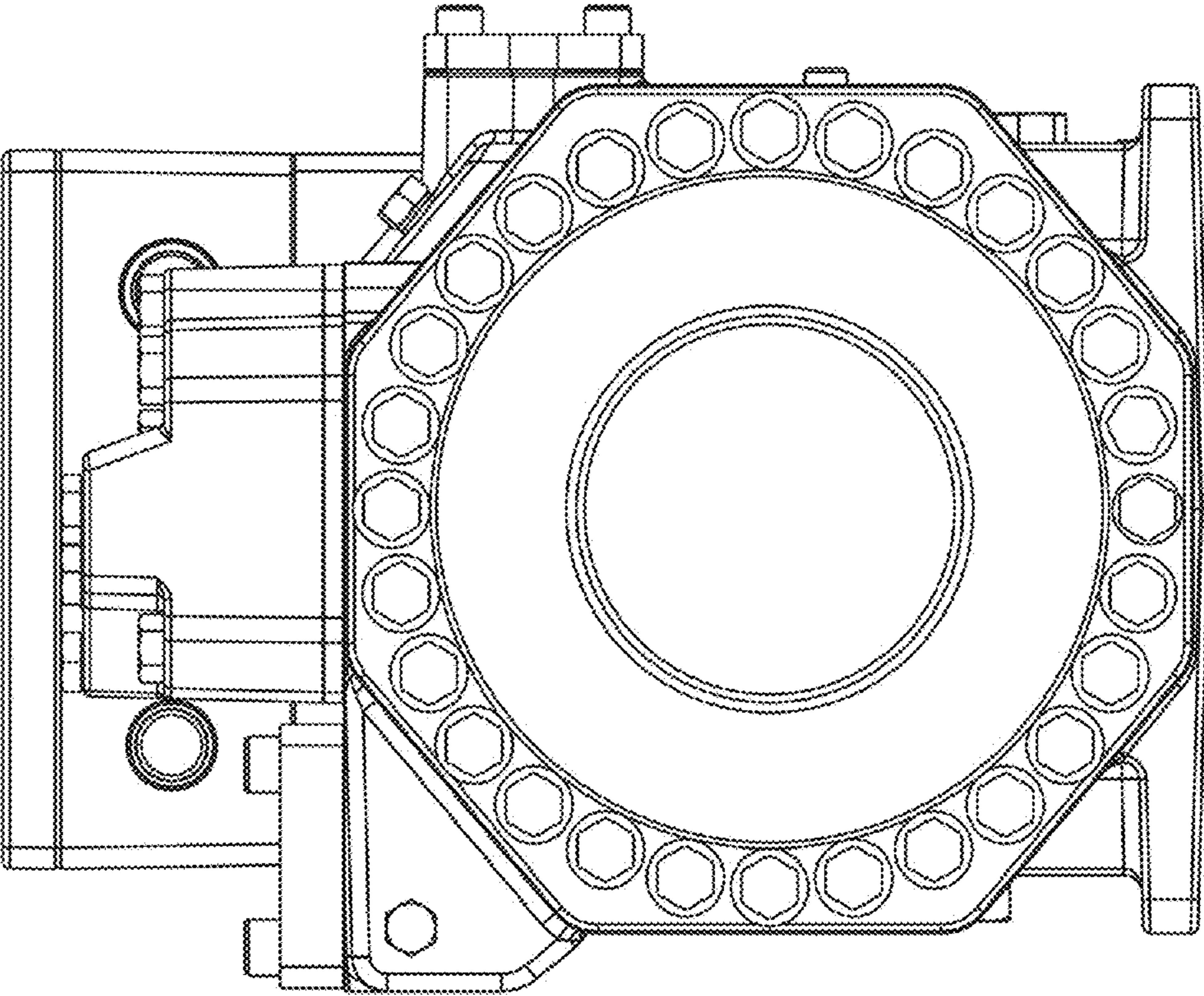


FIG. 21