



US00D777793S

(12) **United States Design Patent**
Singh et al.

(10) **Patent No.:** **US D777,793 S**
(45) **Date of Patent:** **** Jan. 31, 2017**

(54) **SUPPORT BRACKET**

(71) Applicant: **General Electric Company,**
Schenectady, NY (US)

(72) Inventors: **Trideep Singh,** Bangalore (IN); **Pranav Raina,** Bangalore (IN); **Vijayaselvan Jayakar,** Bangalore (IN); **Rohan Ravindra Pande,** Bangalore (IN); **Lavangouda Patil,** Bangalore (IN); **Nayan Kumar,** Bangalore (IN)

(73) Assignee: **General Electric Company,**
Schenectady, NY (US)

(**) Term: **15 Years**

(21) Appl. No.: **29/538,725**

(22) Filed: **Sep. 8, 2015**

Related U.S. Application Data

(63) Continuation-in-part of application No. 29/495,027,
filed on Jun. 26, 2014, now Pat. No. Des. 737,863.

(51) **LOC (10) Cl.** **15-02**

(52) **U.S. Cl.**
USPC **D15/7; D8/354**

(58) **Field of Classification Search**

USPC D15/7-9; D23/231, 232, 225; 417/60 M,
417/235 M, 265 M, 321 M, 355 M,
417/358 M, 363 M, 359 M, 410.1 M, 415,
417/416, 405, 900; 60/408, 412;
60/184/26-37; 415/140-147; 123/495,
123/509; D8/354, 349
CPC F16M 1/00; F16M 2200/00; B60K 11/00;
B60K 1/00; Y10T 29/49826
See application file for complete search history.

(56) **References Cited**

U.S. PATENT DOCUMENTS

D55,628 S * 7/1920 Mason D15/5
D238,963 S * 2/1976 Vinci D15/199

D250,805 S * 1/1979 Mygind D8/354
D261,654 S * 11/1981 Feuling D15/5
D263,730 S * 4/1982 Oribin D21/839
D273,297 S * 4/1984 Nolf D15/5
D283,896 S * 5/1986 Evans D15/5
D322,790 S * 12/1991 Bekius D15/1
D330,154 S * 10/1992 Wagner D13/122
D354,063 S * 1/1995 Ekholm D15/7
D357,923 S * 5/1995 Peterson D15/9.1
D362,384 S * 9/1995 Middlebrook D8/354
D486,501 S * 2/2004 Hawkins D15/7
D490,820 S * 6/2004 Schoemneyr D15/7
D537,844 S * 3/2007 Chu D15/9
D563,435 S * 3/2008 Charlet D15/7
D564,863 S * 3/2008 Grevis D8/354
D572,571 S * 7/2008 Terada D8/354
D589,061 S * 3/2009 Chu D15/7
D600,720 S * 9/2009 Iwanicki D15/5
D613,634 S * 4/2010 Chu D15/9

(Continued)

Primary Examiner — Mark Goodwin

(74) *Attorney, Agent, or Firm* — John A. Kramer; Global Patent Operation

(57)

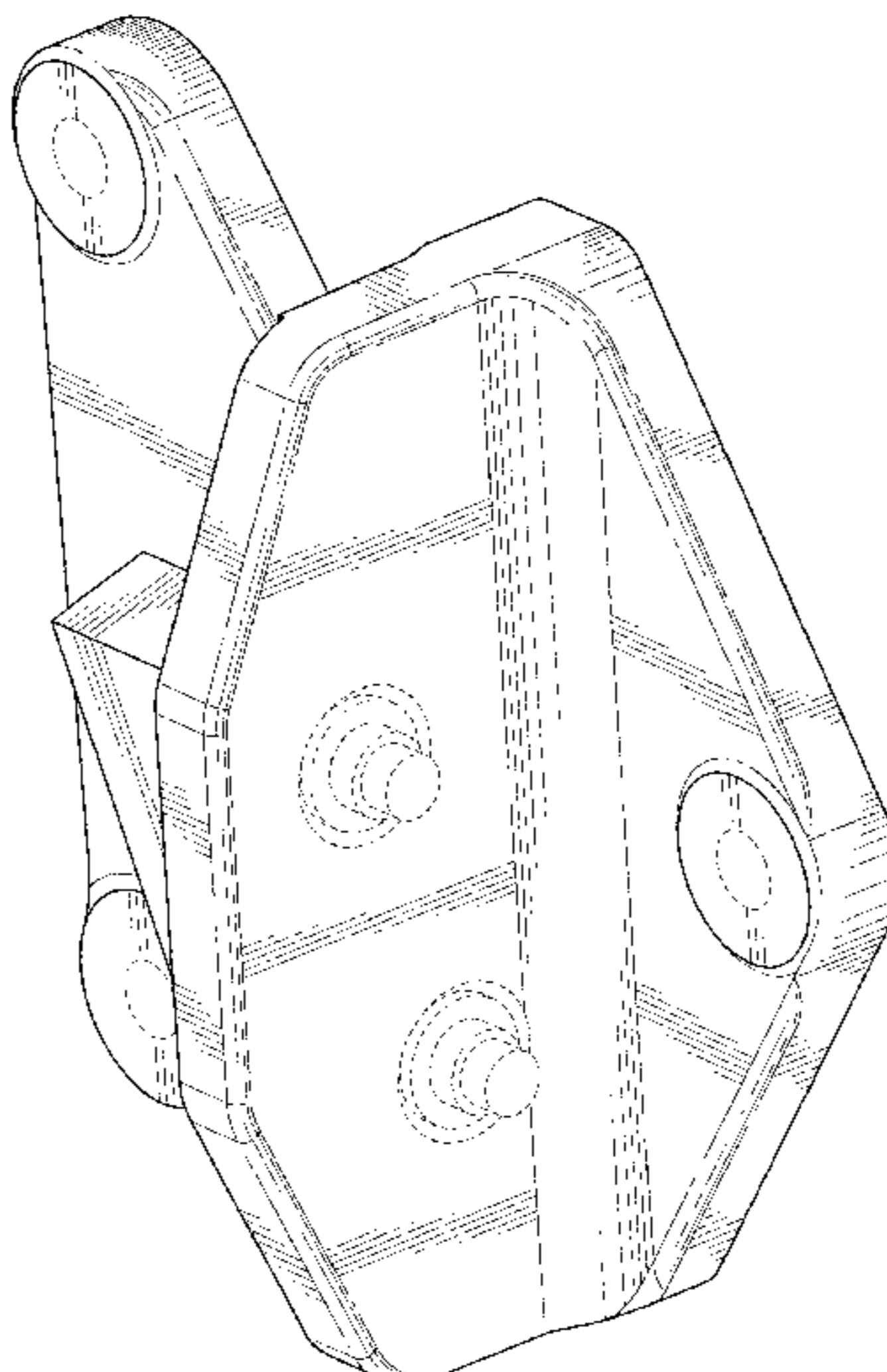
CLAIM

The ornamental design for a support bracket, as shown and described.

DESCRIPTION

FIG. 1 is a perspective view of a support bracket depicting a first embodiment of a new design;
FIG. 2 is a front elevational view thereof;
FIG. 3 is a rear elevational view thereof;
FIG. 4 is a first side elevational view thereof;
FIG. 5 is a second side elevational view thereof;
FIG. 6 is a first end plan view thereof; and,
FIG. 7 is a second end plan view thereof.
The broken line portion of the figures is included to show unclaimed subject matter only and forms no part of the claimed design.

1 Claim, 5 Drawing Sheets



(56)

References Cited

U.S. PATENT DOCUMENTS

D619,879	S	*	7/2010	McCarthy	D8/354
D624,805	S	*	10/2010	Clarke	D8/354
D625,168	S	*	10/2010	Chen	D8/354
D629,422	S	*	12/2010	Fujita	D15/7
D645,058	S	*	9/2011	Benoit	D15/9
D691,461	S	*	10/2013	Waugh	D8/354
D737,863	S	*	9/2015	Singh	D15/7

* cited by examiner

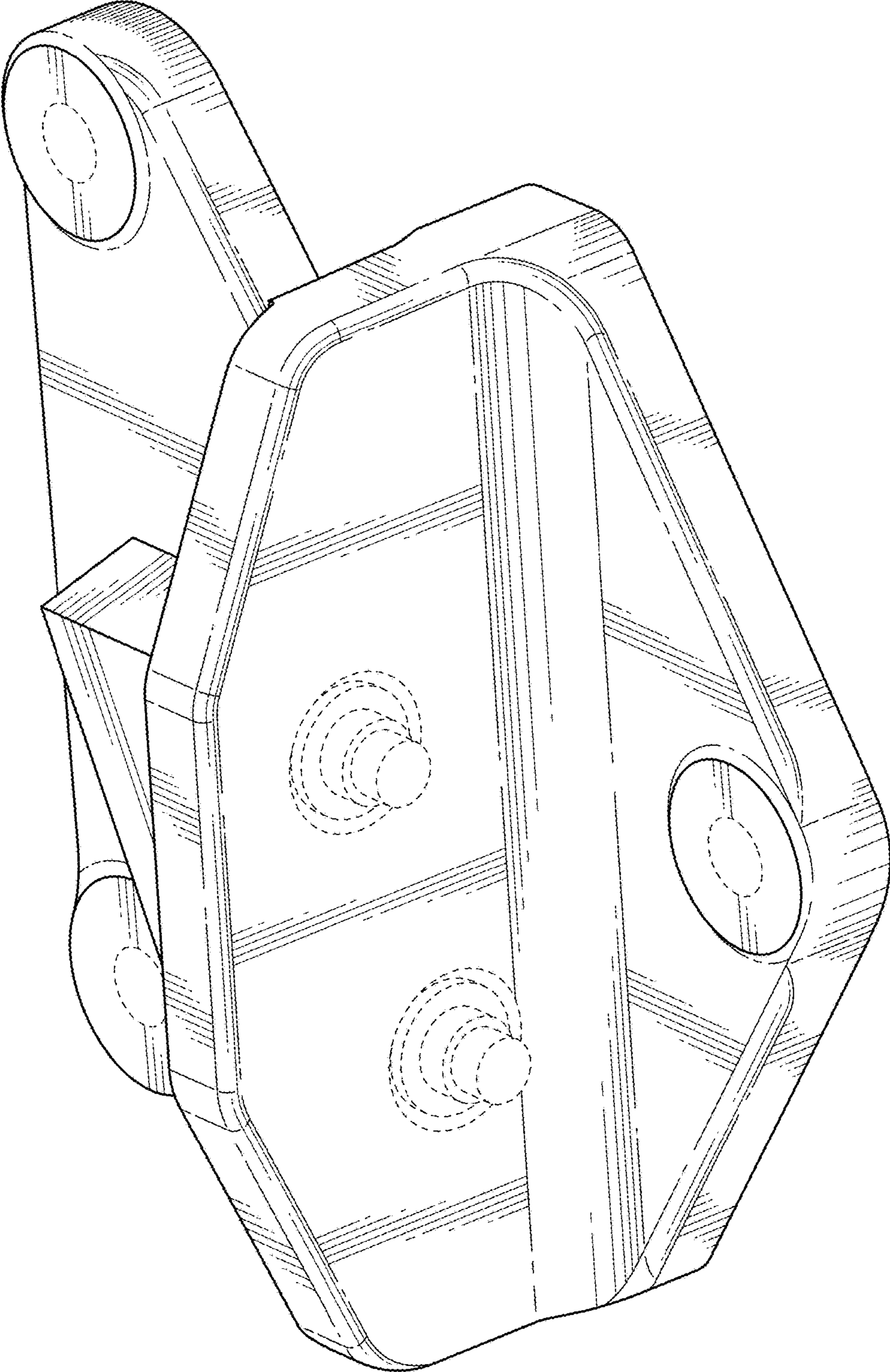


FIG. 1

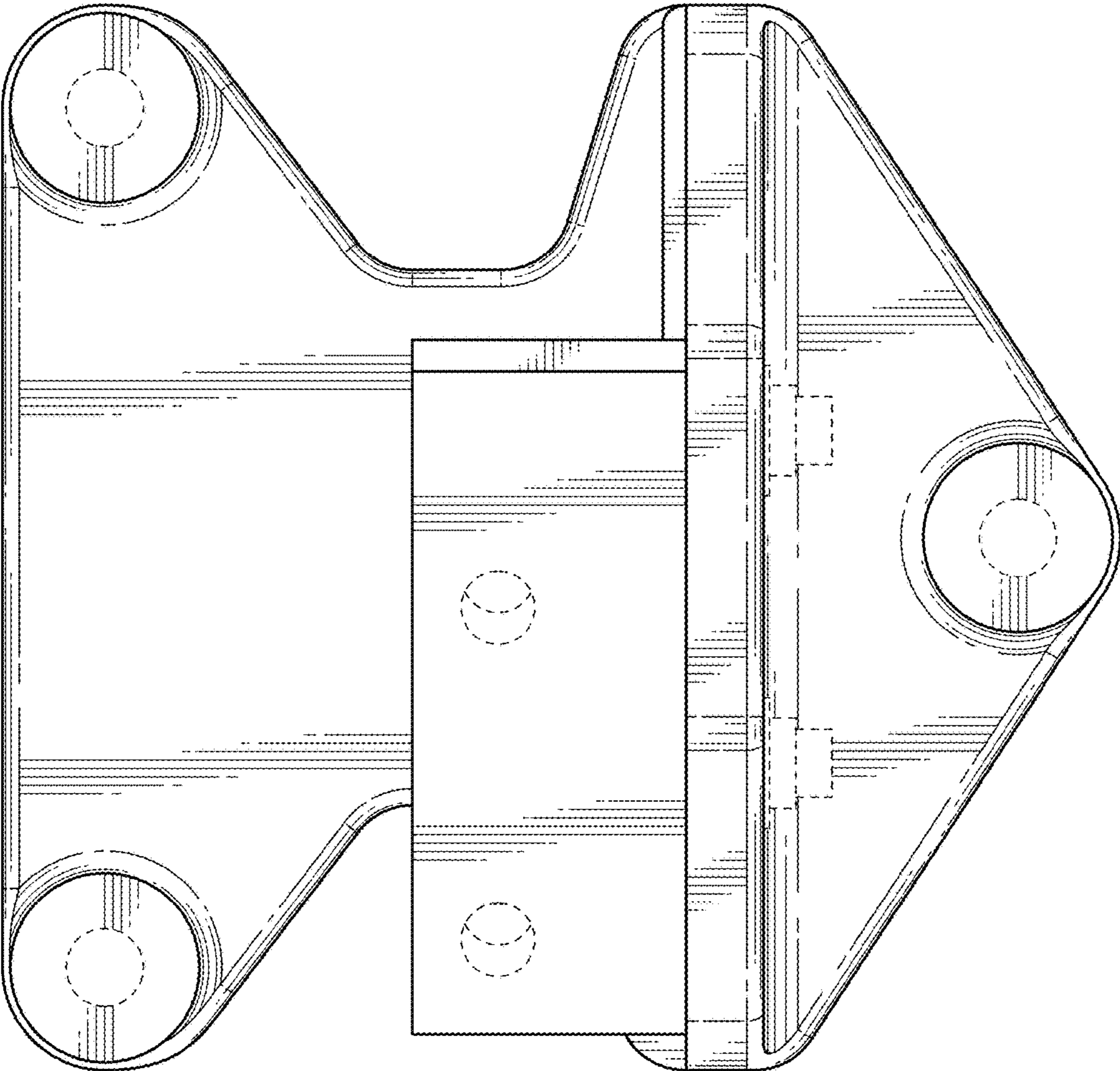


FIG. 2

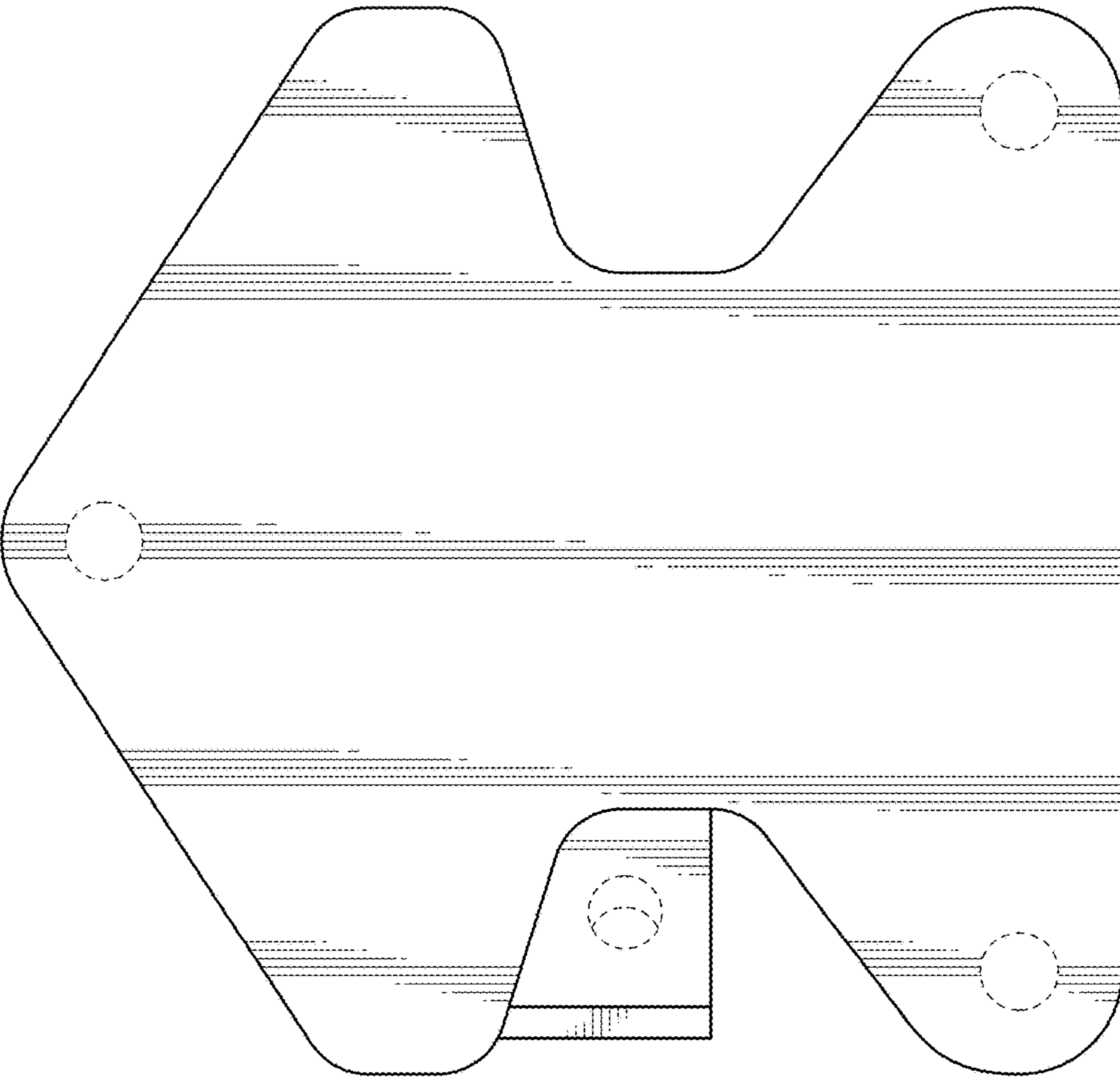


FIG. 3

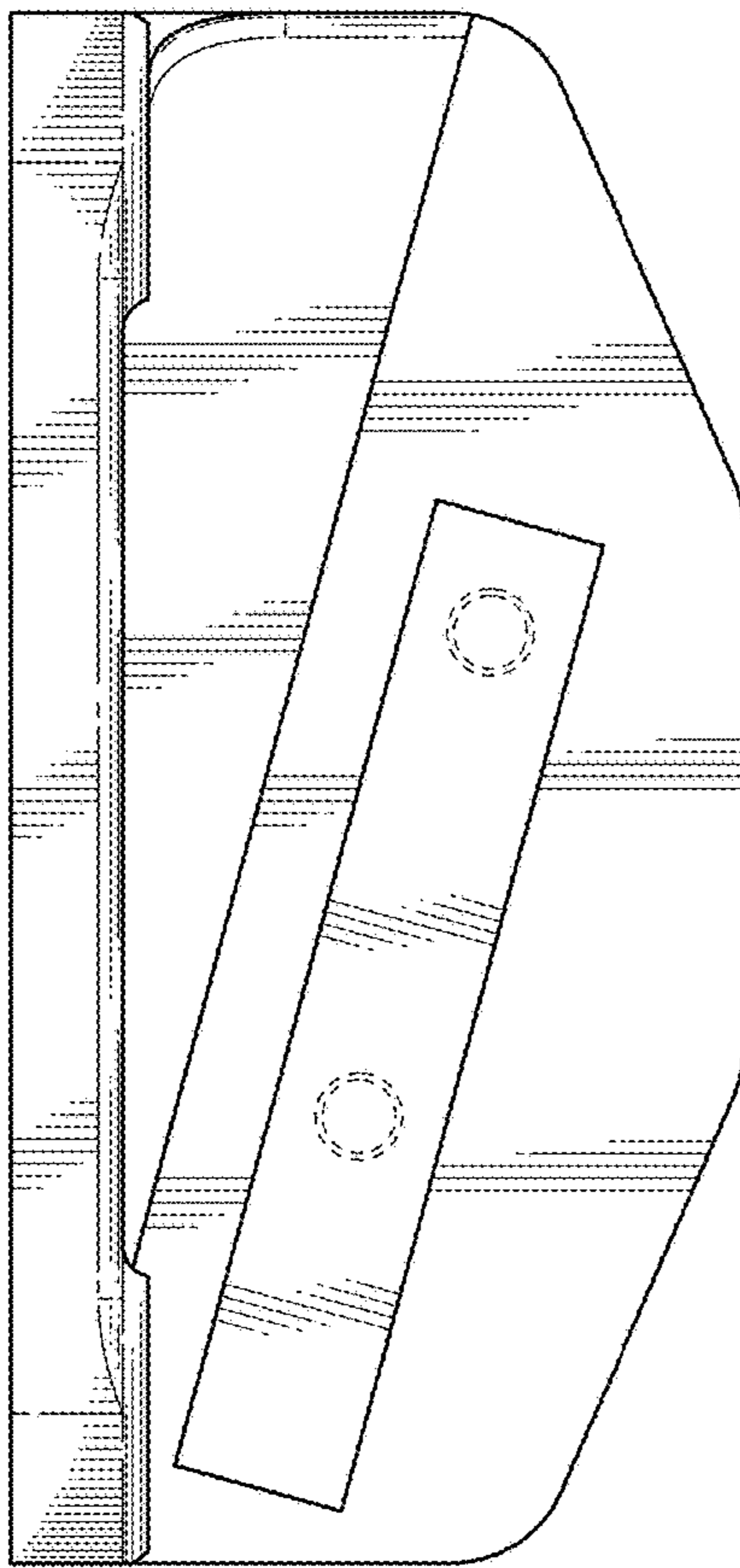


FIG. 4

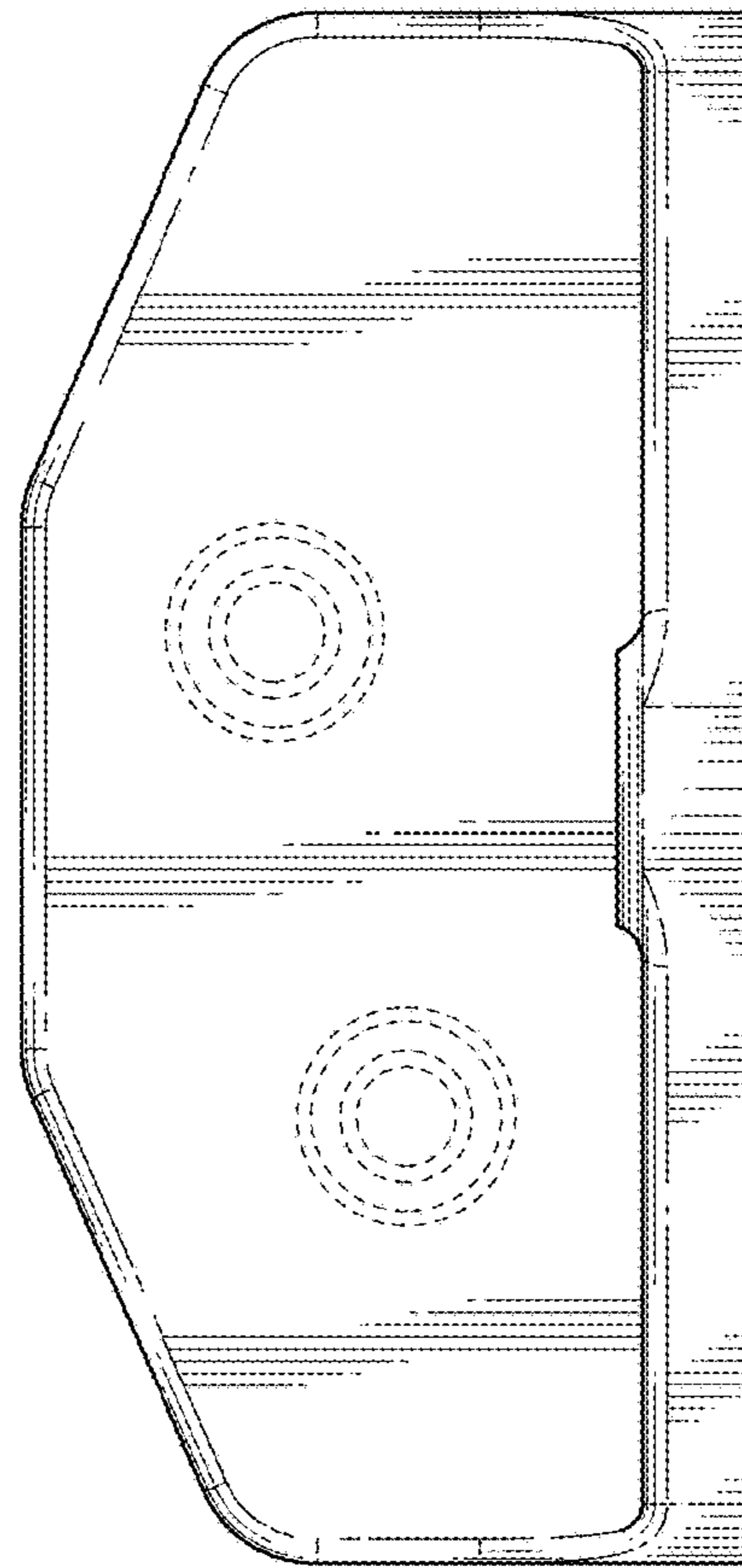


FIG. 5

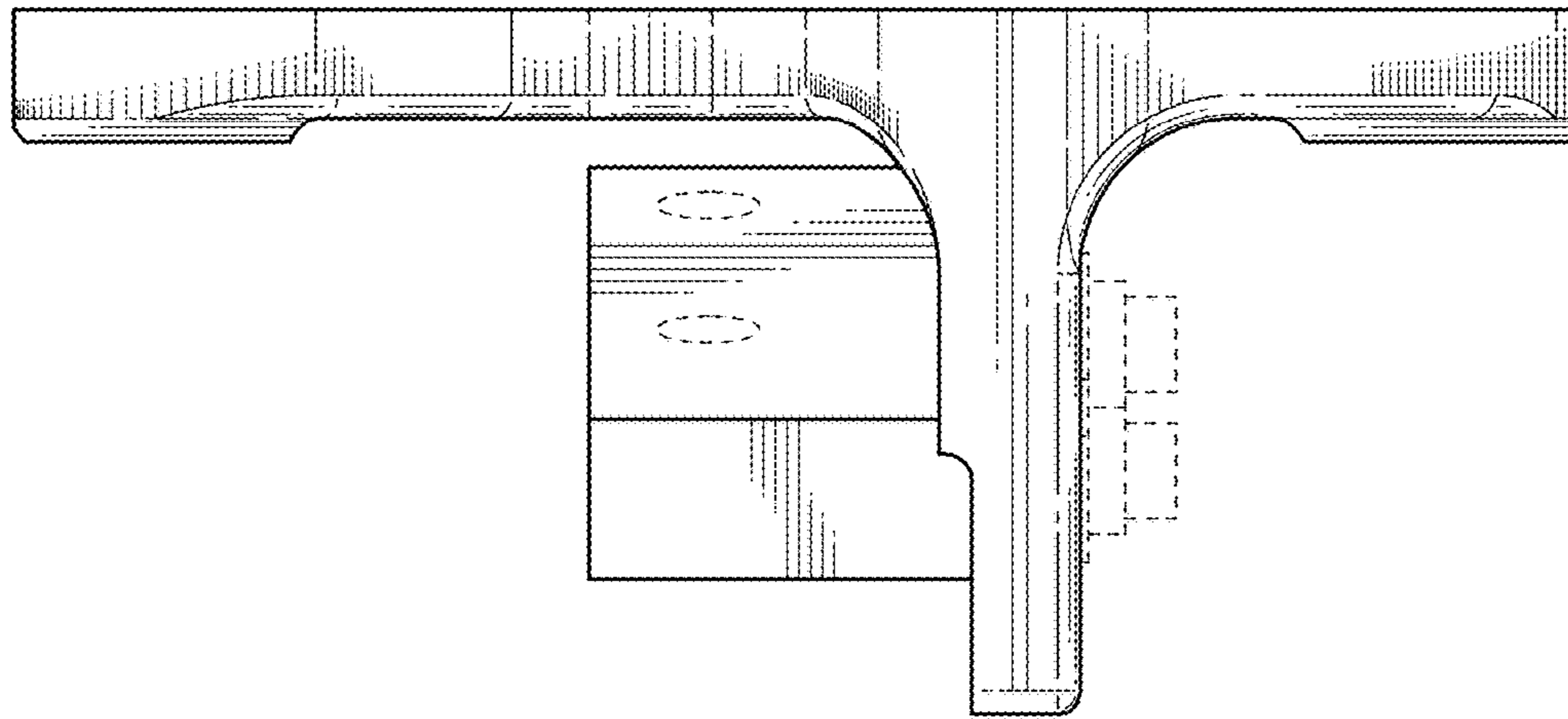


FIG. 6

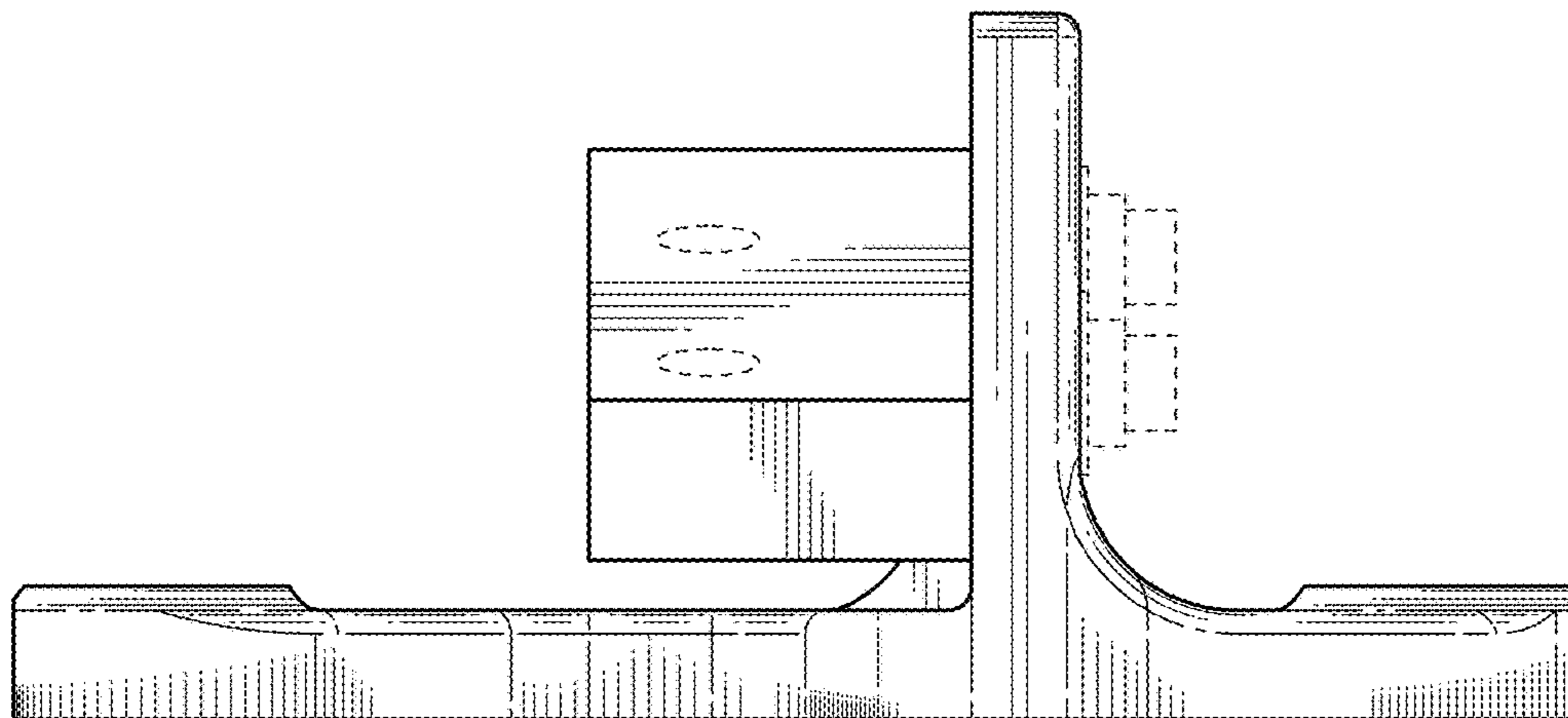


FIG. 7