



US00D777792S

(12) **United States Design Patent** (10) **Patent No.:** **US D777,792 S**  
**Goodier** (45) **Date of Patent:** **\*\* Jan. 31, 2017**

(54) **HYDRAULIC DISCHARGE SYSTEM**

(71) Applicant: **PARAGON TANK TRUCK EQUIPMENT, LLC**, Milwaukee, WI (US)

(72) Inventor: **Peter Charles Goodier**, White, GA (US)

(73) Assignee: **PARAGON TANK TRUCK EQUIPMENT, LLC**, Milwaukee, WI (US)

(\*\*) Term: **14 Years**

(21) Appl. No.: **29/525,028**

(22) Filed: **Apr. 25, 2015**

(51) **LOC (10) Cl.** ..... **15-02**

(52) **U.S. Cl.**  
USPC ..... **D15/7**

(58) **Field of Classification Search**  
USPC ..... D15/7-9; D23/231, 232, 225; 417/60, 417/235, 265, 321, 355, 358, 363, 359, 417/410.1, 415-416, 405, 900, 269, 539; 60/408, 412; 184/26-37; 415/140-147; 123/495, 509; 137/565.34, 1, 334  
CPC ..... F02M 37/04; F02M 37/14; F04B 53/92; F04B 1/005; B60P 3/22; B60P 3/2245  
See application file for complete search history.

(56) **References Cited**

**U.S. PATENT DOCUMENTS**

- 2,193,893 A \* 3/1940 Van Vleck ..... B60P 3/224 180/14.1
- D197,154 S \* 12/1963 Sakaley ..... D15/7
- 3,147,884 A \* 9/1964 Sacco ..... B60P 3/224 222/1

- D265,005 S \* 6/1982 Reinhorn ..... D15/7
- 4,568,011 A \* 2/1986 DeArmitt ..... B23K 1/018 228/20.5
- D303,533 S \* 9/1989 Eberhardt ..... D15/7
- 5,417,239 A \* 5/1995 Ford ..... B60K 15/00 137/571
- D429,736 S \* 8/2000 Flynn ..... D15/7
- 6,382,225 B1 \* 5/2002 Tipton ..... B60K 15/00 123/514
- D498,483 S \* 11/2004 Chen ..... D15/9
- D612,403 S \* 3/2010 Picaza Ibarondo ..... D15/7
- D662,113 S \* 6/2012 Johnson ..... D15/7
- D663,748 S \* 7/2012 Jones ..... D15/9
- D705,818 S \* 5/2014 Chen ..... D15/7
- D745,569 S \* 12/2015 Robinson ..... D15/7
- 2014/0150871 A1 6/2014 Goodier

\* cited by examiner

*Primary Examiner* — Ralf Seifert

(74) *Attorney, Agent, or Firm* — Christopher C. Dremann, P.C.; Christopher C. Dremann

(57) **CLAIM**

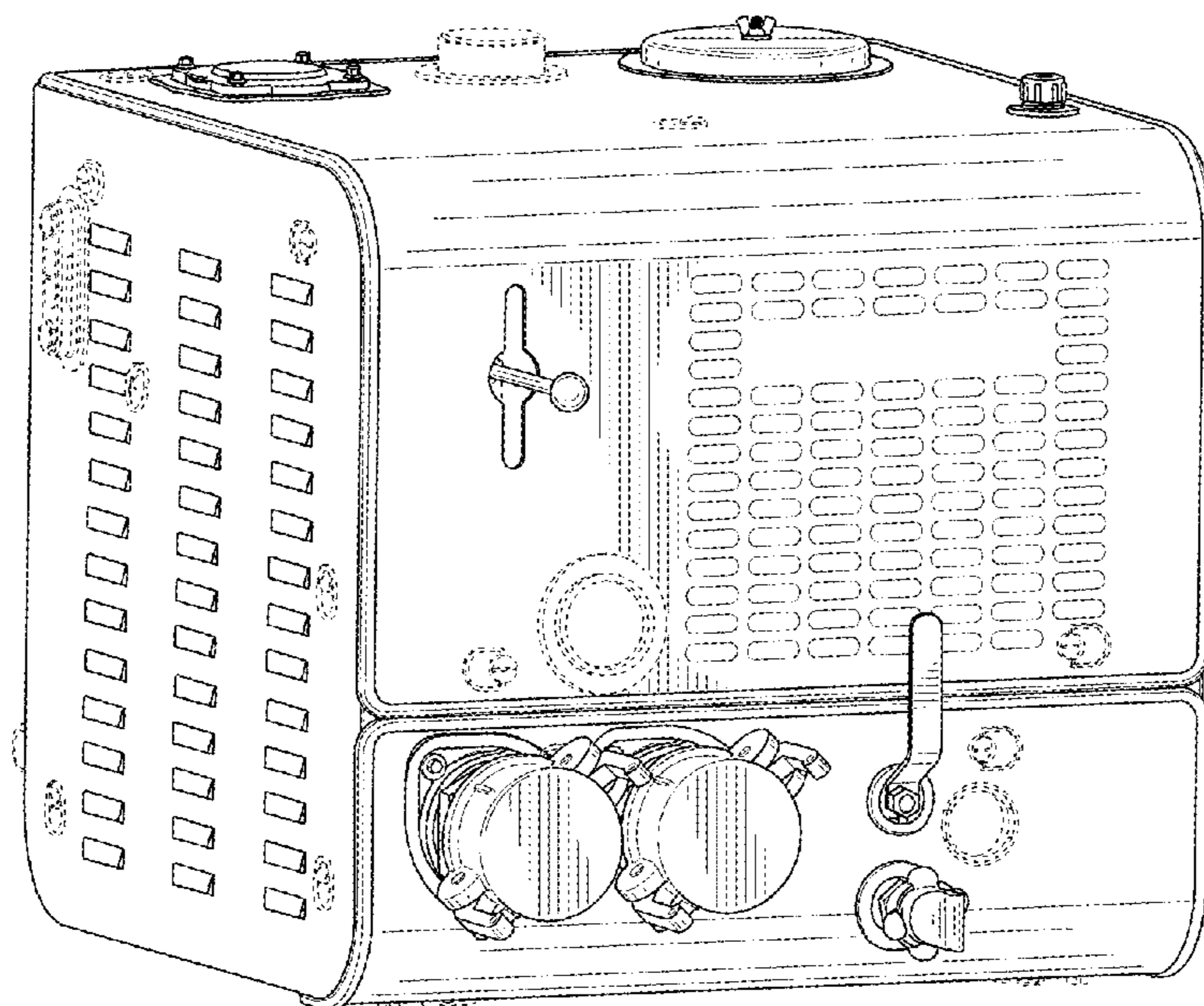
The ornamental design for a hydraulic discharge system, as shown and described.

**DESCRIPTION**

FIG. 1 is a front left perspective view of a hydraulic discharge system showing my design;  
 FIG. 2 is a front view thereof;  
 FIG. 3 is a rear view thereof;  
 FIG. 4 is a top view thereof;  
 FIG. 5 is a bottom view thereof;  
 FIG. 6 is a right side view thereof; and,  
 FIG. 7 is a left side view thereof.

Internal components and certain external features of the hydraulic discharge system are shown in broken lines for illustrative purposes and form no part of the claimed design.

**1 Claim, 7 Drawing Sheets**



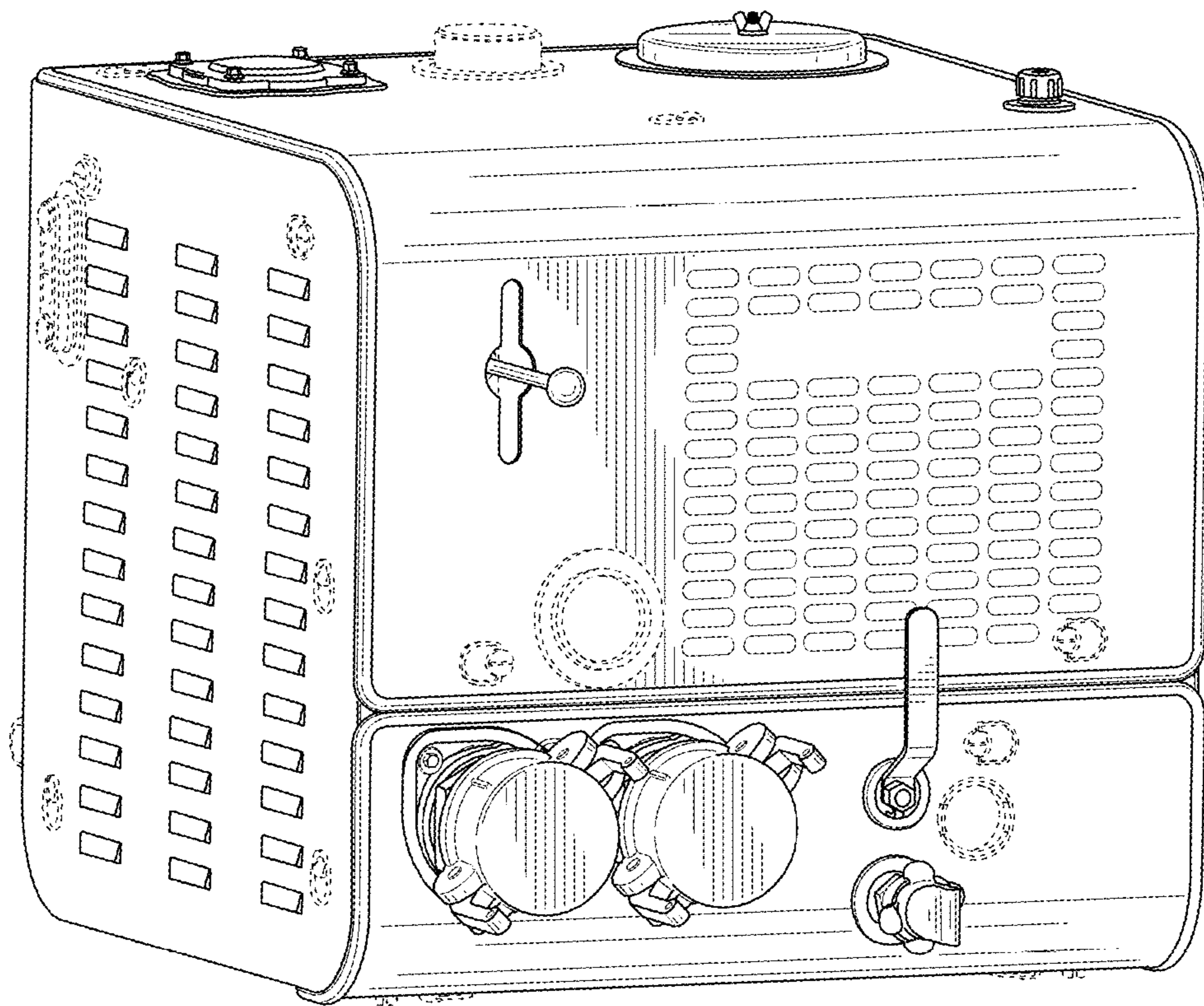


FIG. 1

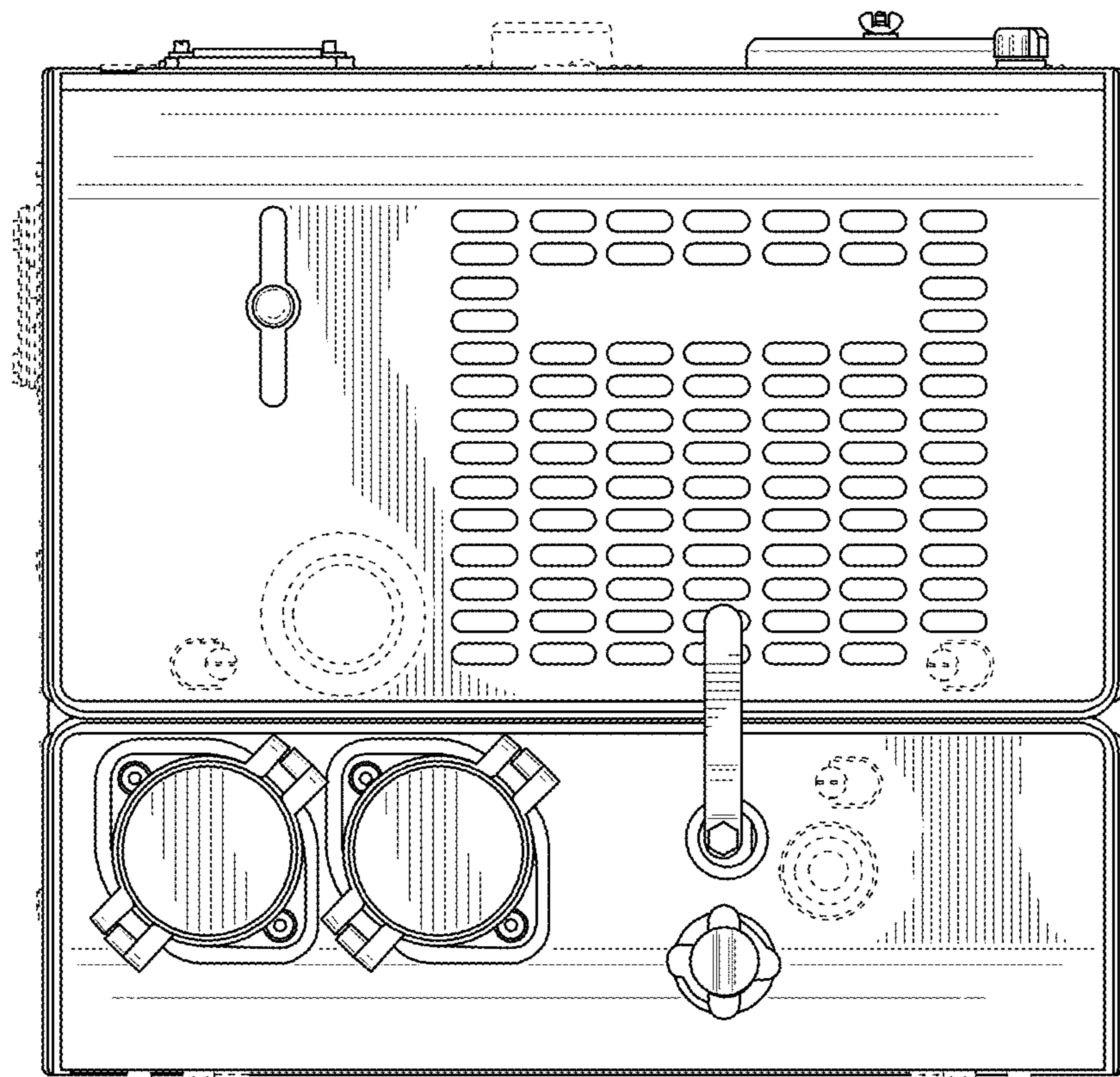


FIG. 2



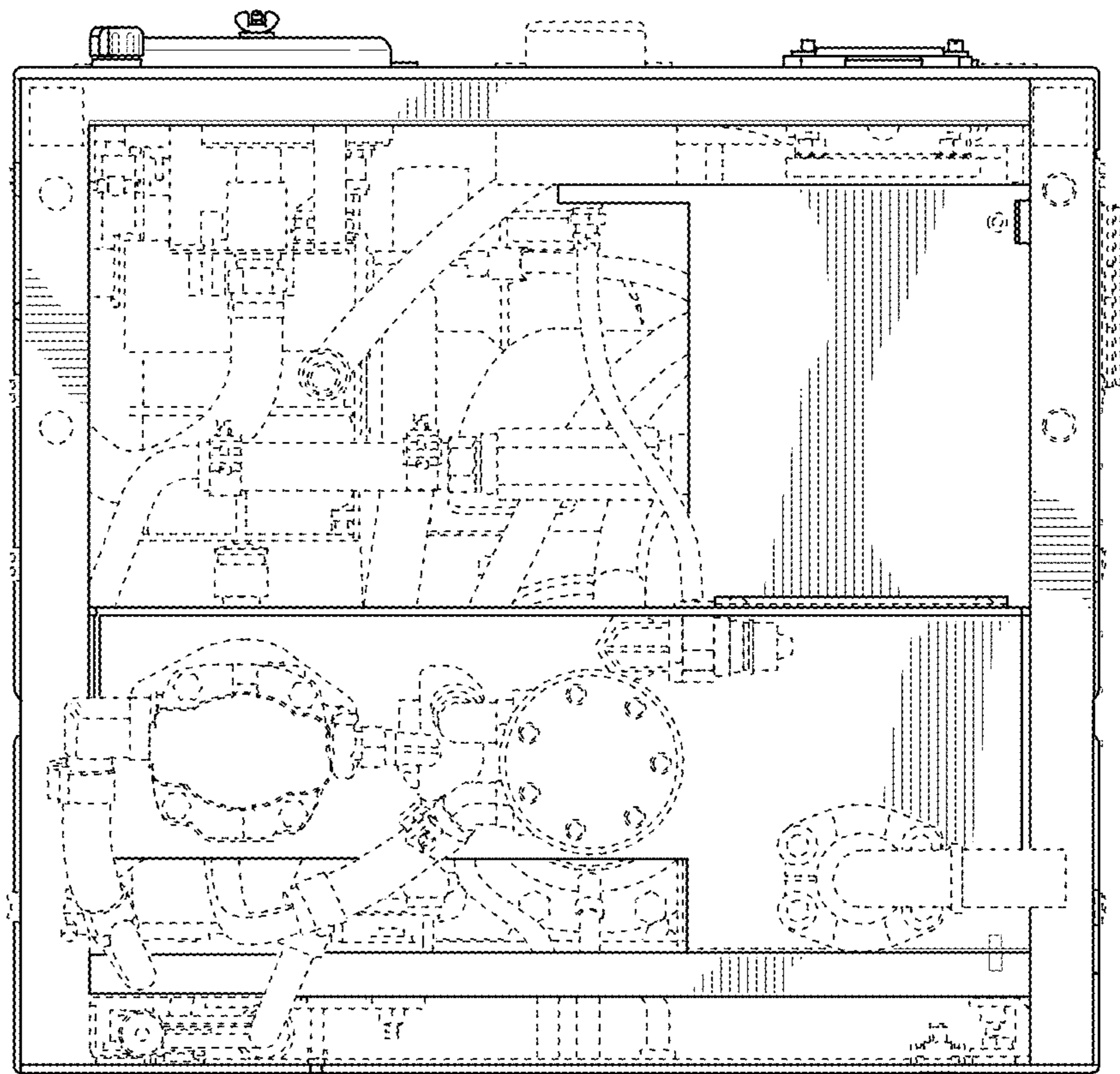


FIG. 3

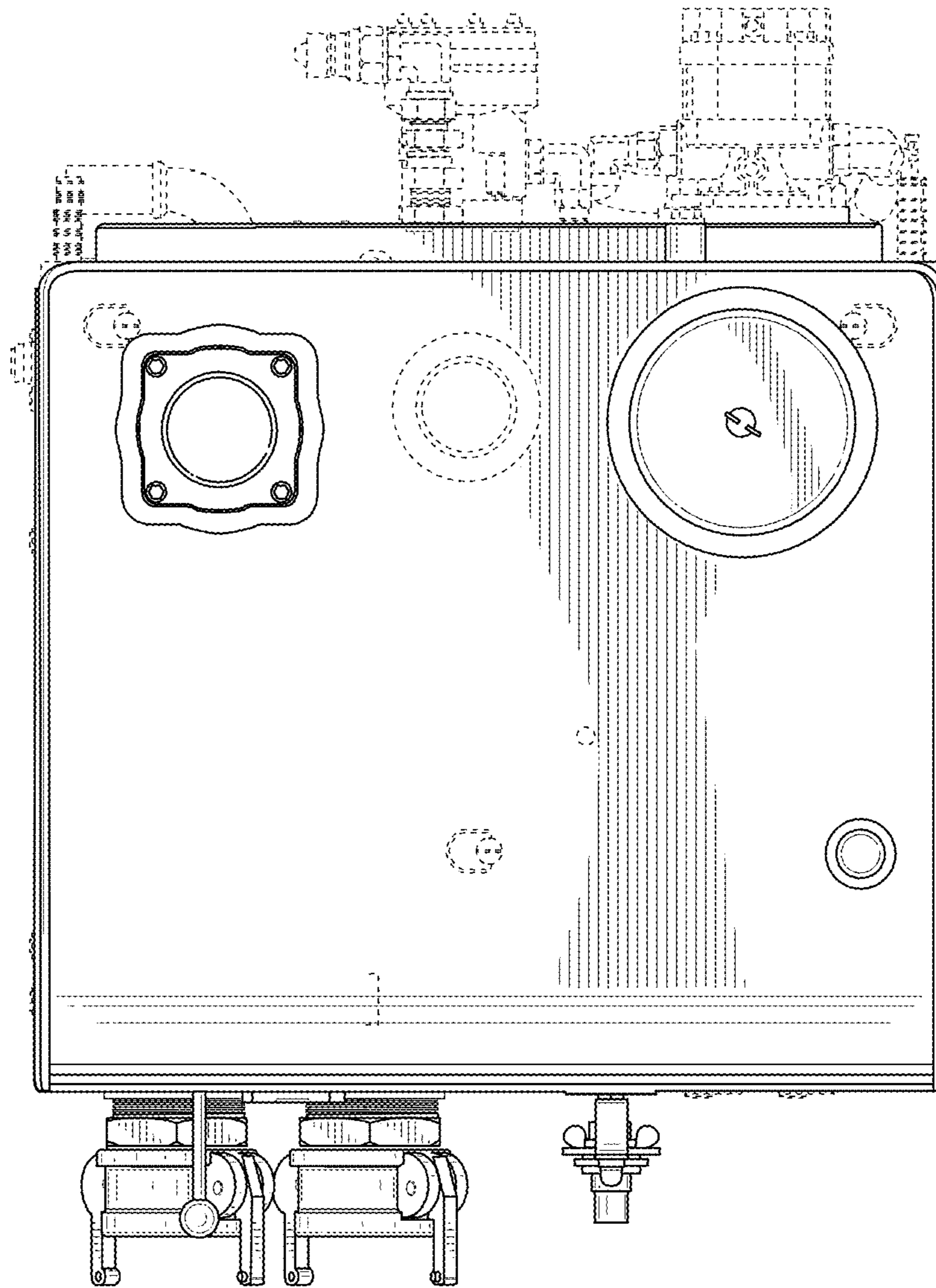


FIG. 4

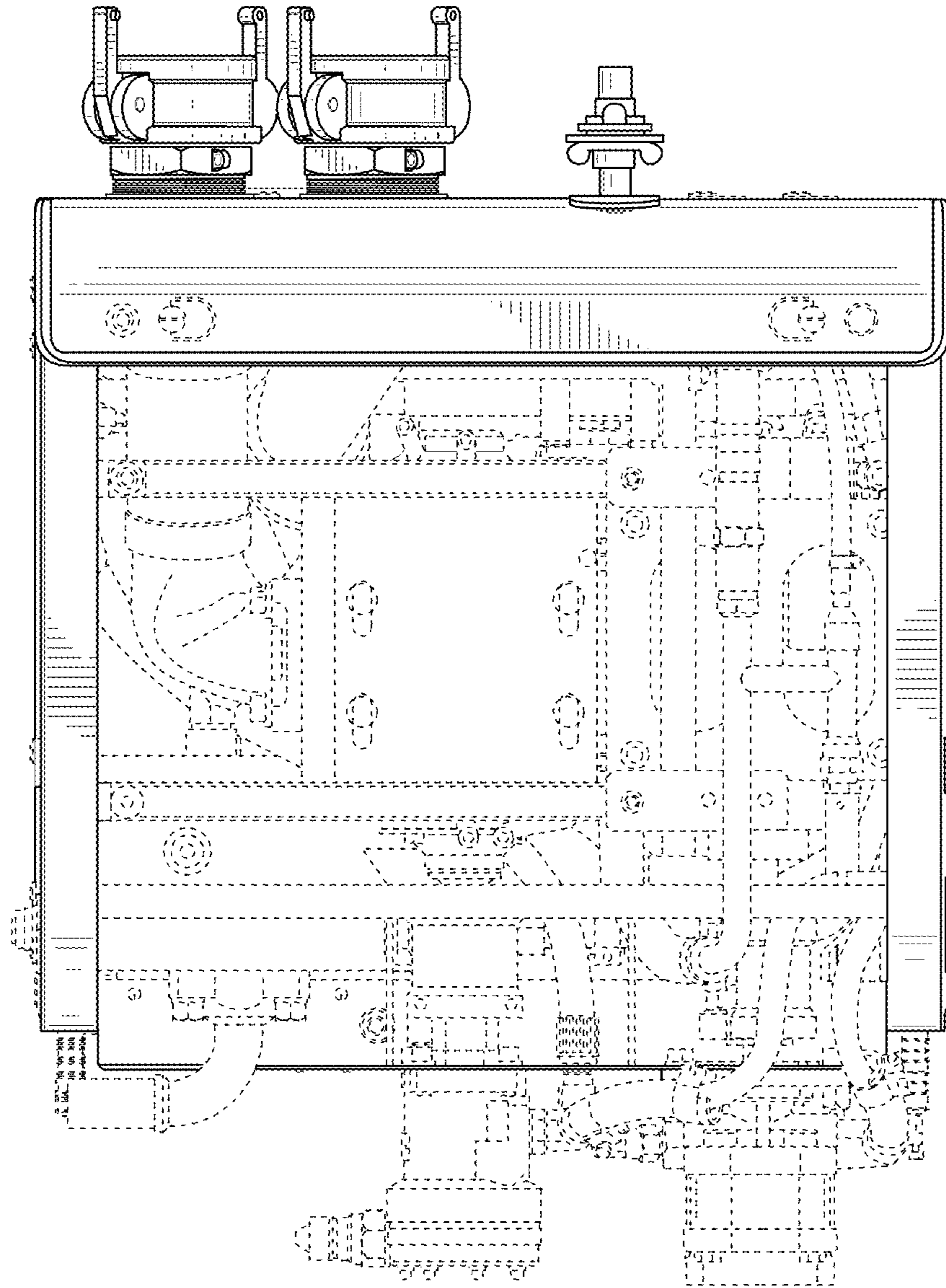


FIG. 5

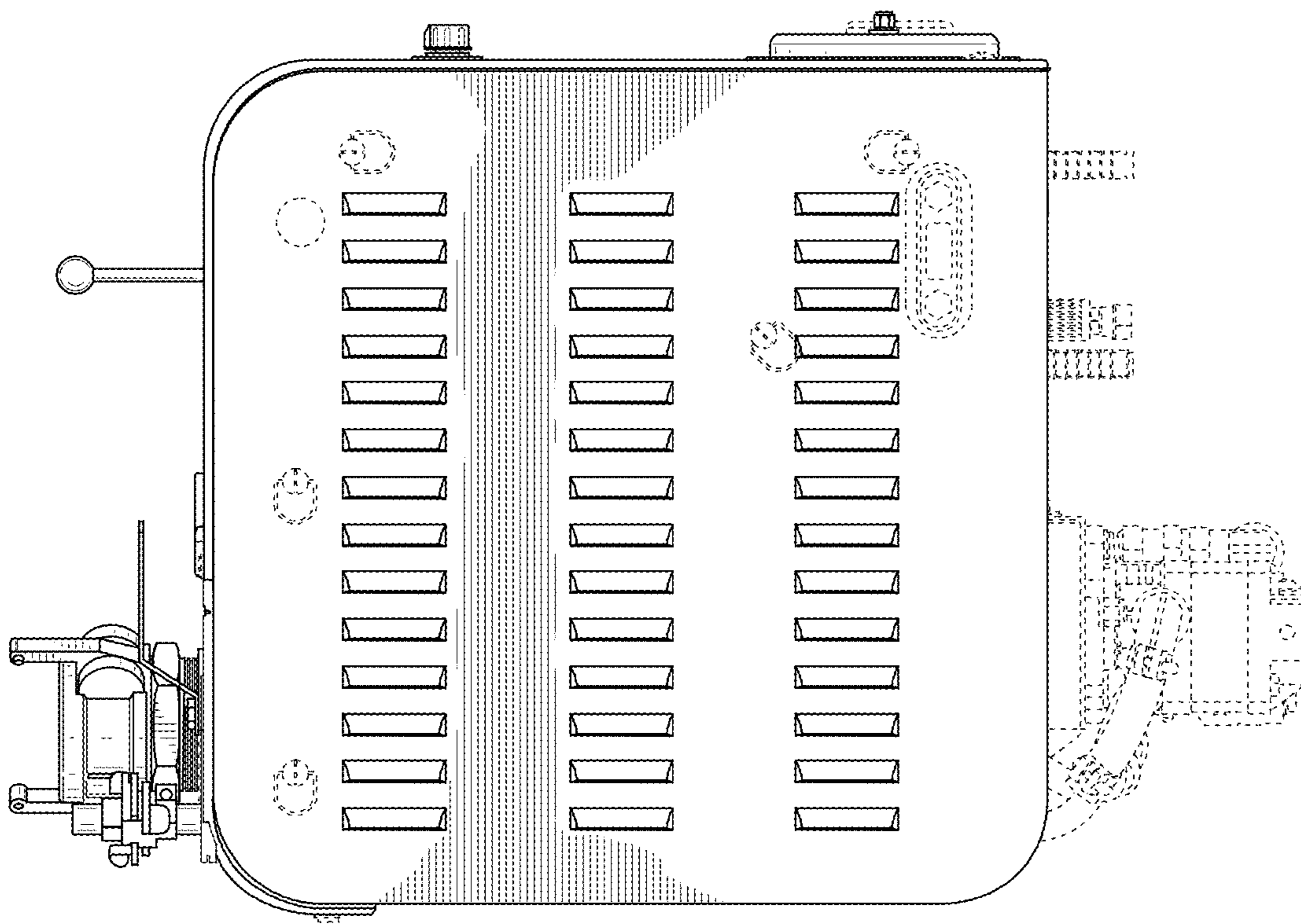


FIG. 6

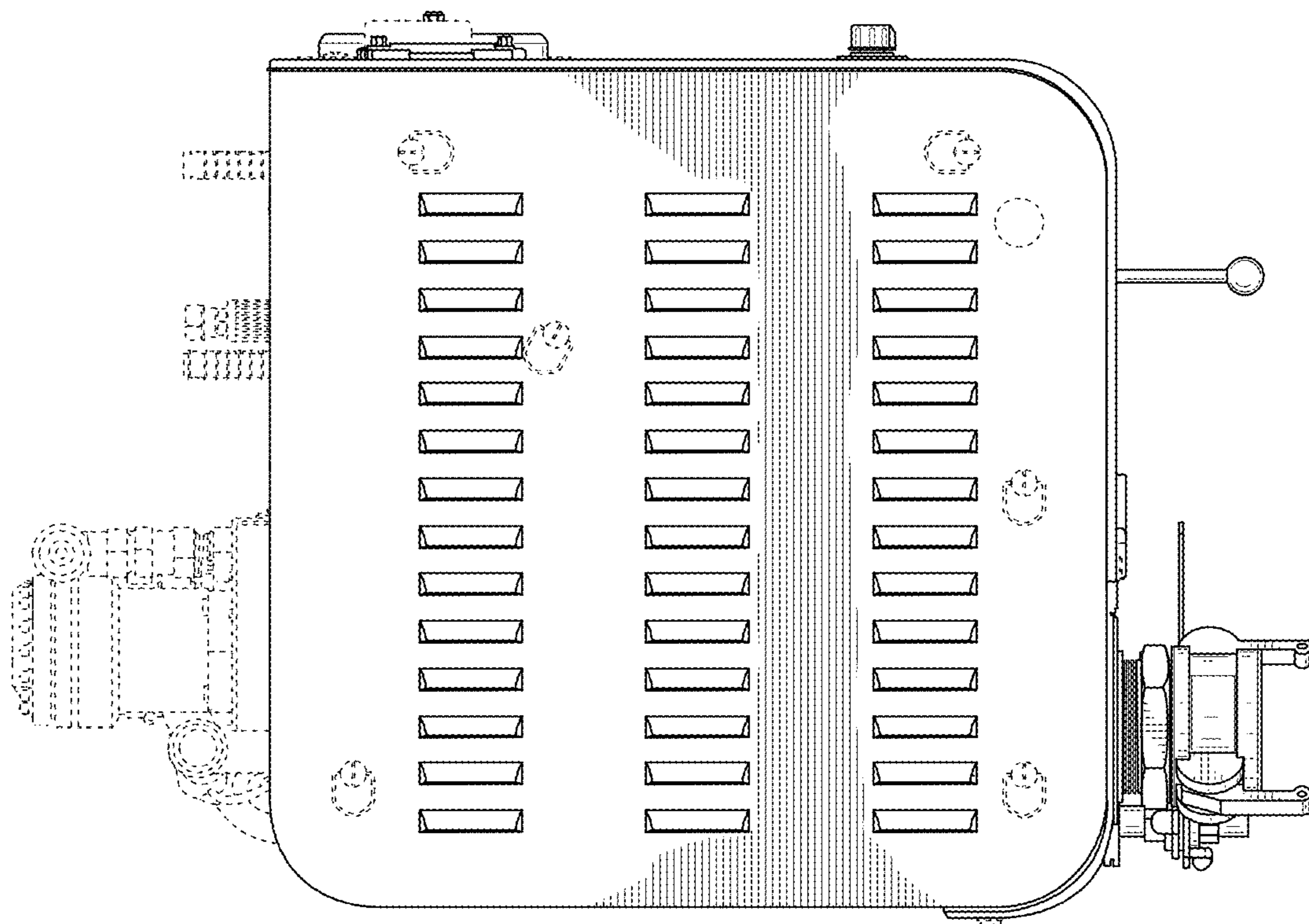


FIG. 7