



US00D777787S

(12) **United States Design Patent**  
**Kemp**

(10) **Patent No.:** **US D777,787 S**  
(45) **Date of Patent:** **\*\* Jan. 31, 2017**

(54) **PORTION OF A DISPLAY HAVING A GRAPHICAL USER INTERFACE WITH TRANSITIONAL ICON**

(71) Applicant: **NaturalMotion Ltd.**, Oxford (GB)  
(72) Inventor: **Richard Stuart Kemp**, London (GB)  
(73) Assignee: **NaturalMotion Ltd.**, Oxford (GB)  
(\*\*) Term: **14 Years**

(21) Appl. No.: **29/523,647**

(22) Filed: **Apr. 13, 2015**

(51) **LOC (10) Cl.** ..... **14-04**

(52) **U.S. Cl.**  
USPC ..... **D14/494**

(58) **Field of Classification Search**  
USPC ..... D14/485–495  
CPC G06F 3/0482; G06F 3/04842; G06F 3/04817;  
G06F 3/048; G06F 17/211; G06F 17/212  
See application file for complete search history.

(56) **References Cited**

**U.S. PATENT DOCUMENTS**

D602,035 S	10/2009	Murchie et al.	
D616,460 S	5/2010	Pearson et al.	
D656,505 S	3/2012	Jones et al.	
D692,456 S	10/2013	Brinda et al.	
D726,204 S *	4/2015	Prajapati	D14/486
D757,100 S *	5/2016	Butcher	D14/489
D759,115 S	6/2016	Kemp	
D759,722 S	6/2016	Kemp	
D761,841 S *	7/2016	Jong	D14/488

(Continued)

**OTHER PUBLICATIONS**

“Platform rocks 002” Jun. 6, 2014, Creative Market, site visited Oct. 31, 2016 <<https://creativemarket.com/Graphics4Games/47297-Platform-rocks-002>>.\*

(Continued)

*Primary Examiner* — Kevin Rudzinski

*Assistant Examiner* — John Reickel

(74) *Attorney, Agent, or Firm* — Schwegman Lundberg & Woessner, P.A.

(57) **CLAIM**

The ornamental design for a portion of a display having a graphical user interface with transitional icon, as shown and described.

**DESCRIPTION**

FIG. 1 is a face view of a portion of a display having a graphical user interface with transitional icon, showing my new design and illustrating a first image thereof.

FIG. 2 is a face view of a portion of the display having a graphical user interface with transitional icon, illustrating a second image thereof.

FIG. 3 is a face view of a portion of the display having a graphical user interface with transitional icon, illustrating a third image thereof.

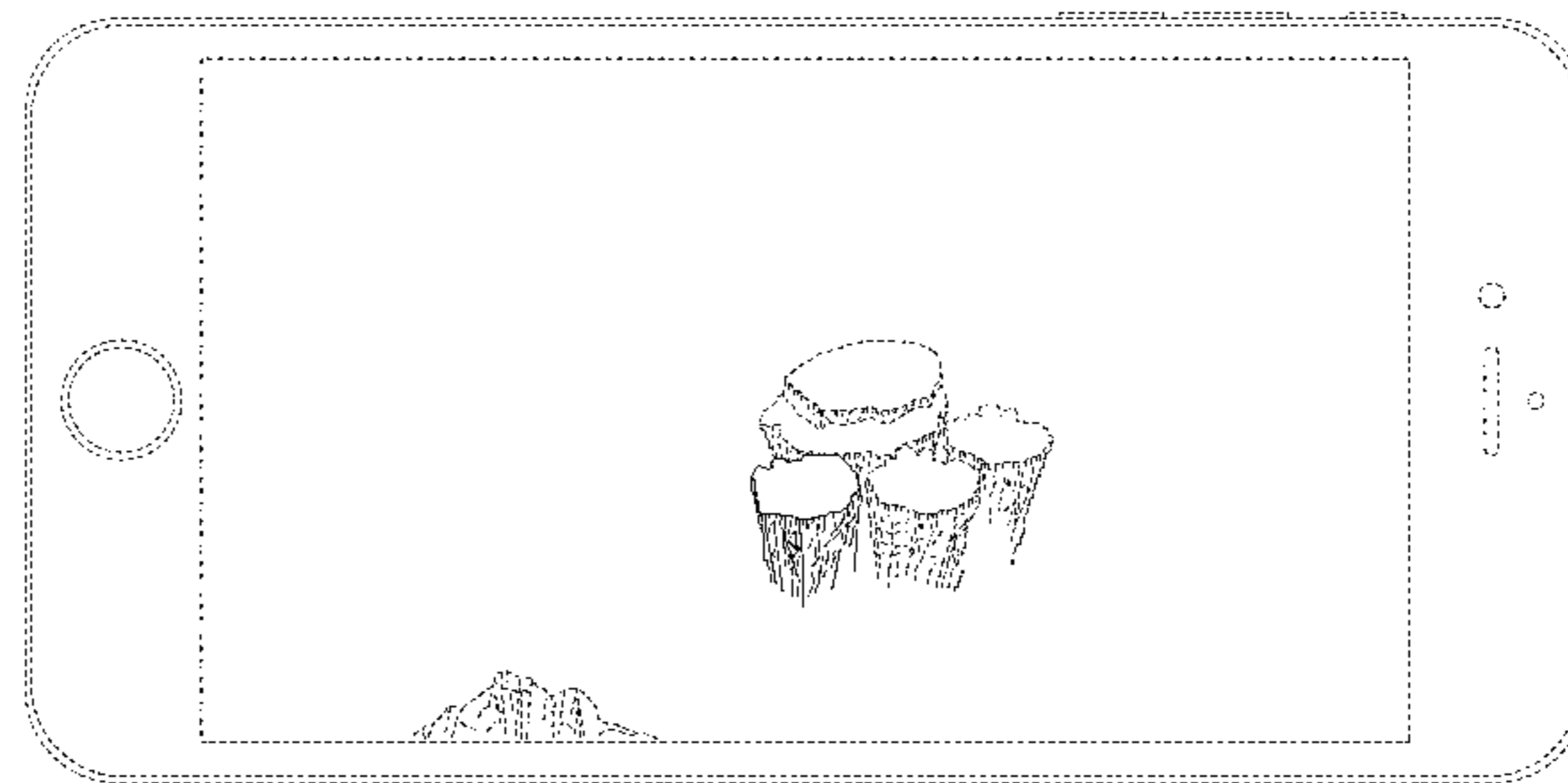
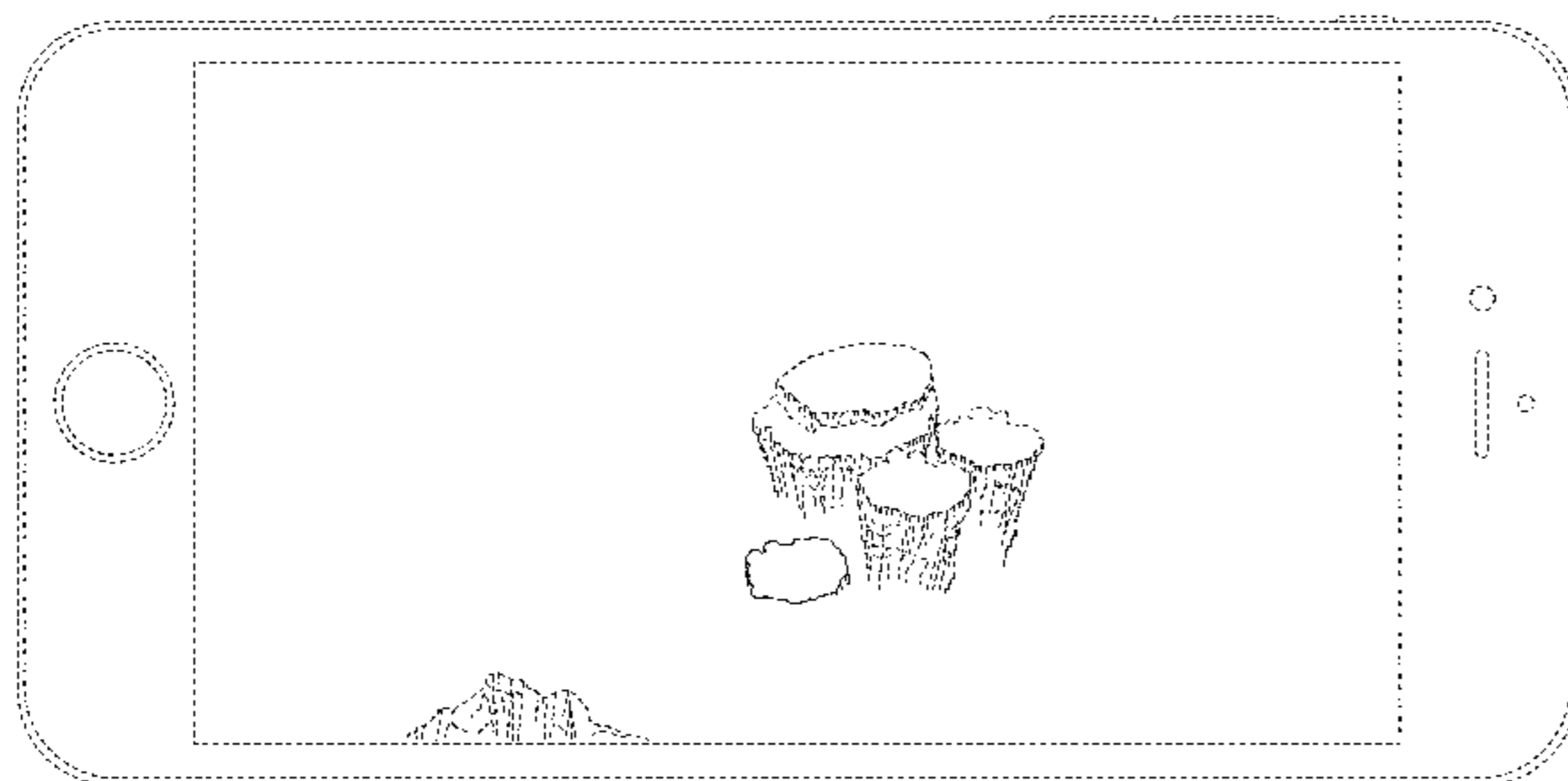
FIG. 4 is a face view of a portion of the display having a graphical user interface with transitional icon, illustrating a fourth image thereof; and,

FIG. 5 is a face view of a portion of the display having a graphical user interface with transitional icon, illustrating a fifth image thereof.

The appearance of the transitional icon sequentially transitions among the images shown in FIGS. 1-5. The process or period in which any image transitions to another image forms no part of the claimed design.

Subject matter shown in broken lines is environmental and forms no part of the claimed design.

**1 Claim, 5 Drawing Sheets**



(56)

**References Cited**

U.S. PATENT DOCUMENTS

D768,203 S \* 10/2016 Kemp ..... D14/492  
2013/0314341 A1 11/2013 Lee et al.

OTHER PUBLICATIONS

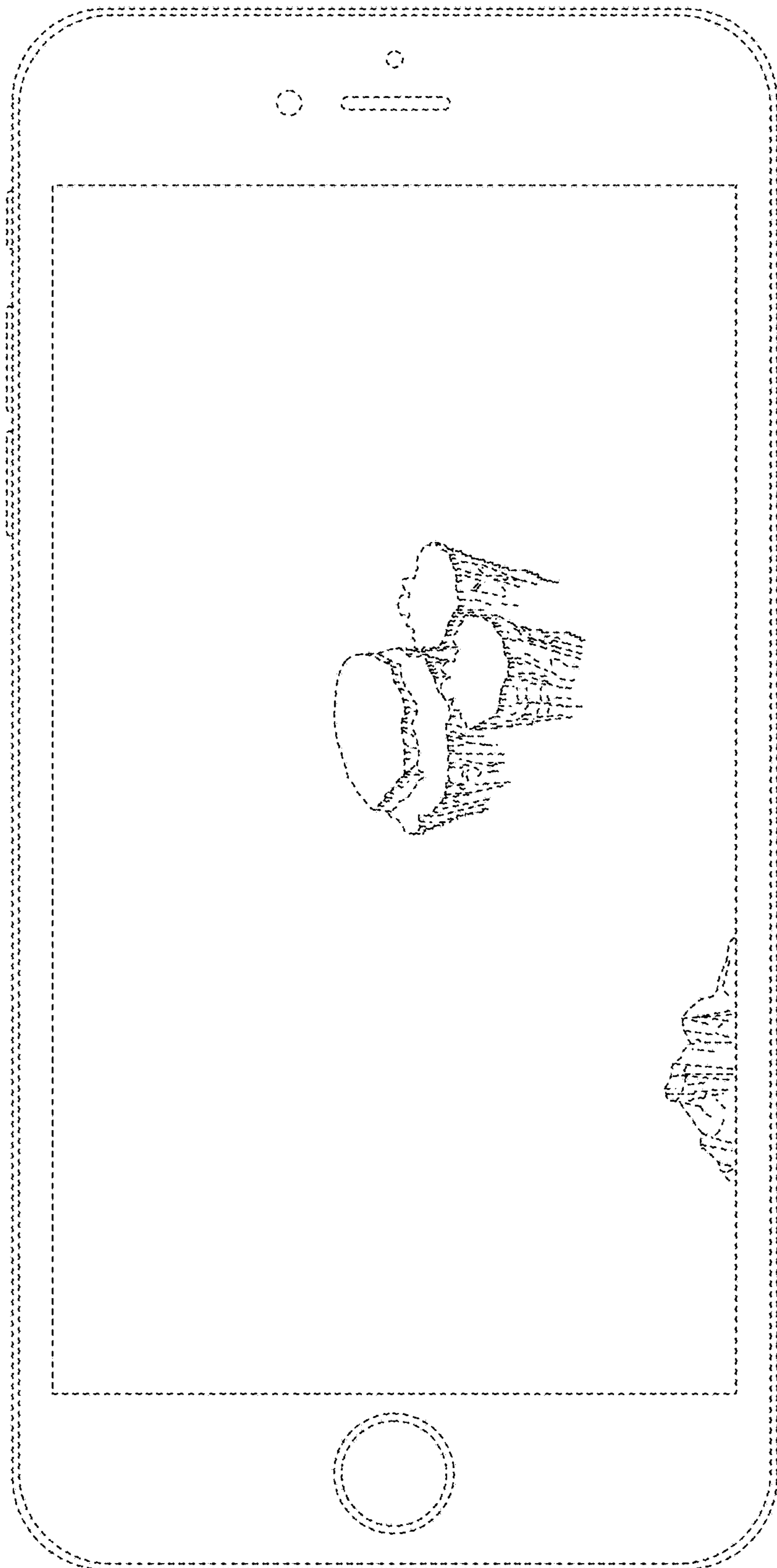
“U.S. Appl. No. 29/523,642, Notice of Allowance mailed Mar. 16, 2016”, 10 pgs.

“U.S. Appl. No. 29/538,767, Notice of Allowance mailed Mar. 23, 2016”, 10 pgs.

“U.S. Appl. No. 29/538,772, Non Final Office Action mailed Mar. 17, 2016”, 9 pgs.

“U.S. Appl. No. 29/538,772, Response filed May 6, 2016 to Non Final Office Action mailed Mar. 17, 2016”, 6 pgs.

\* cited by examiner



*FIG. 1*

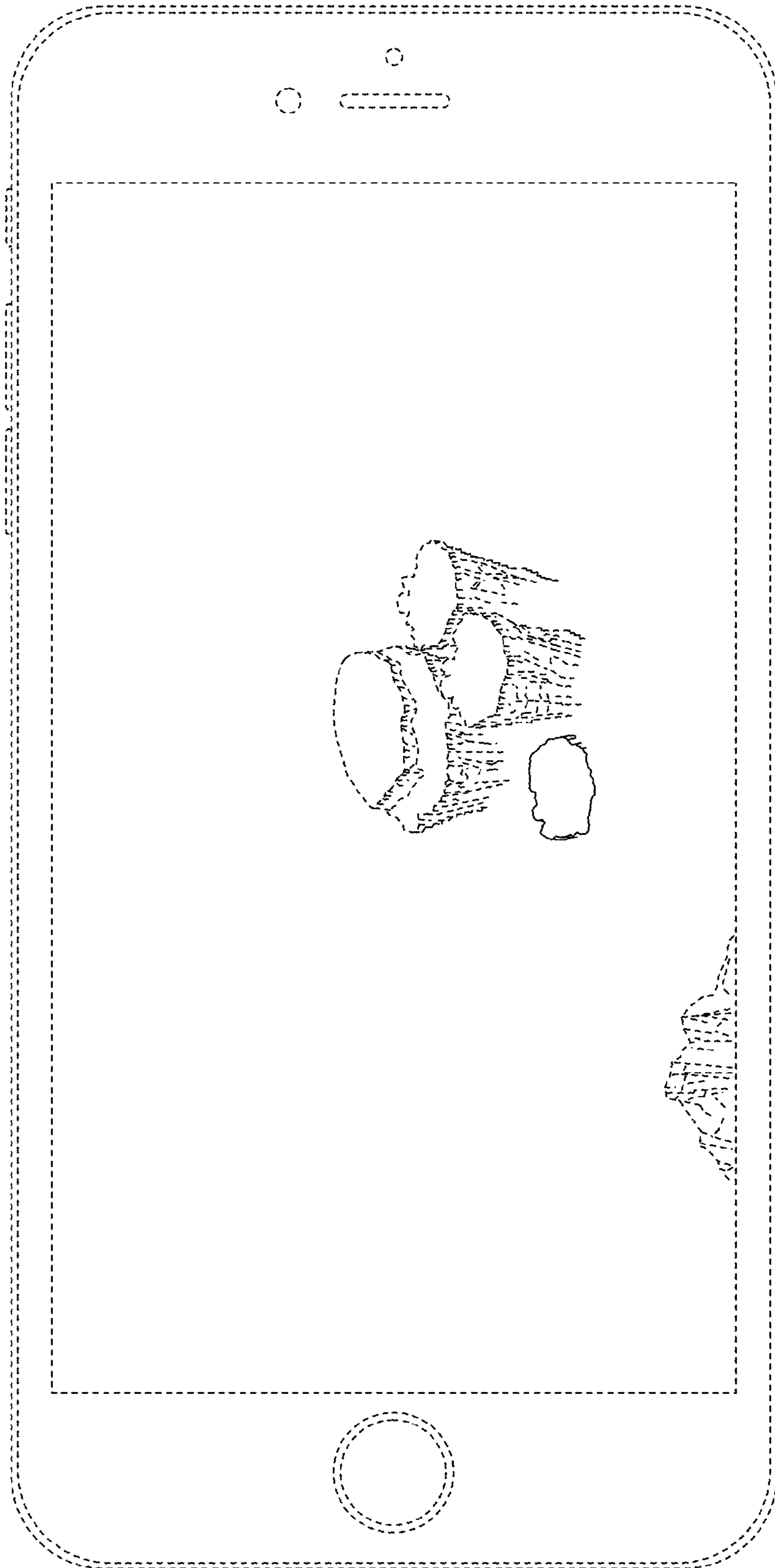


FIG. 2

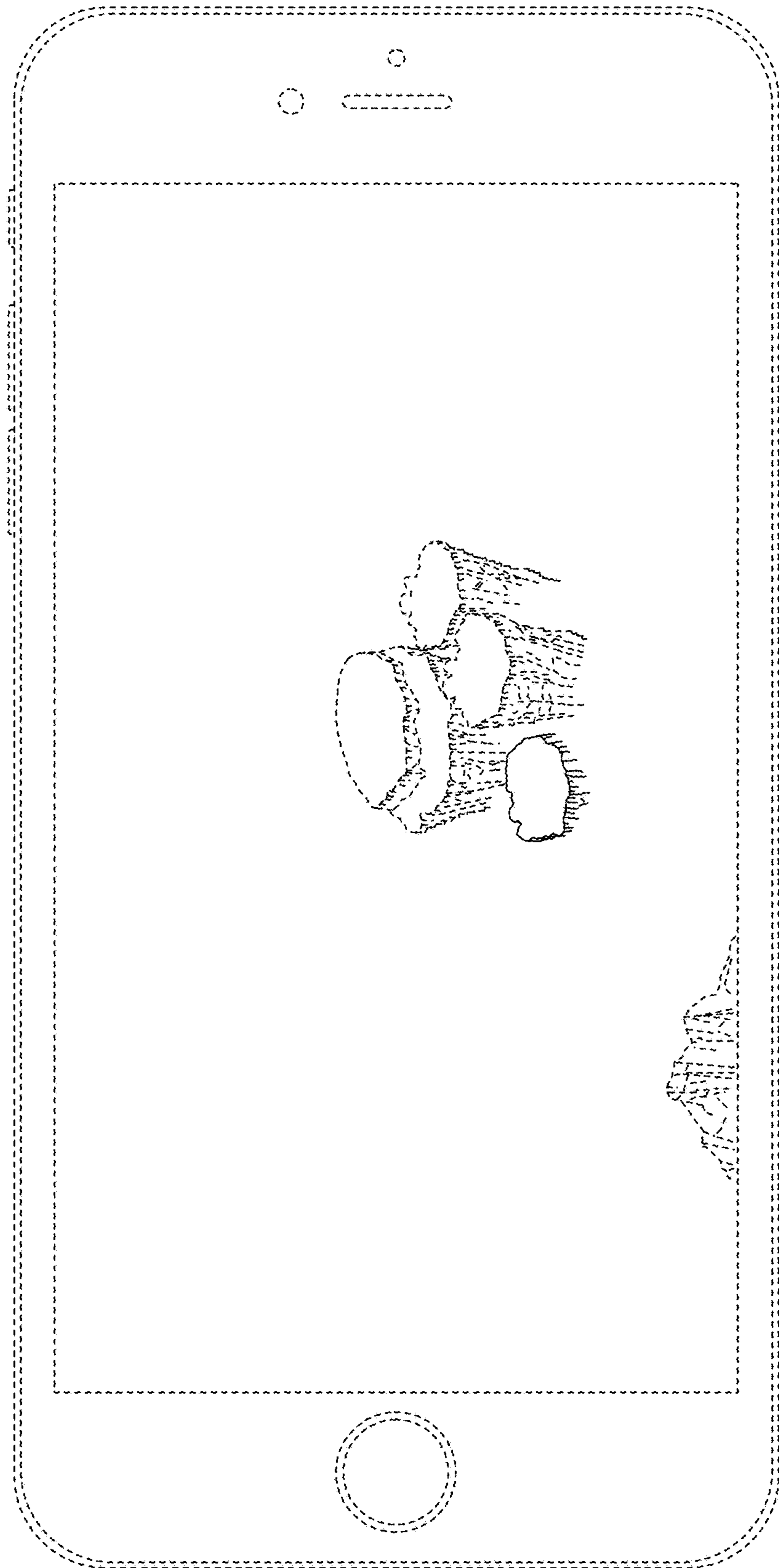


FIG. 3

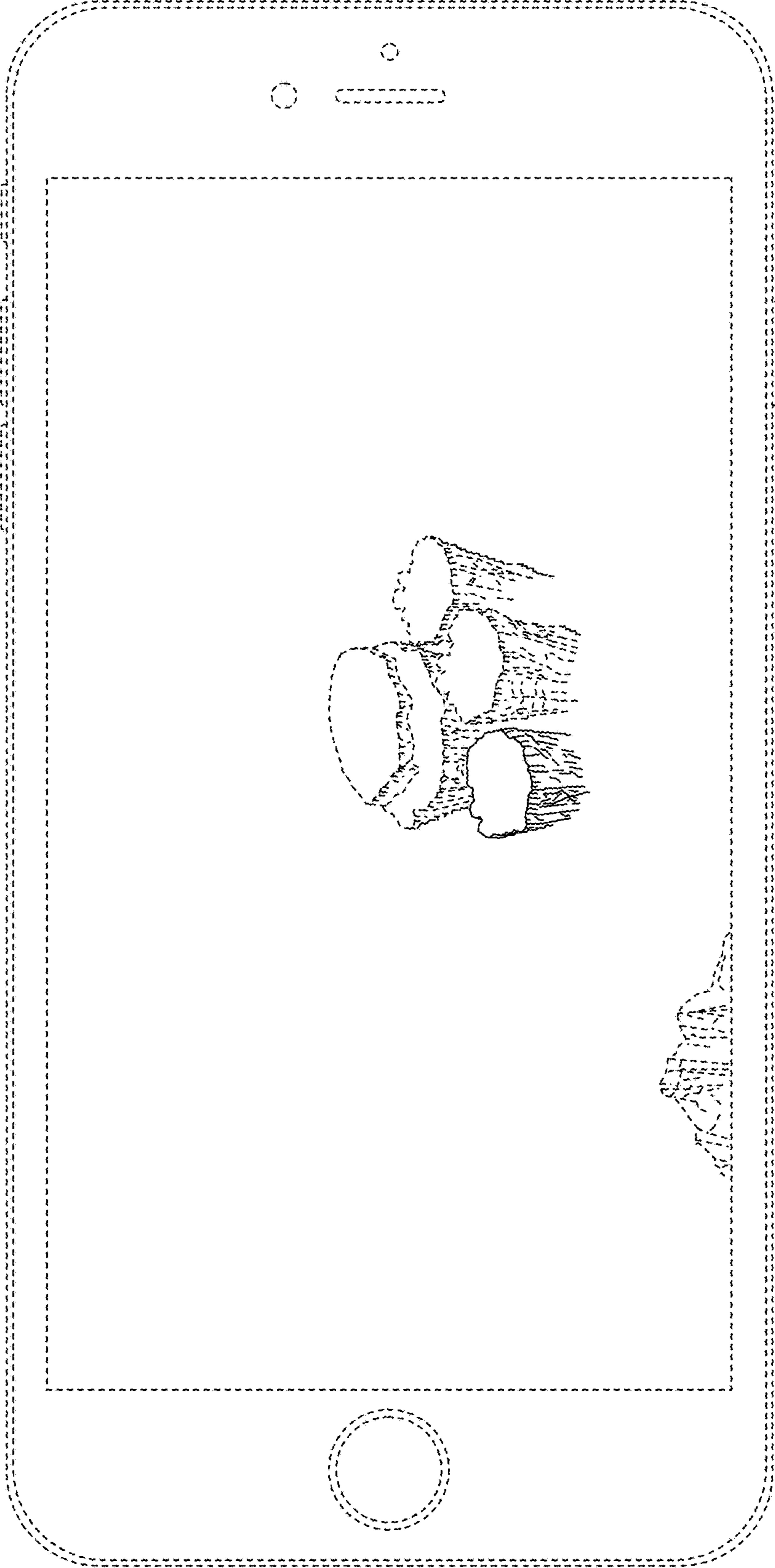


FIG. 4

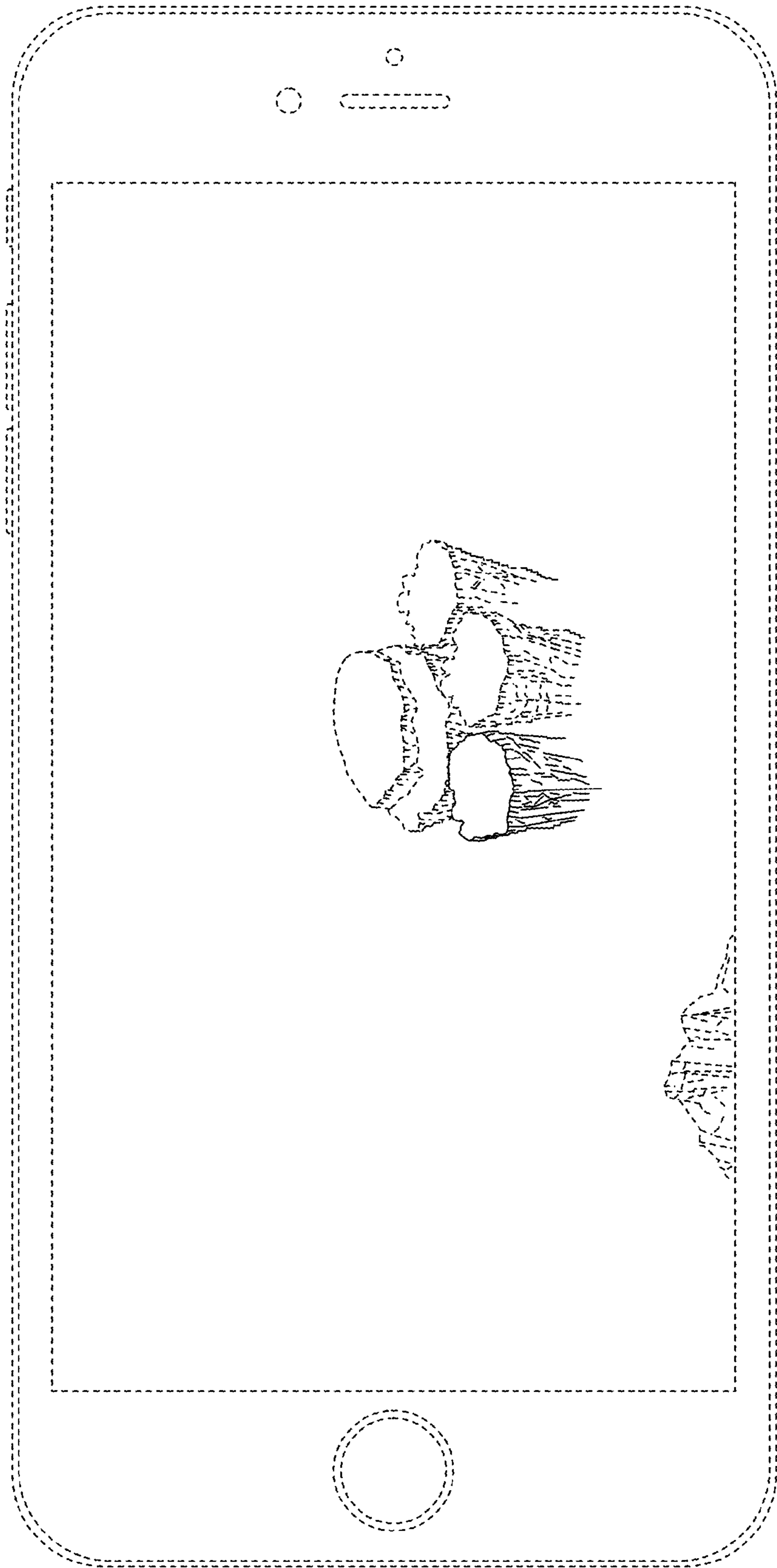


FIG. 5