



US00D777772S

(12) **United States Design Patent** (10) **Patent No.:** **US D777,772 S**  
**Zhang et al.** (45) **Date of Patent:** **\*\* Jan. 31, 2017**

- (54) **ELECTROSURGICAL GENERATOR DISPLAY SCREEN WITH TRANSITIONAL GRAPHICAL USER INTERFACE**
- (71) Applicant: **COVIDIEN LP**, Mansfield, MA (US)
- (72) Inventors: **Yong Zhang**, Shanghai (CN); **Pu Liu**, Shanghai (CN); **Rui Hong**, Guangdong (CN); **Peining Sun**, Shanghai (CN); **Peter B. Madson**, Shanghai (CN); **Benoit Marcel Guy Vitoux**, Shanghai (CN)
- (73) Assignee: **COVIDIEN LP**, Mansfield, MA (US)
- (\*\*) Term: **14 Years**
- (21) Appl. No.: **29/495,049**
- (22) Filed: **Jun. 26, 2014**
- (51) **LOC (10) Cl.** ..... **14-03**
- (52) **U.S. Cl.**  
USPC ..... **D14/488**
- (58) **Field of Classification Search**  
USPC ..... D14/485-495; D20/24; 715/702, 764;  
D24/170, 232, 144, 138, 169, 222  
CPC ..... G06F 3/016; G06F 3/0481; G06F 3/0482  
See application file for complete search history.

- (56) **References Cited**  
U.S. PATENT DOCUMENTS  
D264,122 S 4/1982 Oosten et al.  
D349,343 S 8/1994 Hannon et al.  
6,080,149 A 6/2000 Huang et al.  
D477,408 S 7/2003 Bromley  
D491,666 S 6/2004 Kimmell et al.  
D552,241 S 10/2007 Bromley et al.  
D574,323 S 8/2008 Waaler  
(Continued)

Primary Examiner — Rhea Shields

(57) **CLAIM**

The ornamental design for an electrosurgical generator display screen with transitional graphical user interface, as shown and described.

**DESCRIPTION**

The patent or application file contains at least one drawing executed in color. Copies of this patent or patent application publication with color drawing(s) will be provided by the Office upon request and payment of the necessary fee.

FIG. 1 is a front view of the electrosurgical generator display screen with transitional graphical user interface showing a first image;

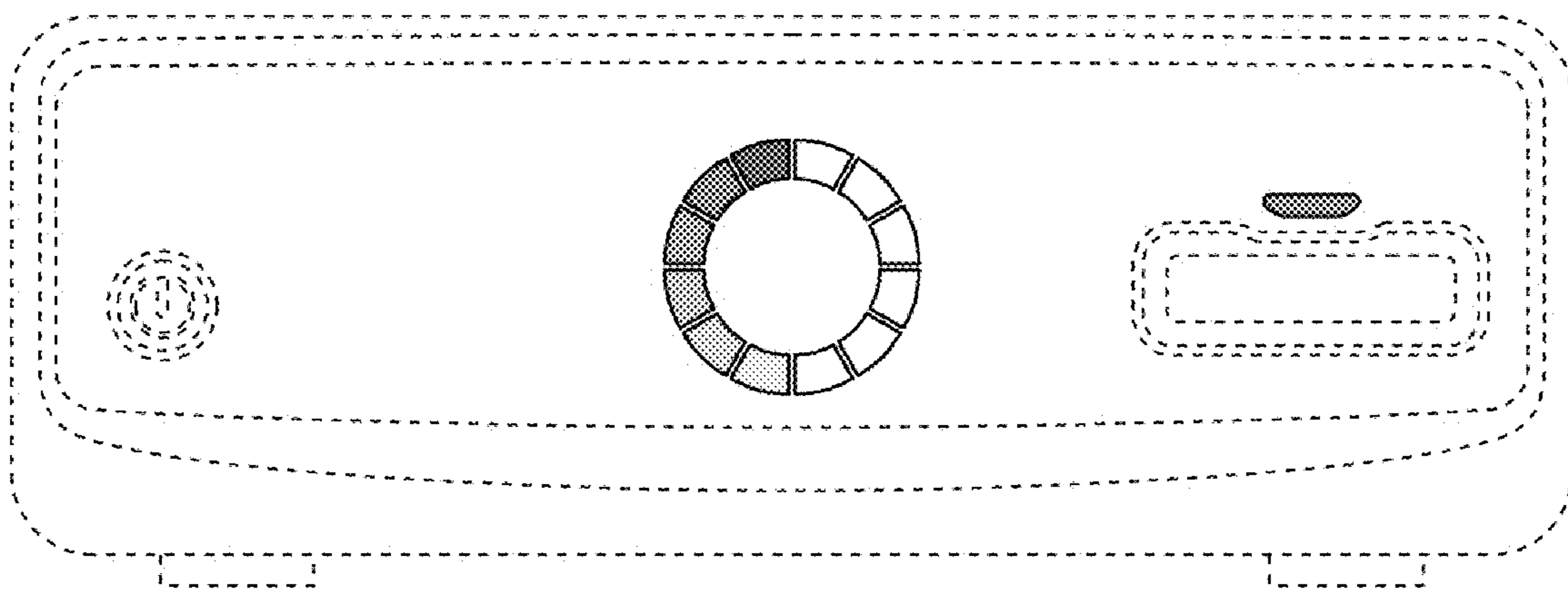
FIG. 2 is a front view of the electrosurgical generator display screen with transitional graphical user interface showing a second image; and,

FIG. 3 is a front view of the electrosurgical generator display screen with transitional graphical user interface showing a third image.

The appearance of the transitional image sequentially transitions between the images shown in FIGS. 1-3. The process or period that one image transitions to another image; forms no part of the claimed design.

In FIGS. 1-3, the dot-dash broken lines represent unclaimed boundary lines and form no part of the claimed design. The dash-dash broken lines are for the purpose of illustrating portions of an electrosurgical generator display screen with transitional graphical user interface that forms no part of the claimed design. The herein disclosed colors are only ornamentally related to the indications and states as described above and Applicant specifically disclaims any functional relationship of the ornamental colors and/or patterns disclosed herein to the states of the generator and/or a medical procedure.

**1 Claim, 1 Drawing Sheet**  
**(1 of 1 Drawing Sheet(s) Filed in Color)**



(56)

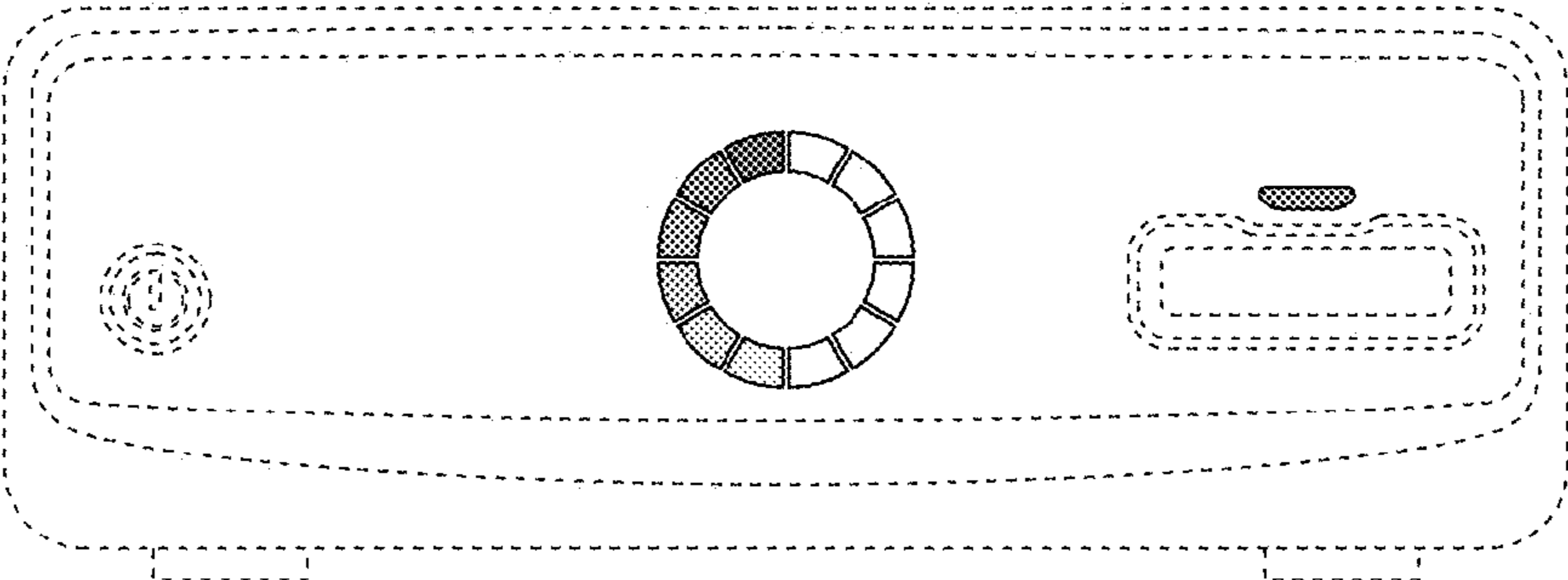
References Cited

U.S. PATENT DOCUMENTS

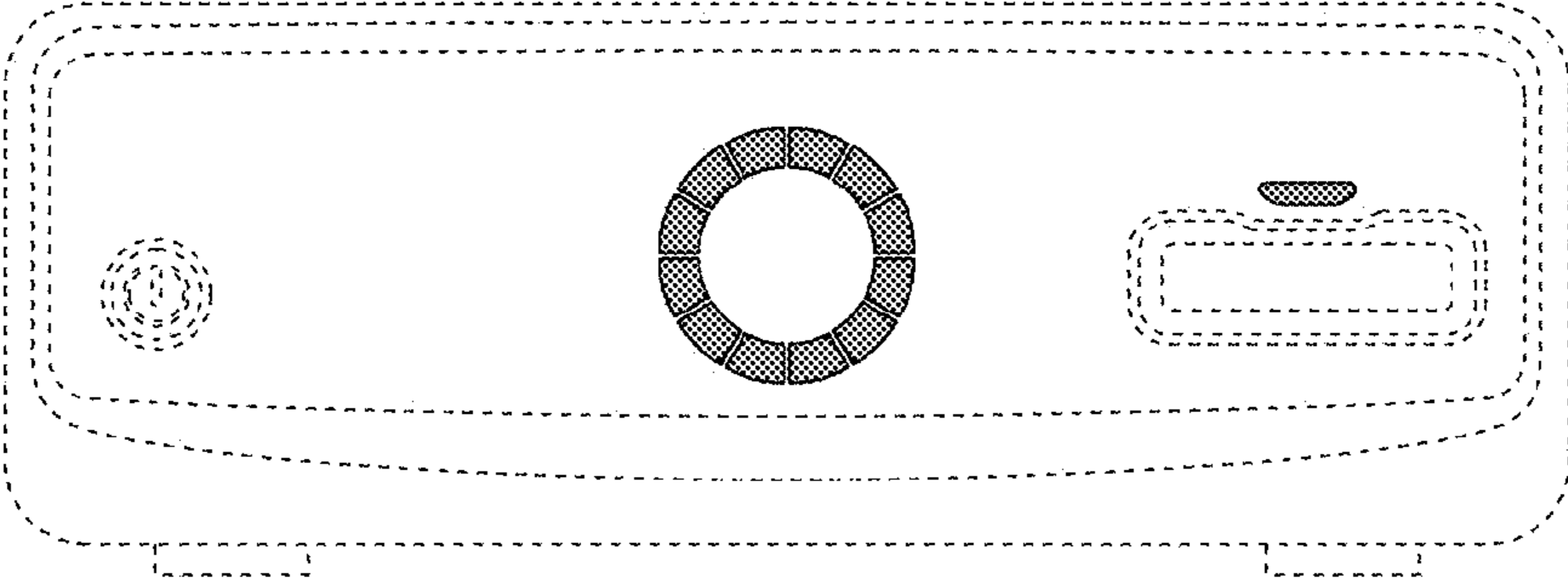
D676,457 S 2/2013 Frost et al.  
 D687,146 S 7/2013 Juzkiw et al.  
 D688,697 S \* 8/2013 Phelan ..... D14/489  
 D690,720 S \* 10/2013 Waldman ..... D14/485  
 D690,728 S \* 10/2013 Brinda ..... D14/488  
 D690,737 S \* 10/2013 Wen ..... D14/489  
 D691,171 S \* 10/2013 Brinda ..... D14/488  
 D691,629 S \* 10/2013 Matas ..... D14/488  
 D695,407 S 12/2013 Price et al.  
 D696,270 S \* 12/2013 Hyunjung ..... D14/486  
 D697,073 S \* 1/2014 Andersson ..... D14/485  
 D699,747 S \* 2/2014 Pearson ..... D14/488  
 D699,750 S \* 2/2014 Pearson ..... D14/488  
 D700,207 S \* 2/2014 Pearson ..... D14/488  
 D701,226 S \* 3/2014 Jung ..... D14/486  
 D701,869 S \* 4/2014 Matas ..... D14/486  
 D703,693 S \* 4/2014 Brinda ..... D14/488  
 D704,839 S 5/2014 Juzkiw et al.

D706,806 S \* 6/2014 Nishizawa ..... D14/488  
 D708,221 S \* 7/2014 Danton ..... D14/492  
 D709,092 S \* 7/2014 Mariet ..... D14/489  
 D709,915 S \* 7/2014 Inose ..... D14/492  
 D710,862 S \* 8/2014 Wang ..... D14/485  
 D712,425 S \* 9/2014 Nagaoka ..... D14/485  
 D712,911 S \* 9/2014 Pearson ..... D14/486  
 D713,850 S \* 9/2014 Jiyeon ..... D14/485  
 D714,320 S \* 9/2014 Pereira ..... D14/485  
 D714,325 S \* 9/2014 Pereira ..... D14/485  
 D714,819 S \* 10/2014 Wang ..... D14/486  
 D715,811 S \* 10/2014 Tsukamoto ..... D14/485  
 D719,180 S \* 12/2014 Liang ..... D14/486  
 D721,084 S \* 1/2015 Kimball ..... D14/485  
 D724,618 S \* 3/2015 Shin ..... D14/487  
 D725,148 S \* 3/2015 Pereira ..... D14/492  
 D728,598 S \* 5/2015 Lee ..... D14/486  
 D729,260 S \* 5/2015 Ahn ..... D14/485  
 D730,395 S \* 5/2015 Smith ..... D14/489  
 2015/0082162 A1 \* 3/2015 Cho ..... G06F 3/016  
 715/702

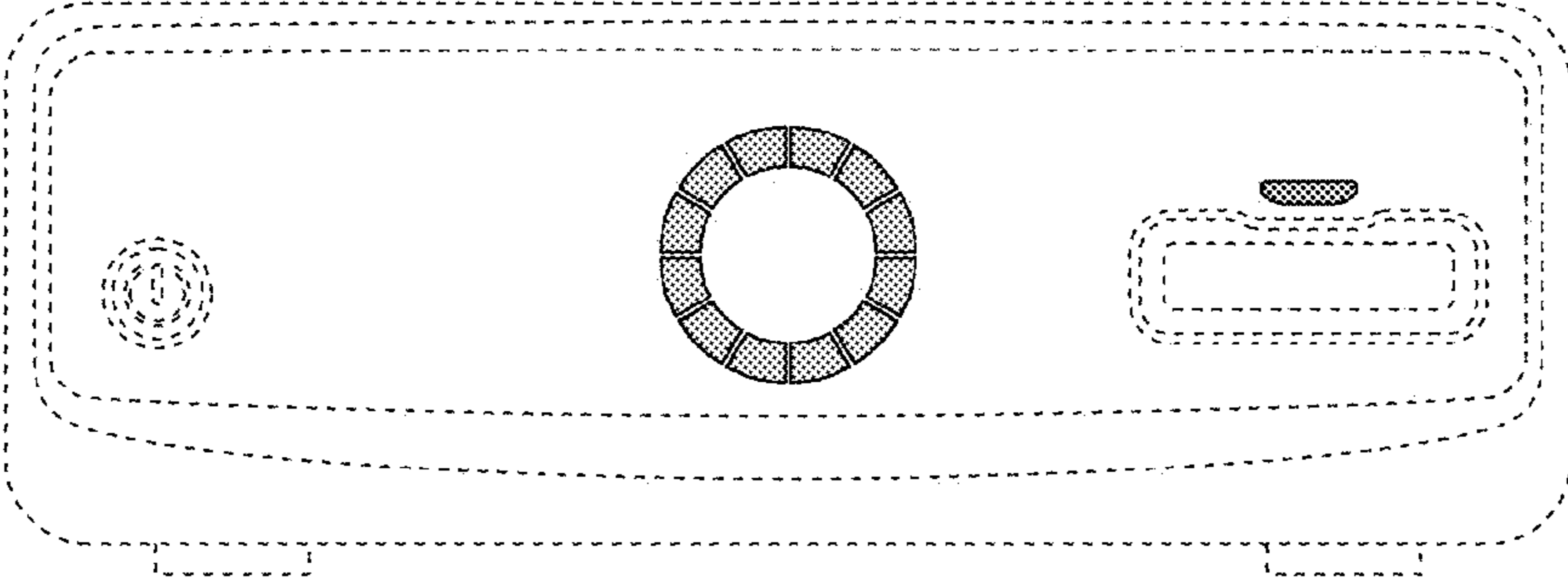
\* cited by examiner



**Fig. 1**



**Fig. 2**



**Fig. 3**