



US00D777744S

(12) **United States Design Patent**  
**Wang et al.**

(10) **Patent No.:** **US D777,744 S**  
(45) **Date of Patent:** **\*\* Jan. 31, 2017**

(54) **DISPLAY SCREEN WITH AN ANIMATED GRAPHICAL USER INTERFACE**

(71) Applicants: **Beijing Qihoo Technology Co. Ltd,** Beijing (CN); **Qizhi Software (Beijing) Co. Ltd,** Beijing (CN)

(72) Inventors: **Dongbin Wang,** Beijing (CN); **Zhi Liu,** Beijing (CN); **Hongyi Zhou,** Beijing (CN)

(73) Assignees: **Beijing Qihoo Technology Co. Ltd,** Beijing (CN); **Qizhi Software (Beijing) Co., Ltd,** Beijing (CN)

(\*\*) Term: **14 Years**

(21) Appl. No.: **29/507,811**

(22) Filed: **Oct. 30, 2014**

(30) **Foreign Application Priority Data**

May 1, 2014 (CN) ..... 2014 3 0114682

(51) **LOC (10) Cl.** ..... **14-04**

(52) **U.S. Cl.**  
USPC ..... **D14/486**

(58) **Field of Classification Search**  
USPC ..... D14/485-495; 715/702, 763, 840  
CPC G06F 3/04845; G06F 3/04847; G06F 1/1692;  
G06F 3/04817; G06F 15/02; G06Q  
10/063114; H04N 1/00477; G11B 27/34;  
G06T 13/80

See application file for complete search history.

(56) **References Cited**

**U.S. PATENT DOCUMENTS**

D397,370 S \* 8/1998 Chen ..... D14/486  
D469,108 S \* 1/2003 Lorenzo ..... D14/456

6,554,704 B2 \* 4/2003 Nicastro ..... G07F 17/32  
273/143 R  
D480,092 S \* 9/2003 Kreikemeier ..... D14/486  
D566,722 S \* 4/2008 Jackson ..... D14/489

(Continued)

**OTHER PUBLICATIONS**

Pac Man Logo Car Decal (on-line), dated Nov. 20, 2013. Retrieved from Internet Mar. 24, 2016, URL: <https://web.archive.org/web/20131120031416/http://www.anydecals.com/pac-man-logo-car-decal/> (1 page).\*

*Primary Examiner* — Barbara Fox

*Assistant Examiner* — Kimberly Barnes

(74) *Attorney, Agent, or Firm* — Baker & Hostetler LLP

(57) **CLAIM**

We claim the ornamental design for a display screen with an animated graphical user interface, as shown and described.

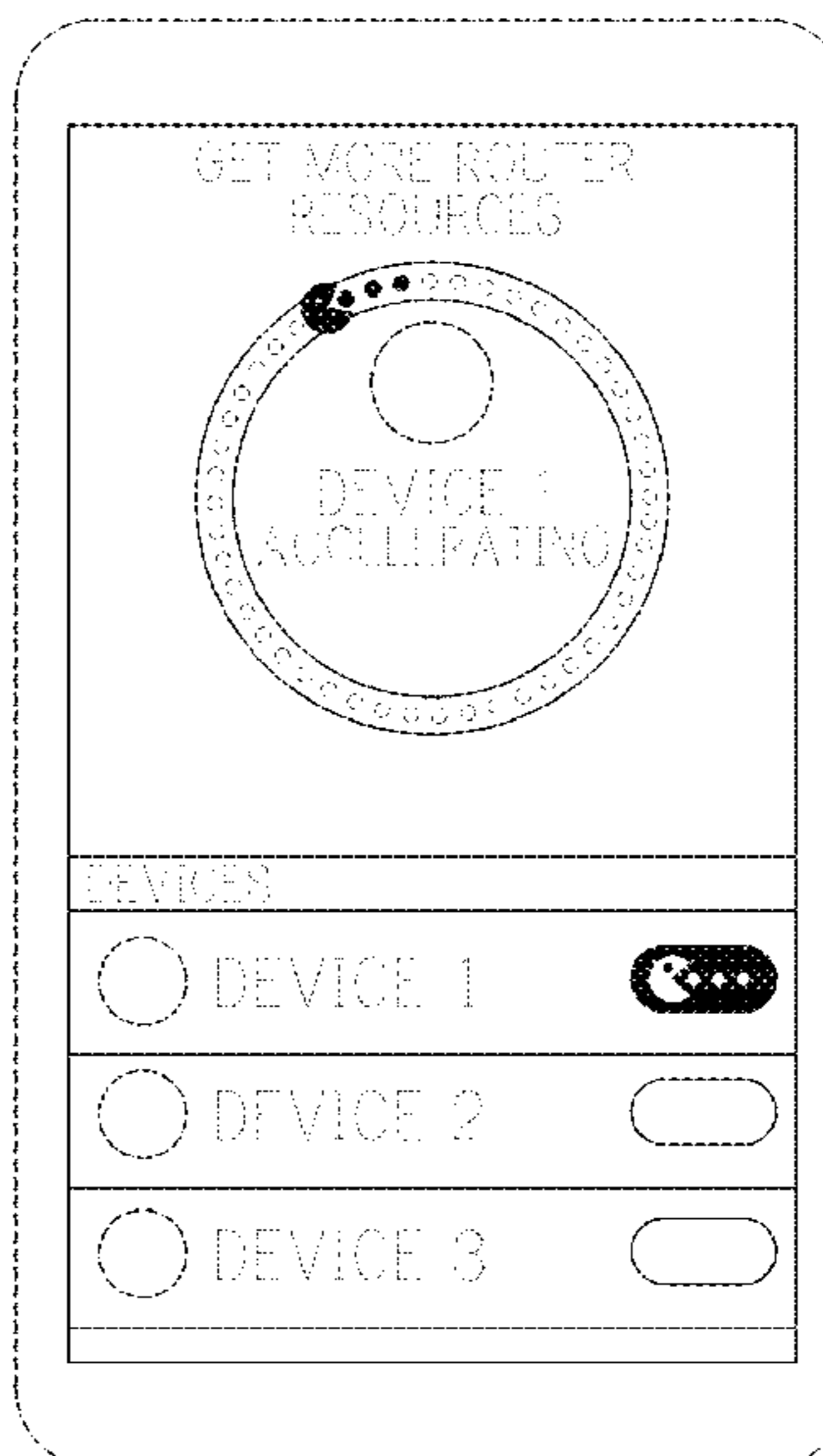
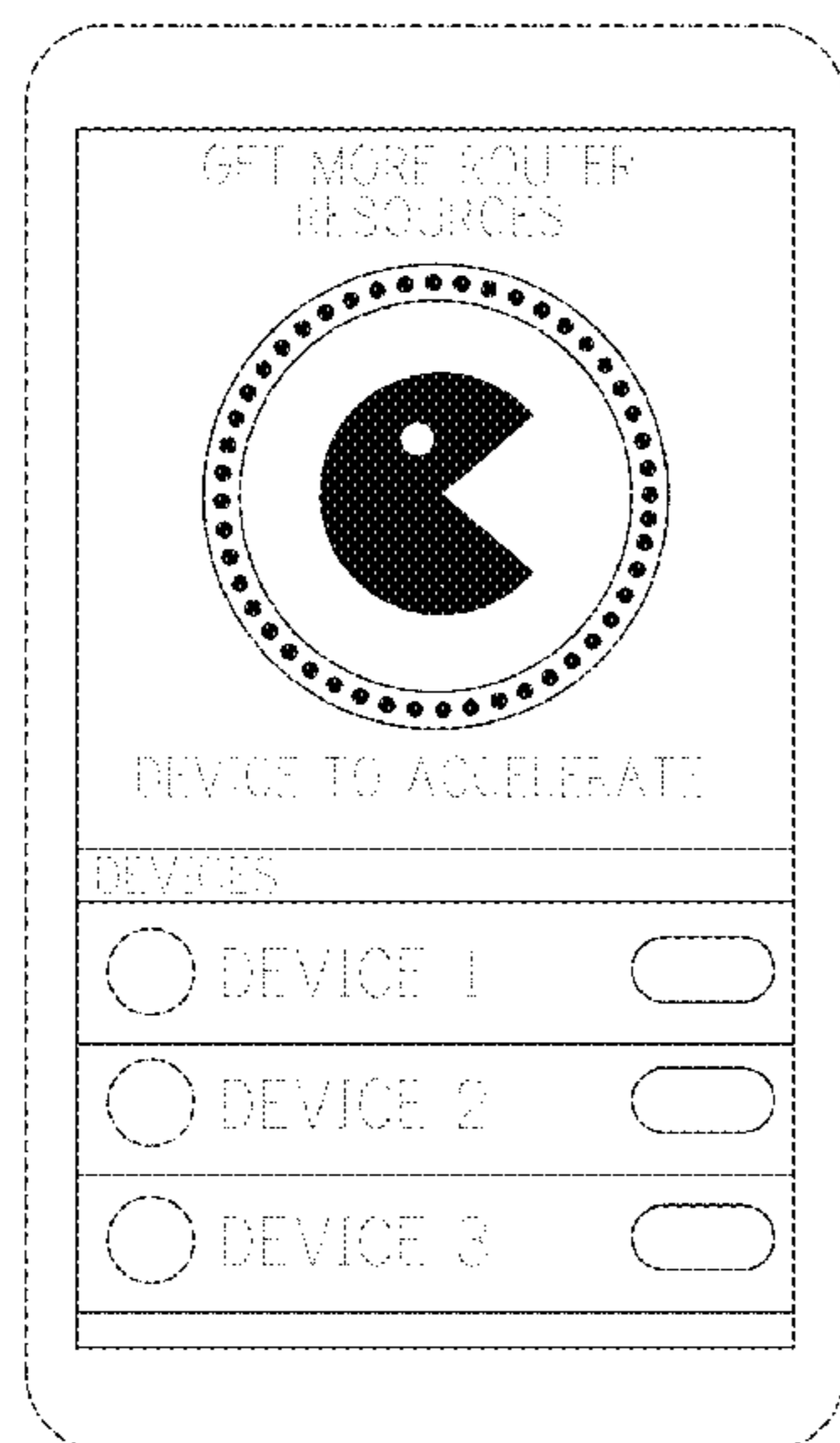
**DESCRIPTION**

FIG. 1 is a first image in a sequence for a display screen with an animated graphical user interface;  
FIG. 2 is a second image thereof;  
FIG. 3 is a third image thereof;  
FIG. 4 is a fourth image thereof;  
FIG. 5 is a fifth image thereof; and,  
FIG. 6 is a sixth image thereof.

The broken line showing of the outermost rectangle in the drawings depicts environmental subject matter and forms no part of the claimed design. The remaining broken lines illustrate portions of the display screen with an animated graphical user interface that form no part of the claimed design.

The appearance of the transitional image sequentially transitions between the images shown in FIGS. 1-6. The process or period in which one image transitions to another forms no part of the claimed design.

**1 Claim, 3 Drawing Sheets**



(56)

## References Cited

## U.S. PATENT DOCUMENTS

D599,814 S \* 9/2009 Ogura ..... D14/489  
7,614,951 B2 \* 11/2009 Flemming ..... G07F 17/3244  
273/141 R  
D617,338 S \* 6/2010 McCain ..... D14/489  
D637,610 S \* 5/2011 Batchelder ..... D14/488  
D645,470 S \* 9/2011 Matas ..... D14/489  
D650,790 S \* 12/2011 Jeans ..... D14/488  
D656,503 S \* 3/2012 Brierley ..... D14/485  
8,303,387 B2 \* 11/2012 Spivack ..... A63F 13/12  
463/4  
8,360,854 B2 \* 1/2013 Popovich ..... G07F 17/32  
463/22  
D697,074 S \* 1/2014 Waldman ..... D14/485  
D711,418 S \* 8/2014 Xie ..... D14/487  
D725,133 S \* 3/2015 Smirin ..... D14/486  
D733,175 S \* 6/2015 Bae ..... D14/486  
9,146,111 B2 \* 9/2015 Barnes ..... G06Q 10/06  
D743,992 S \* 11/2015 Lee ..... D14/487  
D746,294 S \* 12/2015 Jung ..... D14/485  
D747,732 S \* 1/2016 Scalisi ..... D14/486  
2006/0139328 A1 \* 6/2006 Maki ..... G06F 1/1616  
345/161  
2010/0306825 A1 \* 12/2010 Spivack ..... A63F 13/10  
726/4  
2014/0267592 A1 \* 9/2014 Lee ..... H04N 5/23238  
348/36

\* cited by examiner

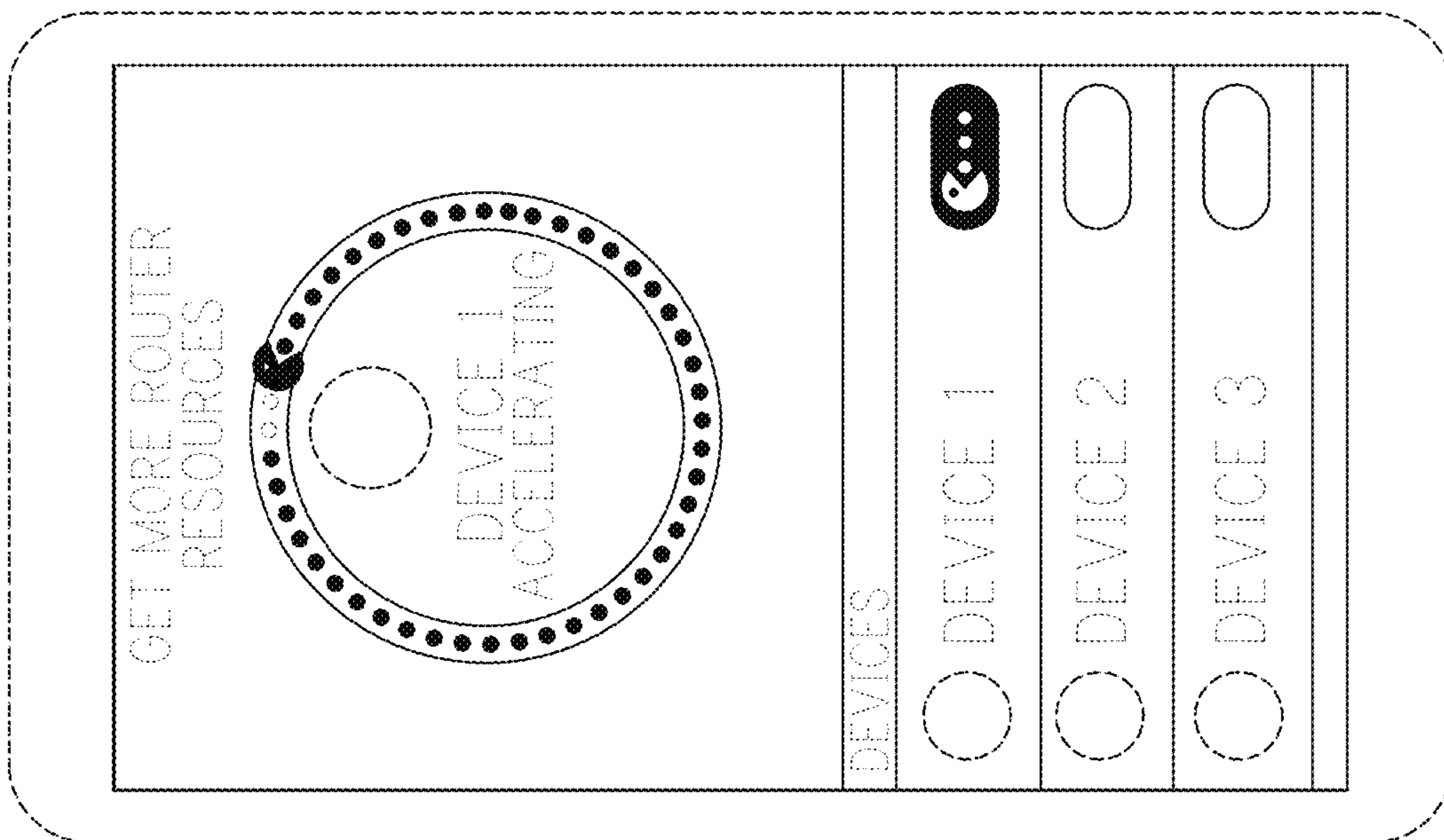


FIG. 1

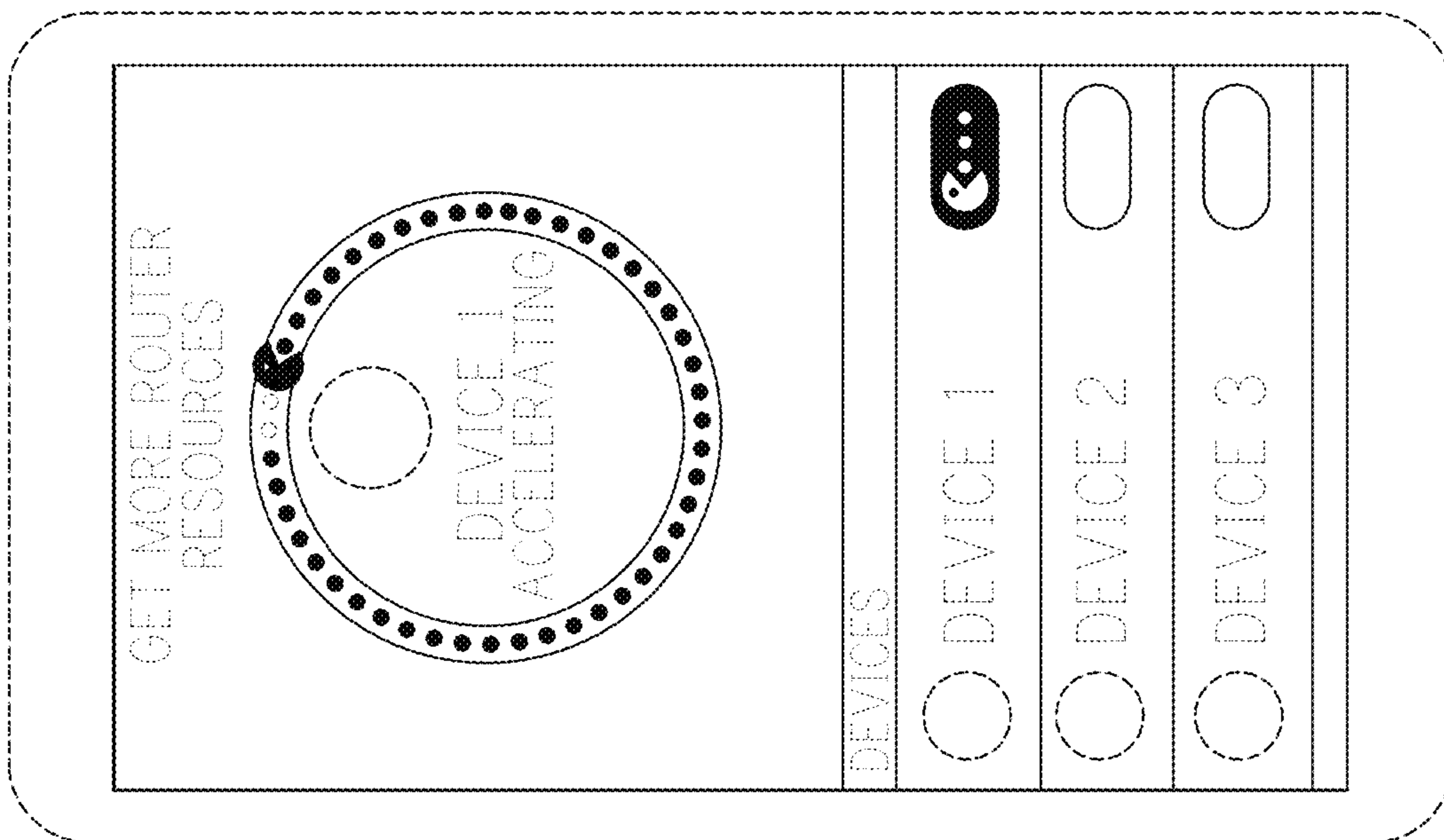


FIG. 2

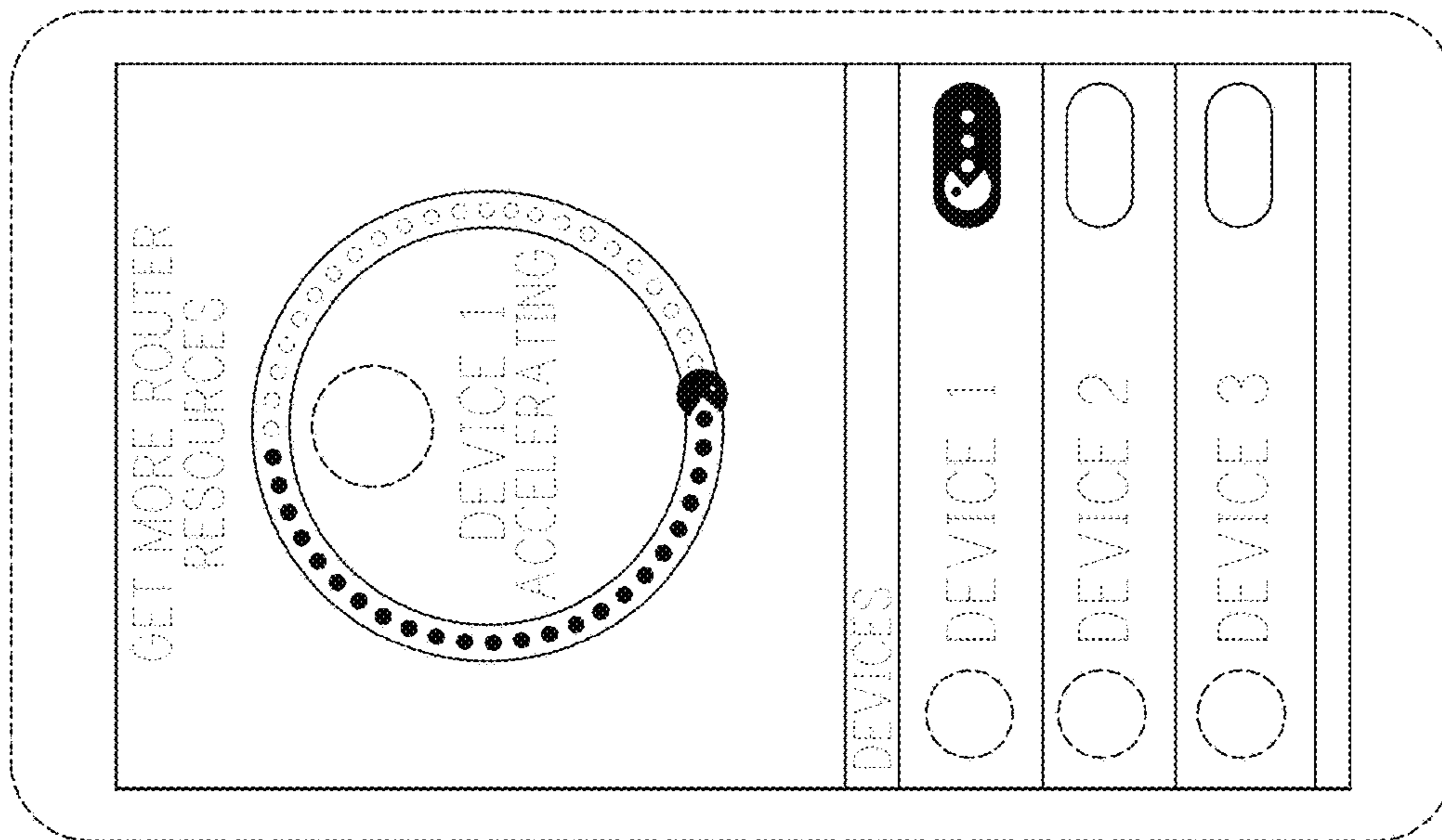


FIG. 4

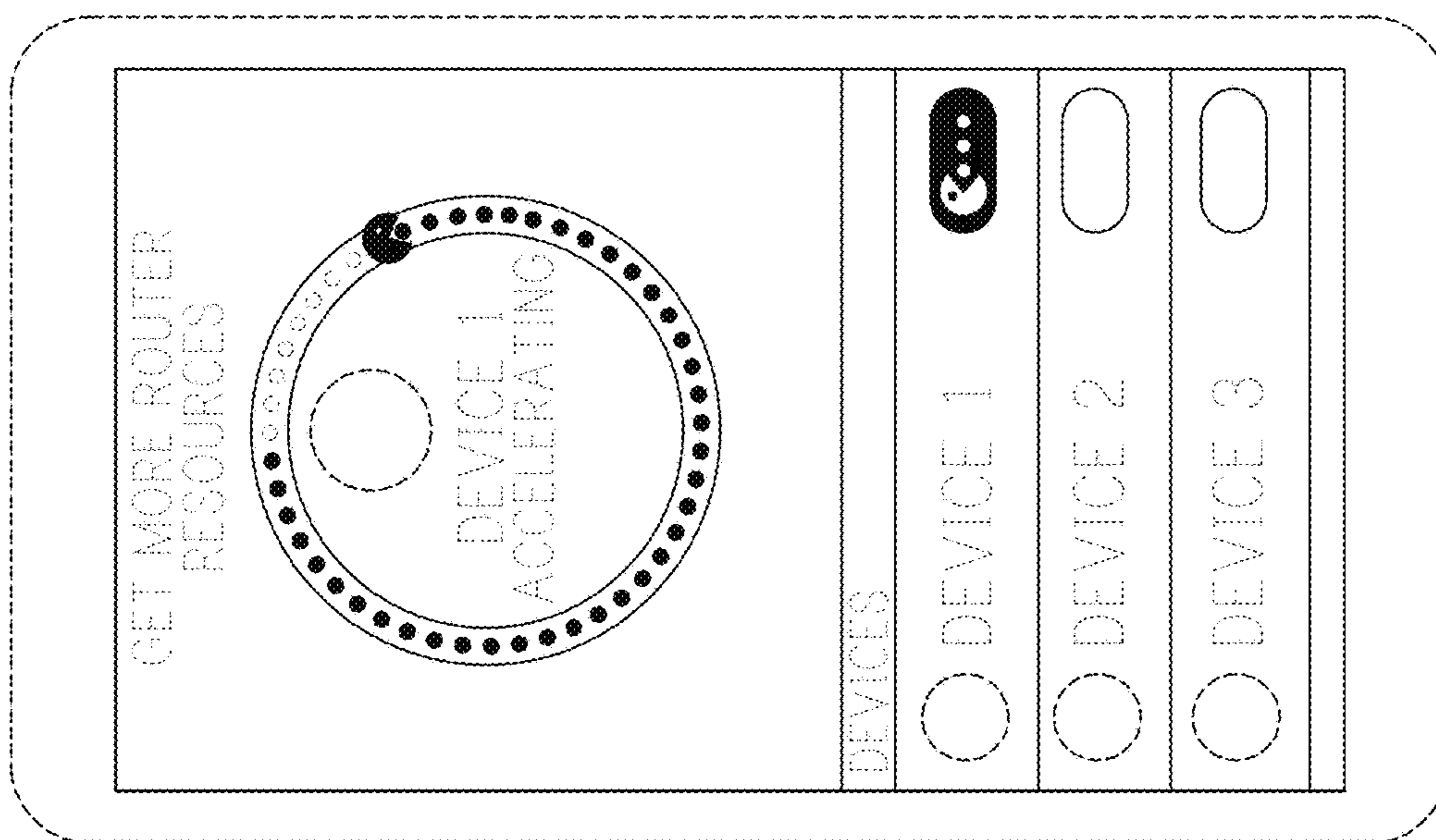


FIG. 3

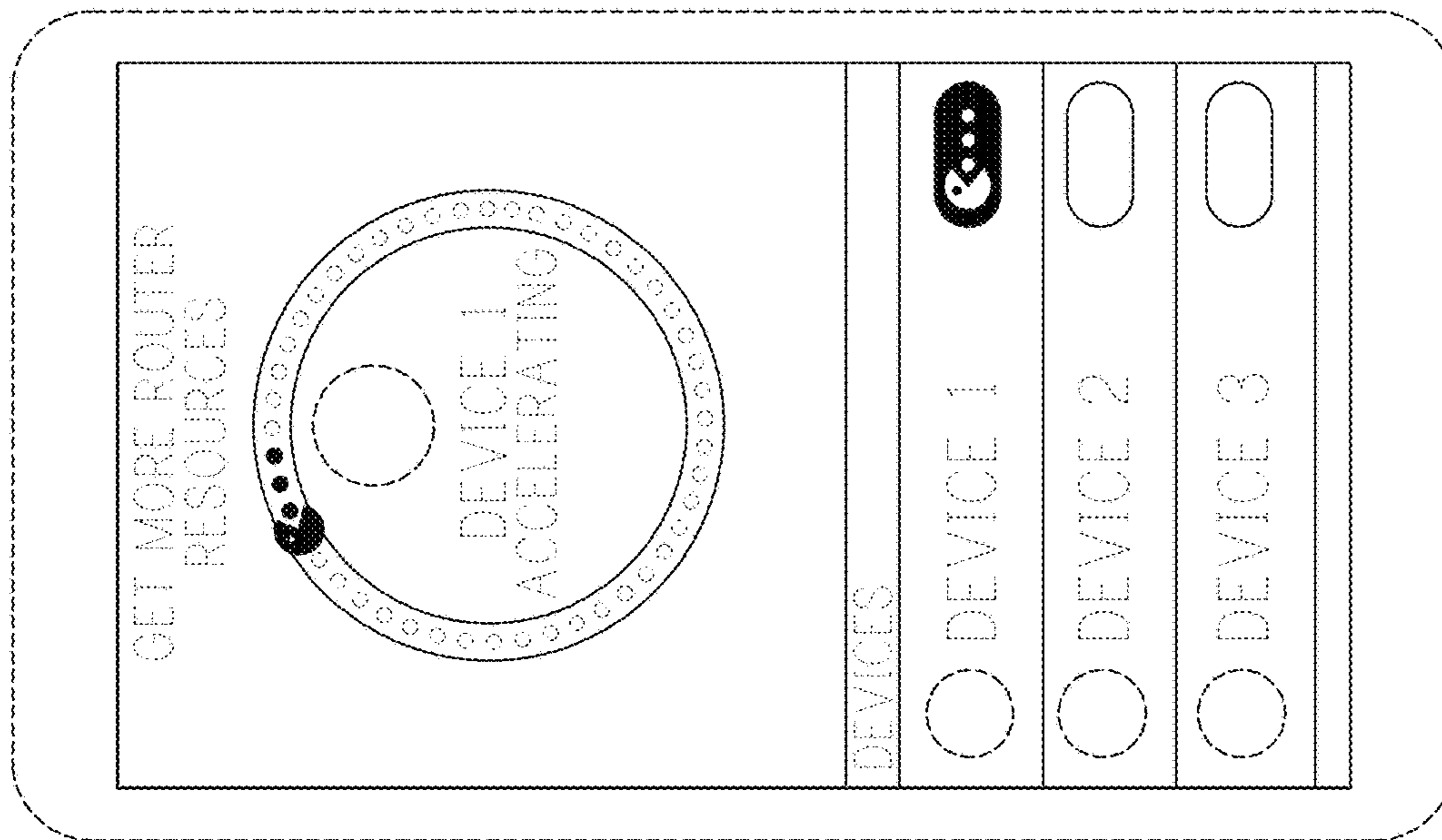


FIG. 5

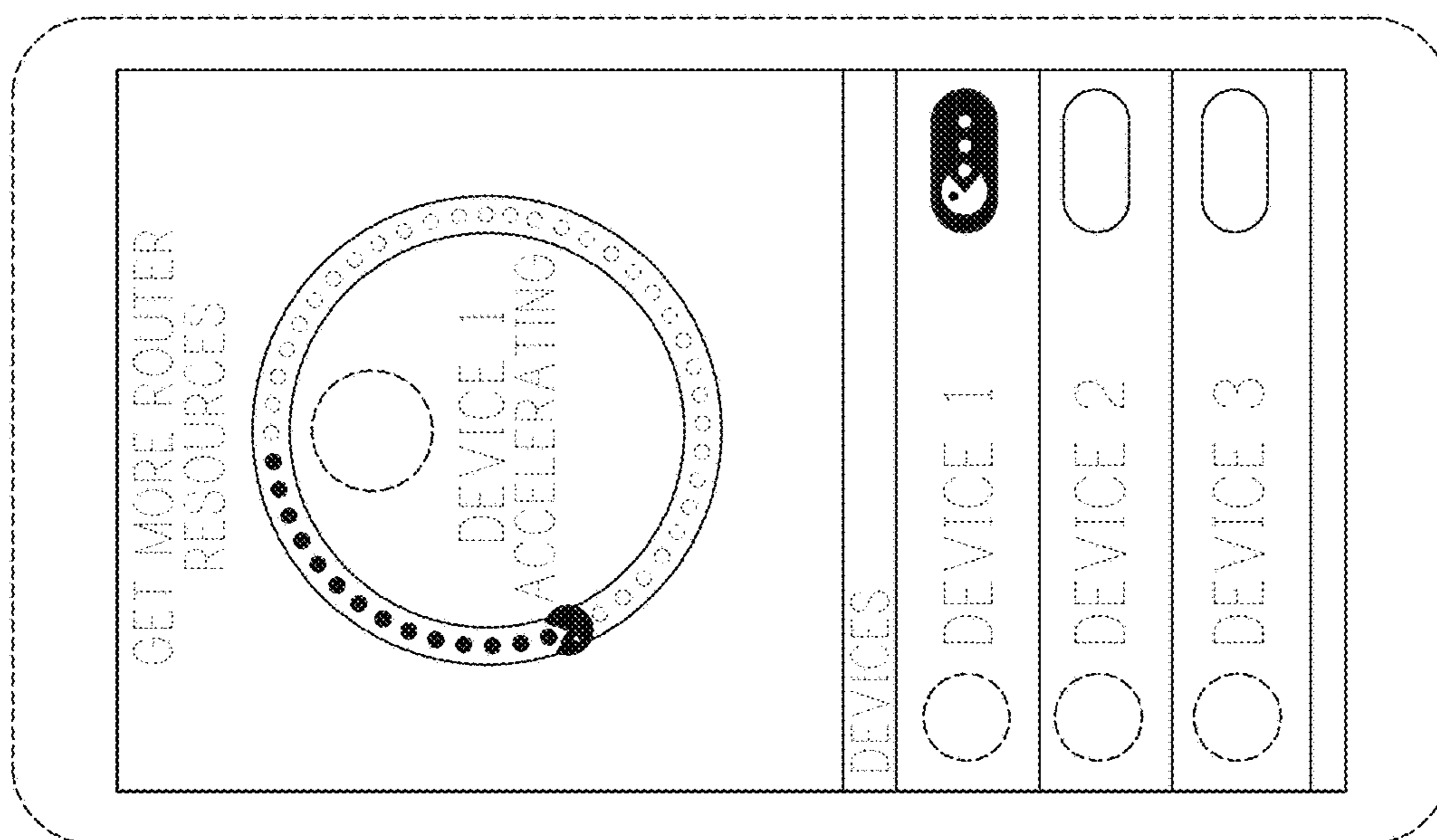


FIG. 6