



US00D777736S

(12) **United States Design Patent**  
**Aoshima**

(10) **Patent No.:** **US D777,736 S**  
(45) **Date of Patent:** **\*\* Jan. 31, 2017**

(54) **TRANSITIONAL IMAGE FOR PORTION OF DISPLAY SCREEN FOR DIGITAL CAMERA**

(71) Applicant: **FUJIFILM Corporation**, Minato-ku, Tokyo (JP)

(72) Inventor: **Yuzo Aoshima**, Tokyo (JP)

(73) Assignee: **FUJIFILM Corporation**, Tokyo (JP)

(\*\*) Term: **15 Years**

(21) Appl. No.: **29/538,895**

(22) Filed: **Sep. 9, 2015**

**Related U.S. Application Data**

(62) Division of application No. 29/455,379, filed on May 20, 2013, now Pat. No. Des. 760,234.

(30) **Foreign Application Priority Data**

Nov. 30, 2012 (JP) ..... 2012-029374  
Nov. 30, 2012 (JP) ..... 2012-029385  
Nov. 30, 2012 (JP) ..... 2012-029387

(51) **LOC (10) Cl.** ..... **14-04**

(52) **U.S. Cl.**  
CPC ..... **G06F 3/04817** (2013.01)  
USPC ..... **D14/485**; D14/494

(58) **Field of Classification Search**  
USPC ..... D14/485-495; 715/700-867, 973-977  
CPC ..... G06F 3/0481-3/0486  
See application file for complete search history.

(56) **References Cited**

**U.S. PATENT DOCUMENTS**

D609,714 S \* 2/2010 Oda ..... D14/485  
D622,729 S \* 8/2010 Oda ..... D14/485

D633,509 S \* 3/2011 Oda ..... D14/485  
D659,152 S \* 5/2012 Oda ..... D14/485  
D675,241 S \* 1/2013 Oda ..... D14/486  
D681,652 S \* 5/2013 Oda ..... D14/485  
D682,848 S \* 5/2013 Aoshima ..... D14/485  
D682,849 S \* 5/2013 Aoshima ..... D14/485  
D684,162 S \* 6/2013 Aoshima ..... D14/485  
D700,193 S \* 2/2014 Oda ..... D14/485

(Continued)

*Primary Examiner* — Richard E Chilcot

(74) *Attorney, Agent, or Firm* — Sughrue Mion, PLLC

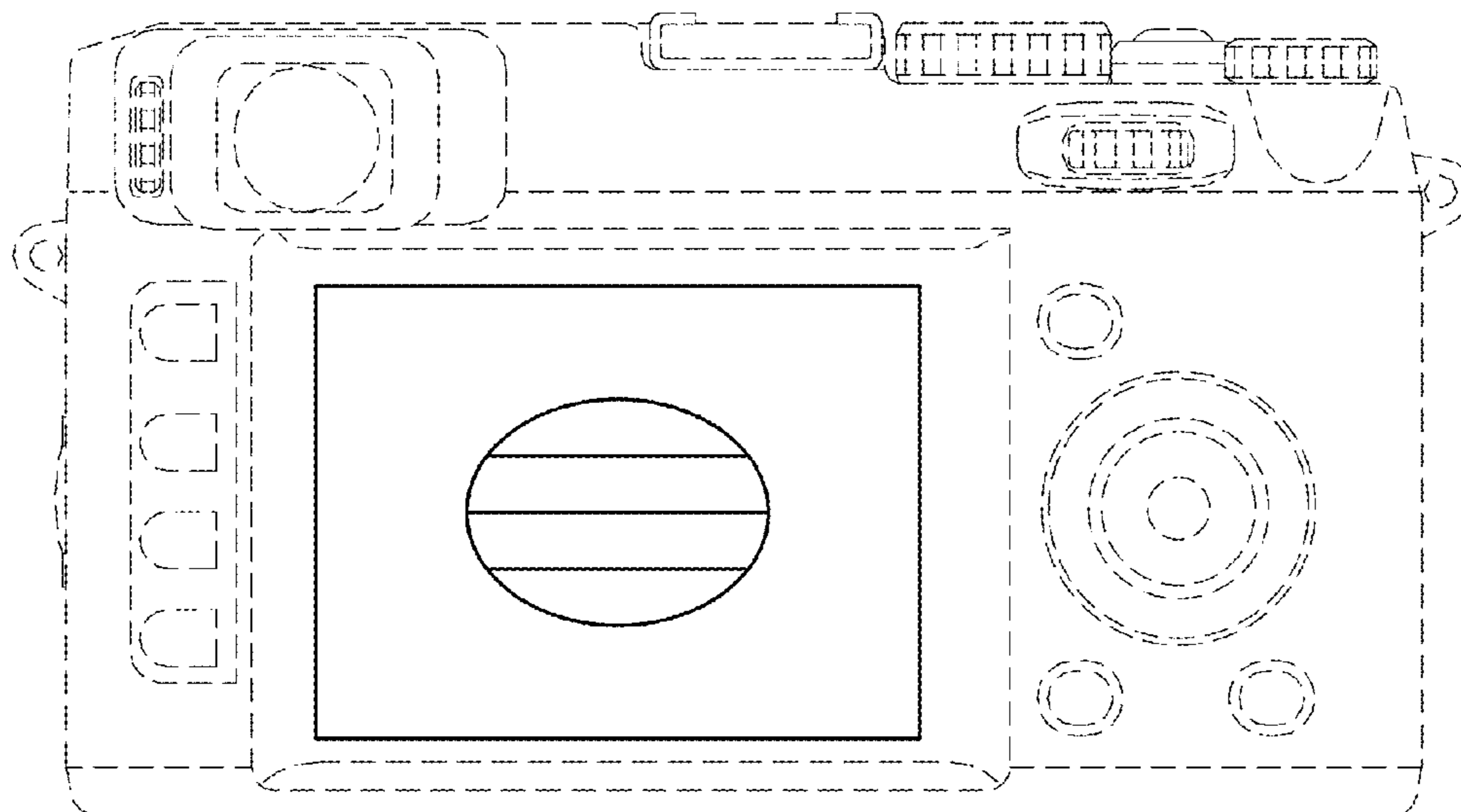
(57) **CLAIM**

The ornamental design for a transitional image for portion of display screen for digital camera, as shown and described.

**DESCRIPTION**

FIG. 1 is a front elevational view of a digital camera having a display screen showing my new design;  
FIG. 2 is a top plan view thereof;  
FIG. 3 is a bottom plan view thereof;  
FIG. 4 is a left side elevational view thereof;  
FIG. 5 is a right side elevational view thereof;  
FIG. 6 is a rear elevational view thereof, showing a display screen;  
FIG. 7 is an enlarged view of the display screen;  
FIG. 8 is a first image of display screen in use; and,  
FIG. 9 is a second image of display screen in use.  
The appearance of image transitions sequentially between the images shown in FIG. 8 and FIG. 9. The process or period in which one image transitions to another image forms no part of the claimed design.  
The portions of the display screen for digital camera in broken lines are shown for illustrative purposes only and form no part of the claimed design.

**1 Claim, 5 Drawing Sheets**



(56)

**References Cited**

U.S. PATENT DOCUMENTS

D714,813 S	*	10/2014	Oda .....	D14/485
D715,828 S	*	10/2014	Aoshima .....	D14/488
D715,829 S	*	10/2014	Aoshima .....	D14/488
D715,830 S	*	10/2014	Aoshima .....	D14/488
D726,742 S	*	4/2015	Aoshima .....	D14/486
D731,539 S	*	6/2015	Omata .....	D14/489
D731,543 S	*	6/2015	Aoshima .....	D14/489
D737,288 S	*	8/2015	Oda .....	D14/485

\* cited by examiner

FIG. 1

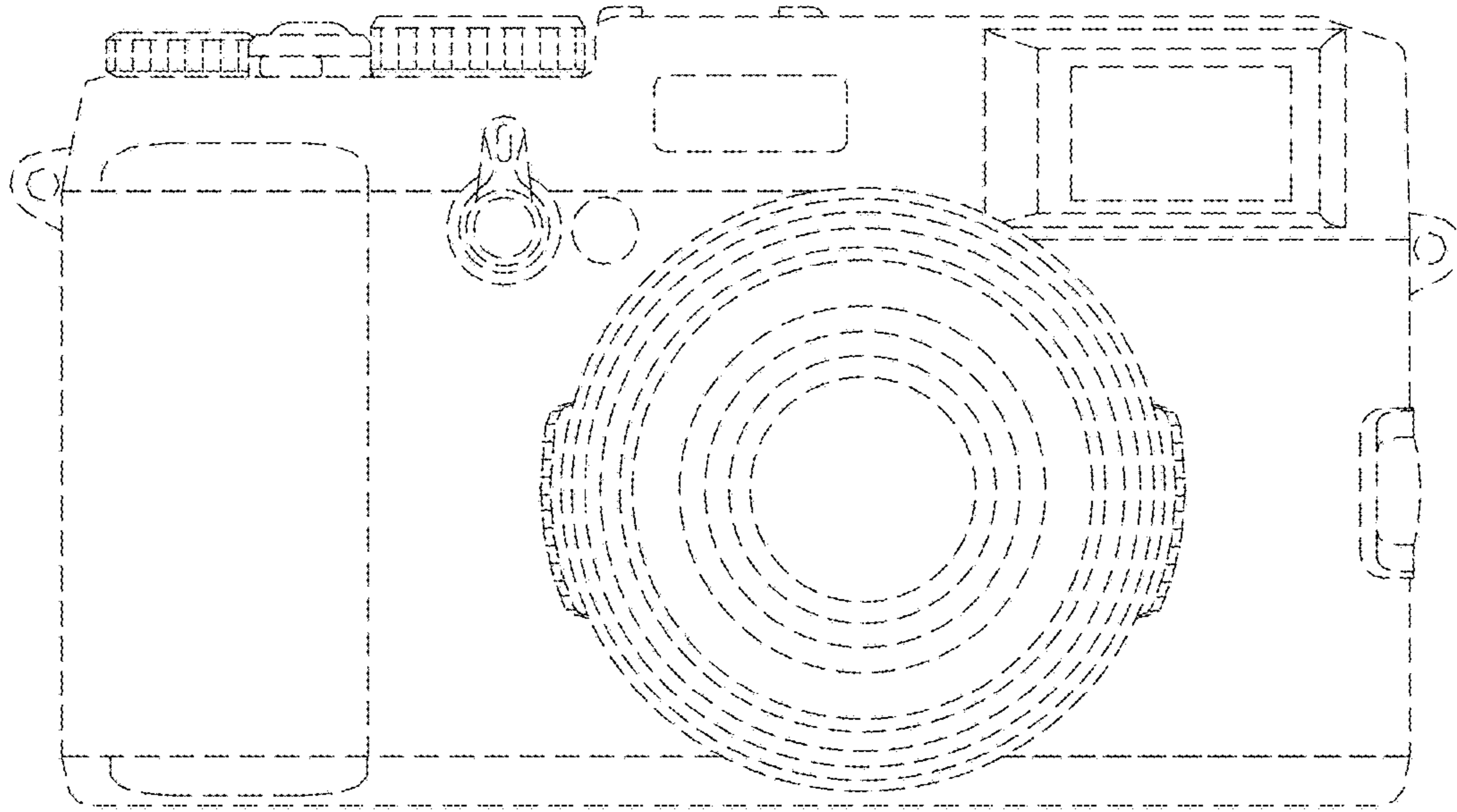


FIG. 2

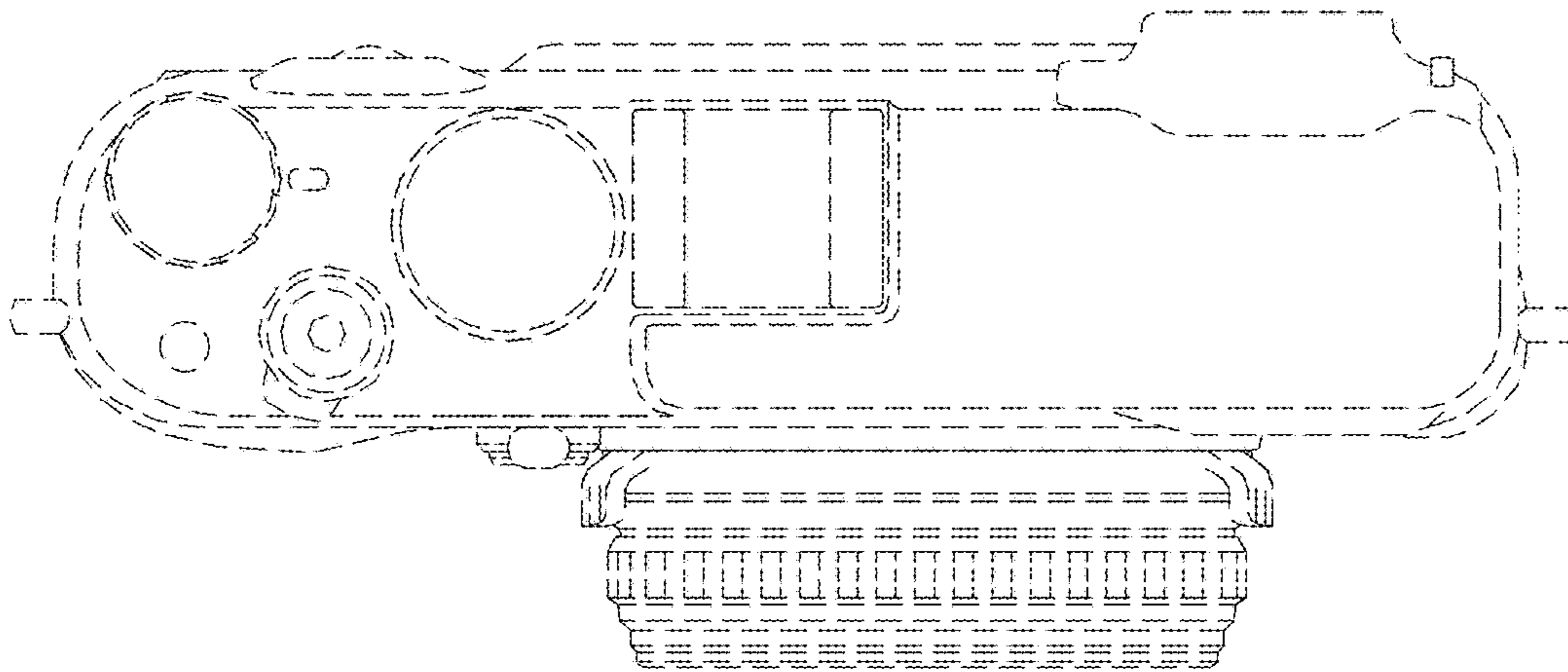


FIG. 3

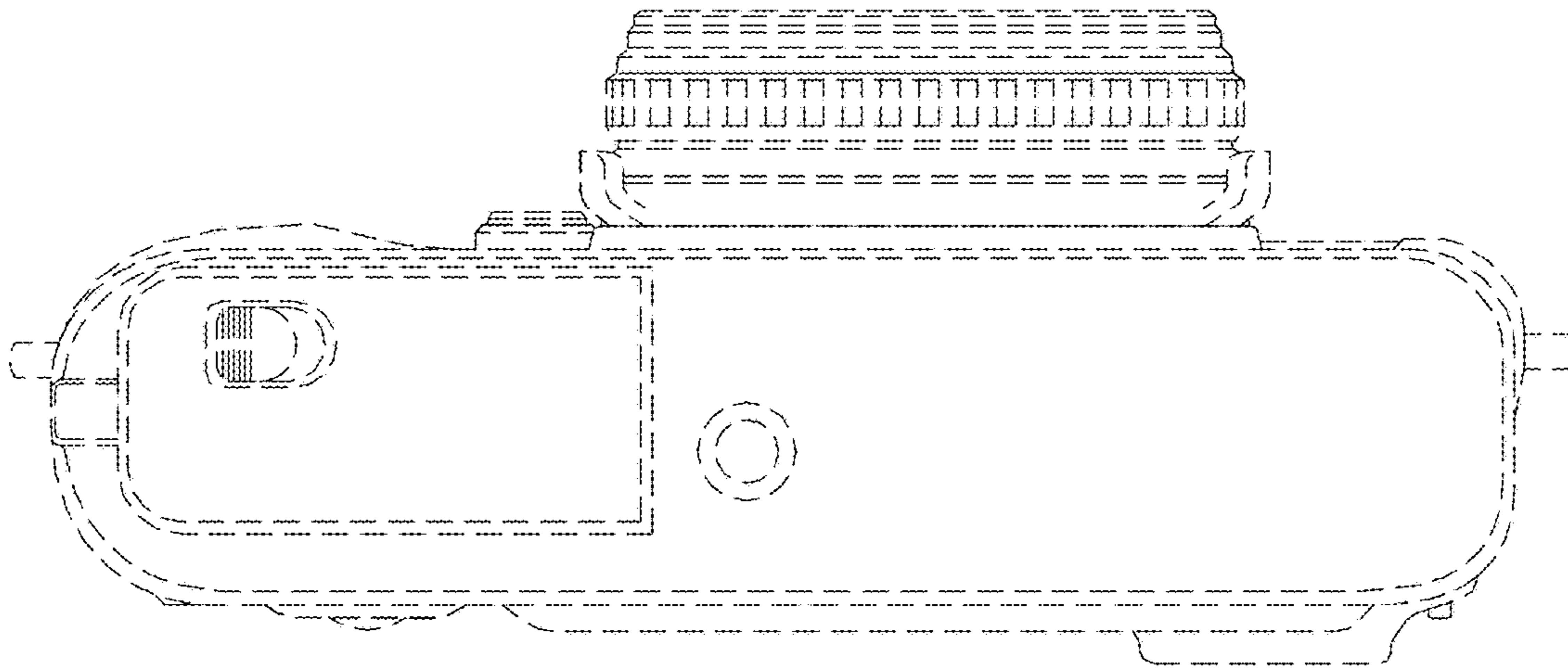


FIG. 4

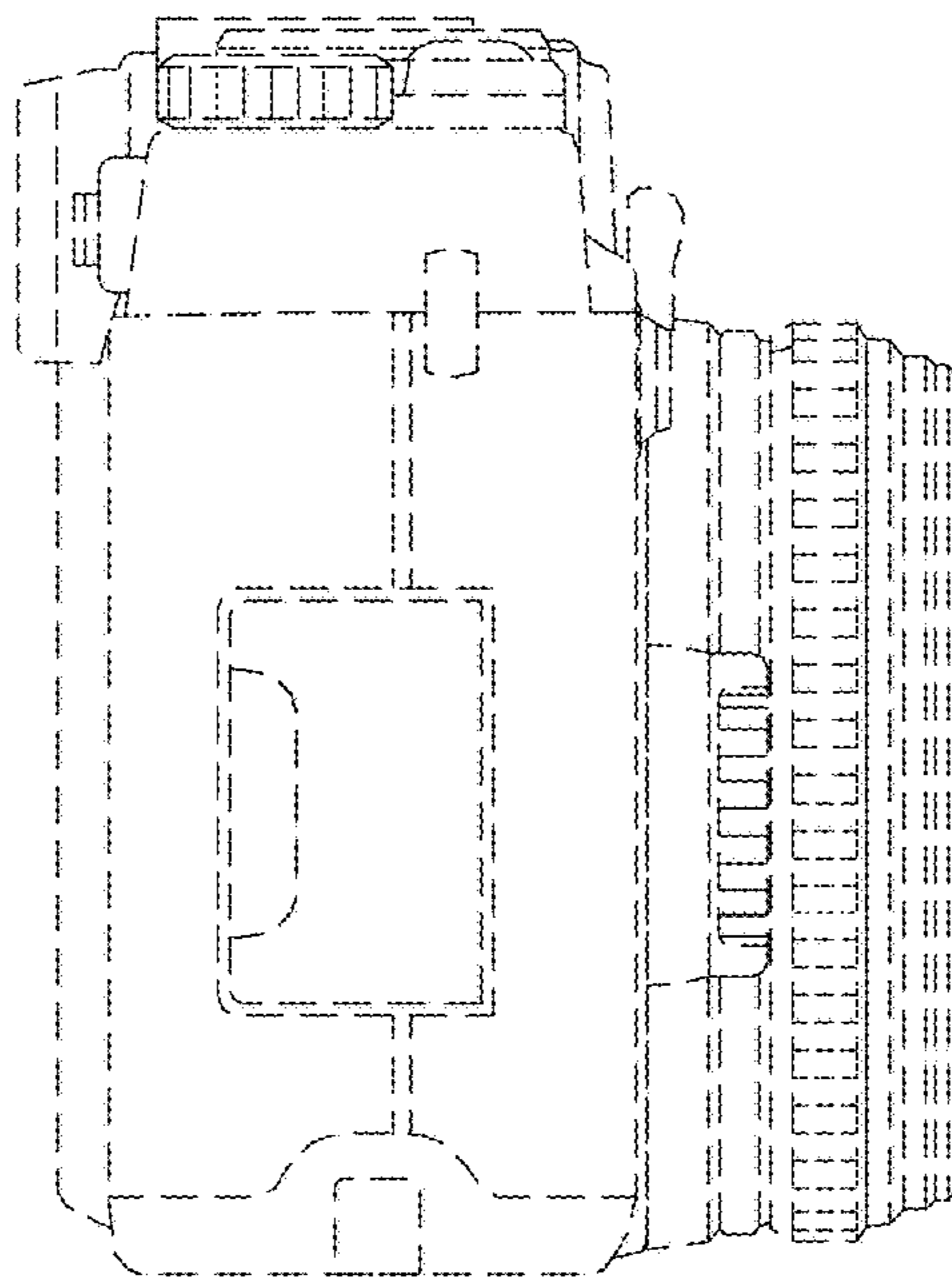


FIG. 5

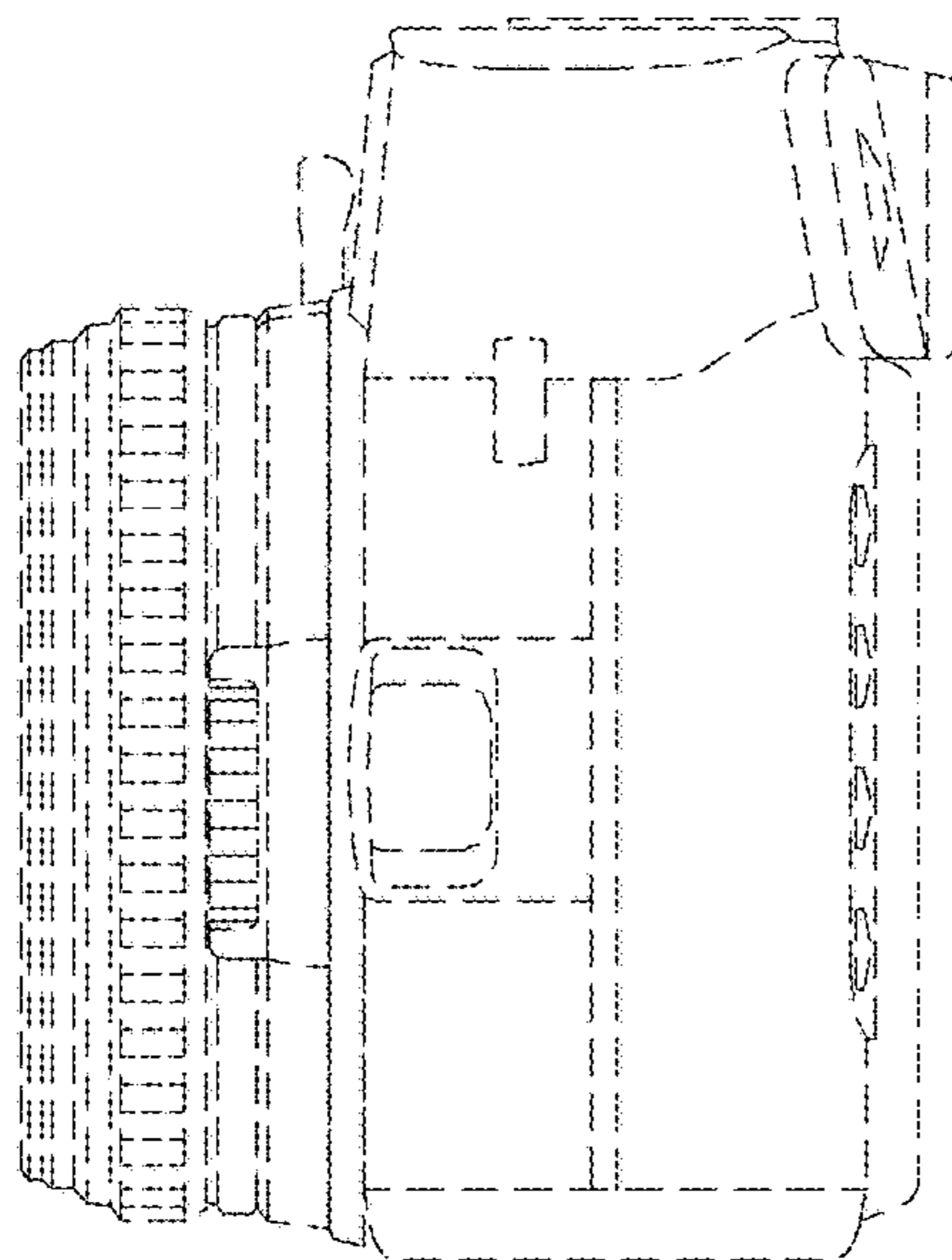


FIG. 6

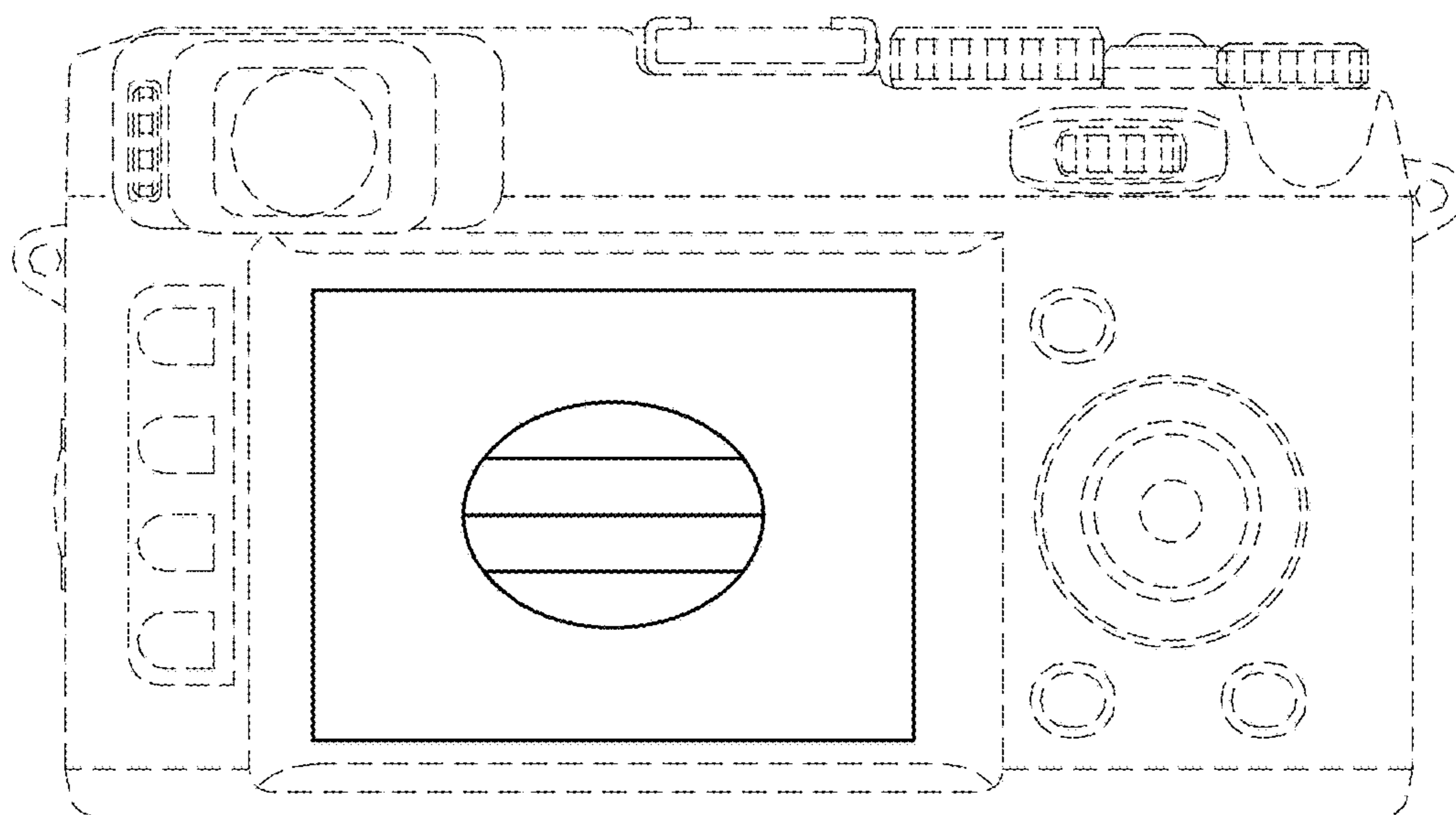


FIG. 7

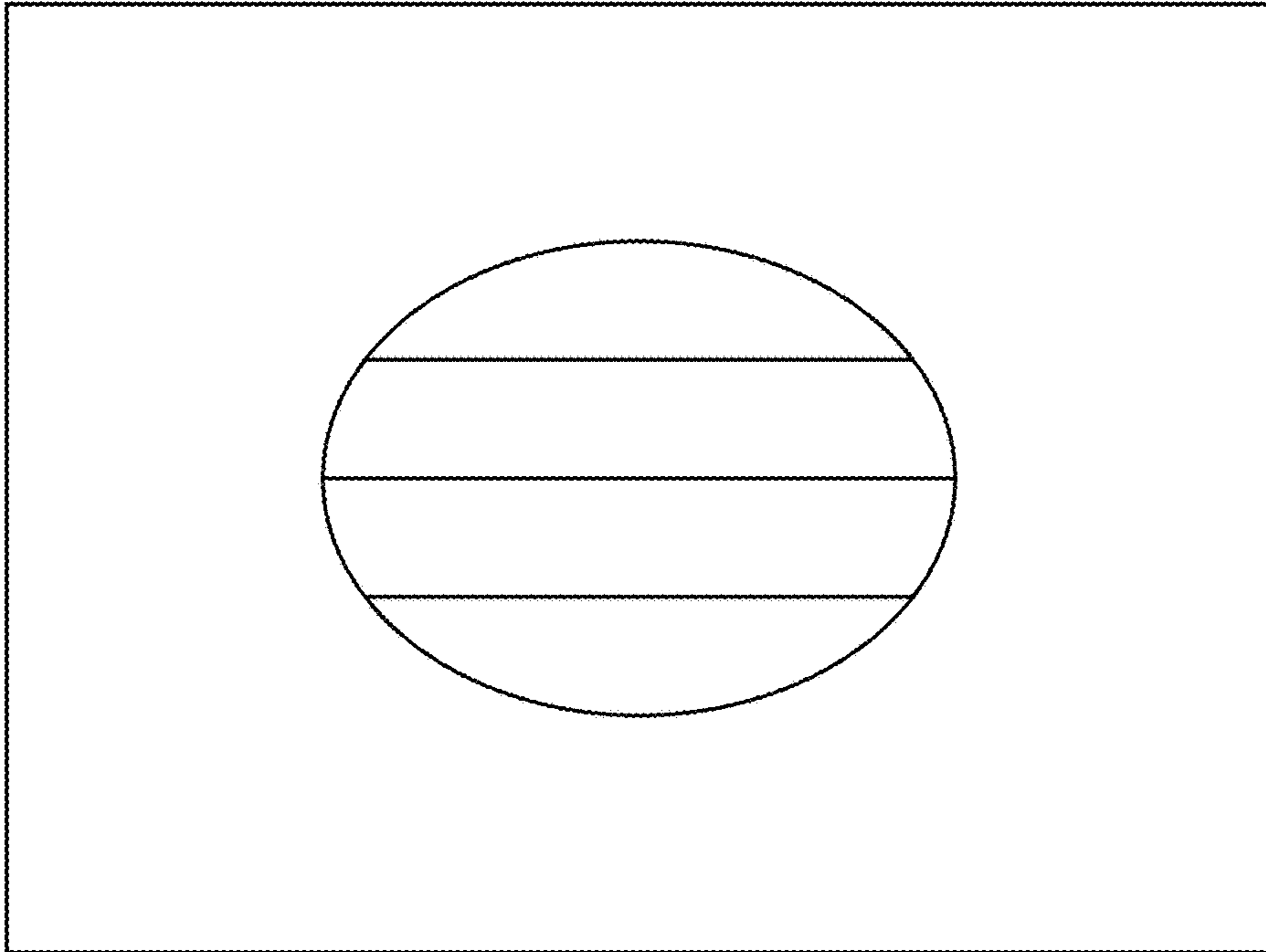


FIG. 8

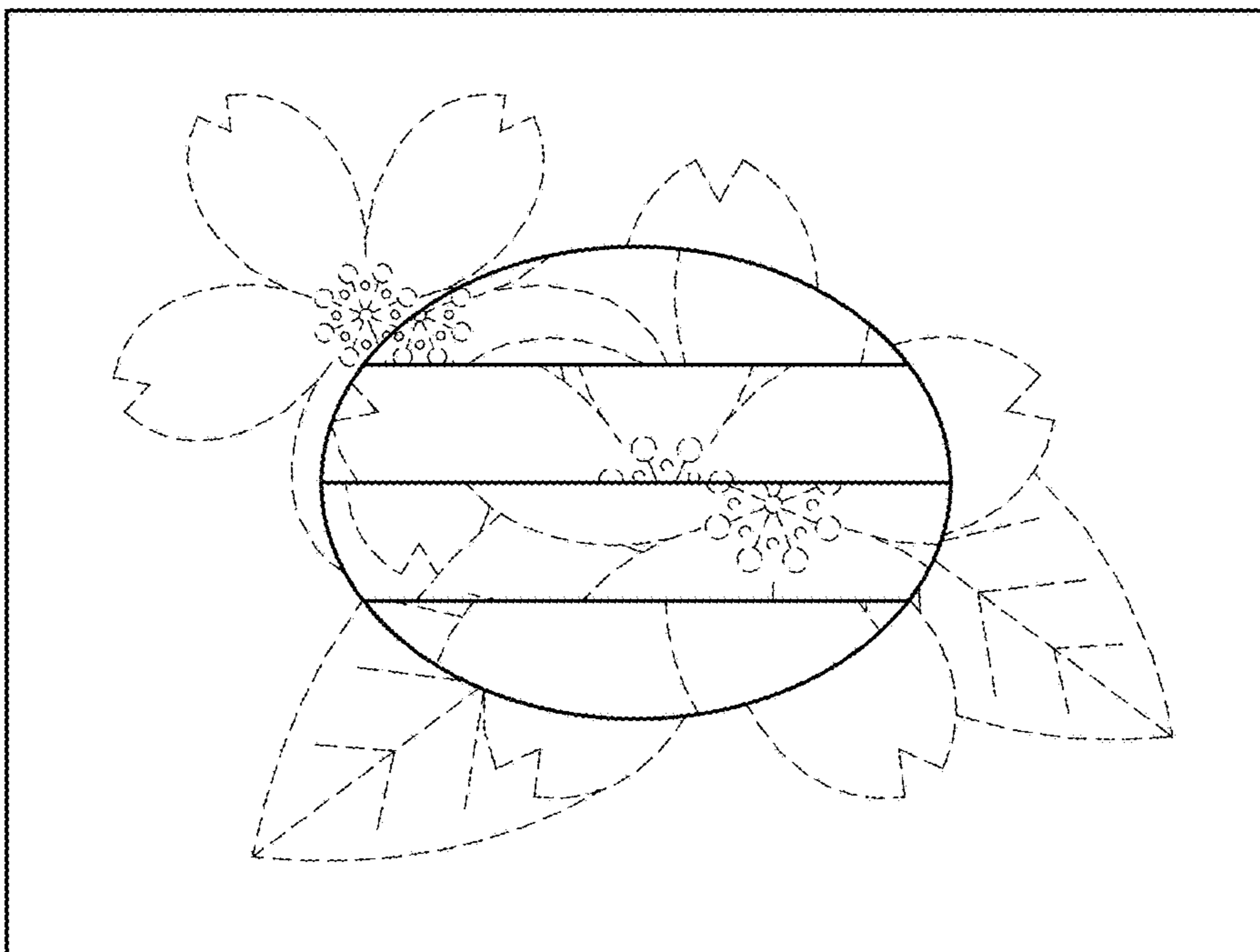


FIG. 9

