



US00D777727S

(12) **United States Design Patent**
Maicon et al.

(10) **Patent No.:** **US D777,727 S**
(45) **Date of Patent:** **** Jan. 31, 2017**

(54) **CASE FOR A TABLET COMPUTER**

(71) Applicants: **James Richard Maicon**, Hosta Valley Court, NC (US); **Kelly Ann Maicon**, Wake Forest, NC (US)

(72) Inventors: **James Richard Maicon**, Hosta Valley Court, NC (US); **Kelly Ann Maicon**, Wake Forest, NC (US)

(**) Term: **14 Years**

(21) Appl. No.: **29/516,105**

(22) Filed: **Jan. 29, 2015**

(51) **LOC (10) Cl.** **14-02**

(52) **U.S. Cl.**
USPC **D14/440**

(58) **Field of Classification Search**
USPC ... D14/250, 440, 447; 206/45.23, 320, 45.2;
361/679.55; 294/25; 224/218
CPC G06F 1/1628; G06F 1/1613; G06F 1/1626;
A47B 23/044
See application file for complete search history.

(56) **References Cited**

U.S. PATENT DOCUMENTS

| | | | | |
|-------------------|---------|--------------|-------|-------------|
| 8,186,514 B2 * | 5/2012 | Bowers | | A45C 7/0095 |
| | | | | 206/320 |
| D668,245 S * | 10/2012 | Bau | | D14/132 |
| D703,656 S * | 4/2014 | Witter | | D14/250 |
| D720,737 S * | 1/2015 | Chen | | D14/250 |
| D727,885 S * | 4/2015 | Requa | | D14/250 |
| 9,295,174 B2 * | 3/2016 | Witter | | H05K 5/03 |
| 2006/0042996 A1 | 3/2006 | Picot et al. | | 296/586 |
| 2010/0089779 A1 * | 4/2010 | Bowers | | A45C 7/0095 |
| | | | | 206/320 |
| 2014/0048441 A1 | 2/2014 | Tages et al. | | 206/521 |

OTHER PUBLICATIONS

“Drop Tech Case for iPad Mini,” [http://www.gumdropcases.com/device/ipads/ipad-mini-cases/dr . . .](http://www.gumdropcases.com/device/ipads/ipad-mini-cases/dr...) retrieved from the internet Oct. 21, 2014.

“Rok Form,” iPad Mini (Non-Retina) Custom Case, <http://www.rokform.com/ipad-mini-custom-case/> retrieved from the internet Oct. 21, 2014.

“Tank Waterproof iPad Case,” Moxiware, <http://www.moxiware.com/collections/ipad-waterproof-cases/pr> retrieved from the internet Oct. 21, 2014.

“Top 5 Best Protective iPad 2 Cases Guide,” Griffin Survivor, [http://www.gagetmac.com/reviews/top-5-best-protective-ipad—retrieved](http://www.gagetmac.com/reviews/top-5-best-protective-ipad-retrieved) from the internet Oct. 21, 2014.

“iPad Air Shock and Drop Proof Kids Case . . . ” Amazon.com: Snugg Kids iPad Air Case in Blue with Lifetime . . . <http://www.amazon.com/dp-B00L2DQCG0?psc=1>, retrieved from the internet Oct. 21, 2014.

* cited by examiner

Primary Examiner — Cynthia Underwood
(74) *Attorney, Agent, or Firm* — MacCord Mason PLLC

(57) **CLAIM**

The ornamental design for a case for a tablet computer, as shown and described.

DESCRIPTION

FIG. 1 is a front perspective view of a case for a tablet computer showing my new design;

FIG. 2 is a top view;

FIG. 3 is a bottom view;

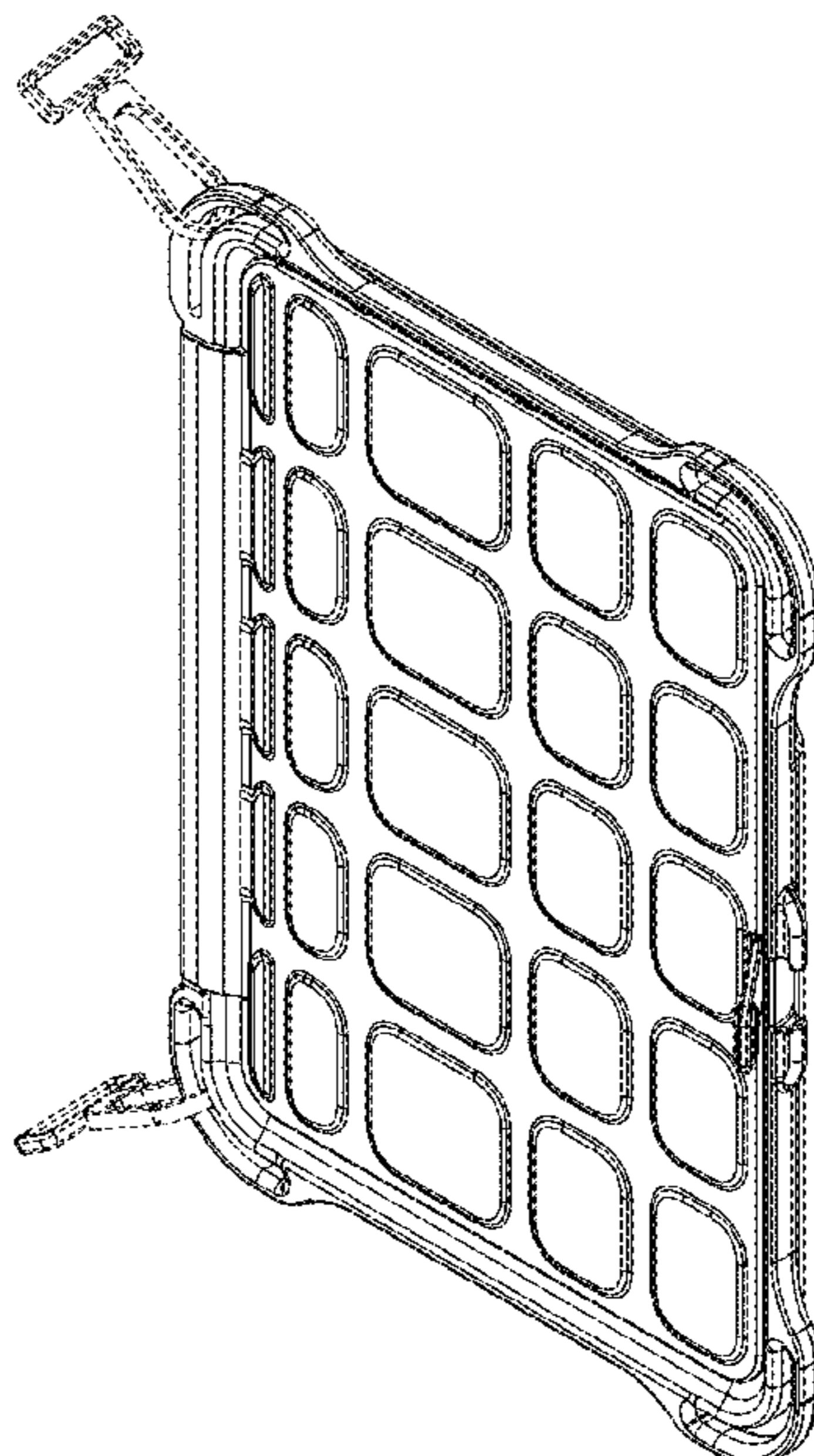
FIG. 4 is a front side view;

FIG. 5 is a rear side view; and,

FIG. 6 is a right side view, the left side view being a mirror image.

The broken lines represent environment and form no part of the claim.

1 Claim, 6 Drawing Sheets



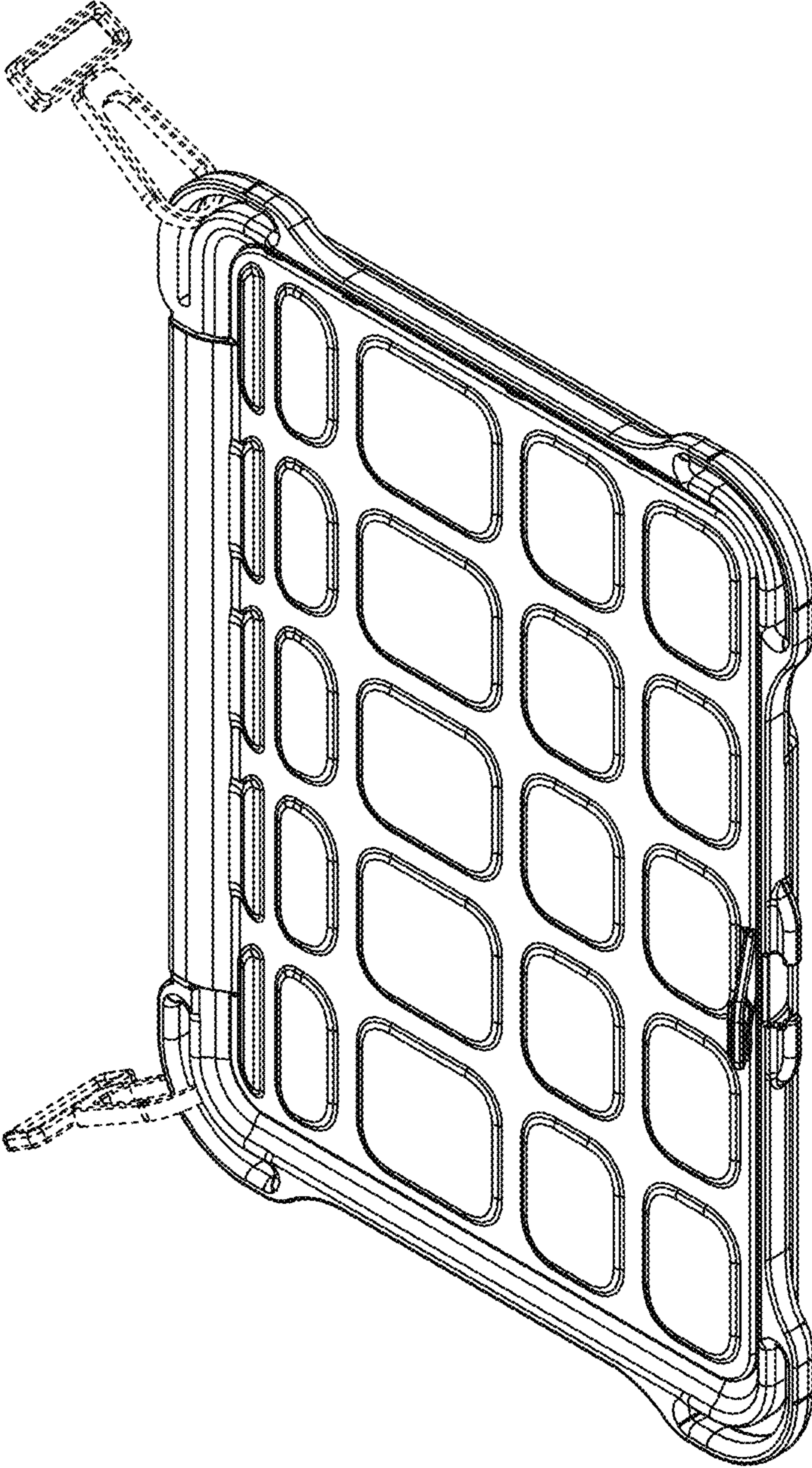


FIG. 1

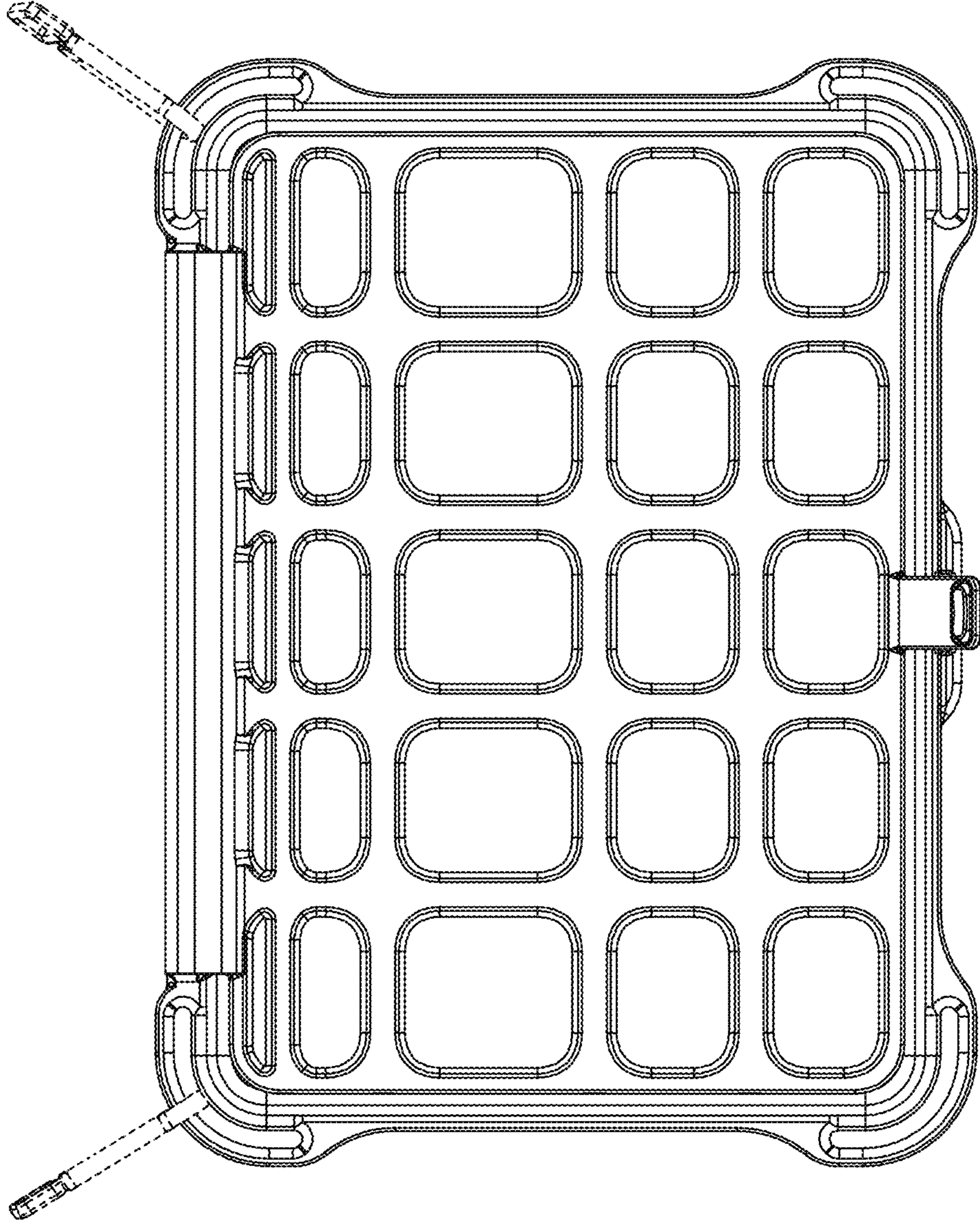


FIG. 2

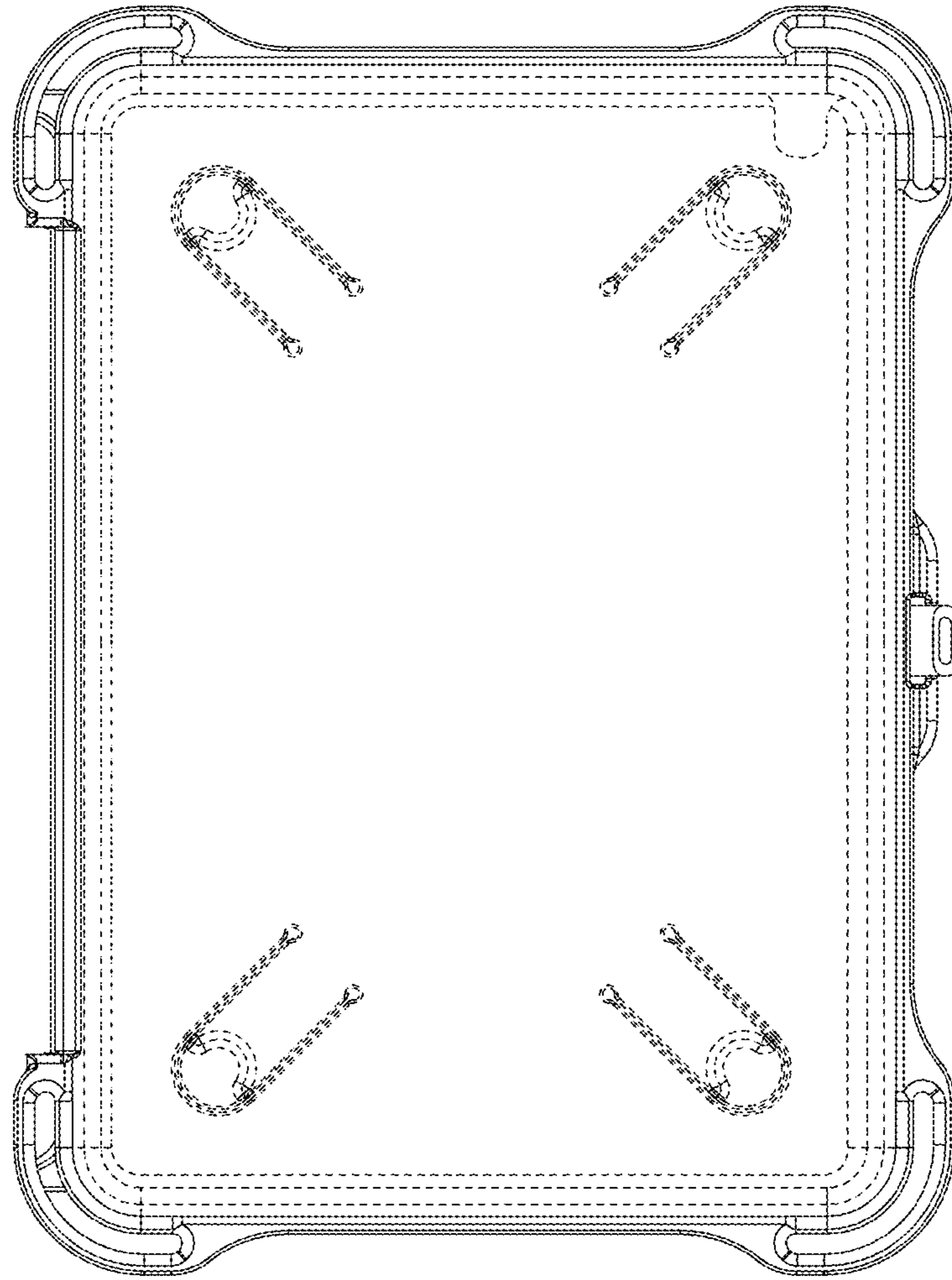


FIG. 3

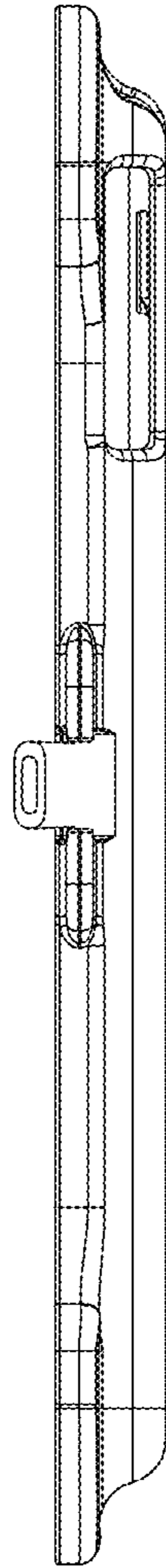


FIG. 4

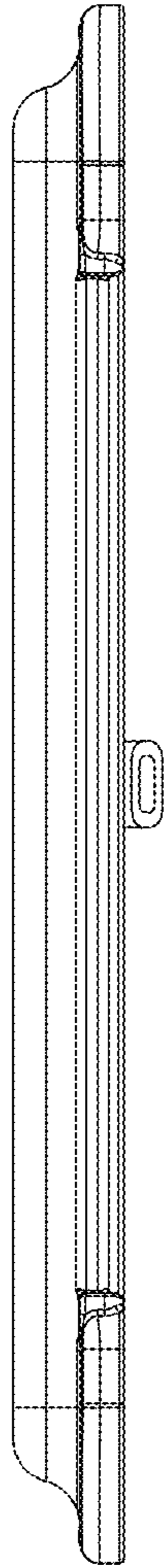


FIG. 5

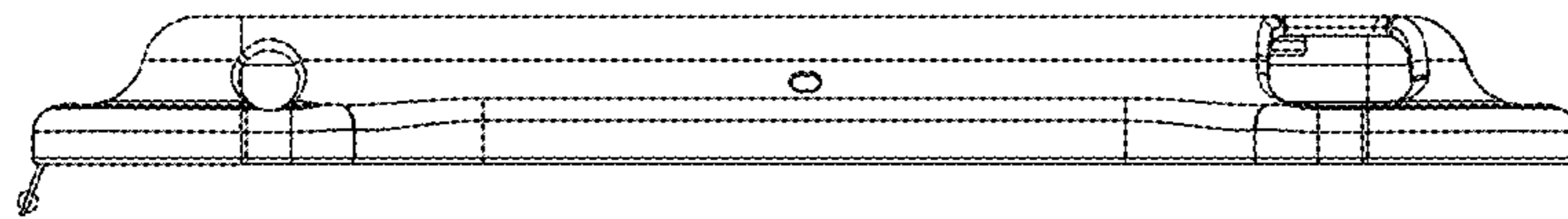


FIG. 6