



US00D777726S

(12) **United States Design Patent**  
**Nishizawa**

(10) **Patent No.:** **US D777,726 S**  
(45) **Date of Patent:** **\*\* Jan. 31, 2017**

(54) **STYLUS PEN**

(71) Applicant: **Wacom Co., Ltd.**, Kazo-shi, Saitama (JP)

(72) Inventor: **Naoya Nishizawa**, Setagaya-ku (JP)

(73) Assignee: **Wacom Co., Ltd.**, Kazo-shi (JP)

(\*\*) Term: **15 Years**

(21) Appl. No.: **29/552,674**

(22) Filed: **Jan. 25, 2016**

(30) **Foreign Application Priority Data**

Aug. 7, 2015 (JP) ..... 2015-017602

(51) **LOC (10) Cl.** ..... **14-02**

(52) **U.S. Cl.**  
USPC ..... **D14/411**

(58) **Field of Classification Search**

USPC ..... D14/372, 496, 432, 371, 125, 126, 129,  
D14/299, 411; D16/300-342; 351/158,  
351/153, 144; 345/7-9, 905; 455/344;  
348/115, 53, 121, 739

CPC ..... G02B 27/017; G06F 3/016; G06F 3/033;  
G06F 3/0317; G06F 3/03545; G06F  
3/041; G06K 9/222

See application file for complete search history.

(56) **References Cited**

**U.S. PATENT DOCUMENTS**

D655,292 S \* 3/2012 Nakata ..... D14/411  
D669,896 S \* 10/2012 Nakata ..... D14/411

D669,897 S \* 10/2012 Nakata ..... D14/411  
D670,289 S \* 11/2012 Bae ..... D14/411  
D684,578 S \* 6/2013 Son ..... D14/411  
D694,326 S \* 11/2013 Cambianica ..... D19/173  
D708,617 S \* 7/2014 Nakata ..... D14/411  
D717,301 S \* 11/2014 Groene ..... D14/411  
D717,798 S \* 11/2014 Groene ..... D14/411  
D736,317 S \* 8/2015 Miller ..... D19/173  
D754,661 S \* 4/2016 Nishizawa ..... D14/411  
D757,852 S \* 5/2016 Bonacina ..... D19/197  
D768,133 S \* 10/2016 Reed ..... D14/411

\* cited by examiner

*Primary Examiner* — Austin Murphy

(74) *Attorney, Agent, or Firm* — Christensen O'Connor Johnson Kindness PLLC

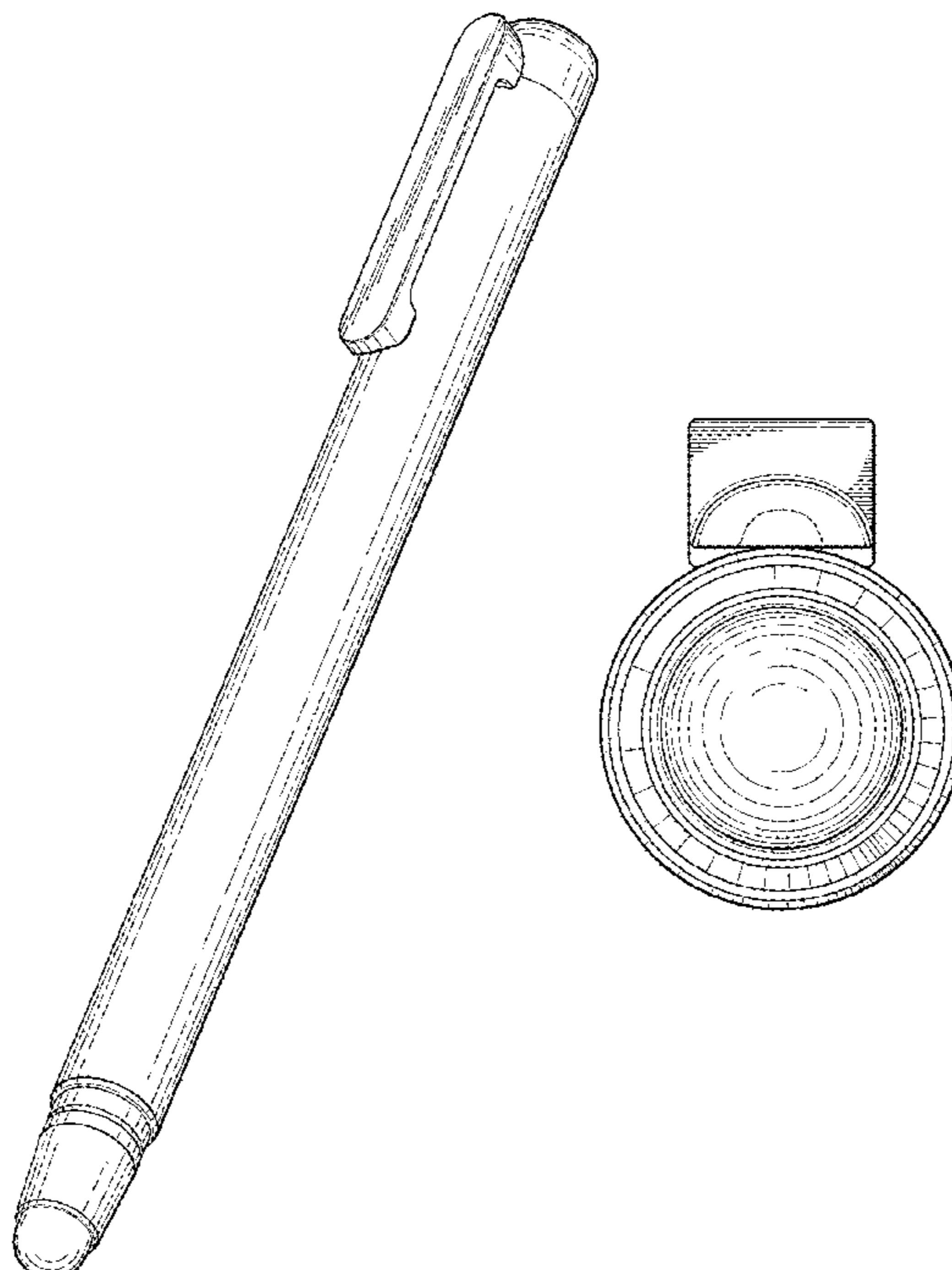
(57) **CLAIM**

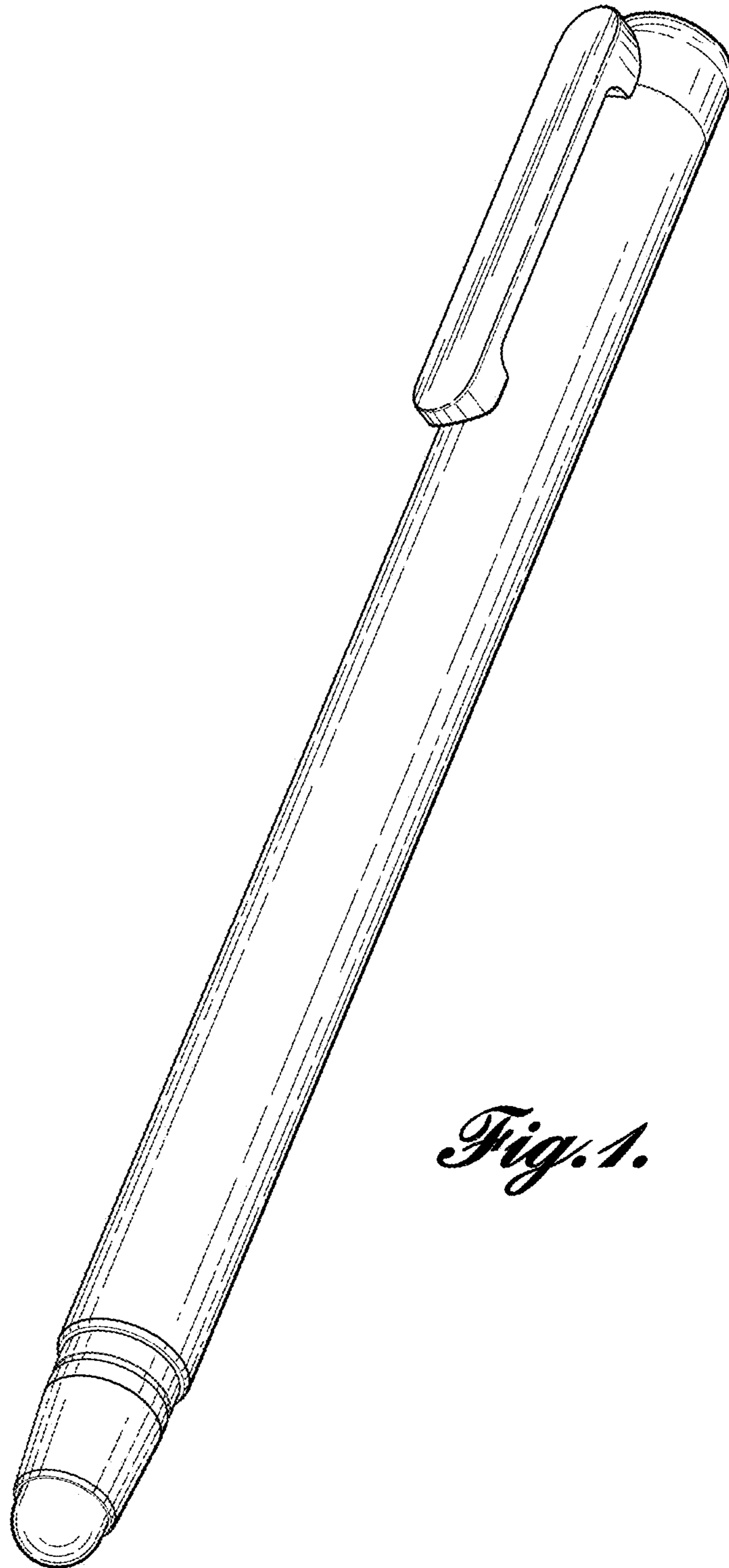
The ornamental design for a stylus pen, as shown and described.

**DESCRIPTION**

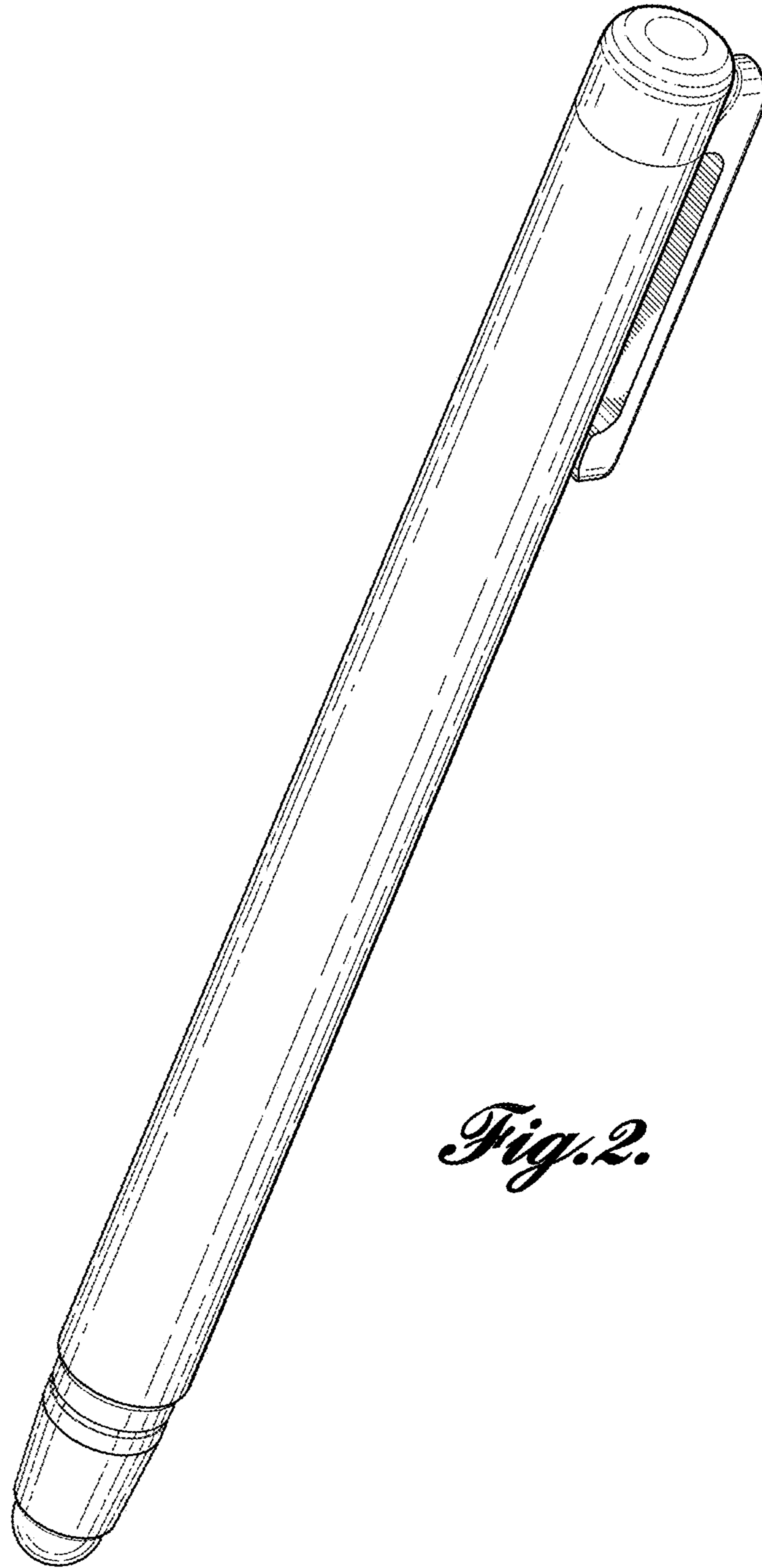
FIG. 1 is a front perspective view of a stylus pen according to a first embodiment of my new design;  
FIG. 2 is a back perspective view thereof;  
FIG. 3 is a side view thereof, the side opposite of the side shown in FIG. 3 being a mirror thereof and therefore not shown;  
FIG. 4 is a front view thereof;  
FIG. 5 is a rear view thereof;  
FIG. 6 is a top view thereof; and,  
FIG. 7 is a bottom view thereof.  
The broken lines show portions of the stylus pen which form no part of the claimed design.

**1 Claim, 4 Drawing Sheets**

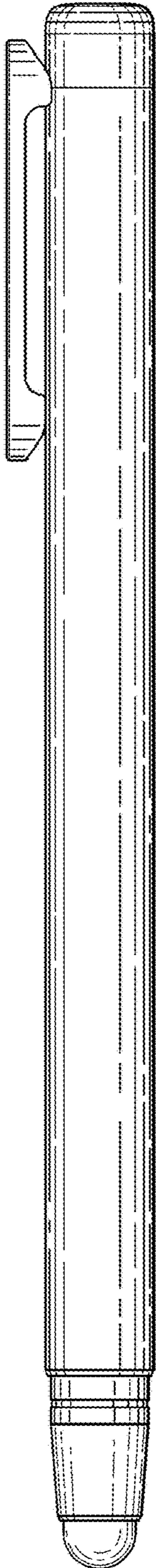




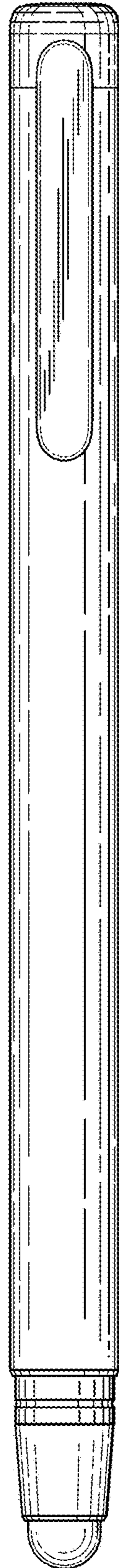
*Fig. 1.*



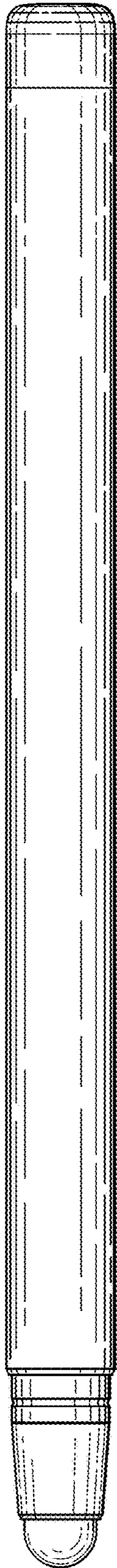
*Fig. 2.*



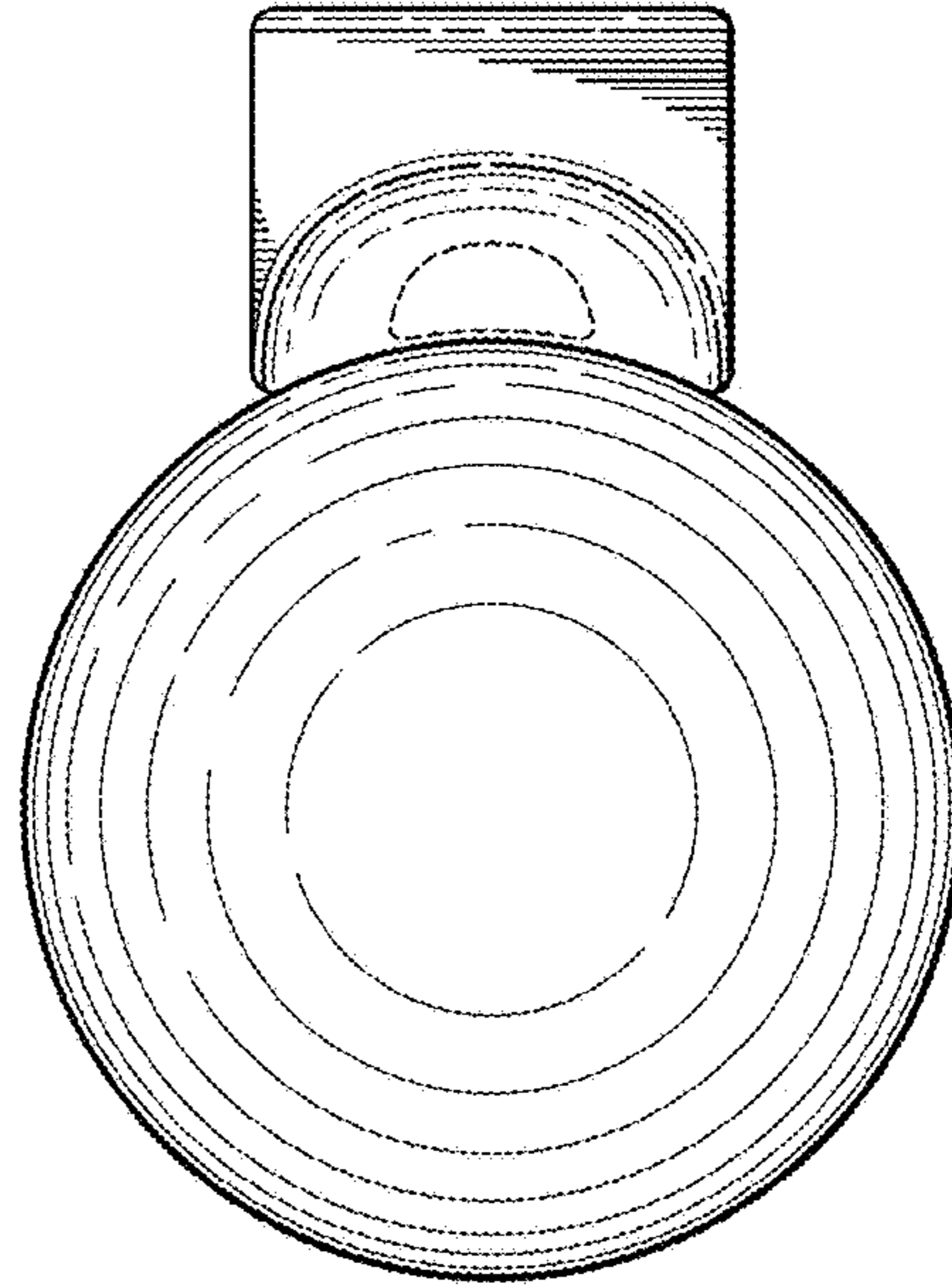
*Fig. 3.*



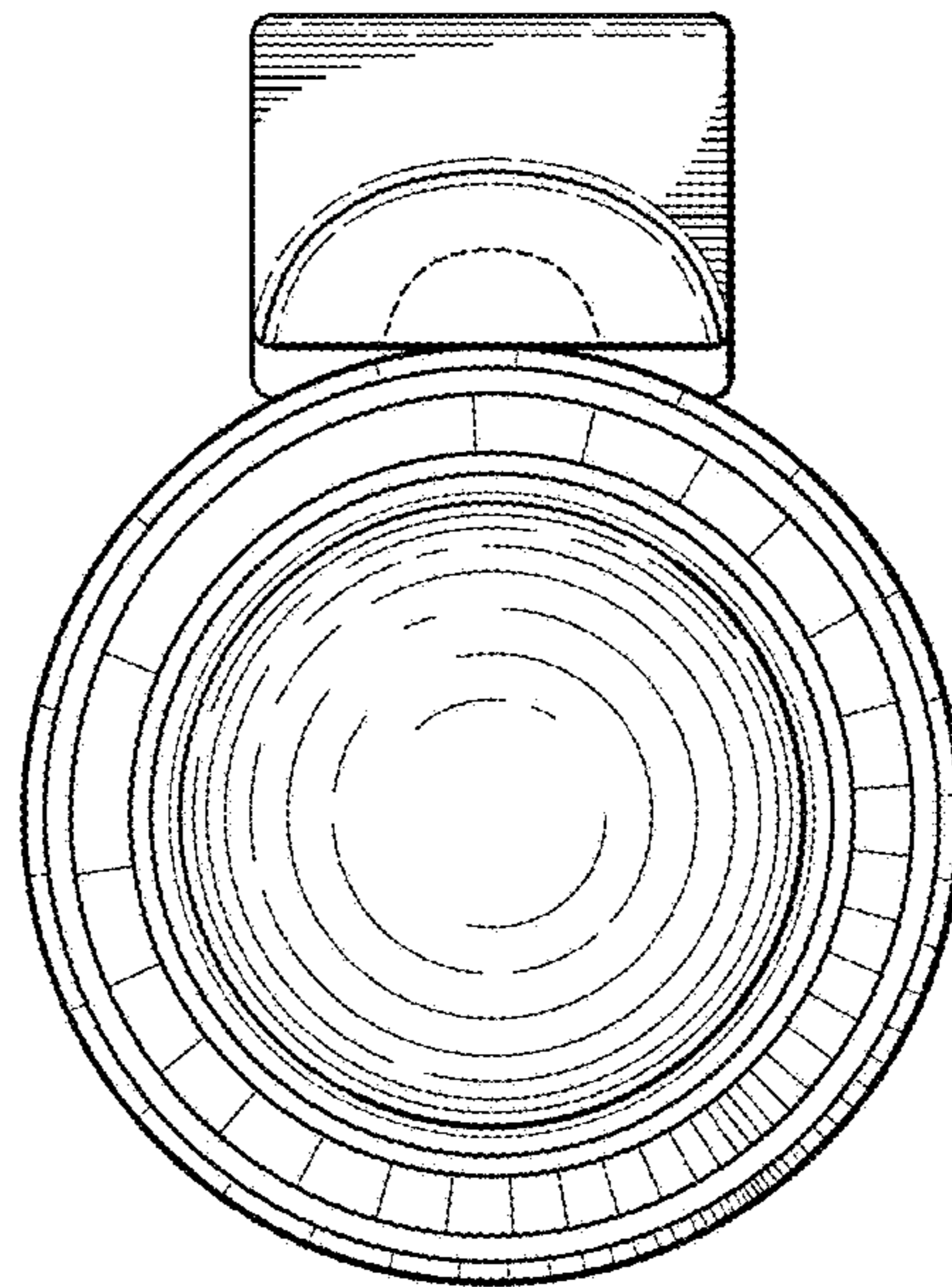
*Fig. 4.*



*Fig. 5.*



*Fig. 6.*



*Fig. 7.*