



US00D777725S

(12) **United States Design Patent** (10) **Patent No.:** **US D777,725 S**
Peng et al. (45) **Date of Patent:** **** Jan. 31, 2017**

- (54) **STORAGE DRIVE**
- (71) Applicant: **Western Digital Technologies, Inc.**, Irvine, CA (US)
- (72) Inventors: **Steven T. Peng**, Irvine, CA (US); **Takashi Kono**, Monterey Park, CA (US)
- (73) Assignee: **Western Digital Technologies, Inc.**, Irvine, CA (US)
- (**) Term: **14 Years**
- (21) Appl. No.: **29/507,644**
- (22) Filed: **Oct. 29, 2014**

Related U.S. Application Data

- (63) Continuation-in-part of application No. 29/493,635, filed on Jun. 11, 2014, now Pat. No. Des. 758,366.
- (51) **LOC (10) Cl.** **14-02**
- (52) **U.S. Cl.**
USPC **D14/367**
- (58) **Field of Classification Search**
USPC D14/300-302, 314, 348-370, 383-385, D14/435, 496, 125, 135, 155, 240-242, D14/299; D3/273; D9/432; D10/65, 75, D10/78; D13/103, 119, 162, 184, 199
CPC ... G11B 33/027; G11B 33/122; G11B 33/124; G11B 33/022; G11B 33/025
See application file for complete search history.

(56) **References Cited**

U.S. PATENT DOCUMENTS

D263,561 S *	3/1982	Wong	D3/295
D385,787 S *	11/1997	Takano et al.	D9/432
D390,781 S *	2/1998	Neusy	D9/422
D397,033 S *	8/1998	Puglisi	D9/432
D587,267 S *	2/2009	Wang	D14/356
D621,282 S	8/2010	Yagi		

D641,363 S	7/2011	Dublin		
8,462,460 B1 *	6/2013	Szeremeta et al.	360/97.19
D707,667 S	6/2014	Kono et al.		
D713,786 S *	9/2014	Wen	D13/108
D724,036 S *	3/2015	Cha et al.	D13/162
D725,592 S *	3/2015	Tsai	D13/108
D728,467 S *	5/2015	Hasbrook	D13/103
2006/0002067 A1 *	1/2006	Gunderson et al.	361/683

(Continued)

OTHER PUBLICATIONS

WD My Passport Ultra Metal Edition 2TB USB 3.0 2.5", [Online] Newegg.com <url: <http://www.newegg.com/Product/Product.aspx?Item=N82E16822236781>> (accessed Aug. 4, 2015).*

(Continued)

Primary Examiner — Rosemary K Tarcza
Assistant Examiner — Nathaniel D Buckner

(74) *Attorney, Agent, or Firm* — Knobbe, Martens, Olson & Bear, LLP

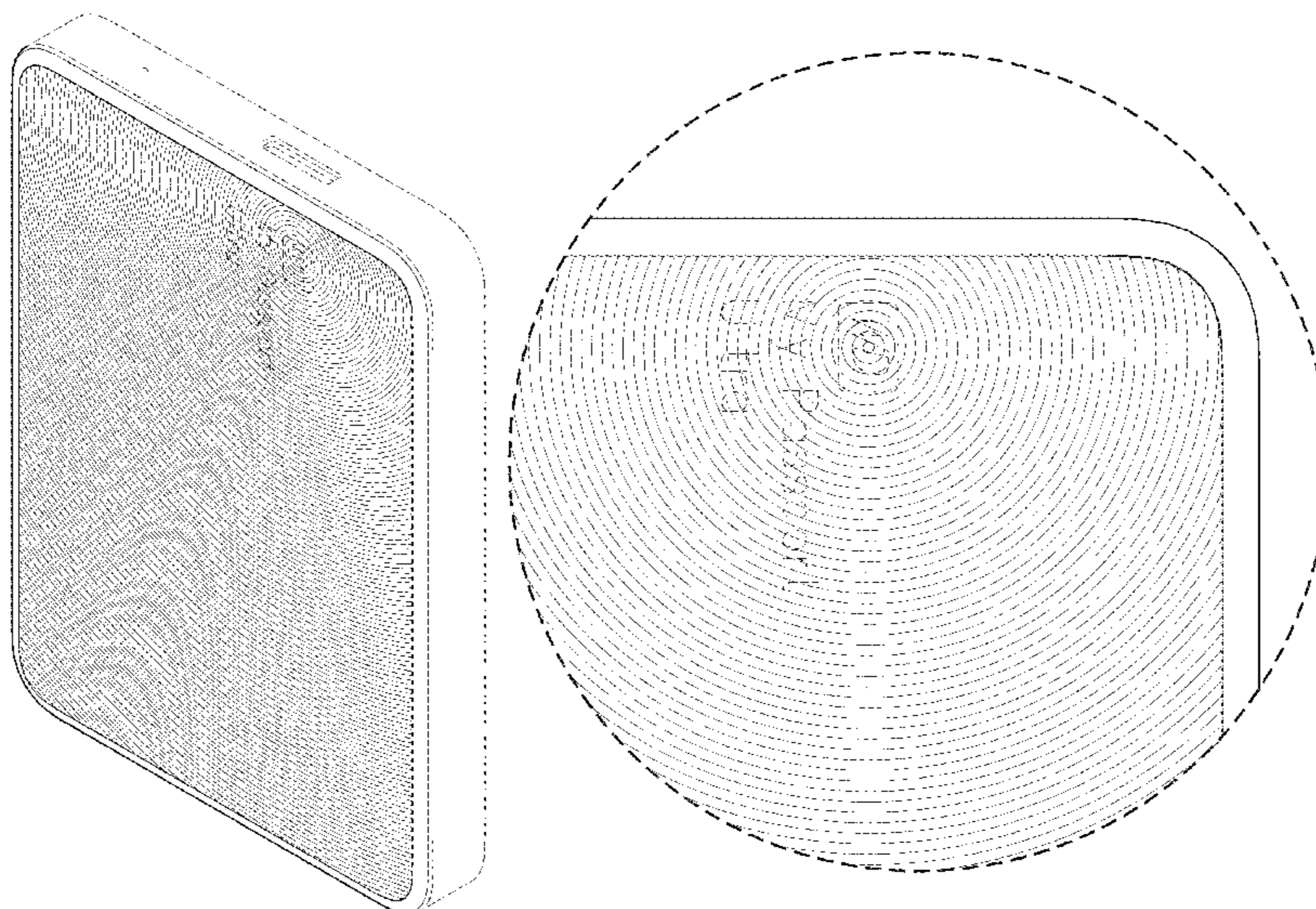
(57) **CLAIM**

The ornamental design for a storage drive, as shown and described.

DESCRIPTION

FIG. 1 is a top, front and side perspective view of a storage drive embodying the new design.
 FIG. 2 is a top view thereof.
 FIG. 3 is a detail view of the top view taken along line 3-3 of FIG. 2.
 FIG. 4 is a bottom view thereof.
 FIG. 5 is a back view thereof.
 FIG. 6 is a front view thereof.
 FIG. 7 is a first side view thereof; and,
 FIG. 8 is a second side view thereof.
 Broken lines are used to illustrate features of the storage drive which form no part of the claimed design. The broken line 3-3 in FIG. 2 forms no part of the claimed design.

1 Claim, 5 Drawing Sheets



(56)

References Cited

U.S. PATENT DOCUMENTS

2013/0265711 A1* 10/2013 Chen 361/679.36
2013/0280940 A1* 10/2013 Pai et al. 439/345

OTHER PUBLICATIONS

Steven Tzu-Yen Peng, et al., U.S. Appl. No. 29/493,635, filed Jun. 11, 2014, 9 pages.

Western Digital, "Western Digital My Passport for Mac Review (1TB)", <http://www.storagereview.com>, dated Sep. 22, 2011, downloaded Aug. 27, 2013, 4 pages.

Western Digital, "WD My Passport Edge External Hard Drive Review", <http://hothardware.com>, dated Dec. 6, 2012, downloaded on Aug. 27, 2013, 12 pages.

Steven T. Peng, et al., U.S. Appl. No. 29/465,452, filed Aug. 28, 2013, 11 pages.

Toshiba Keeps Backup Simple with Canvio Basics Portable Hard Drive, Web Archive [online] dated Sep. 22, 2010, screenshot Oct. 9, 2010 [retrieved on Feb. 20, 2013]. Retrived from the Internet <URL: <http://web.archive.org/web/20101009043847/http://hothardware.com/News/Toshiba-Keeps-Backup-Simple-with-Canvio-Basics-Portable-Hard-Drive/>>.

GoFlex Turbo_Seagate [online] screenshot Nov. 22, 1011, [restrived 908/24/2015], <URL:<http://www.seagate.com/www/en-us/products/external/external-hard-drive/goflex-turbo/>>.

Office Action dated Aug. 31, 2015 from U.S. Appl. No. 29/493,635, 17 pages.

* cited by examiner



FIG. 1

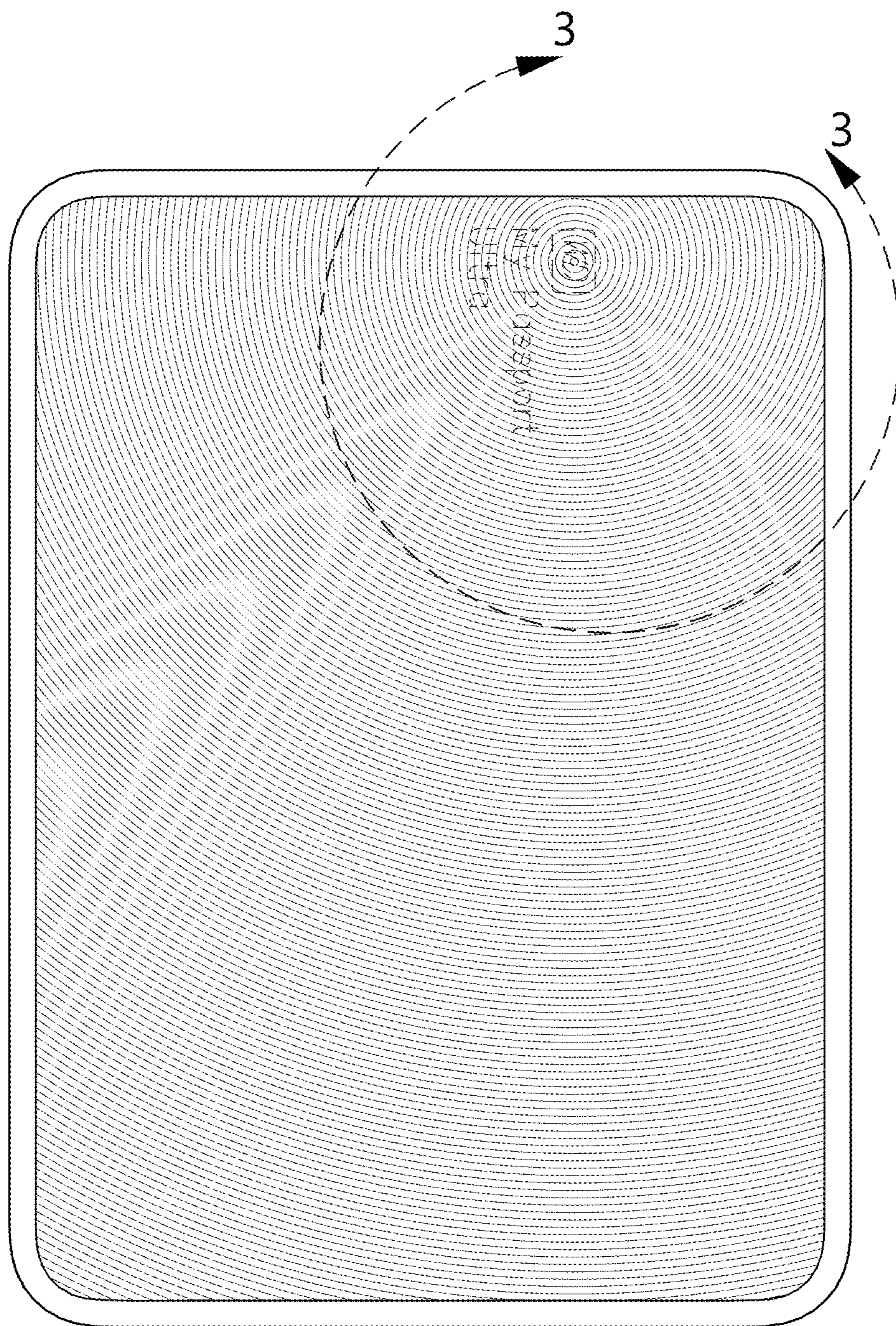


FIG. 2

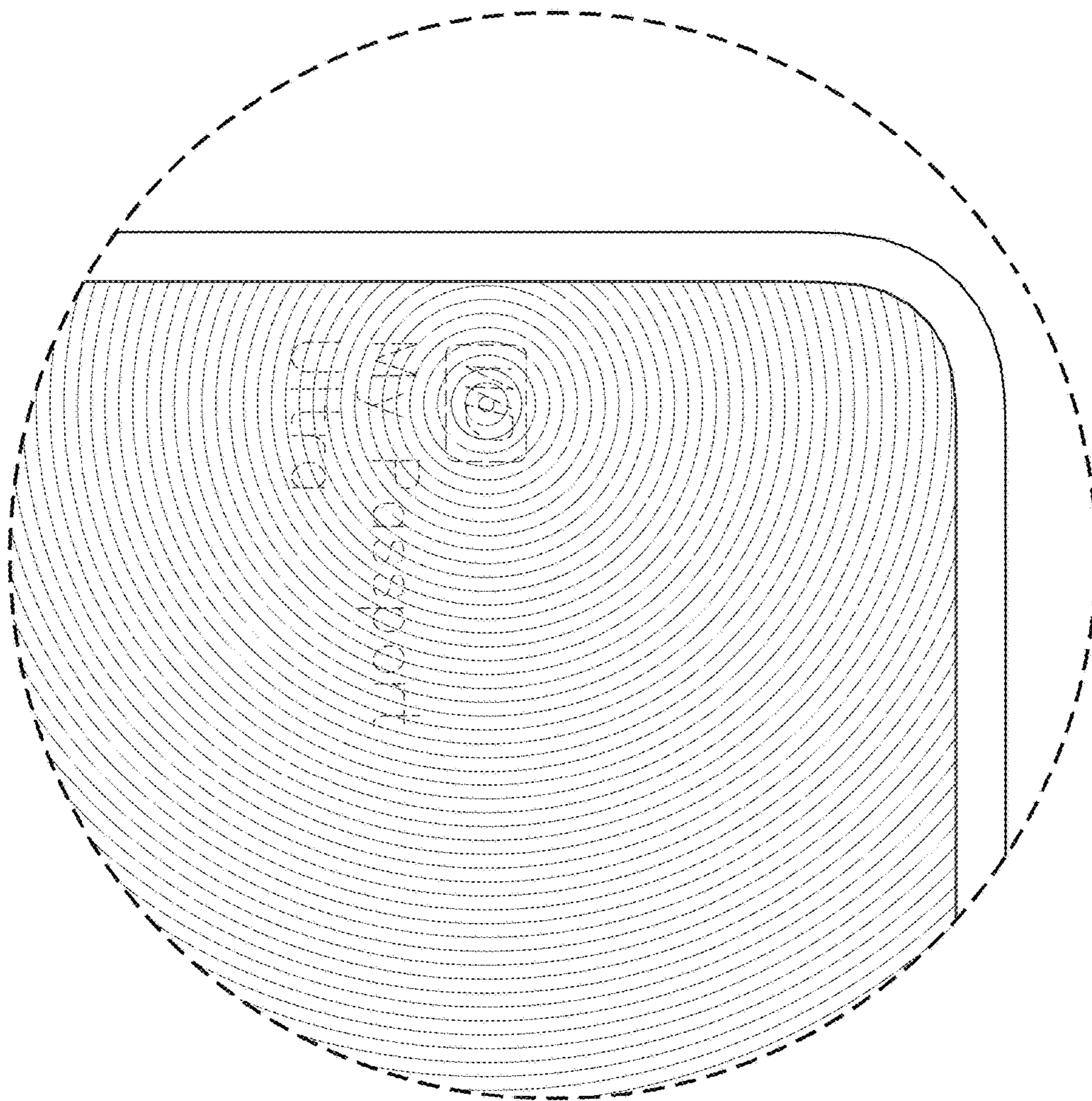


FIG. 3

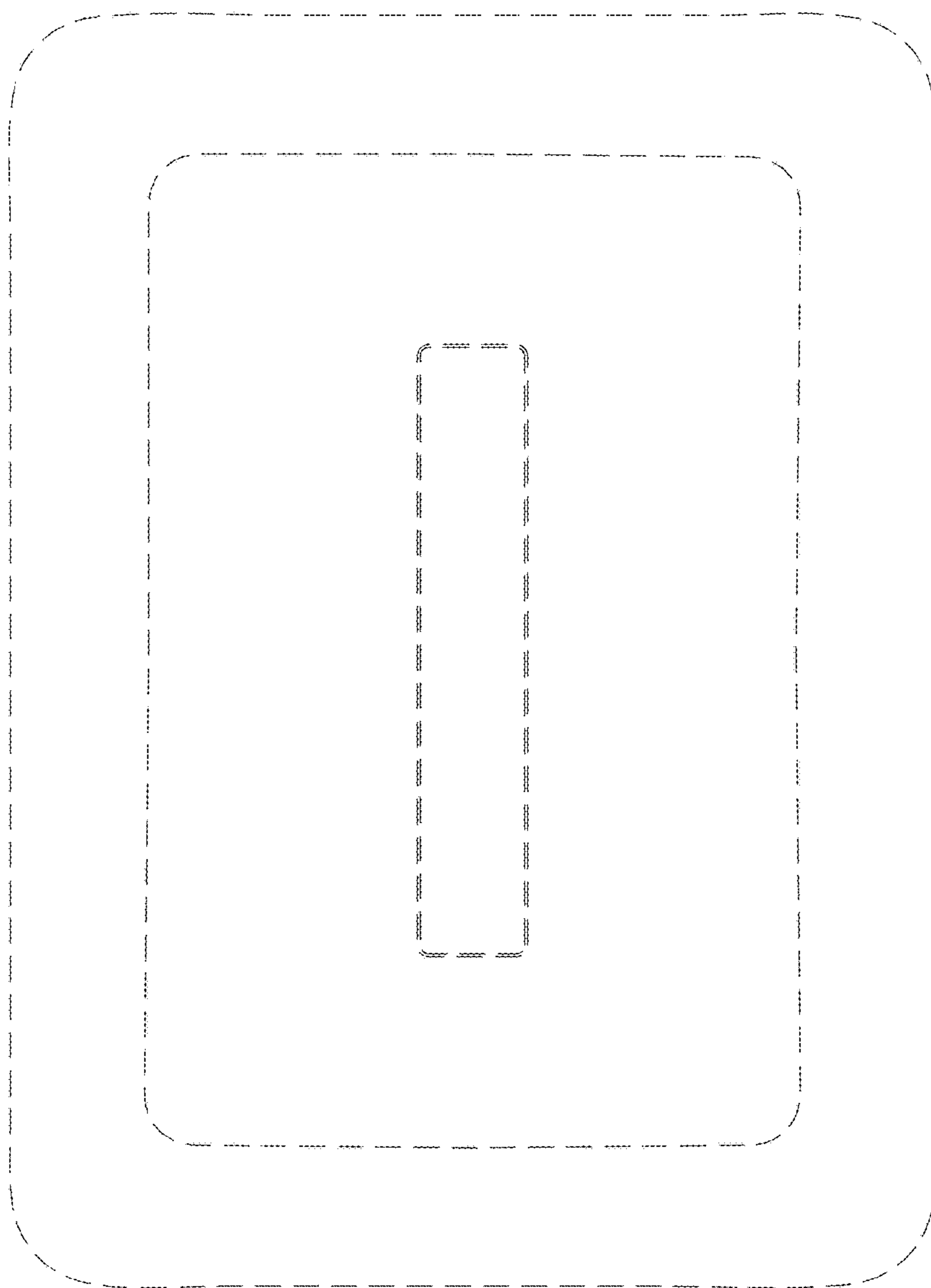


FIG. 4

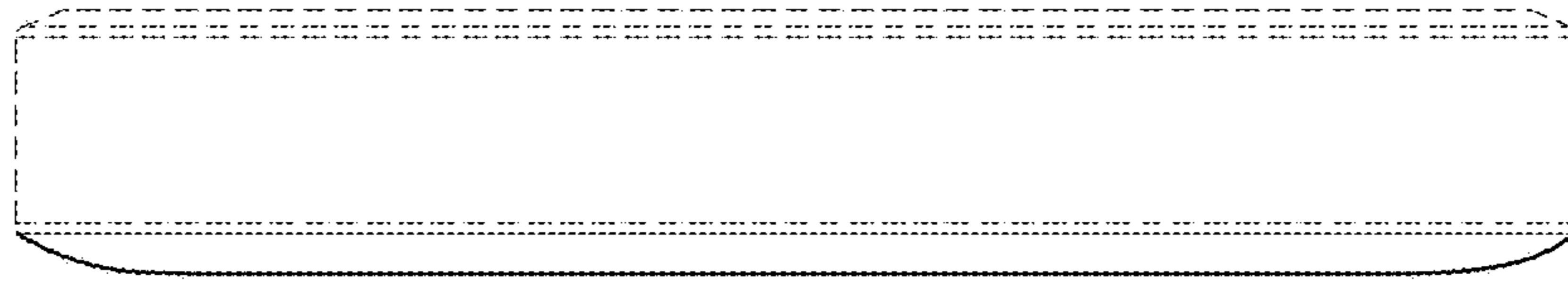


FIG. 5

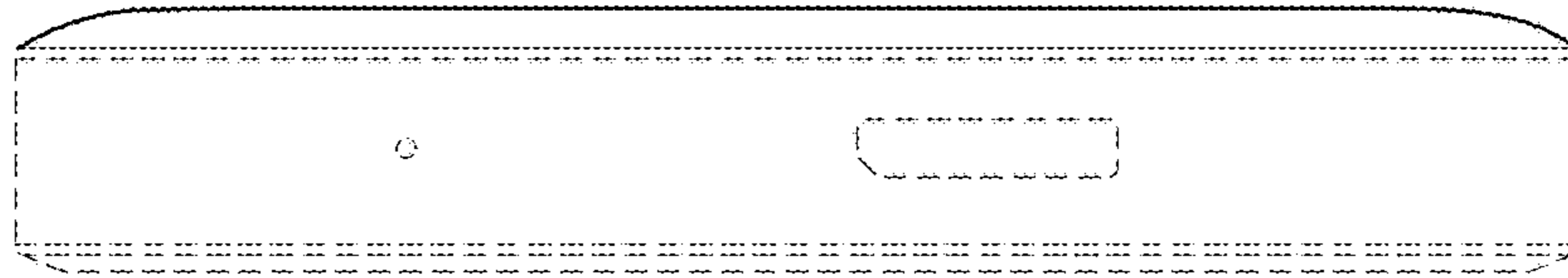


FIG. 6

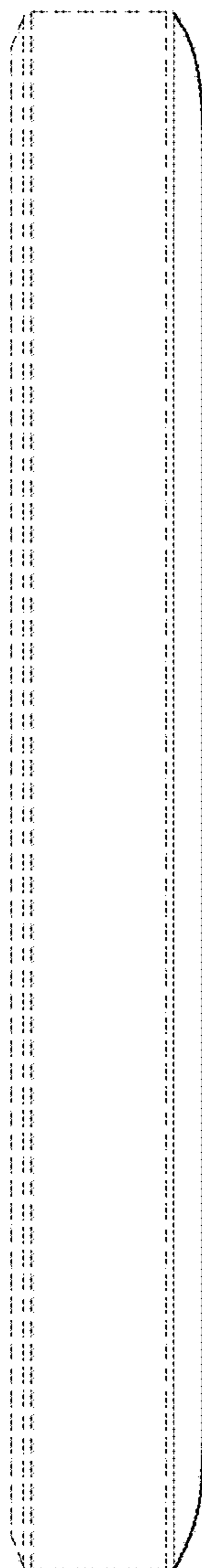


FIG. 7

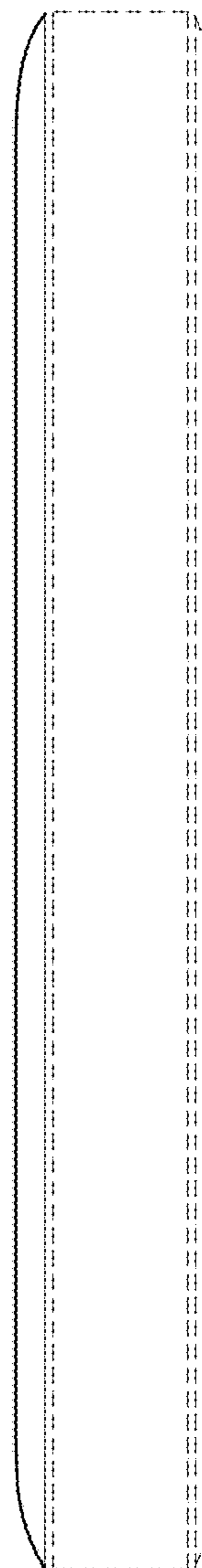


FIG. 8