



US00D777724S

(12) **United States Design Patent**
Sterzick et al.

(10) **Patent No.:** **US D777,724 S**
(45) **Date of Patent:** **** Jan. 31, 2017**

(54) **STORAGE DEVICE**

(71) Applicant: **Western Digital Technologies, Inc.**,
Irvine, CA (US)

(72) Inventors: **Mark F. Sterzick**, Torrance, CA (US);
Steven T. Peng, Irvine, CA (US);
Gregory A. Vanderpol, Long Beach,
CA (US)

(73) Assignee: **Western Digital Technologies, Inc.**,
Irvine, CA (US)

(**) Term: **15 Years**

(21) Appl. No.: **29/531,264**

(22) Filed: **Jun. 24, 2015**

(51) **LOC (10) Cl.** **14-02**

(52) **U.S. Cl.**
USPC **D14/365; D14/348**

(58) **Field of Classification Search**
USPC D14/300, 348, 349, 353, 355, 356-358,
D14/363-370, 439, 479, 496, 125, 135,
D14/155, 240-242, 299; D13/103, 107,
D13/108, 119, 162, 184, 199

(Continued)

(56) **References Cited**

U.S. PATENT DOCUMENTS

D517,065 S * 3/2006 Ko D14/365
D558,790 S * 1/2008 Yu D14/496

(Continued)

Primary Examiner — Susan Bennett Hattan

Assistant Examiner — Marie Fast Horse

(74) *Attorney, Agent, or Firm* — Knobbe, Martens, Olson
& Bear, LLP

(57) **CLAIM**

The ornamental design for a storage device, as shown and described.

DESCRIPTION

FIG. 1 is a top, front and side perspective view of a first embodiment of a storage device embodying the new design; FIG. 2 is a bottom, back and side perspective thereof; FIG. 3 is a front view thereof; FIG. 4 is a back view thereof; FIG. 5 is a first side view thereof; FIG. 6 is a second side view thereof; FIG. 7 is a top view thereof; FIG. 8 is a bottom view thereof; FIG. 9 is a top detail view thereof taken along line 9-9 of FIG. 7; and

FIG. 10 is a bottom detail view thereof taken along line 10-10 of FIG. 8.

FIG. 11 is detail cross-sectional view showing a shape of a groove on the top thereof taken along line 11-11 of FIG. 7, a groove on the bottom having the same profile;

FIG. 12 is a top, front and side perspective view of a second embodiment of the storage device embodying the new design;

FIG. 13 is a bottom, back and side perspective thereof;

FIG. 14 is a front view thereof;

FIG. 15 is a back view thereof;

FIG. 16 is a first side view thereof;

FIG. 17 is a second side view thereof;

FIG. 18 is a top view thereof;

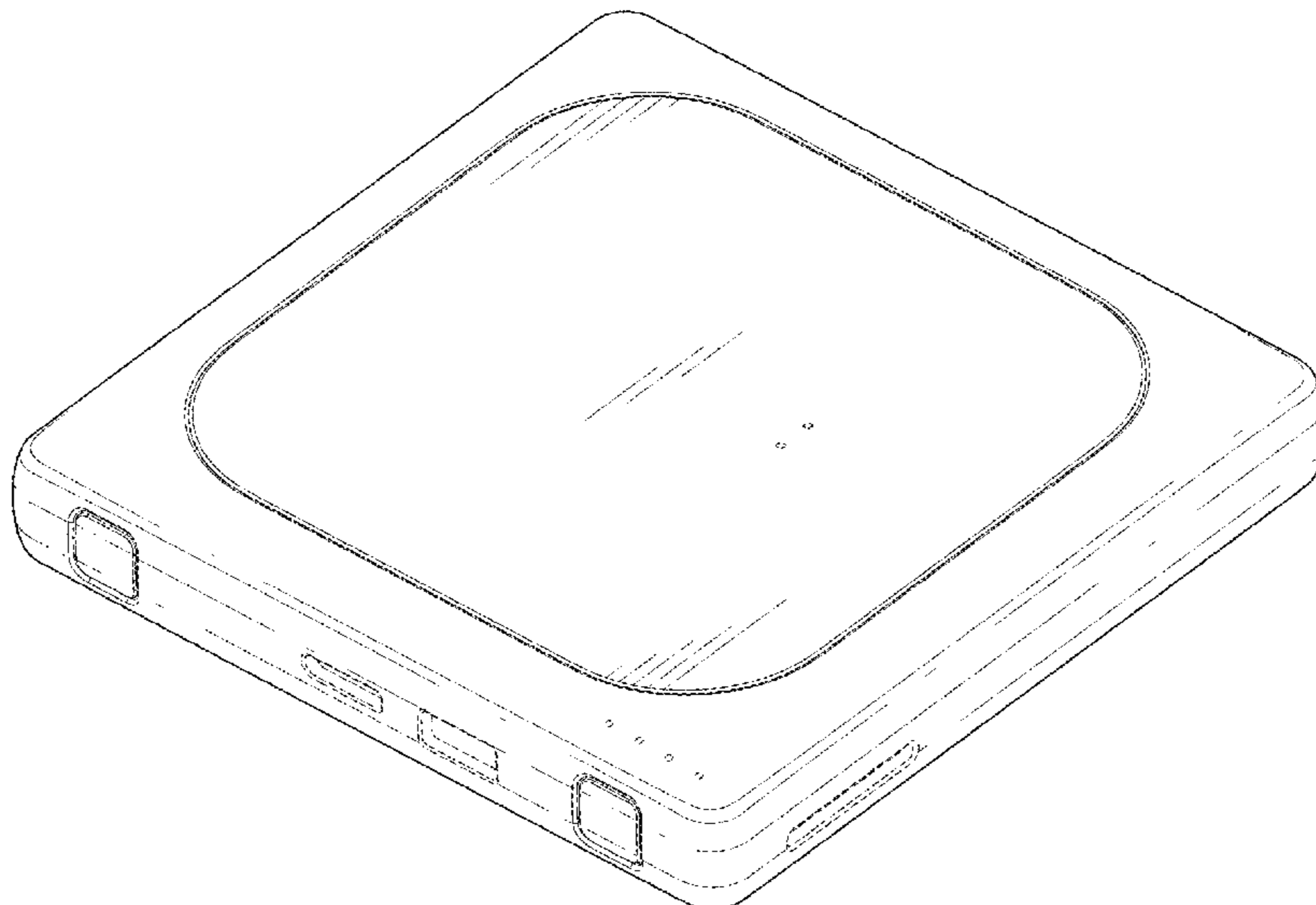
FIG. 19 is a bottom view thereof;

FIG. 20 is a top detail view thereof taken along line 20-20 of FIG. 18, it will be understood that the top groove has the same profile as the first embodiment; and,

FIG. 21 is a bottom detail view thereof taken along line 21-21 of FIG. 19, it will be understood that the bottom groove has the same profile as the first embodiment.

The broken lines immediately adjacent to the shaded surfaces represent boundaries of the claim, which extends to the boundaries but does not include the boundaries; all other broken lines depict portions of the storage device that form no part of the claim.

1 Claim, 17 Drawing Sheets



(58) **Field of Classification Search**

CPC ... G11B 33/122; G11B 33/123; G11B 33/124;
 G11B 33/128; G11B 33/08; G11B 33/022;
 G11B 33/025; G11B 33/027

See application file for complete search history.

(56) **References Cited**

U.S. PATENT DOCUMENTS

D577,020	S	*	9/2008	Park	D14/363
D577,021	S	*	9/2008	Kuang	D14/363
D621,282	S		8/2010	Yagi		
D632,290	S	*	2/2011	Jeon	D14/356
D675,173	S	*	1/2013	Paradise	D14/125
D687,068	S	*	7/2013	Paradise	D14/496
D693,808	S	*	11/2013	Kim	D14/365
D707,667	S		6/2014	Kono et al.		
D710,824	S	*	8/2014	Mackiewicz	D14/214
D716,296	S	*	10/2014	Drew	D14/349
D720,314	S	*	12/2014	Wang	D14/125
D727,360	S	*	4/2015	Peng	D14/203.1
D729,239	S	*	5/2015	Fukuoka	D14/348
D737,819	S	*	9/2015	Tsai	D14/365
D740,809	S	*	10/2015	Kwon	D14/250
D743,962	S	*	11/2015	Ikeda	D14/348
D751,071	S	*	3/2016	Kurata	D14/365
D758,366	S	*	6/2016	Peng	D14/363
D760,223	S	*	6/2016	Peng	D14/363
D760,647	S	*	7/2016	Chen	D13/103
D764,405	S	*	8/2016	Herr	D13/103
D765,140	S	*	8/2016	Peng	D14/496
2012/0050977	A1	*	3/2012	Lai	G06F 1/187 361/679.33

* cited by examiner

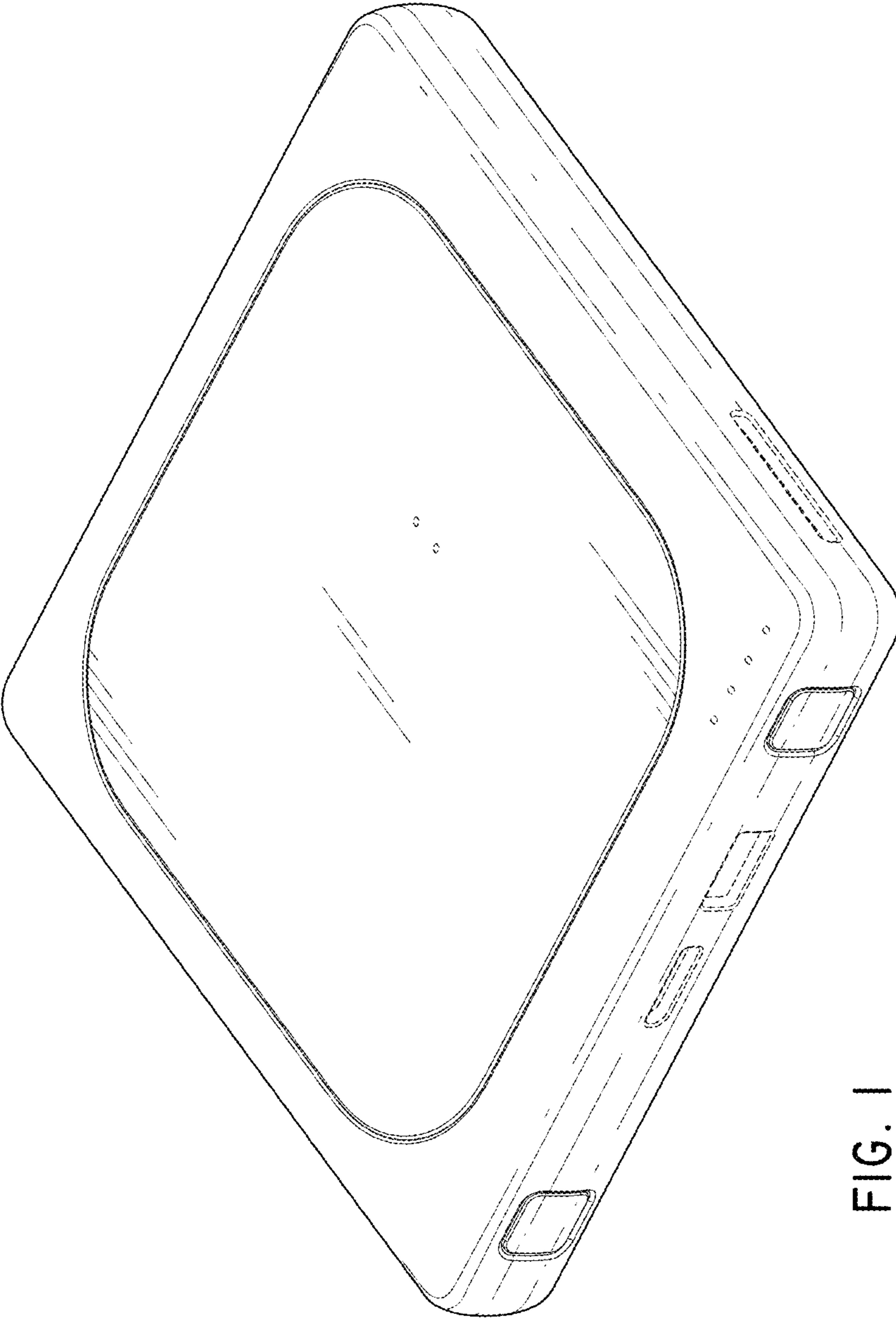


FIG. 1

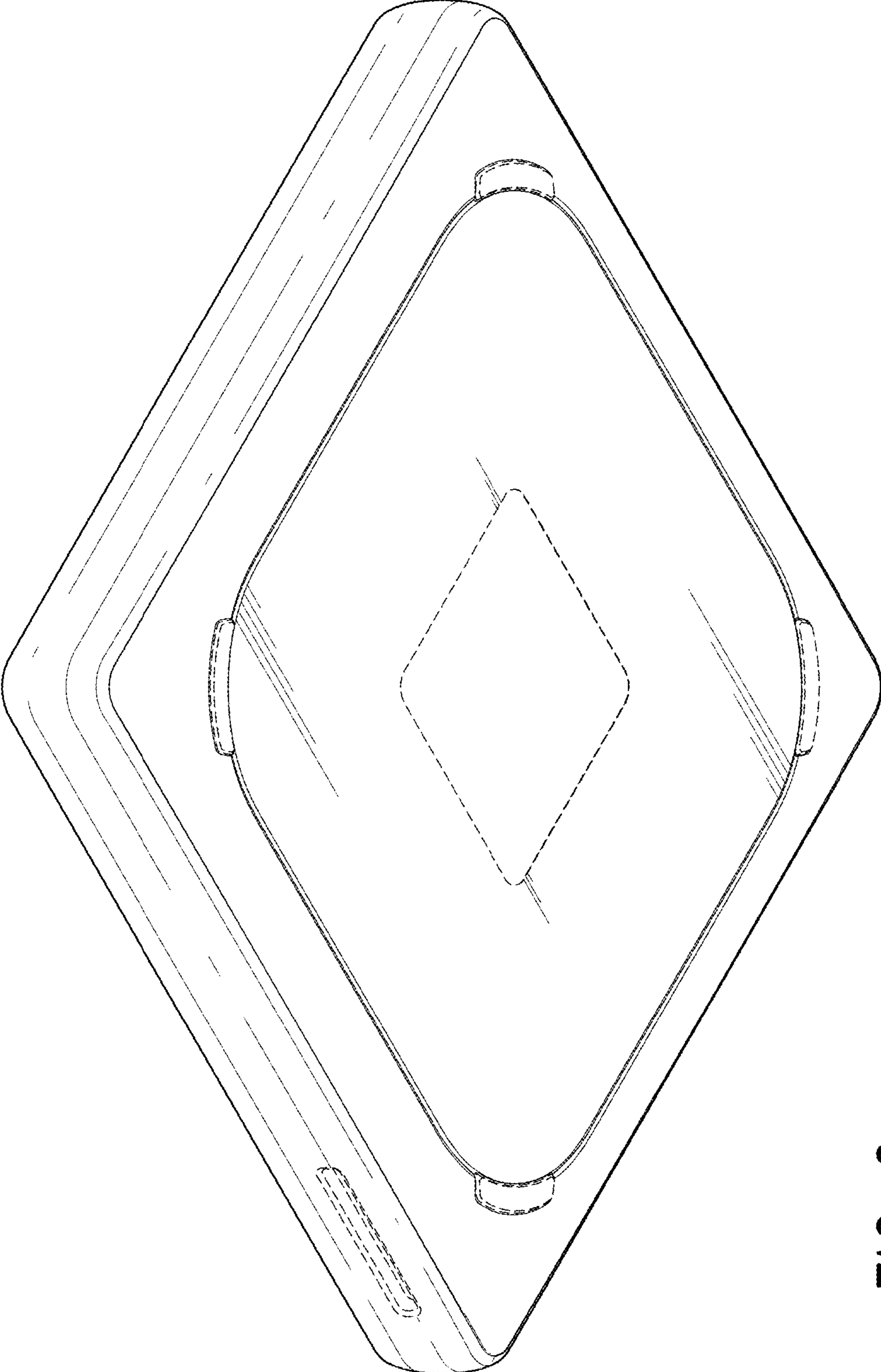


FIG. 2

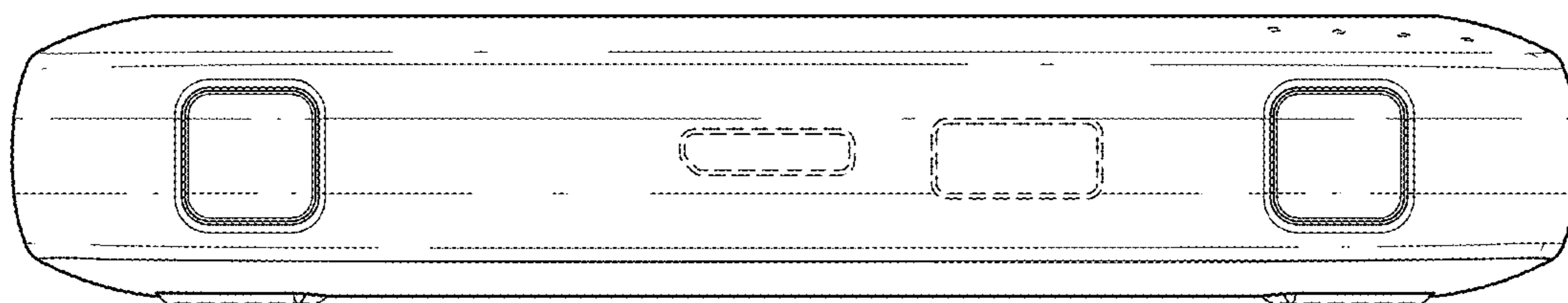


FIG. 3

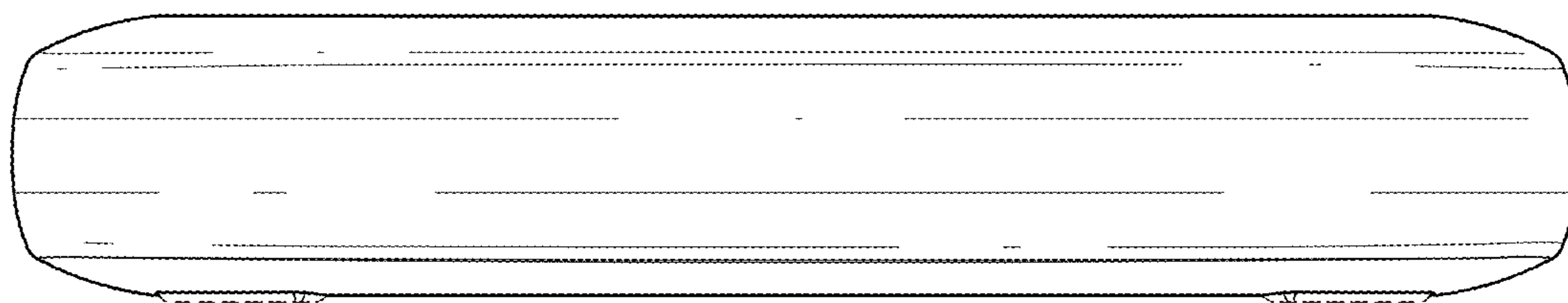


FIG. 4

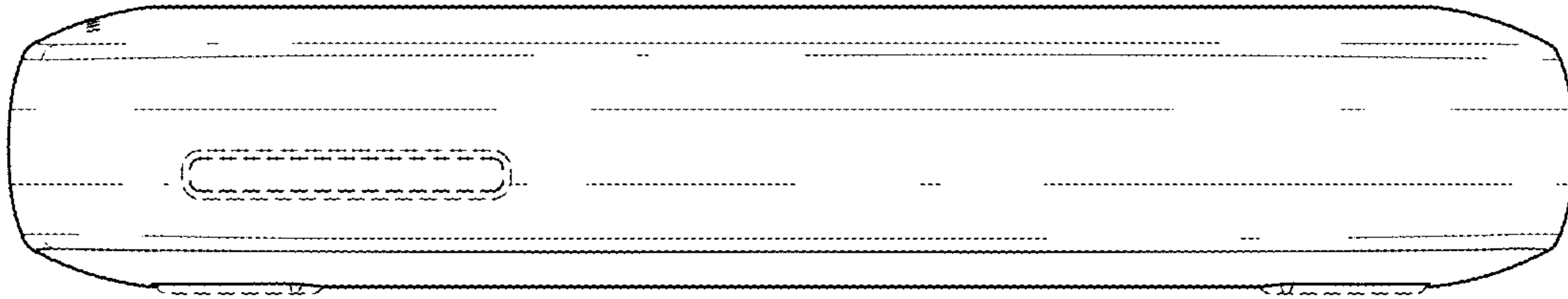


FIG. 5

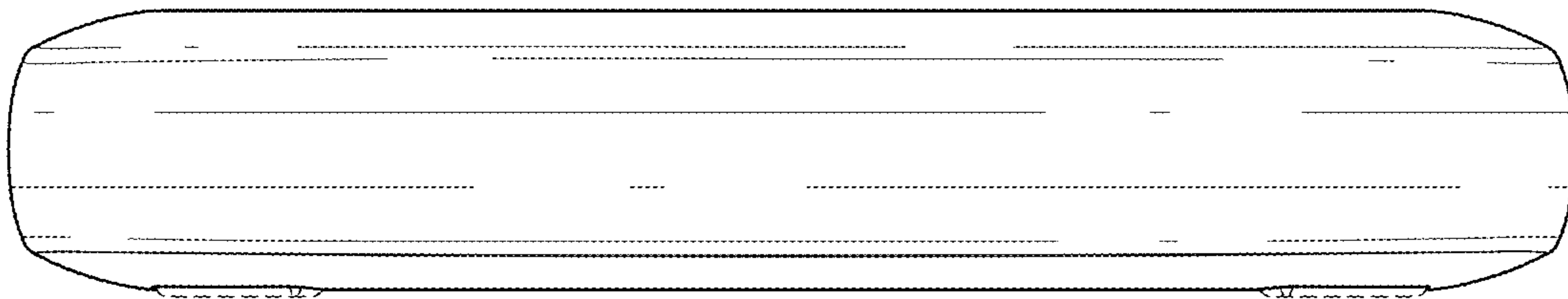


FIG. 6

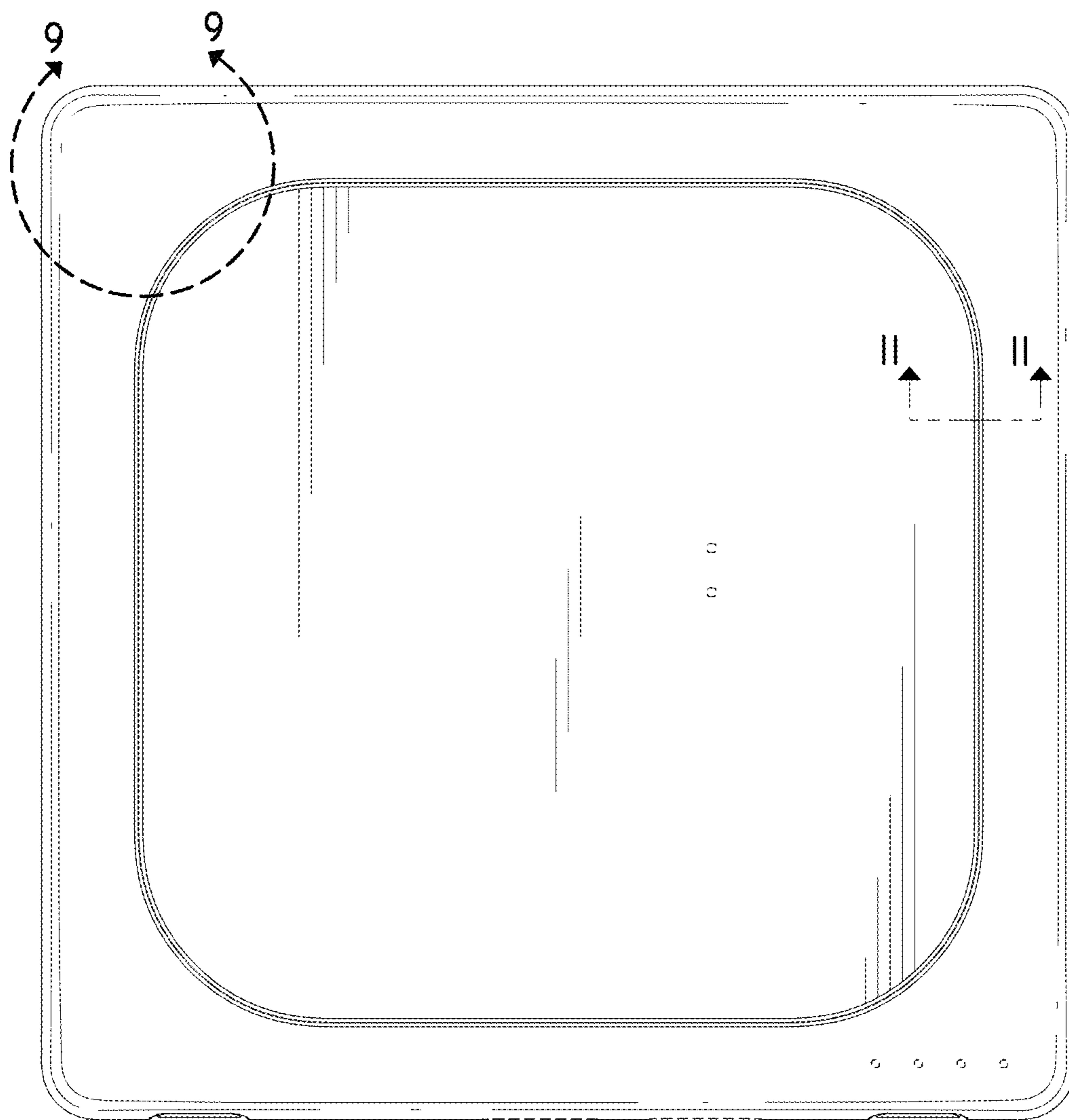


FIG. 7

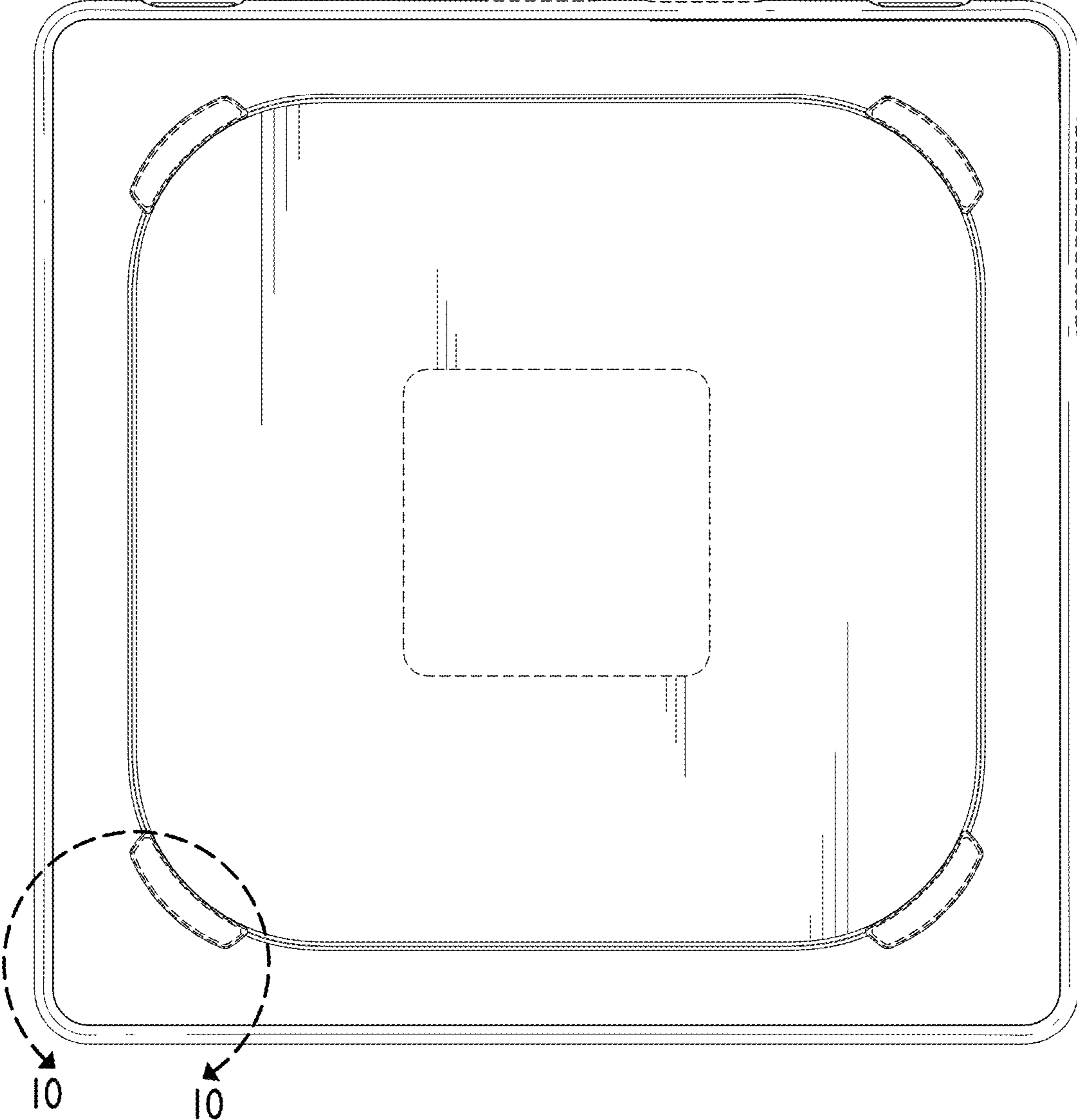


FIG. 8

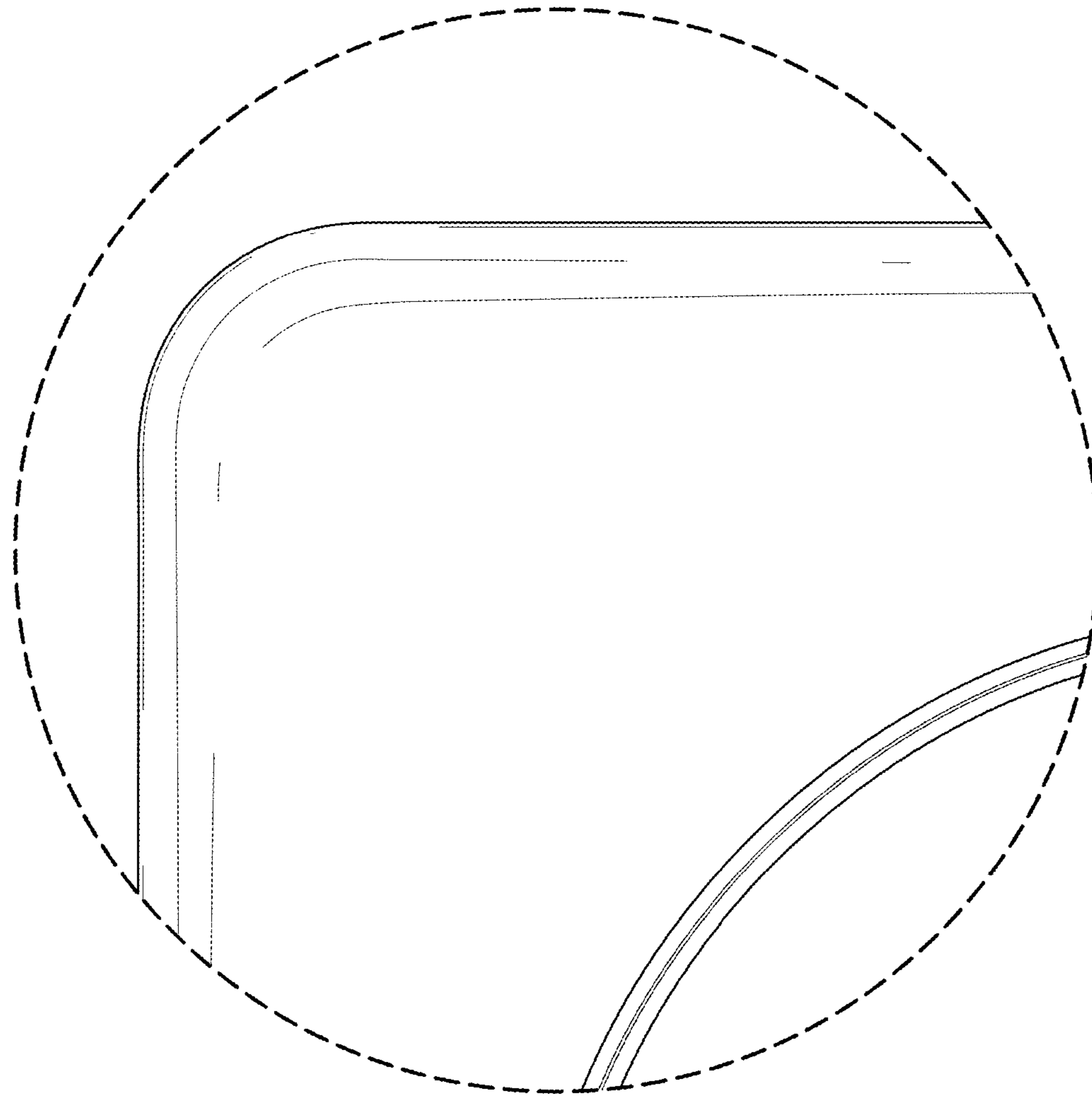


FIG. 9

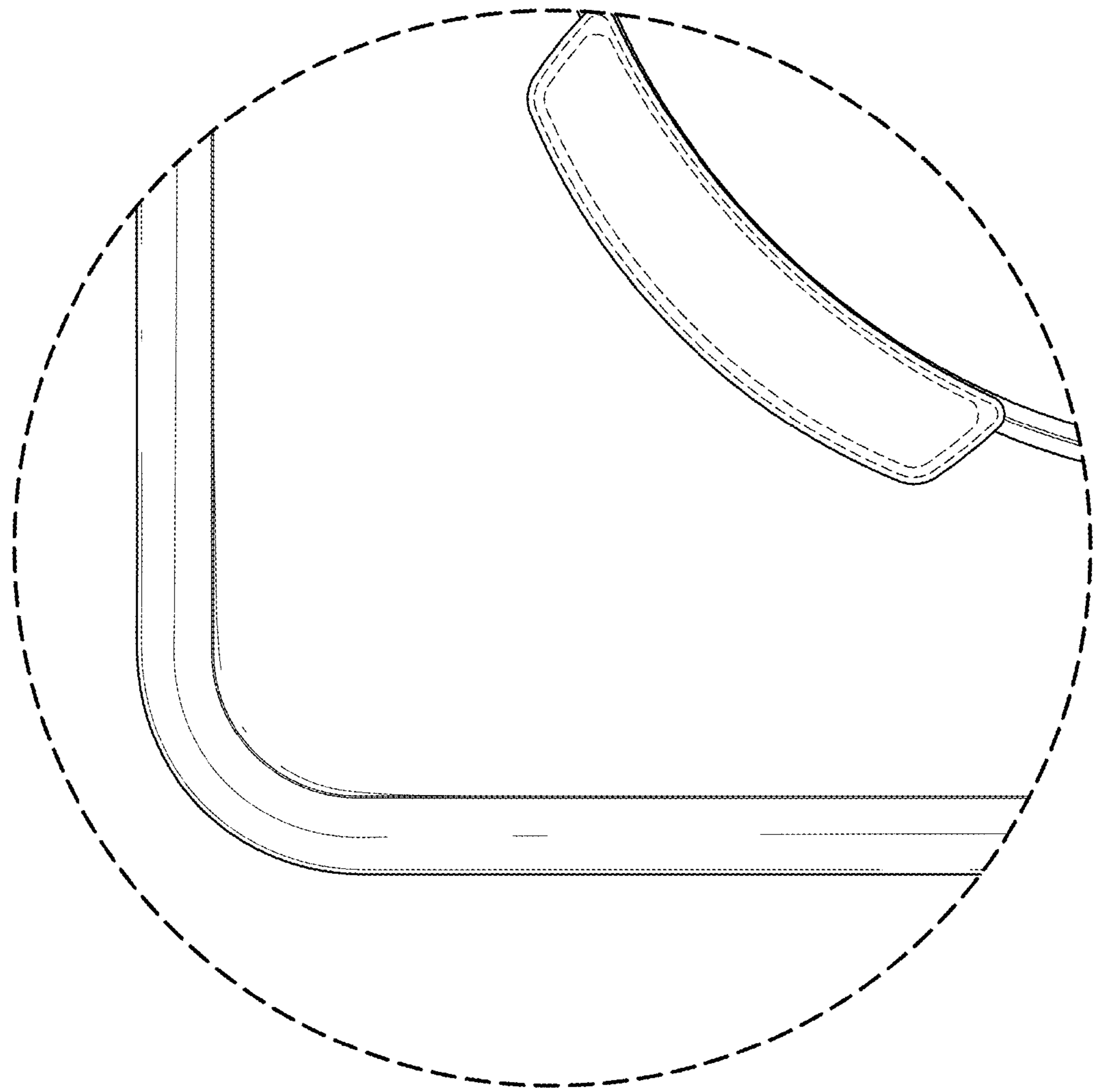


FIG. 10

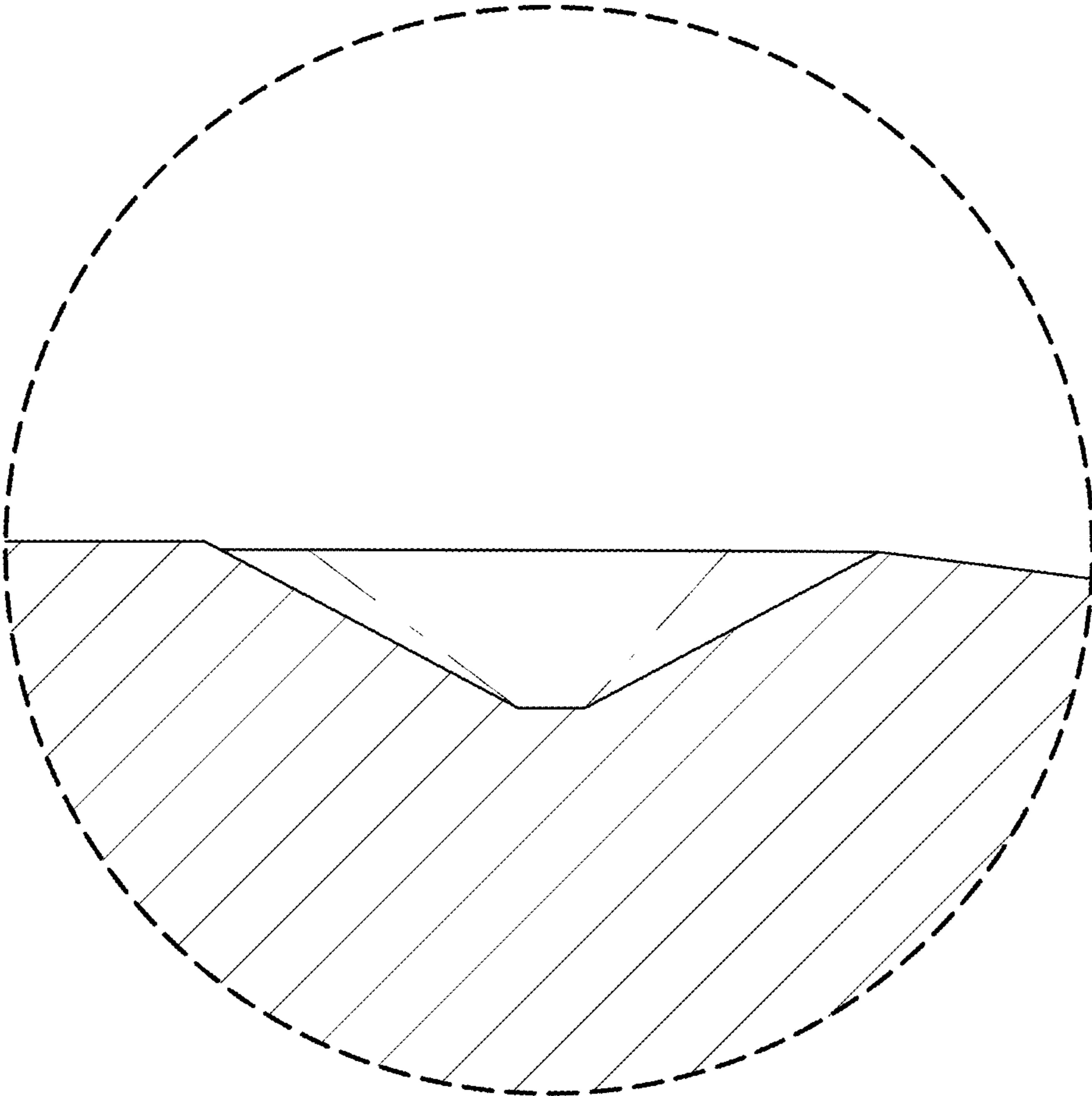


FIG. II

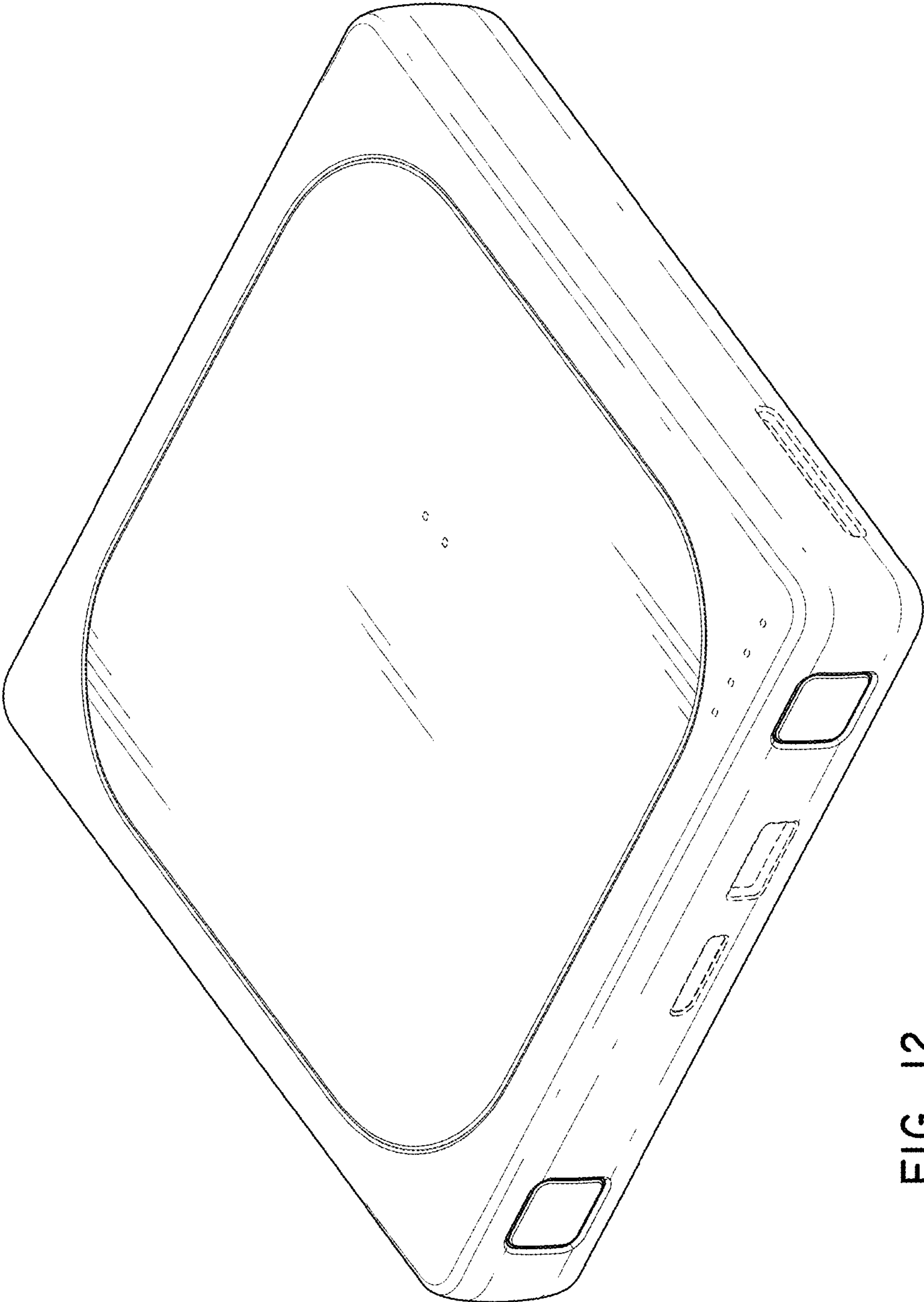


FIG. 12

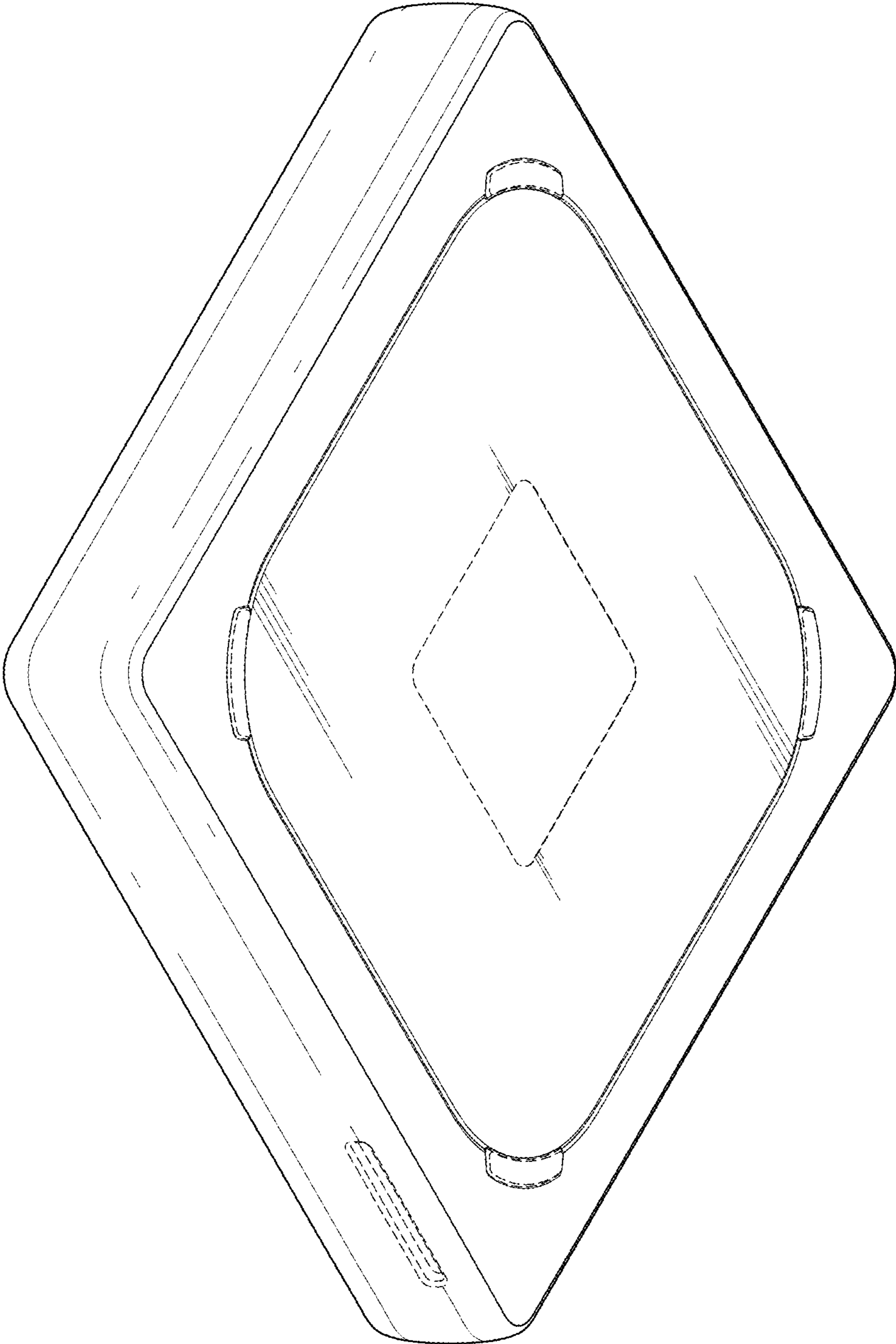


FIG. 13

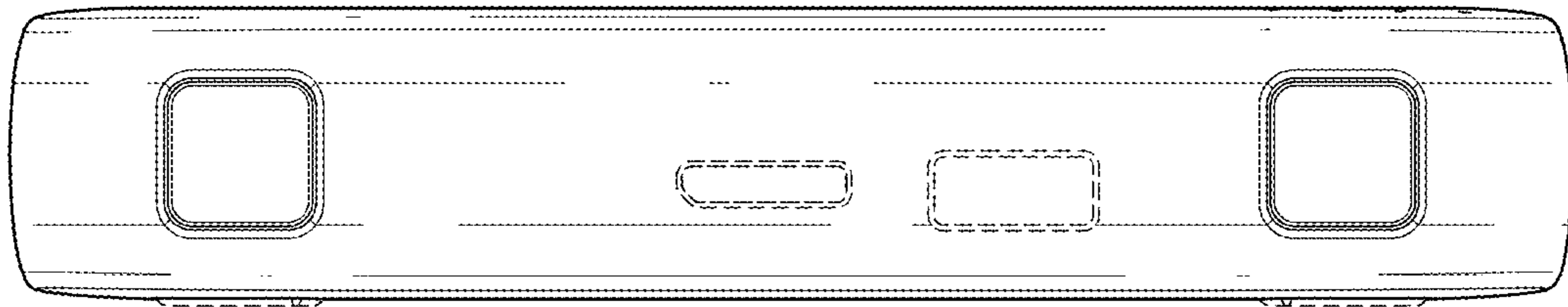


FIG. 14

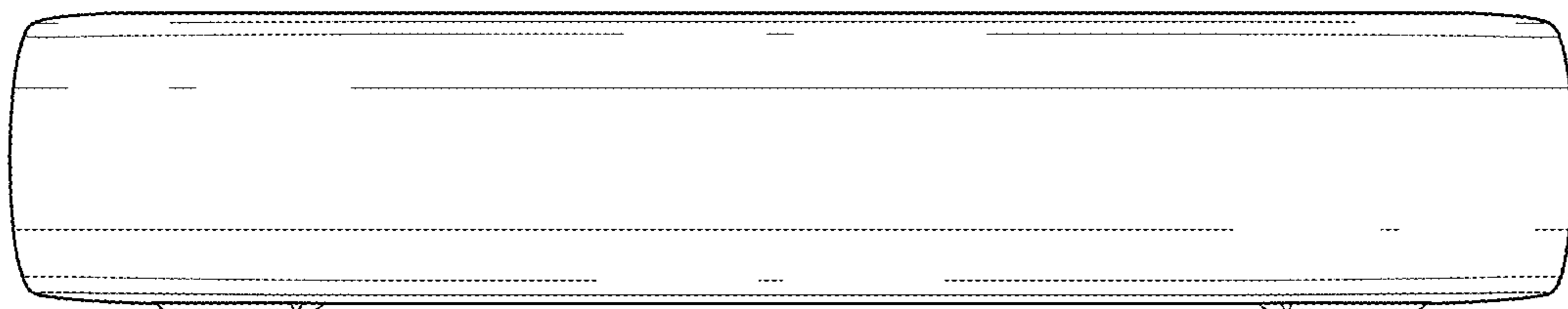


FIG. 15

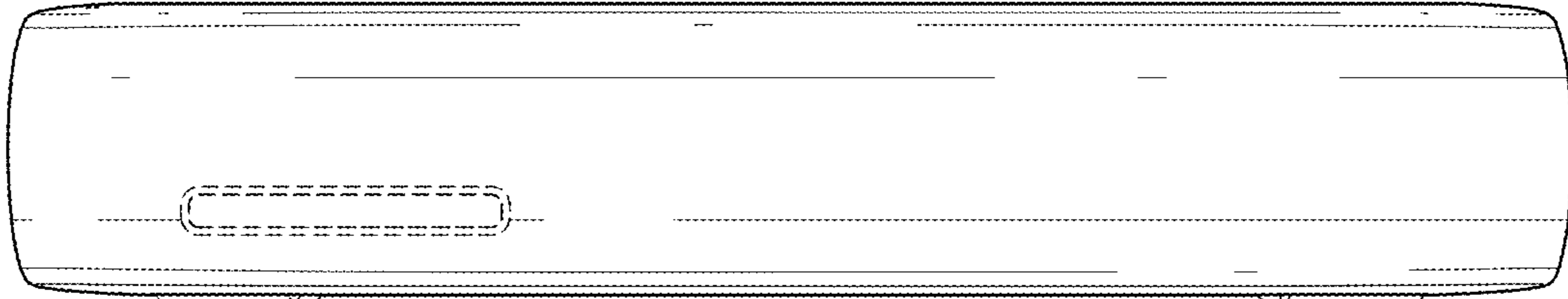


FIG. 16

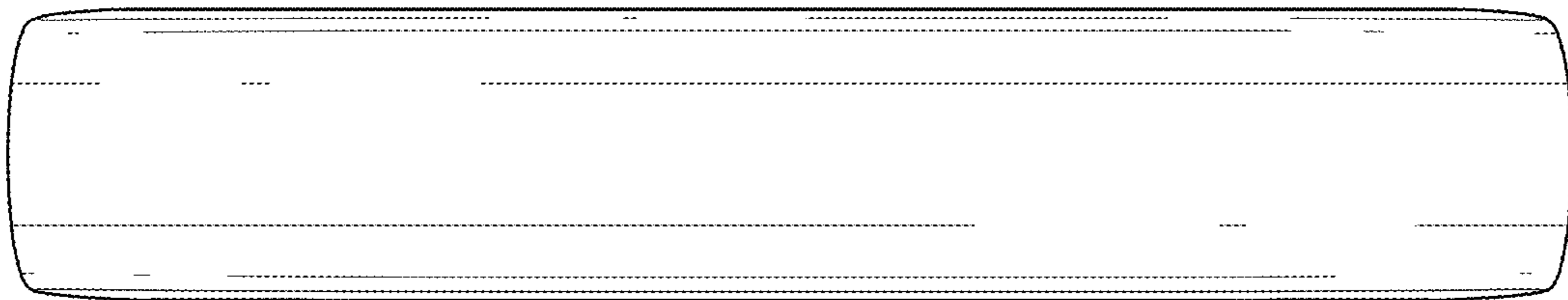


FIG. 17

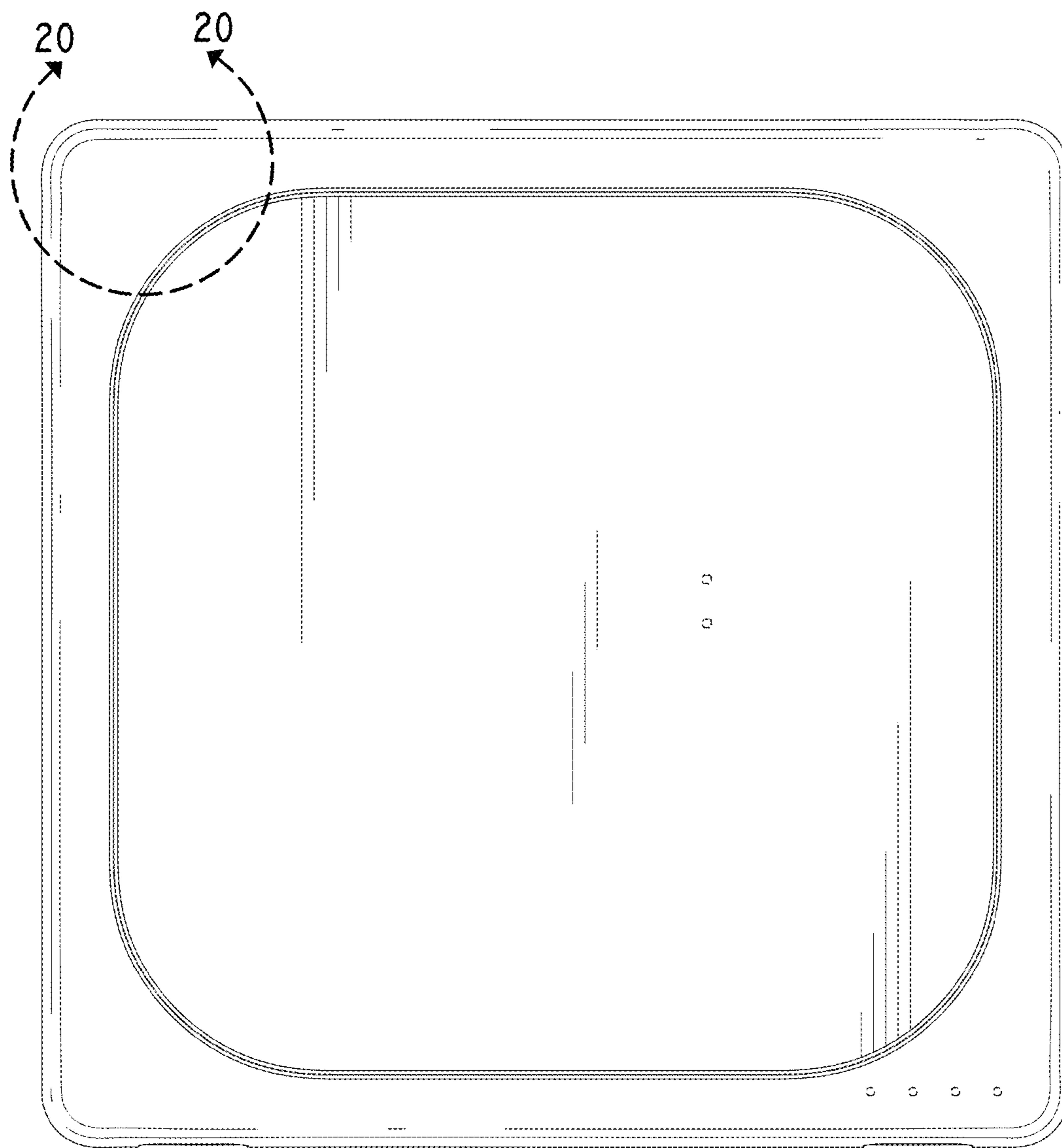


FIG. 18

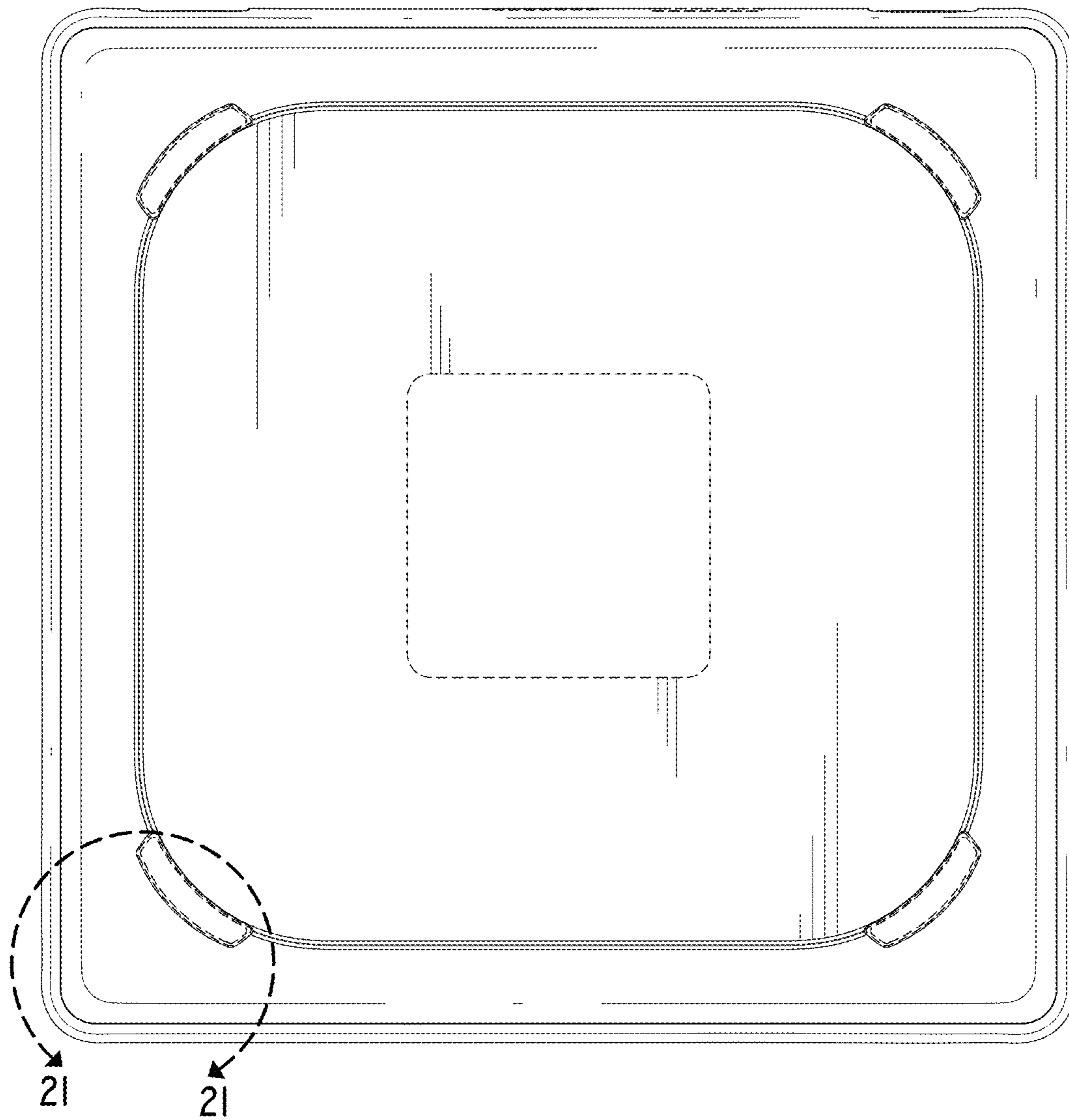


FIG. 19

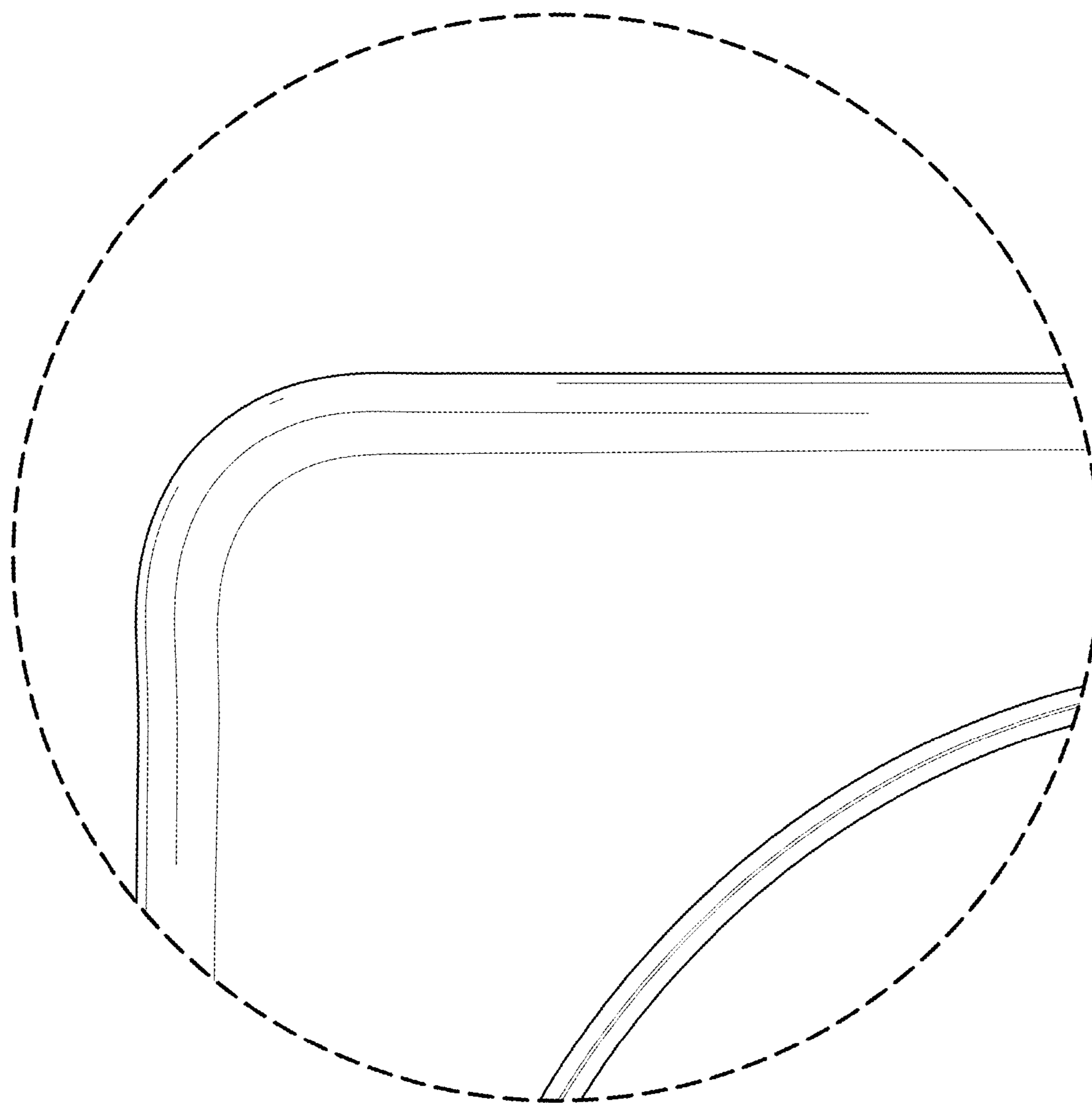


FIG. 20

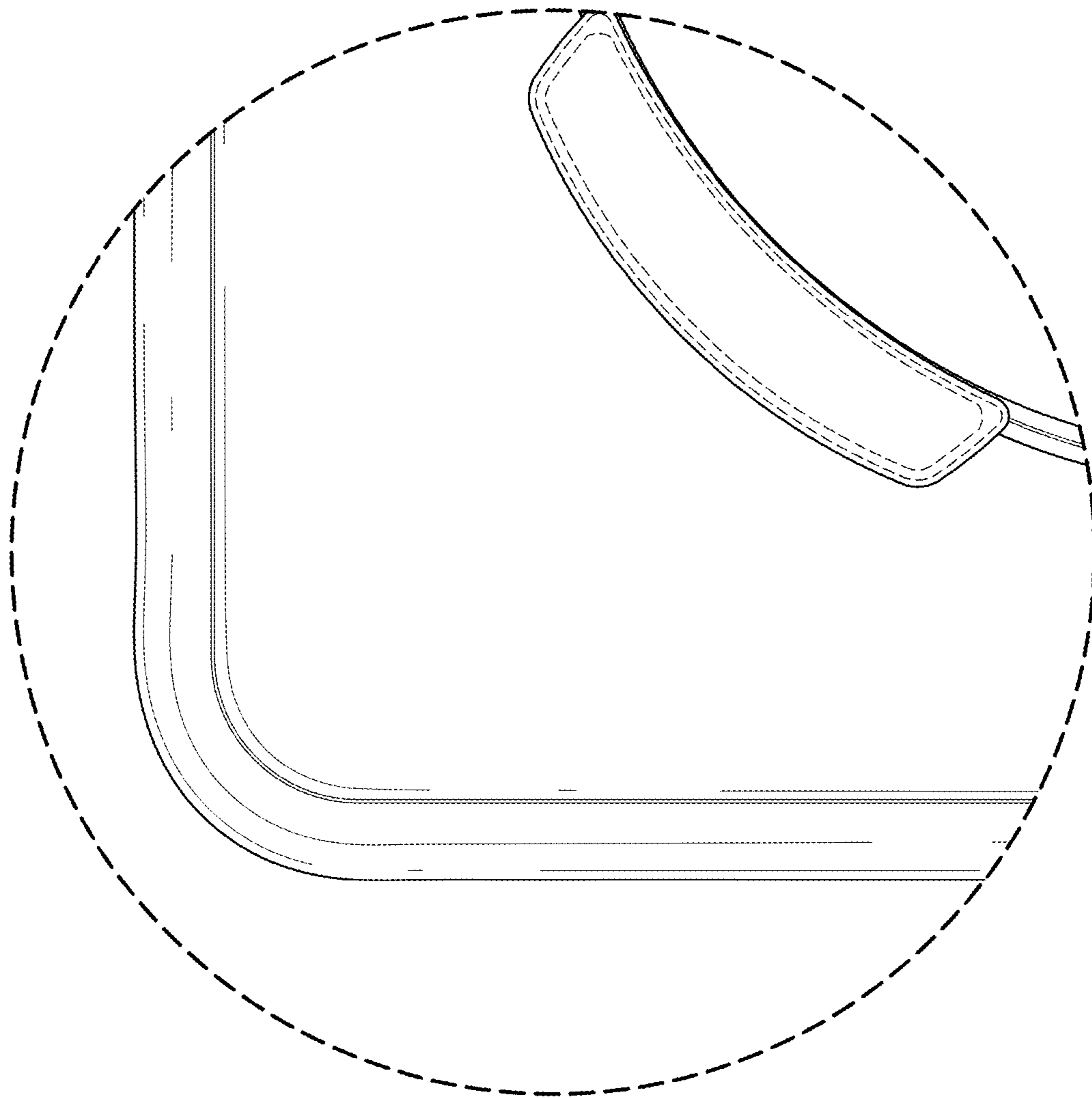


FIG. 21