



US00D777722S

(12) **United States Design Patent**
Murphy

(10) **Patent No.:** **US D777,722 S**

(45) **Date of Patent:** **** Jan. 31, 2017**

(54) **KIOSK ENCLOSURE**

(71) Applicant: **SMARTKIOSK STORAGE, LLC,**
Crest Hill, IL (US)

(72) Inventor: **John Philip Murphy,** Naperville, IL
(US)

(73) Assignee: **SMARTKIOSK STORAGE, LLC,**
Crest Hill, IL (US)

(**) Term: **15 Years**

(21) Appl. No.: **29/561,961**

(22) Filed: **Apr. 21, 2016**

(51) **LOC (10) Cl.** **14-02**

(52) **U.S. Cl.**
USPC **D14/307**

(58) **Field of Classification Search**
USPC D14/167, 154, 168, 188, 496, 156, 160,
D14/161, 162, 163, 164, 165, 158, 253,
D14/192, 159, 155, 138 AB, 137, 104.1,
D14/307; 455/351, 350, 353; D10/104,
D10/106, 65, 78; 340/573.4, 573.1
CPC G08B 13/1672; G08B 13/19645;
G08B 25/006; H04M 11/04
See application file for complete search history.

(56) **References Cited**

U.S. PATENT DOCUMENTS

D425,875 S * 5/2000 Wilson D14/130
7,546,957 B2 * 6/2009 Melnik G06Q 10/02
235/380
8,113,429 B2 * 2/2012 Craig G06K 7/109
235/462.32
D661,293 S * 6/2012 Kuroda D14/307

D671,535 S * 11/2012 Terashima D14/307
D681,030 S * 4/2013 Yopez D14/307
D691,141 S * 10/2013 Cruz D14/307
D693,803 S * 11/2013 Colley D14/307
D725,647 S * 3/2015 Williams D14/307
D730,890 S * 6/2015 Kraft D14/307
D732,520 S * 6/2015 Themann D14/307
D732,522 S * 6/2015 Chadbourne D14/307
D734,314 S * 7/2015 Swaine D14/307
D743,956 S * 11/2015 Kraft D14/307
D751,061 S * 3/2016 Berini D14/307
D763,247 S * 8/2016 Yopez D14/307
D767,559 S * 9/2016 Pfeiffer D14/307

* cited by examiner

Primary Examiner — Austin Murphy

(74) *Attorney, Agent, or Firm* — Vedder Price P.C.

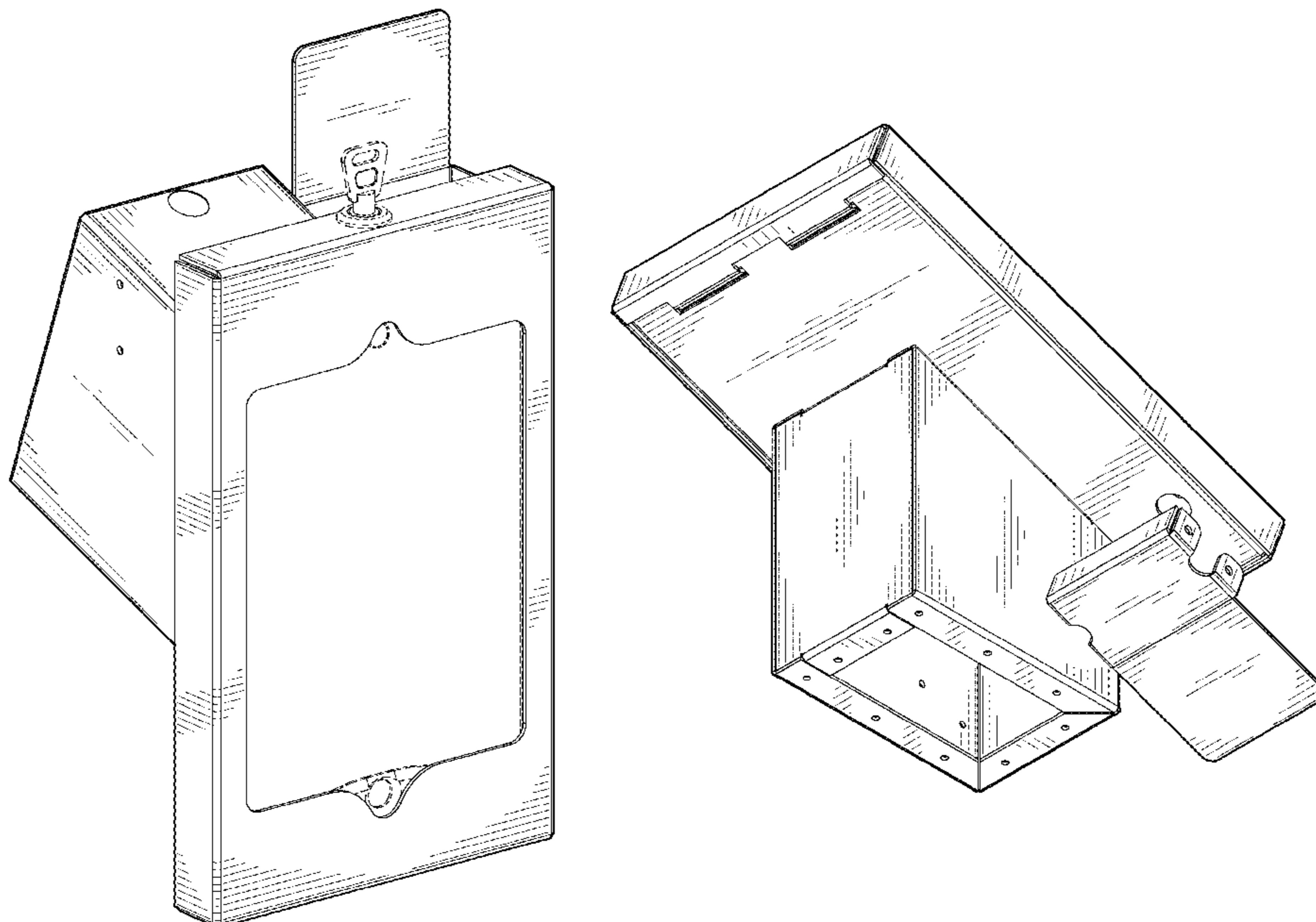
(57) **CLAIM**

The ornamental design of the kiosk enclosure, as shown and described.

DESCRIPTION

FIG. 1 is a perspective view of the kiosk enclosure;
FIG. 2 is a perspective view of the back of the kiosk enclosure of FIG. 1;
FIG. 3 is a front view of the kiosk enclosure of FIG. 1;
FIG. 4 is a back view of the kiosk enclosure of FIG. 1;
FIG. 5 is a top view of the kiosk enclosure of FIG. 1;
FIG. 6 is a bottom view of the kiosk enclosure of FIG. 1;
FIG. 7 is a side view of the kiosk enclosure of FIG. 1; and,
FIG. 8 is a side view of the kiosk enclosure of FIG. 1.
The broken line portions of the drawings are for illustrative purposes only and form no part of the claimed design.

1 Claim, 8 Drawing Sheets



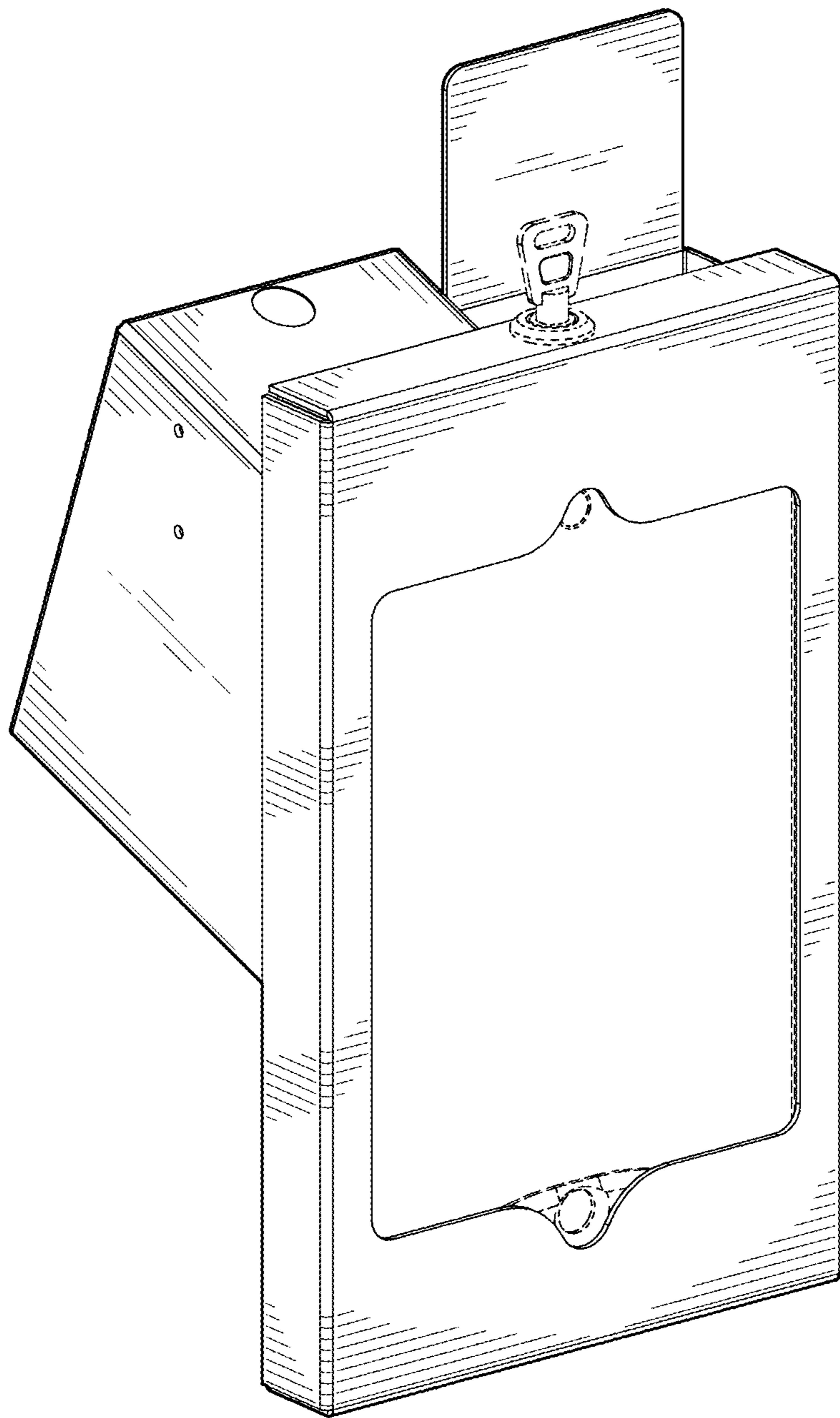


FIG. 1

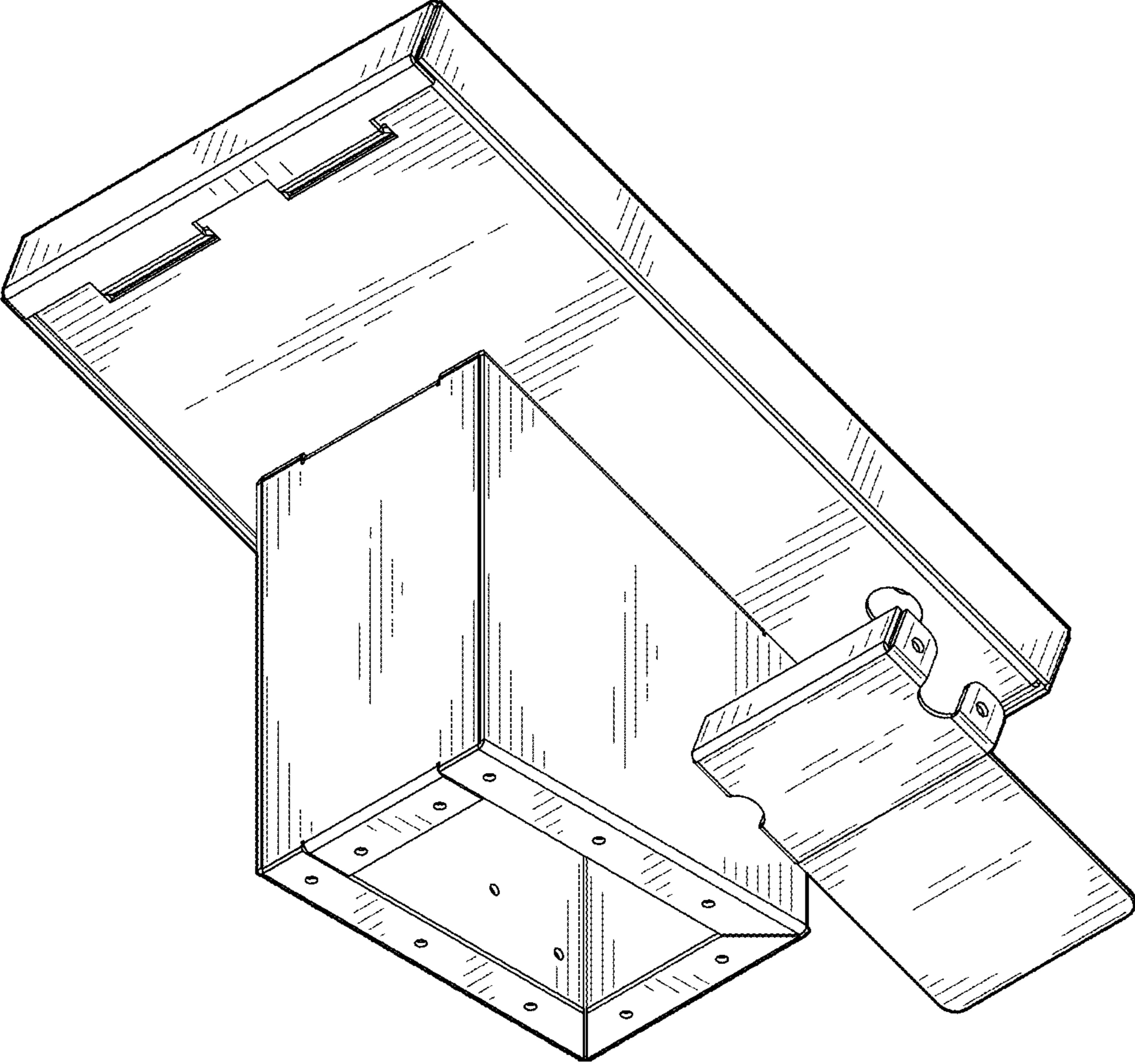


FIG. 2

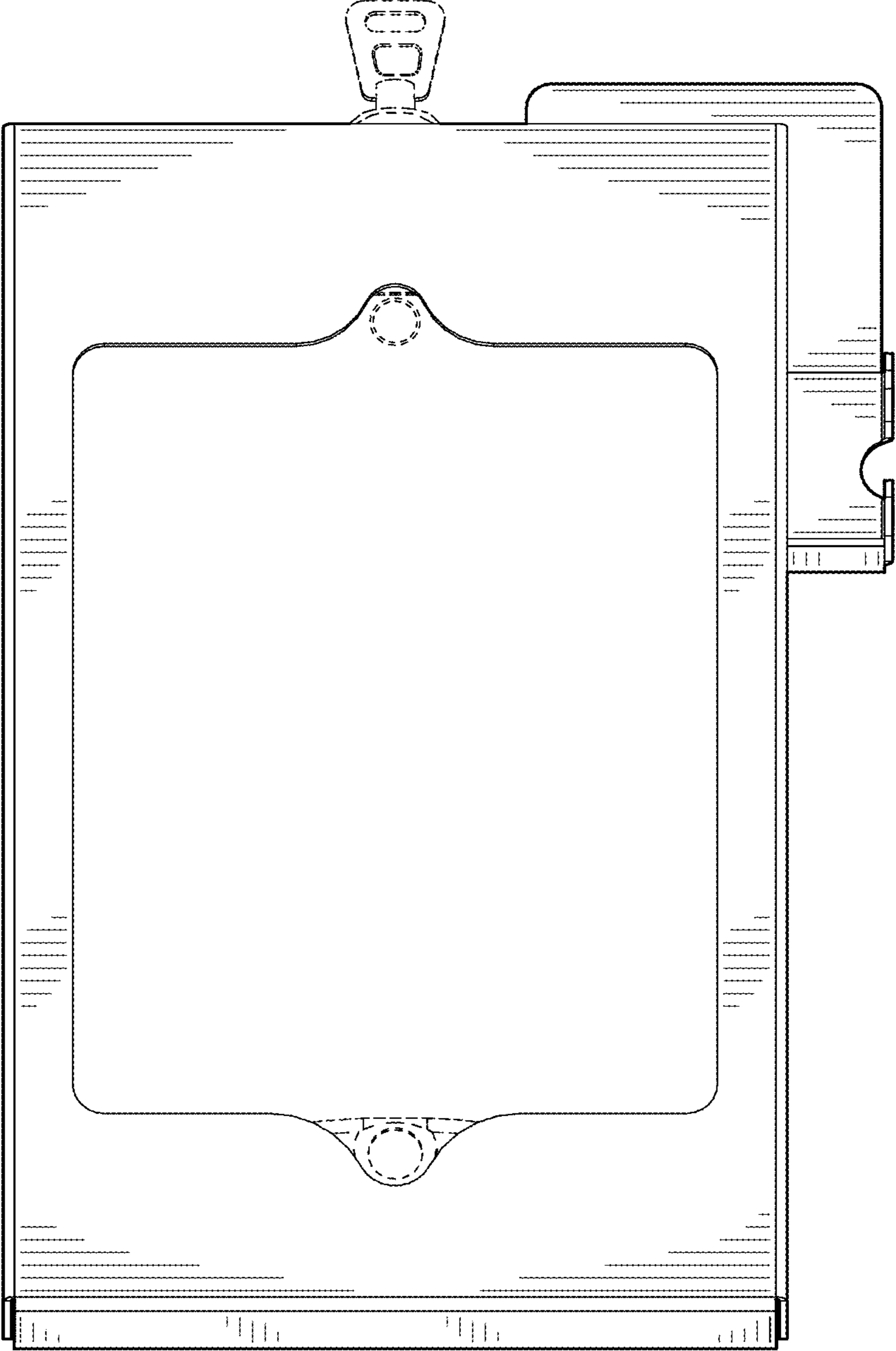


FIG. 3

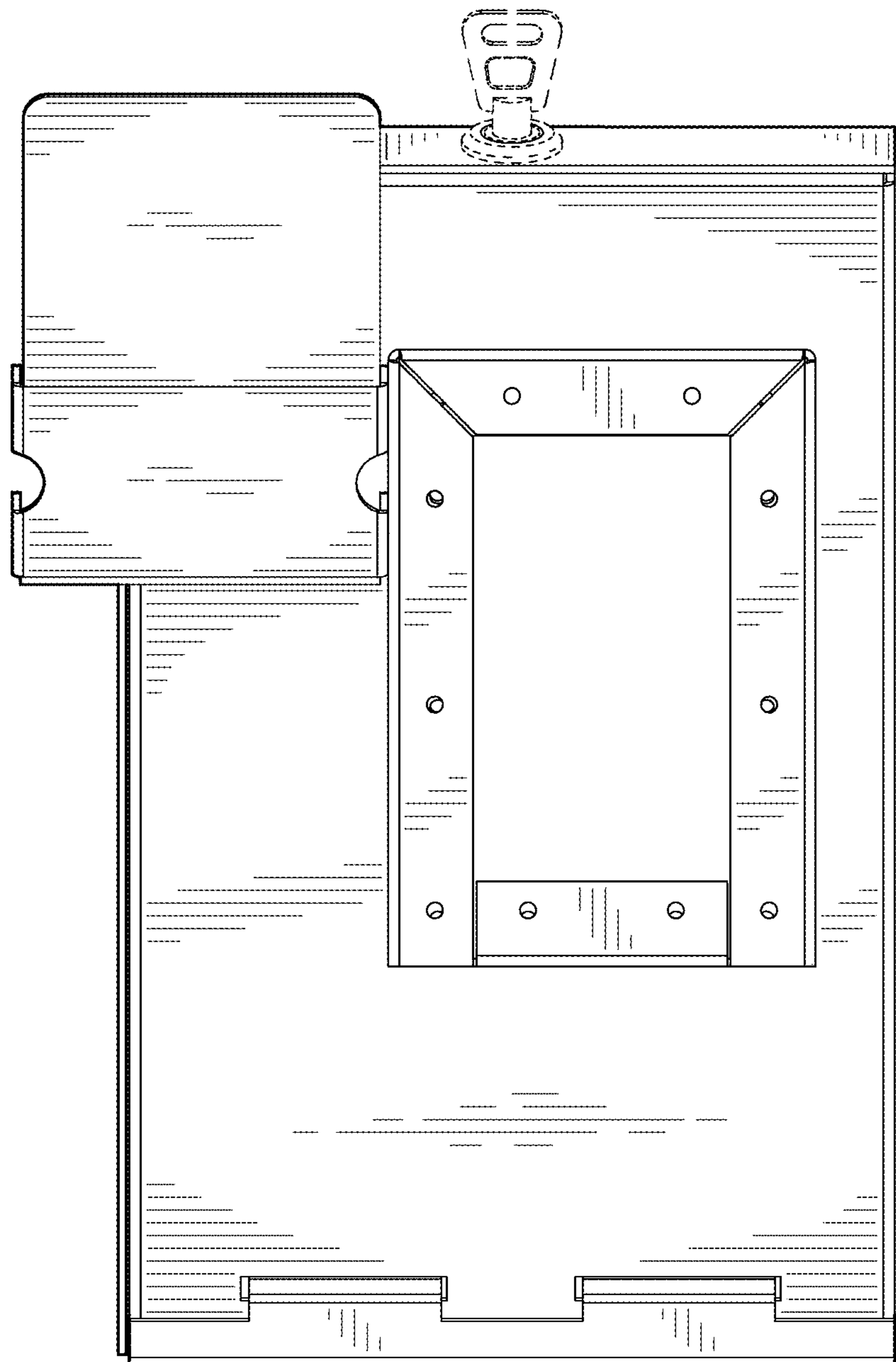


FIG. 4

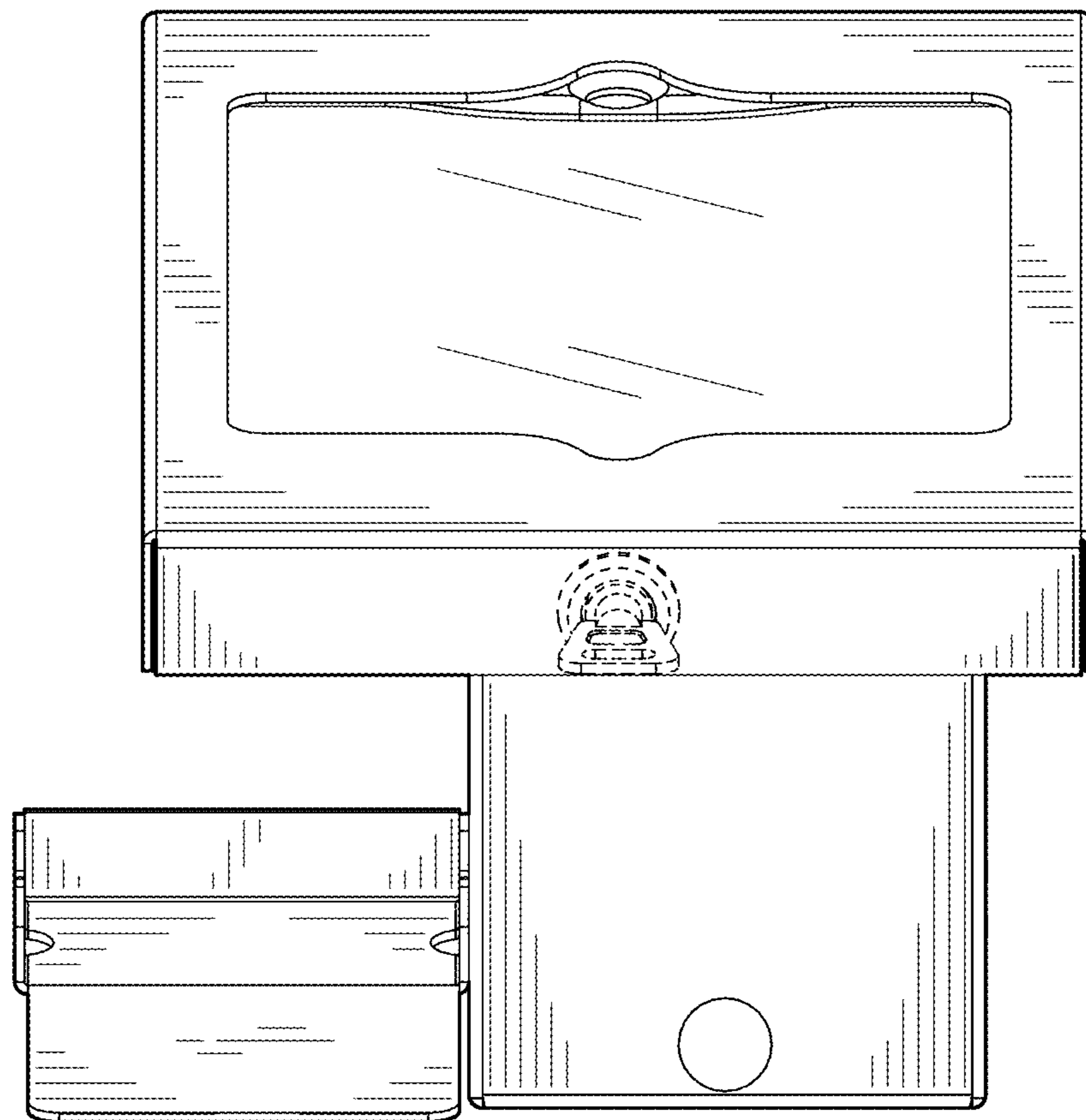


FIG. 5

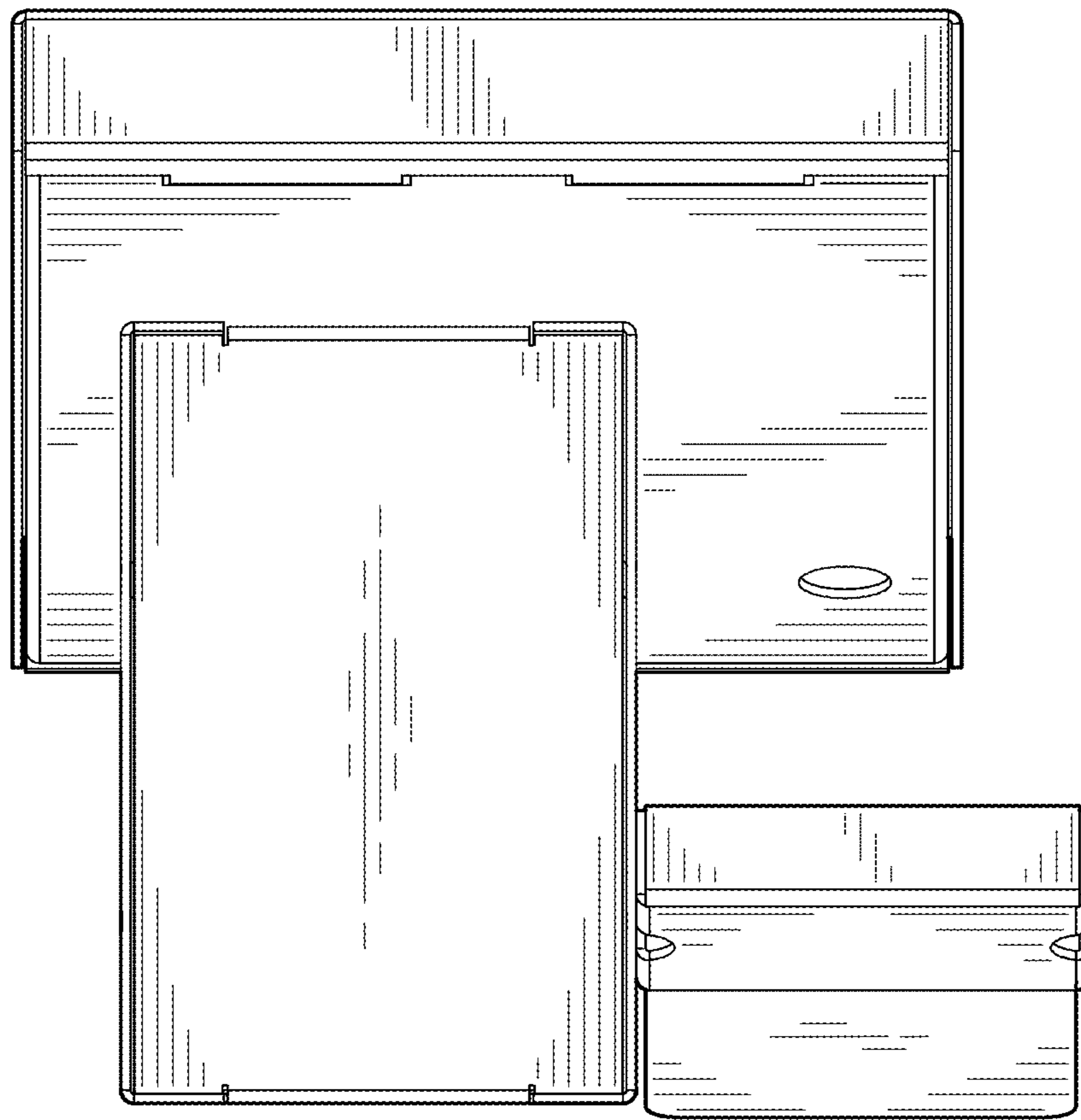


FIG. 6

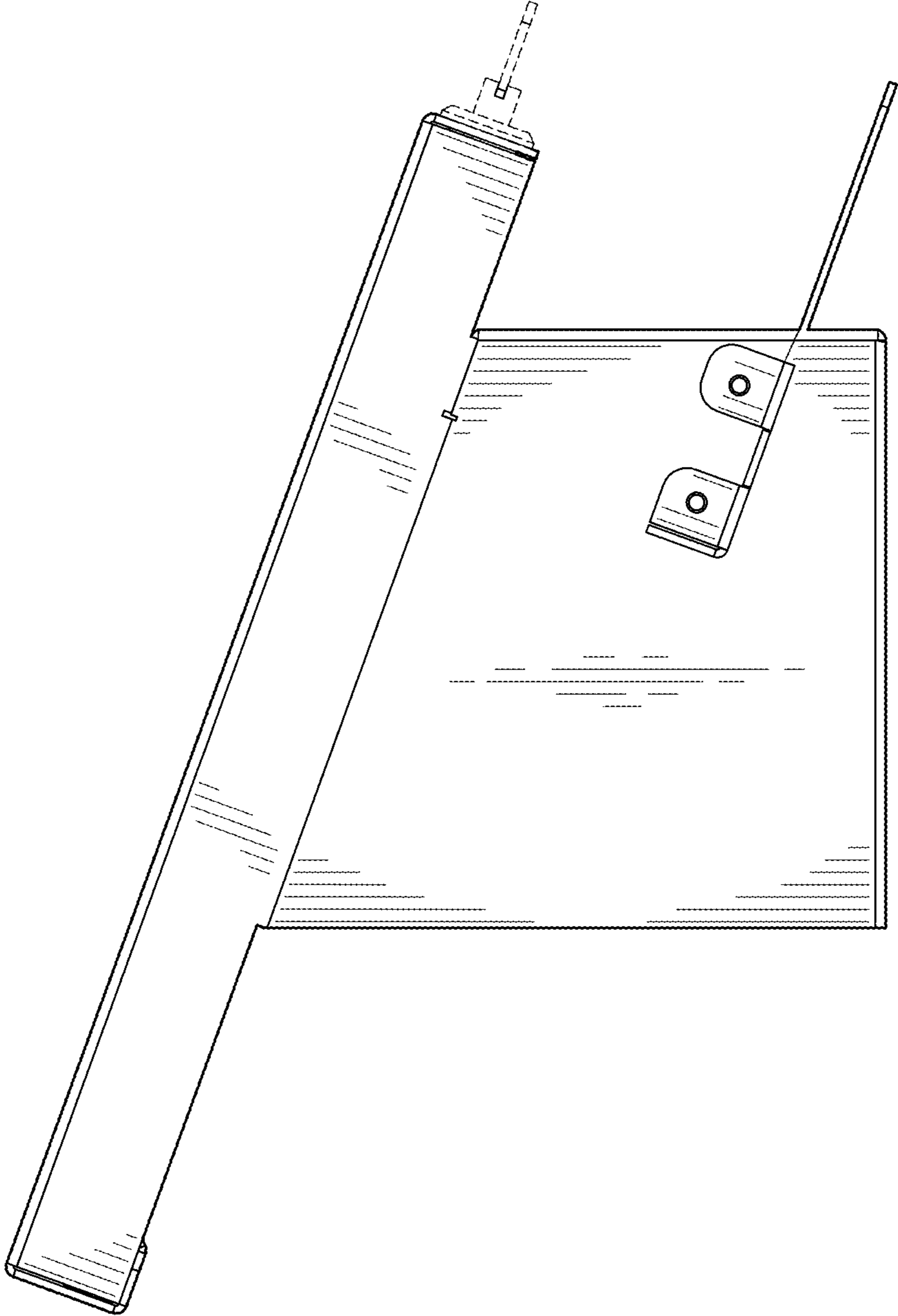


FIG. 7

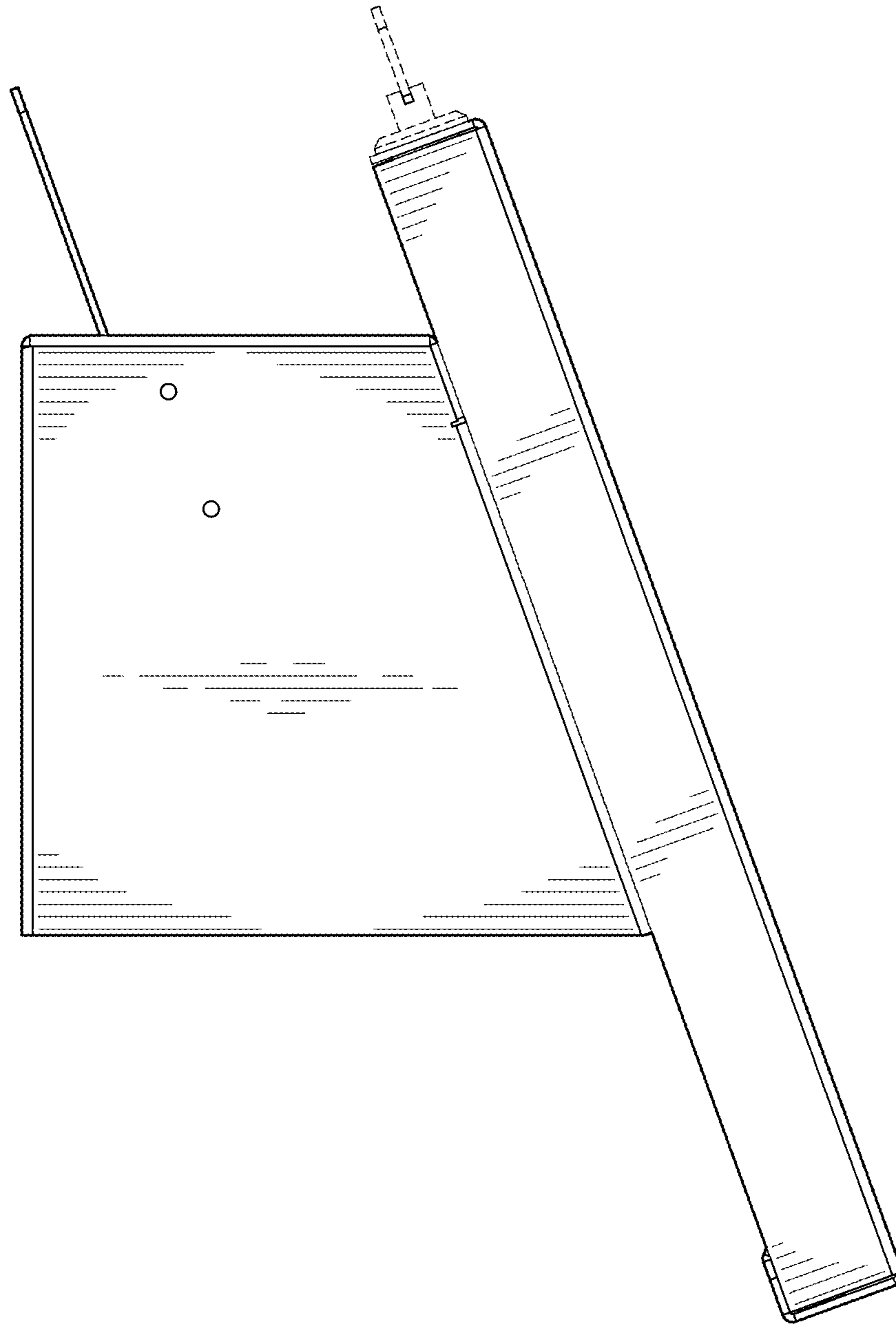


FIG. 8