



US00D777721S

(12) **United States Design Patent**
Moriya

(10) **Patent No.:** **US D777,721 S**

(45) **Date of Patent:** **** Jan. 31, 2017**

(54) **WIRELESS COMMUNICATION DEVICE
FOR AUTOMOBILE**

(71) Applicant: **JVC Kenwood Corporation,**
Kanagawa (JP)

(72) Inventor: **Katsuhiko Moriya,** Tokyo (JP)

(73) Assignee: **JVC KENWOOD CORPORATION,**
Kanagawa (JP)

(**) Term: **14 Years**

(21) Appl. No.: **29/502,885**

(22) Filed: **Sep. 19, 2014**

(30) **Foreign Application Priority Data**

Jul. 23, 2014 (JP) 2014-015921

(51) **LOC (10) Cl.** **14-03**

(52) **U.S. Cl.**
USPC **D14/258**

(58) **Field of Classification Search**
USPC D12/192, 195, 415, 420; D14/496,
D14/498-506, 137, 154, 157, 168-171,
D14/188-198, 218, 257-258; 248/27.1,
248/27.3, 558; 455/347, 350
CPC B60R 11/02; B60K 37/04; B60K 37/06;
H04B 1/08; H04B 1/082
See application file for complete search history.

(56) **References Cited**

U.S. PATENT DOCUMENTS

D388,438 S * 12/1997 Tokiyama D14/258
D389,841 S * 1/1998 Tokiyama D14/258

D531,163 S * 10/2006 Kaner D14/188
D571,780 S * 6/2008 Tan D14/188
D583,371 S * 12/2008 Yamamoto D14/258
D608,340 S * 1/2010 Nishizawa D14/188
D608,341 S * 1/2010 Nakagawa D14/188
D658,645 S * 5/2012 Sugita D14/258
D678,265 S * 3/2013 Tran D14/258
D678,266 S * 3/2013 Tran D14/258

* cited by examiner

Primary Examiner — Sandra Morris

(74) *Attorney, Agent, or Firm* — Osha Liang LLP

(57) **CLAIM**

The ornamental design for a wireless communication device for automobile, as shown and described.

DESCRIPTION

FIG. 1 is a perspective view of front, top and right side of a wireless communication device for automobile showing my new design;

FIG. 2 is a front view thereof;

FIG. 3 is a rear view thereof;

FIG. 4 is a left side view thereof;

FIG. 5 is a right side view thereof;

FIG. 6 is a top view thereof; and,

FIG. 7 is a bottom view thereof.

The broken lines shown are included for the purpose of illustrating the unclaimed portions of a wireless communication device for automobile and form no part of the claimed design.

1 Claim, 7 Drawing Sheets

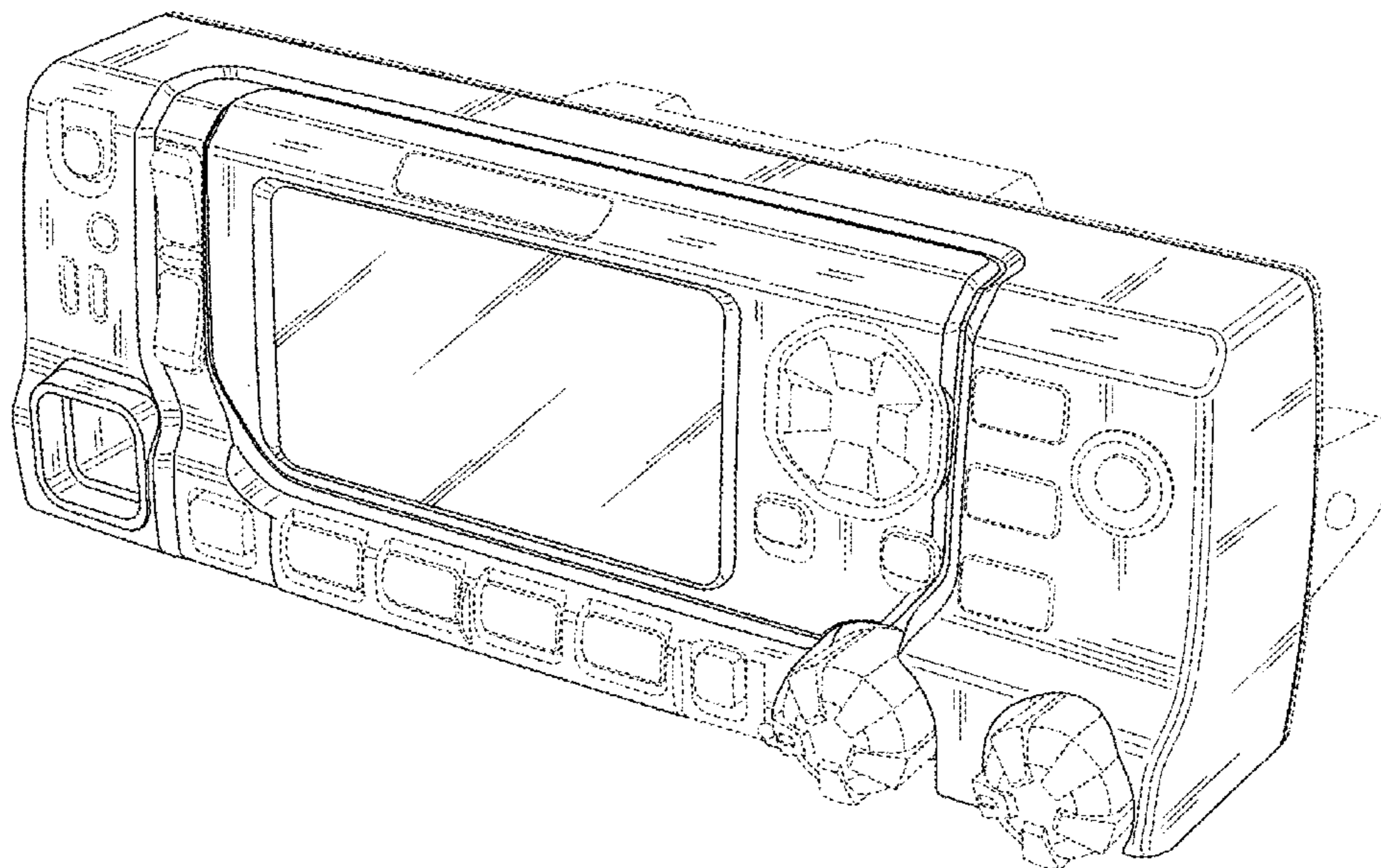


Fig. 1

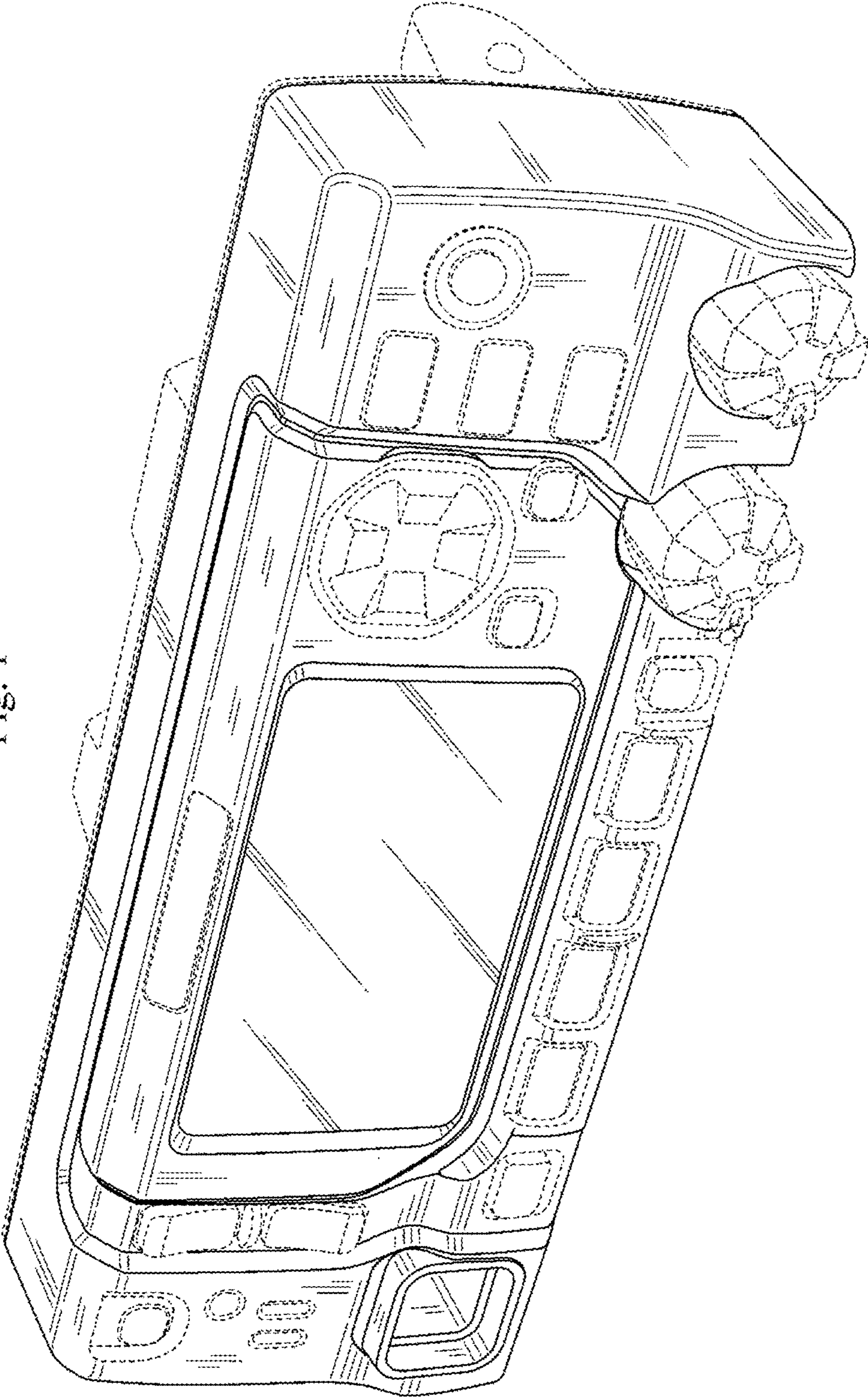


Fig. 2

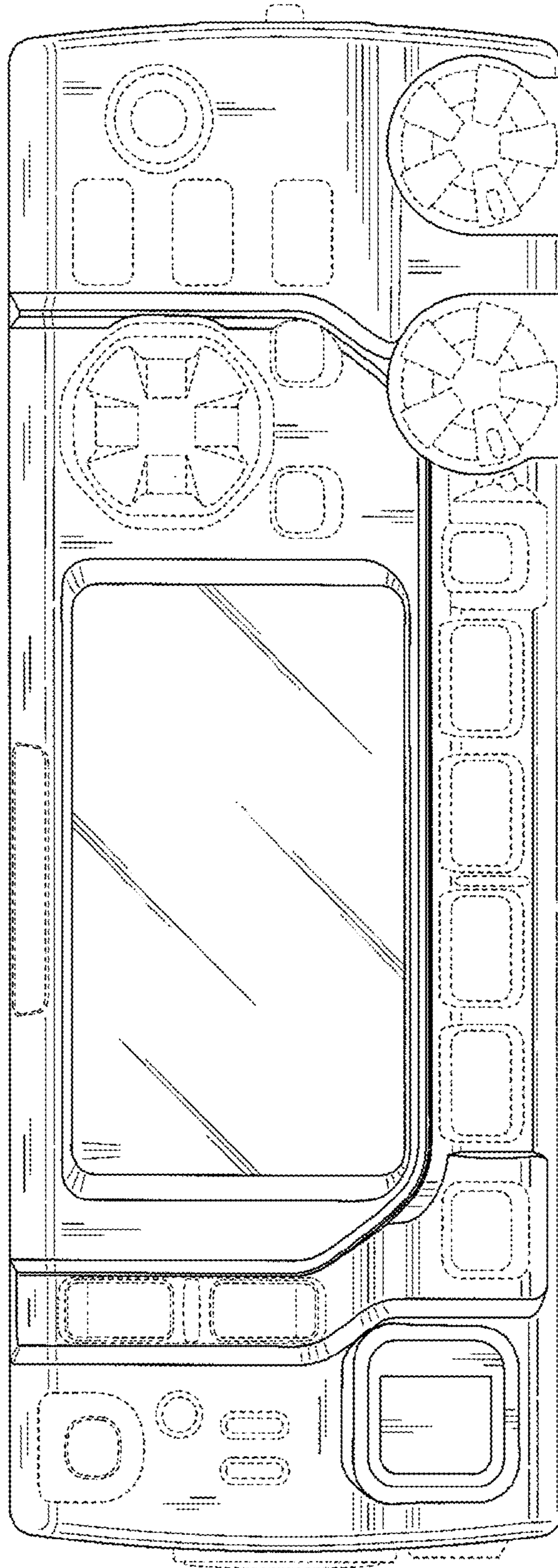


Fig. 3

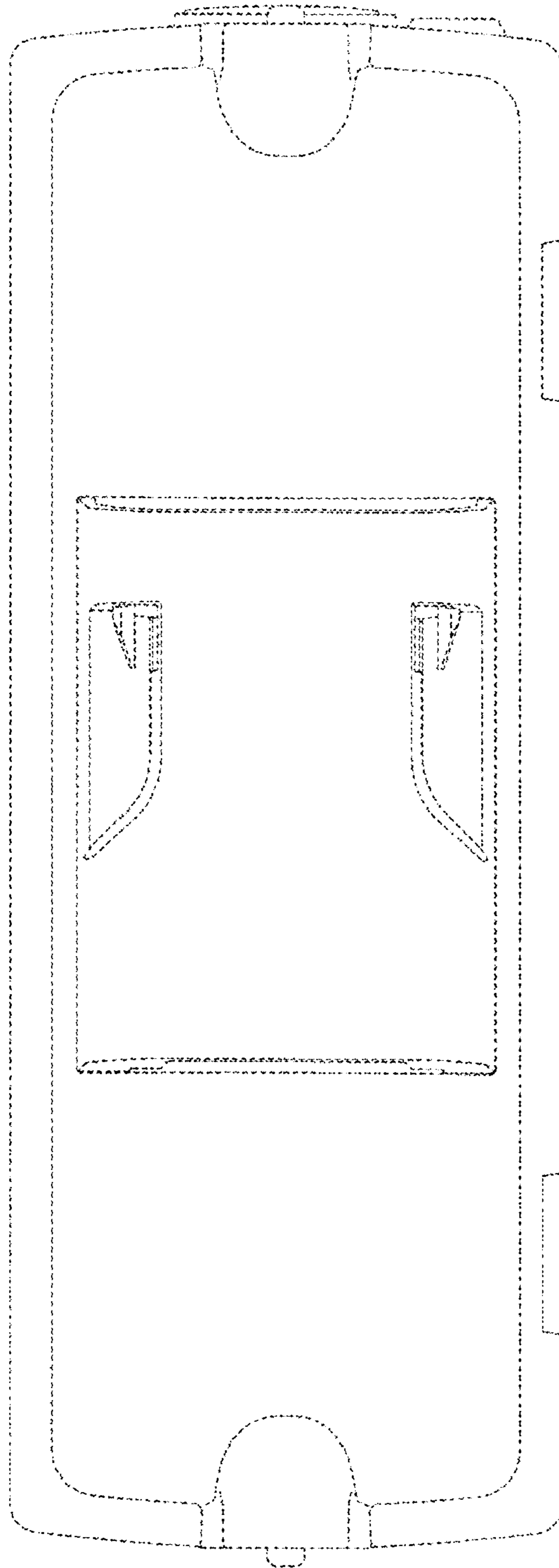


Fig. 4

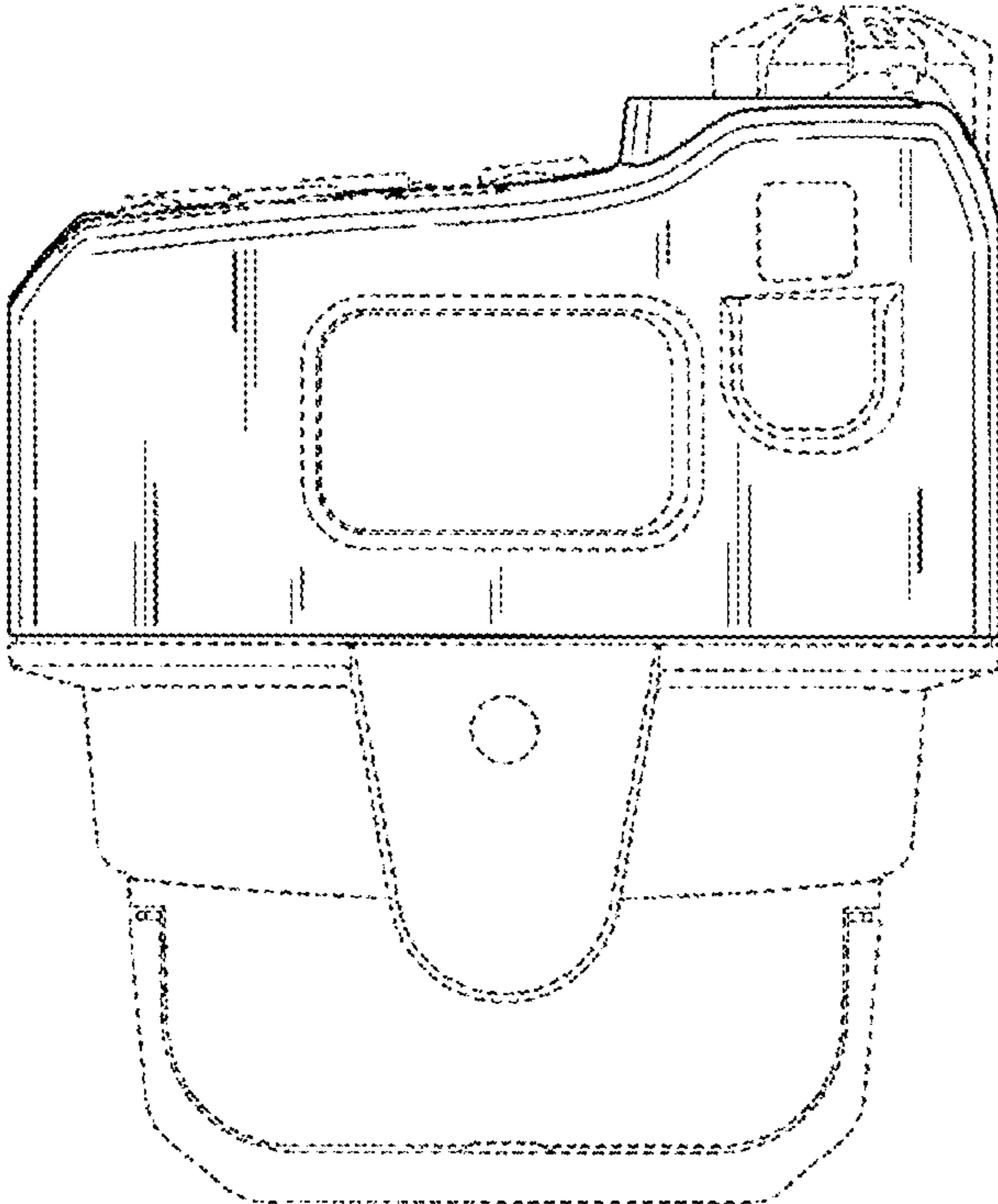


Fig. 5

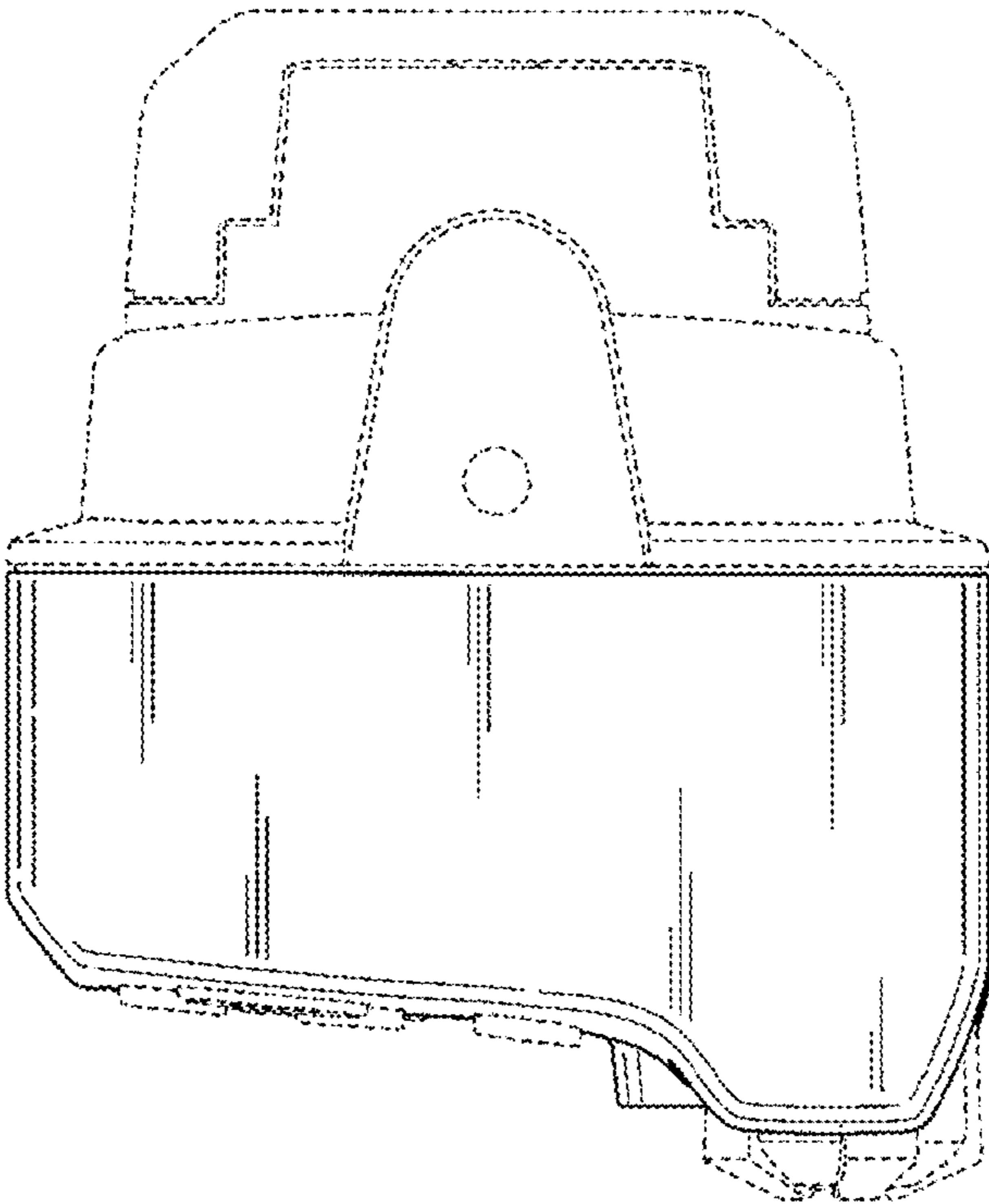


Fig. 6

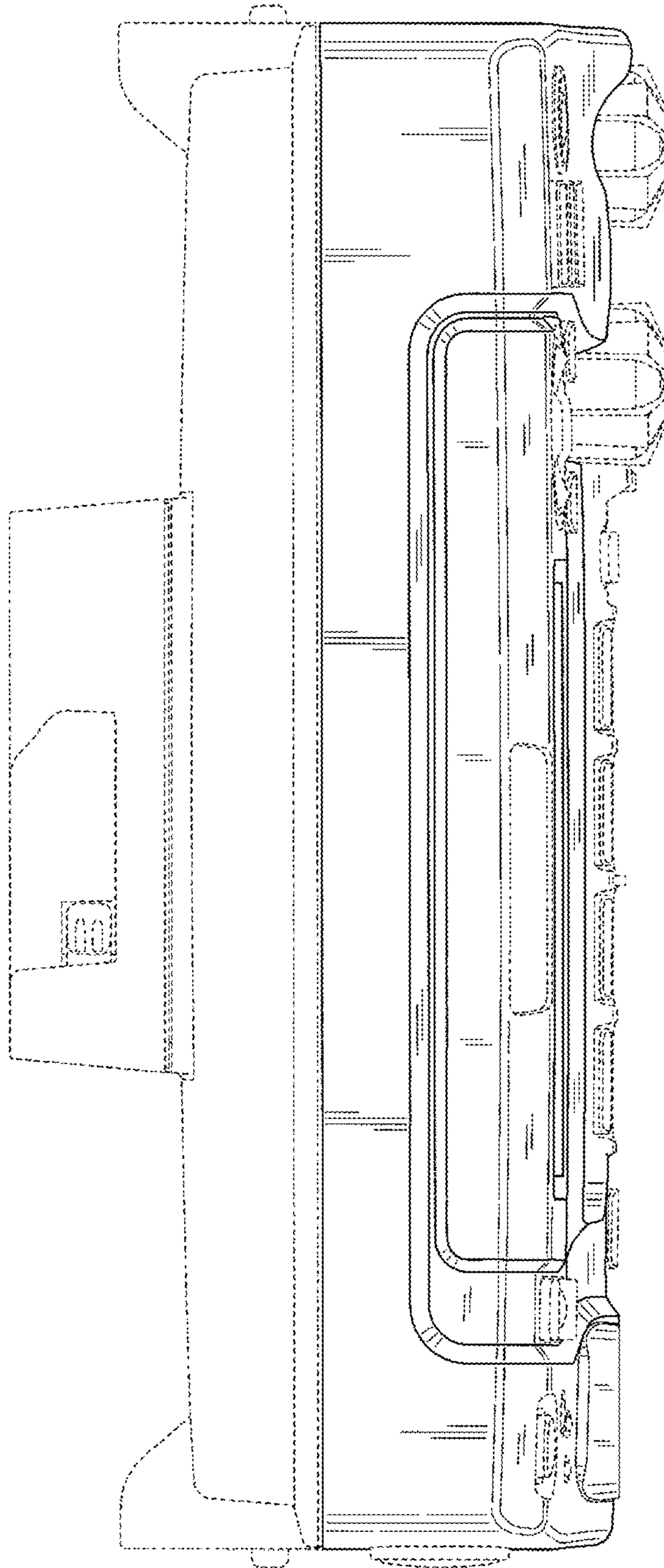


Fig. 7

