



US00D777720S

(12) **United States Design Patent**
Russell

(10) **Patent No.:** **US D777,720 S**

(45) **Date of Patent:** **** Jan. 31, 2017**

(54) **PHONE MOUNT**

(71) Applicant: **Robert Russell**, Sikeston, MO (US)

(72) Inventor: **Robert Russell**, Sikeston, MO (US)

(**) Term: **14 Years**

(21) Appl. No.: **29/507,909**

(22) Filed: **Oct. 31, 2014**

(51) **LOC (10) Cl.** **14-03**

(52) **U.S. Cl.**
USPC **D14/253**

(58) **Field of Classification Search**
USPC D14/253, 251, 240, 217, 496, 440, 423,
D14/447, 439, 432, 300; D8/381, 323
CPC H04M 1/00; H04M 1/04; H04M 1/06;
H04M 1/11
See application file for complete search history.

(56) **References Cited**

U.S. PATENT DOCUMENTS

2,933,992	A	4/1960	Bushnell et al.	
3,940,777	A	2/1976	Komine	
4,013,339	A	3/1977	Ando et al.	
4,078,864	A	3/1978	Howell	
4,290,219	A	9/1981	Boller et al.	
4,409,475	A	10/1983	Zehnpfennig	
4,815,822	A	3/1989	Bramhall	
5,026,158	A	6/1991	Golubic	
6,019,326	A	2/2000	Baerwolf et al.	
6,819,495	B2	11/2004	Shani et al.	
7,121,036	B1	10/2006	Florence et al.	
7,194,204	B2	3/2007	Gordon	
7,333,270	B1	2/2008	Pochapsky et al.	
7,369,302	B2	5/2008	Gaber	
D603,322	S *	11/2009	Nicieja	D12/415
7,614,805	B2	11/2009	Showalter	
7,739,822	B1	6/2010	Holmberg	
7,891,131	B2	2/2011	Holmberg	
8,656,624	B2	2/2014	Holmberg	

D705,211	S *	5/2014	Huang	D14/253
D709,066	S *	7/2014	Byun	D14/253
D713,398	S *	9/2014	Alesi	D14/253
D715,790	S *	10/2014	Conomos	D14/253
D718,298	S *	11/2014	Aspinall	D14/253
D727,333	S *	4/2015	Shih	D14/447
D732,037	S *	6/2015	Wylie	D14/434

(Continued)

Primary Examiner — Cynthia Underwood

(74) *Attorney, Agent, or Firm* — Haugen Law Firm PLLC

(57) **CLAIM**

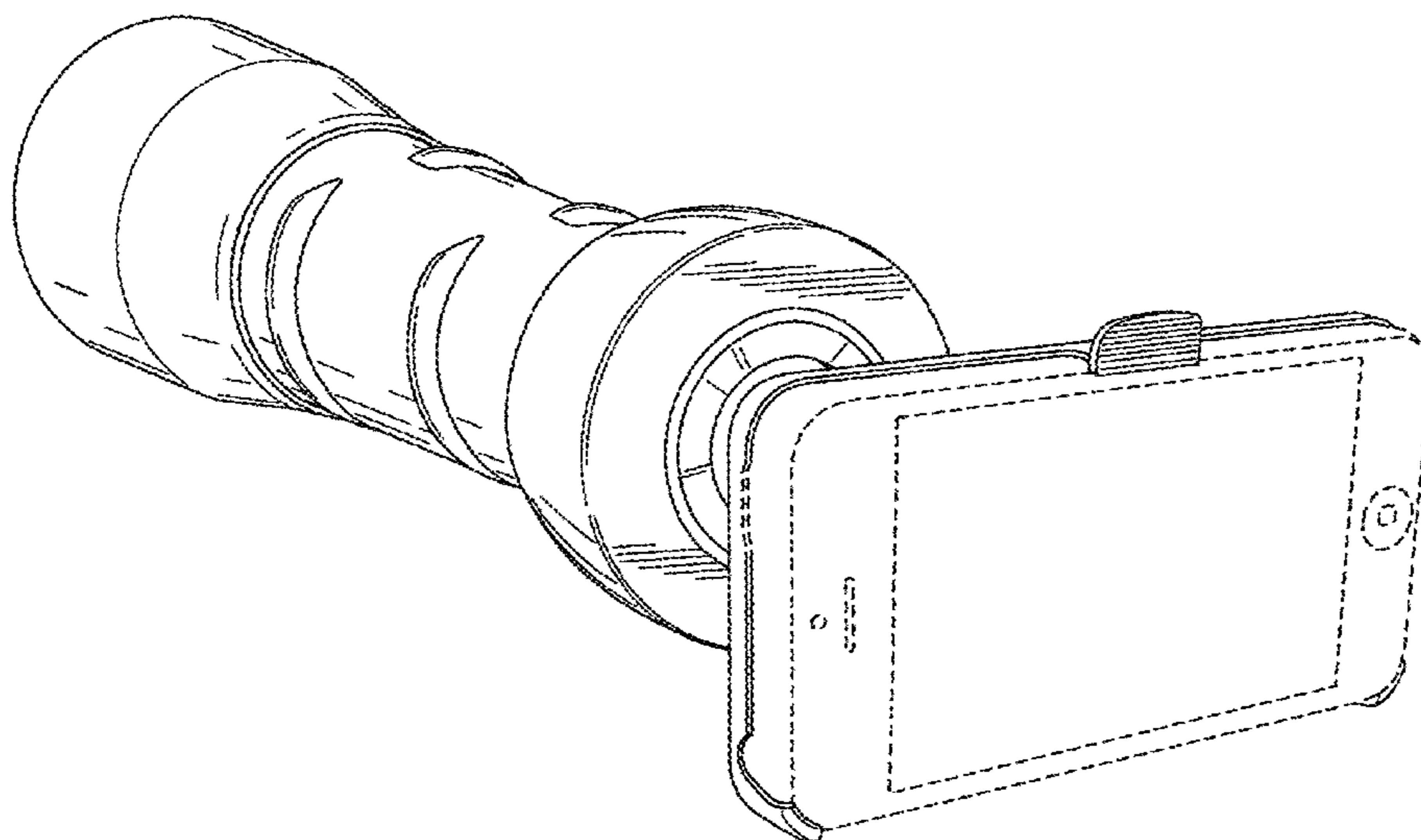
The ornamental design for a phone mount, as shown and described.

DESCRIPTION

FIG. 1 is a front, left, perspective view of the phone mount of the present invention shown in FIG. 2 and showing a phone attached thereto;
 FIG. 2 is a front, left, perspective view of the phone mount of the present invention;
 FIG. 3 is a bottom, plan view of the phone mount shown in FIG. 2;
 FIG. 4 is a top, plan view of the phone mount shown in FIG. 2;
 FIG. 5 is a left elevational view of the phone mount shown in FIG. 2;
 FIG. 6 is a right elevational view of the phone mount shown in FIG. 2;
 FIG. 7 is a front elevational view of the phone mount shown in FIG. 2; and,
 FIG. 8 is a back elevational view of the phone mount shown in FIG. 2.

The broken lines depict an environment of use wherein a phone is inserted in the phone mount of the present invention and the depiction of the phone forms no part of the claim. All other broken lines represent portions of the invention that form no part of the claim.

1 Claim, 8 Drawing Sheets



(56)

References Cited

U.S. PATENT DOCUMENTS

D733,116 S *	6/2015	Aspinall	D14/253
D738,873 S *	9/2015	Kim	D14/253
2002/0159587 A1 *	10/2002	Chang	H04M 1/04 379/454
2010/0069130 A1 *	3/2010	Wang	H04B 1/385 455/575.9
2014/0145051 A1 *	5/2014	Gwag	B60R 11/02 248/298.1
2014/0176062 A1 *	6/2014	Jung	B60R 11/02 320/108

* cited by examiner

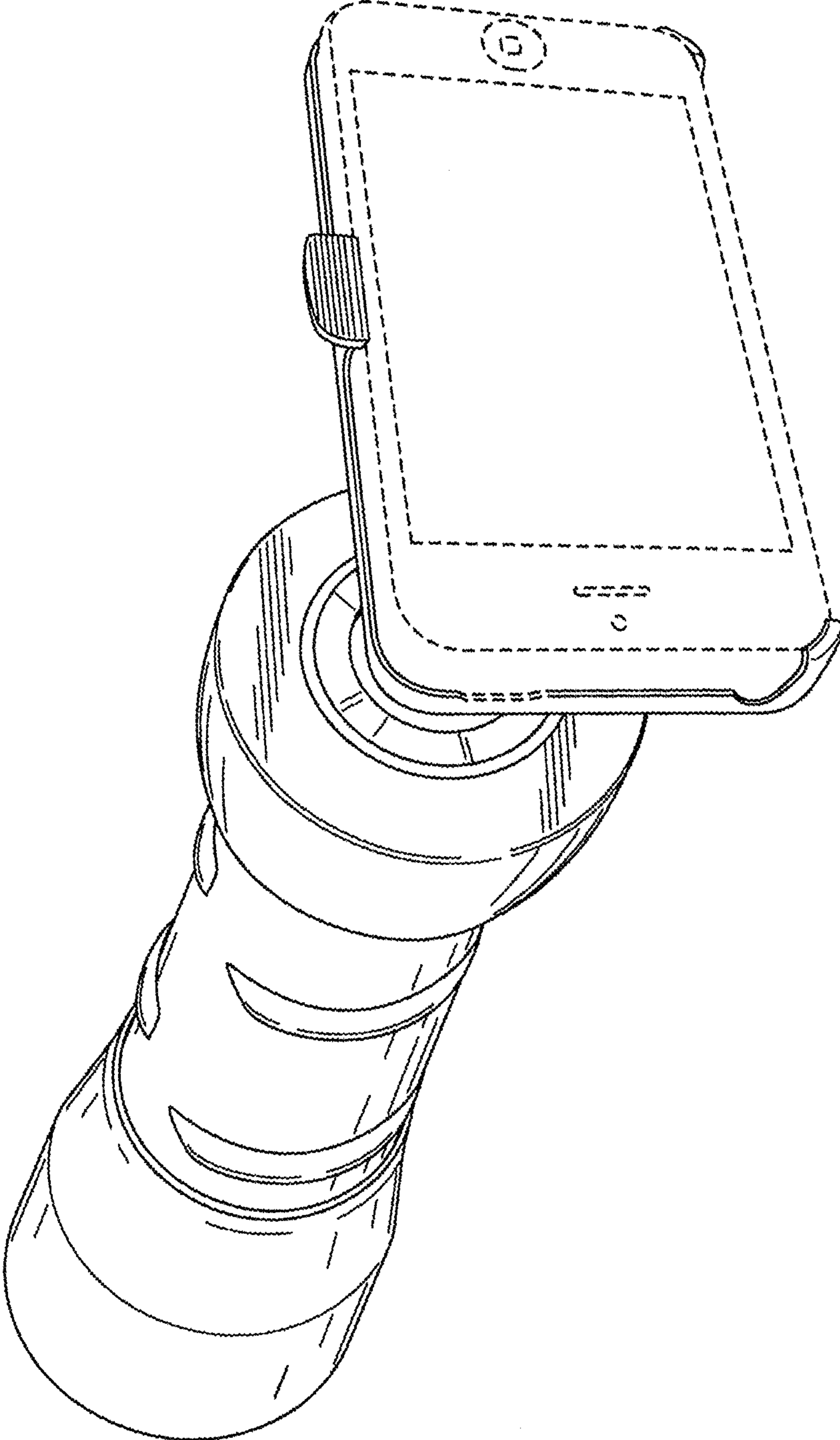


FIG. 1

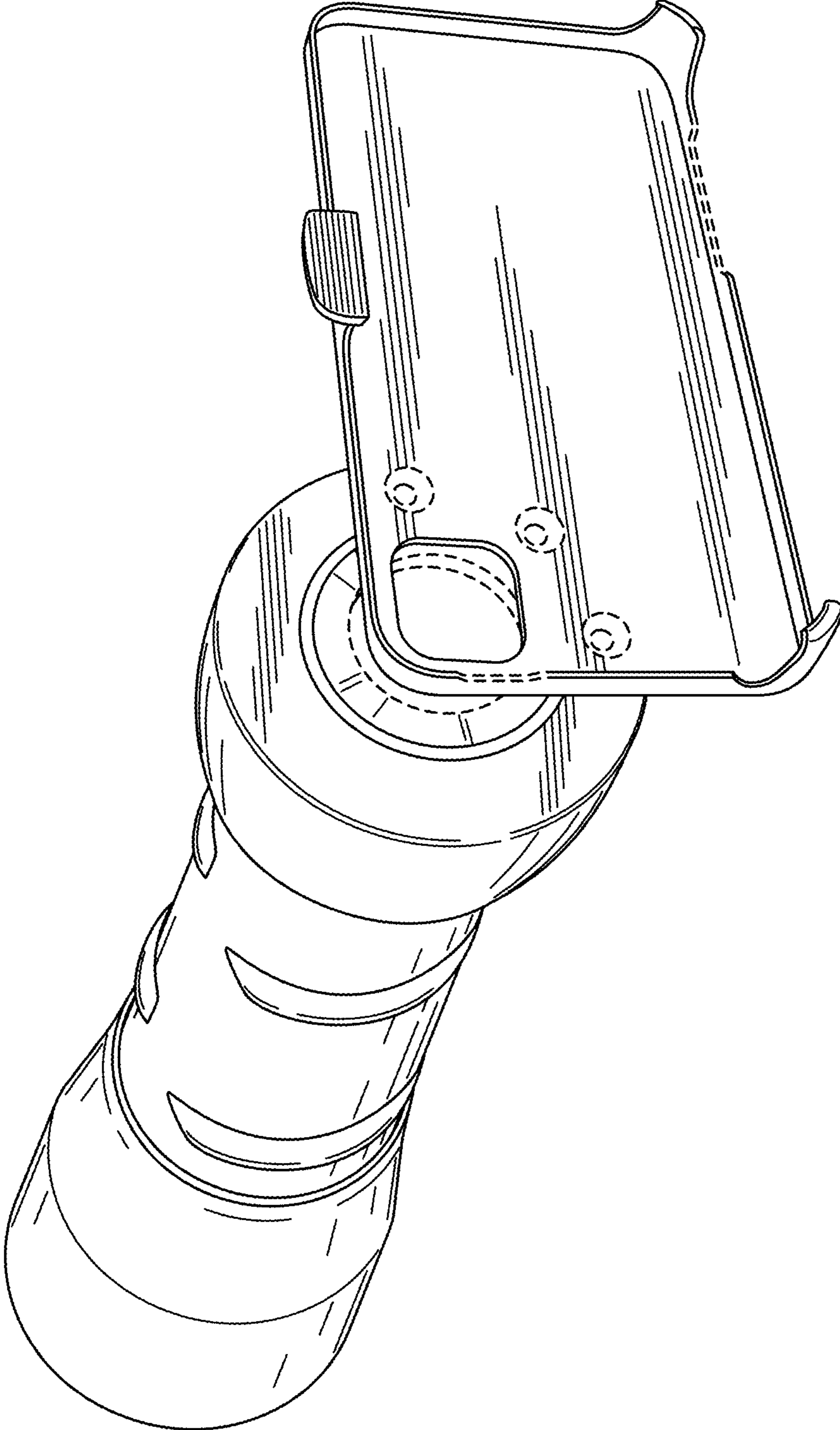


FIG. 2

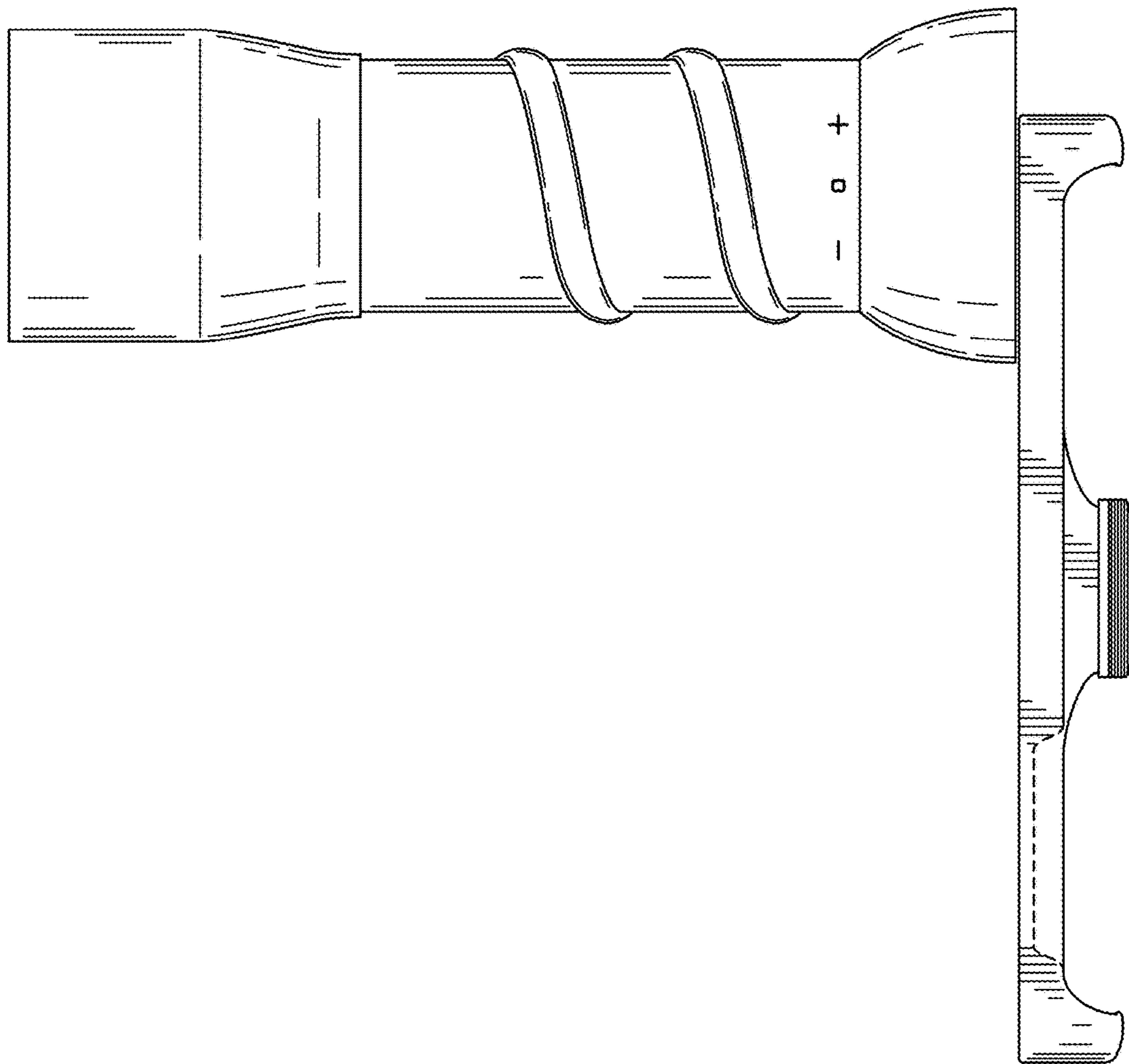


FIG. 3

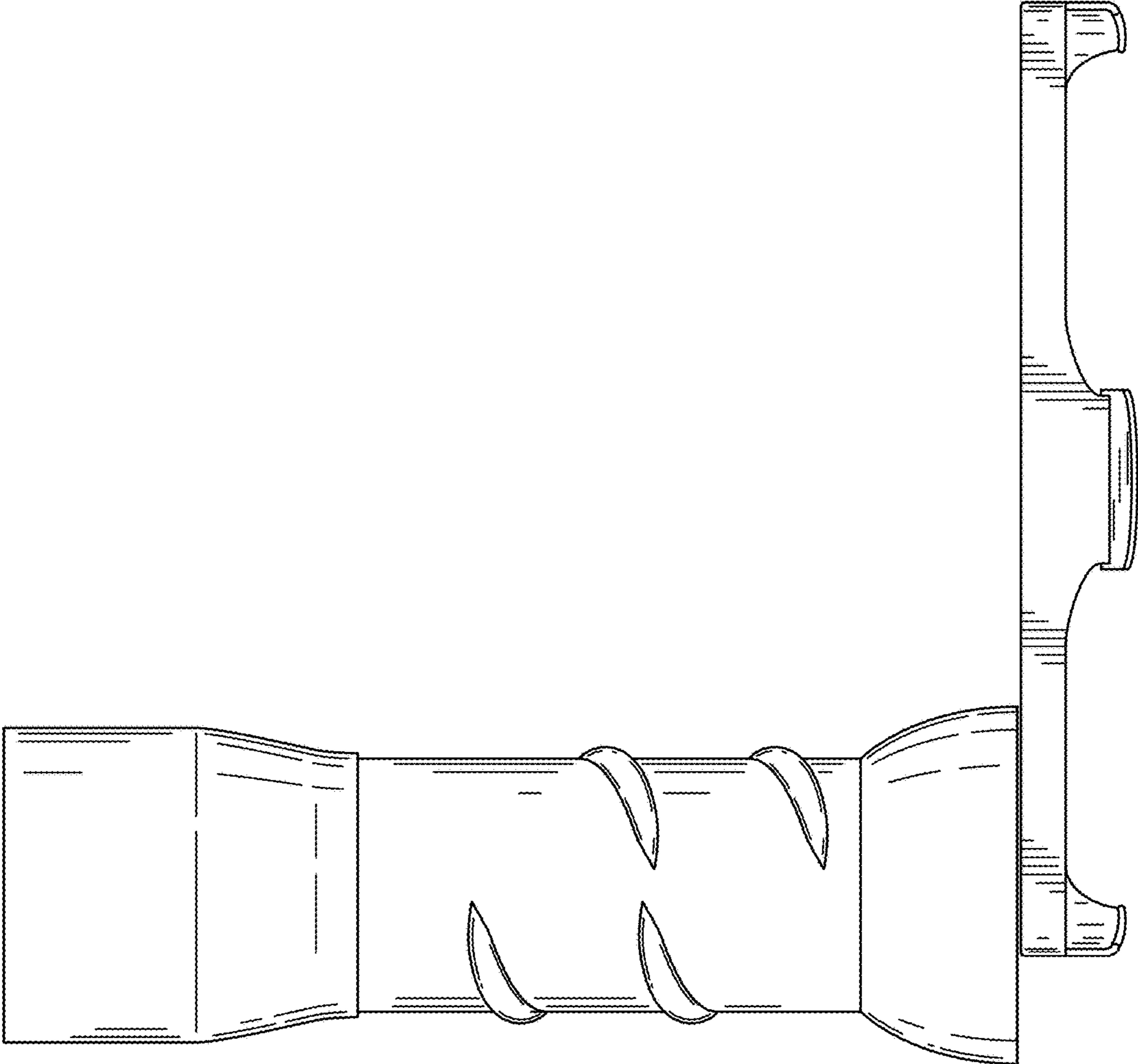


FIG. 4

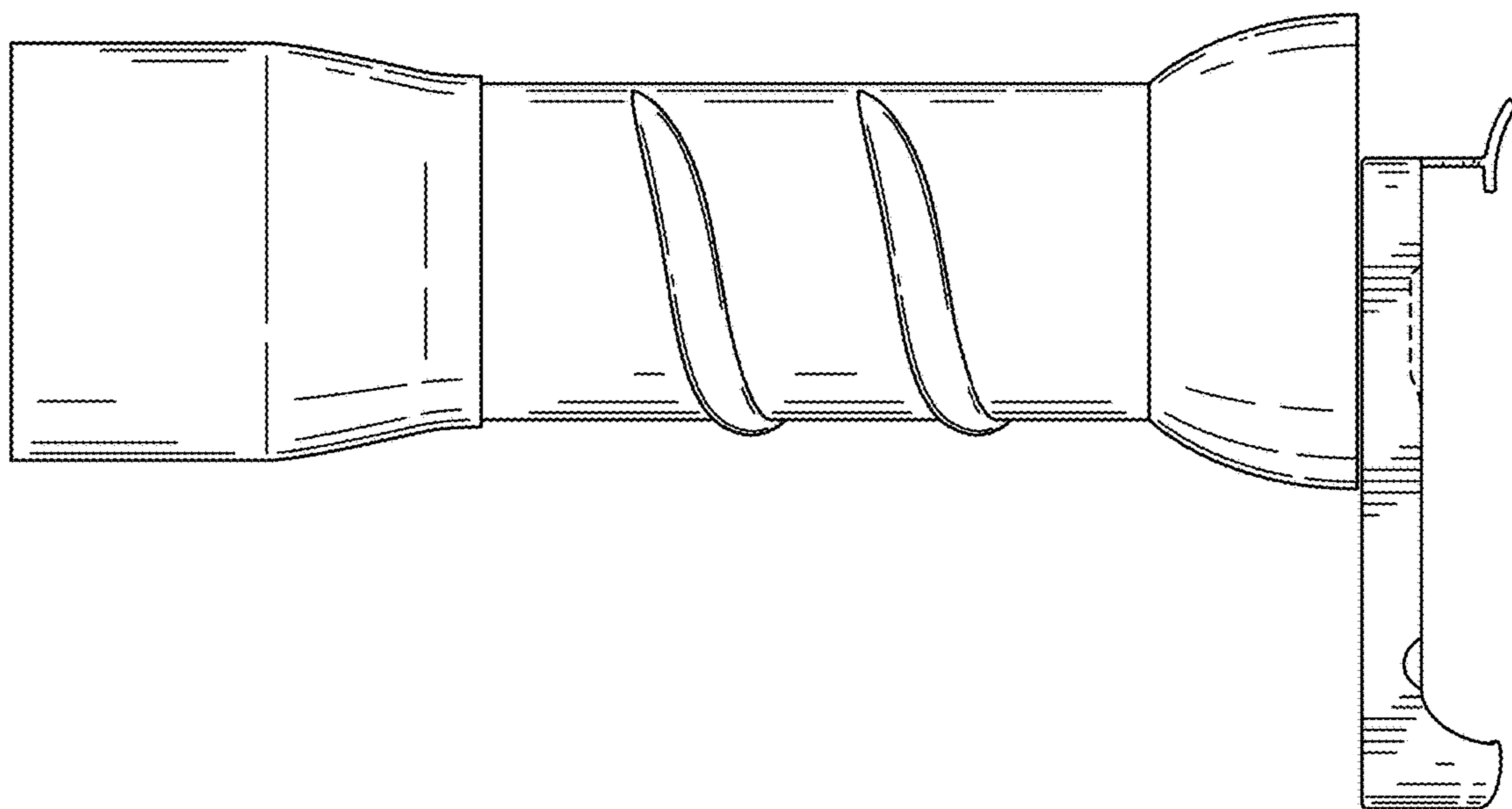


FIG. 5

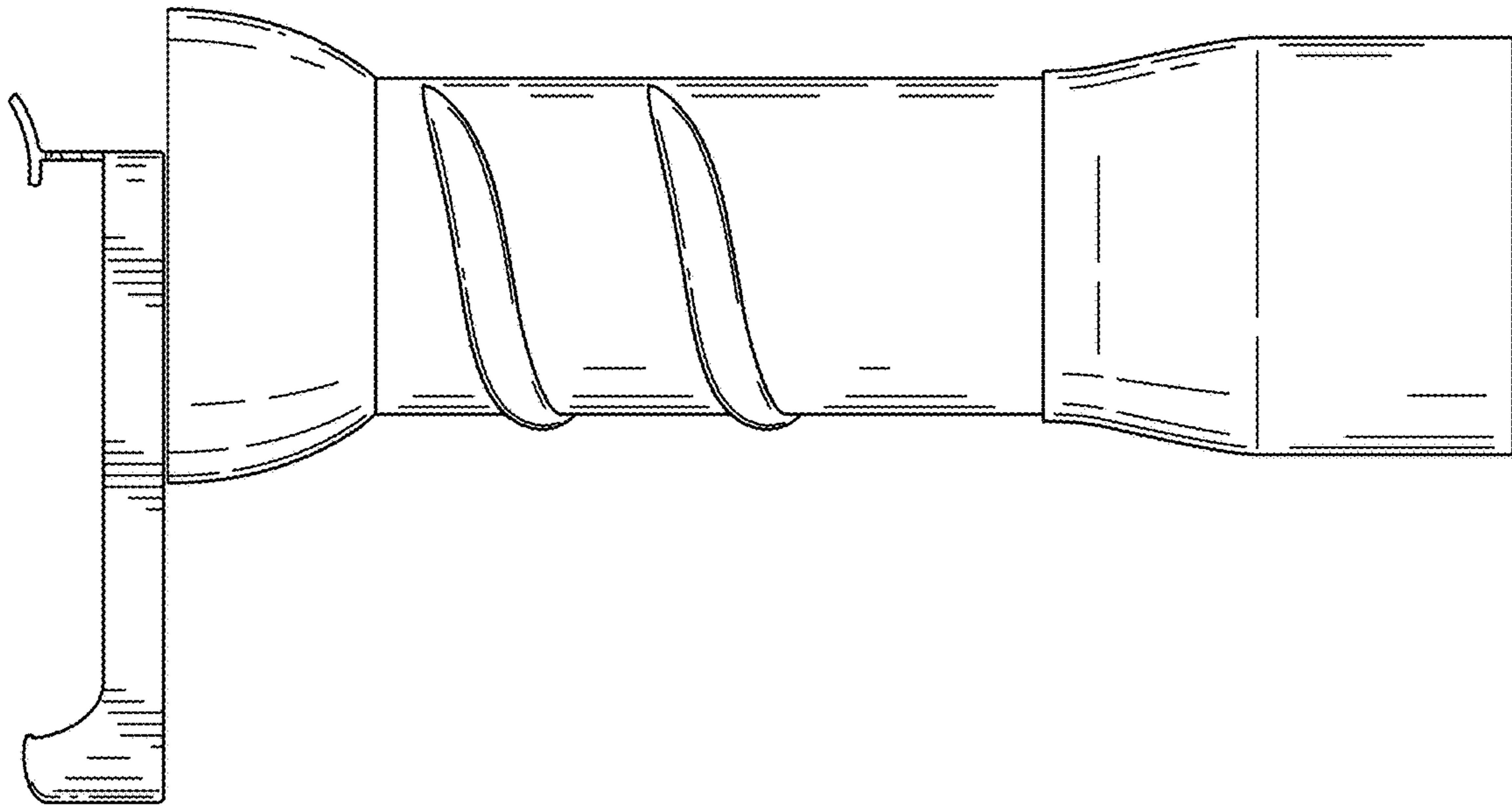


FIG. 6

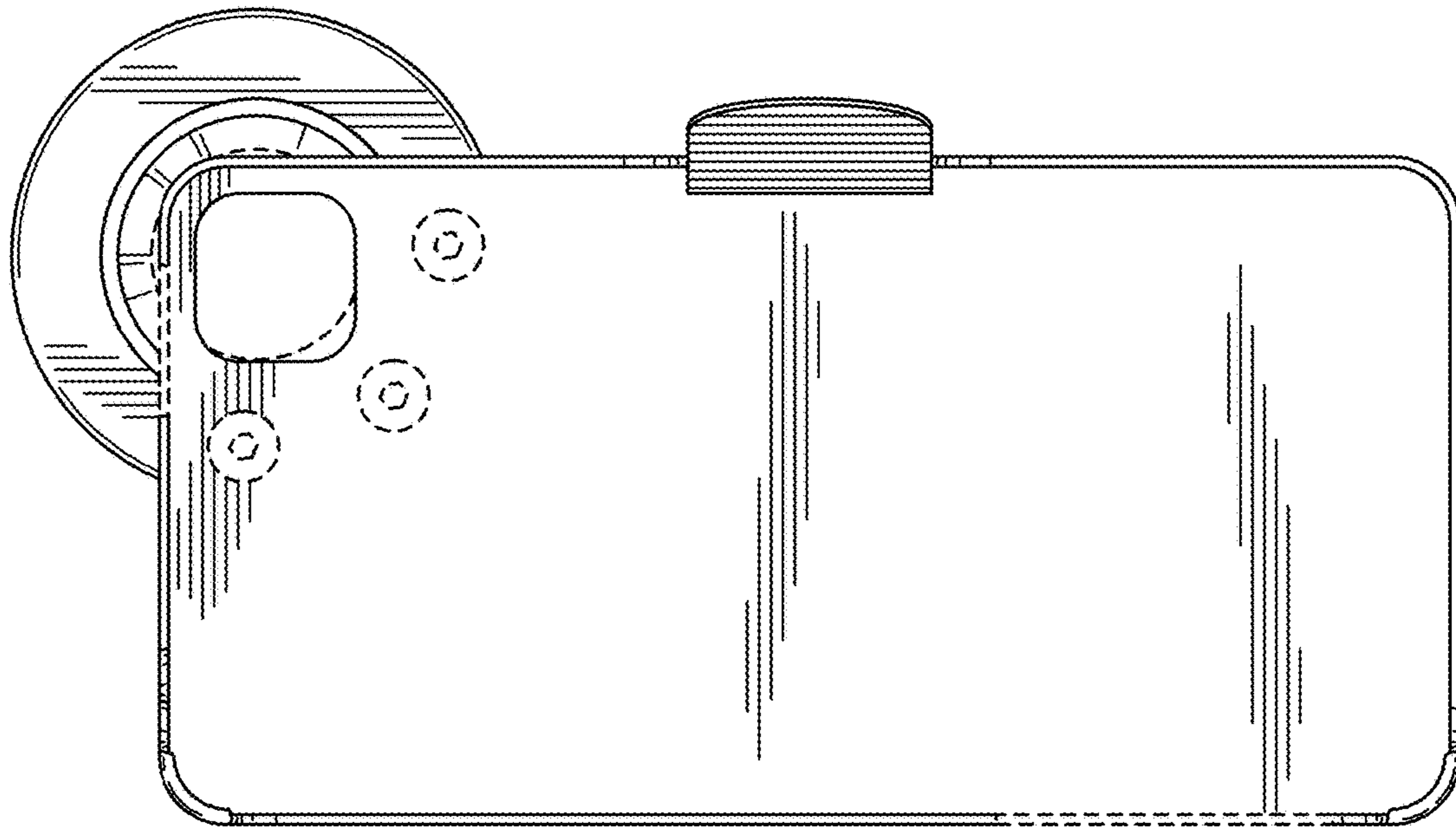


FIG. 7

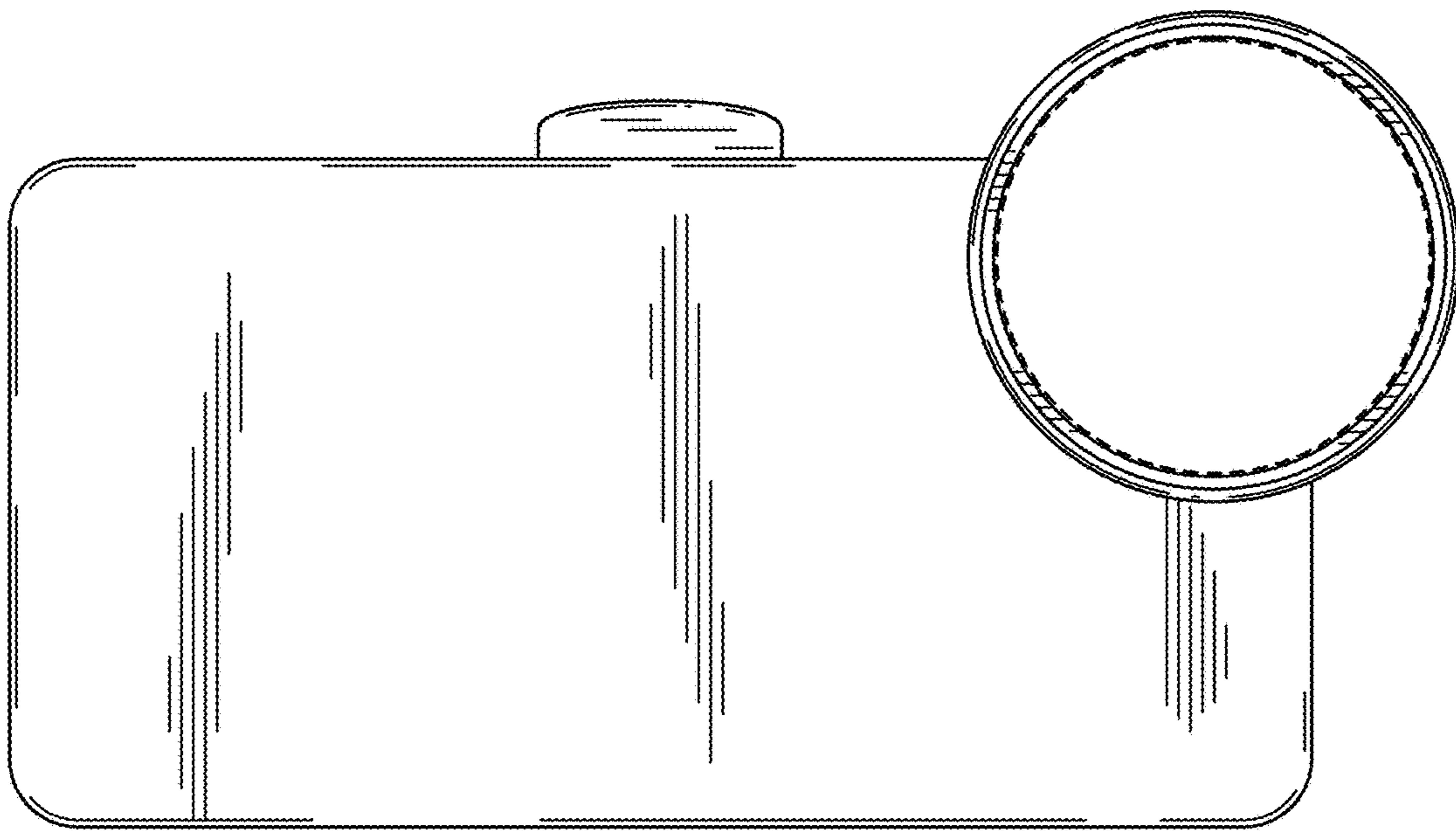


FIG. 8