



US00D777718S

(12) **United States Design Patent** (10) **Patent No.:** **US D777,718 S**
Lee et al. (45) **Date of Patent:** **** Jan. 31, 2017**

(54) **COVER FOR AN ELECTRONIC COMMUNICATIONS DEVICE**
(71) Applicant: **Samsung Electronics Co., Ltd.**, Suwon-si (KR)
(72) Inventors: **Ji Young Lee**, Seoul (KR); **Hong Gu Yeo**, Seongnam-si (KR); **Ji Hyun Ko**, Seoul (KR)
(73) Assignee: **SAMSUNG ELECTRONICS CO., LTD.**, Suwon-si (KR)
(**) Term: **14 Years**
(21) Appl. No.: **29/522,191**
(22) Filed: **Mar. 27, 2015**
(30) **Foreign Application Priority Data**
Feb. 16, 2015 (KR) 30-2015-0008483
(51) **LOC (10) Cl.** **14-03**
(52) **U.S. Cl.**
USPC **D14/250**
(58) **Field of Classification Search**
USPC D14/238.1, 440, 203.3–203.7, 217, 240, D14/248, 251–253, 447, 496, 250; D3/201, 218, 247, 269, 273, 301, 303; D13/103, 107–108, 119
CPC ... H04B 1/3888; A45C 1/06; A45C 2011/002; A45C 11/00; A45C 13/02; A45F 2005/026; A45F 2200/0525; A45F 2200/0516; H04M 1/0202; H04M 1/0283
See application file for complete search history.

(56) **References Cited**
U.S. PATENT DOCUMENTS
D414,033 S * 9/1999 Rohm D3/201
D637,589 S * 5/2011 Willes D14/250
(Continued)

Primary Examiner — Carla Jobe Wright
(74) *Attorney, Agent, or Firm* — McAndrews Held & Malloy, Ltd.

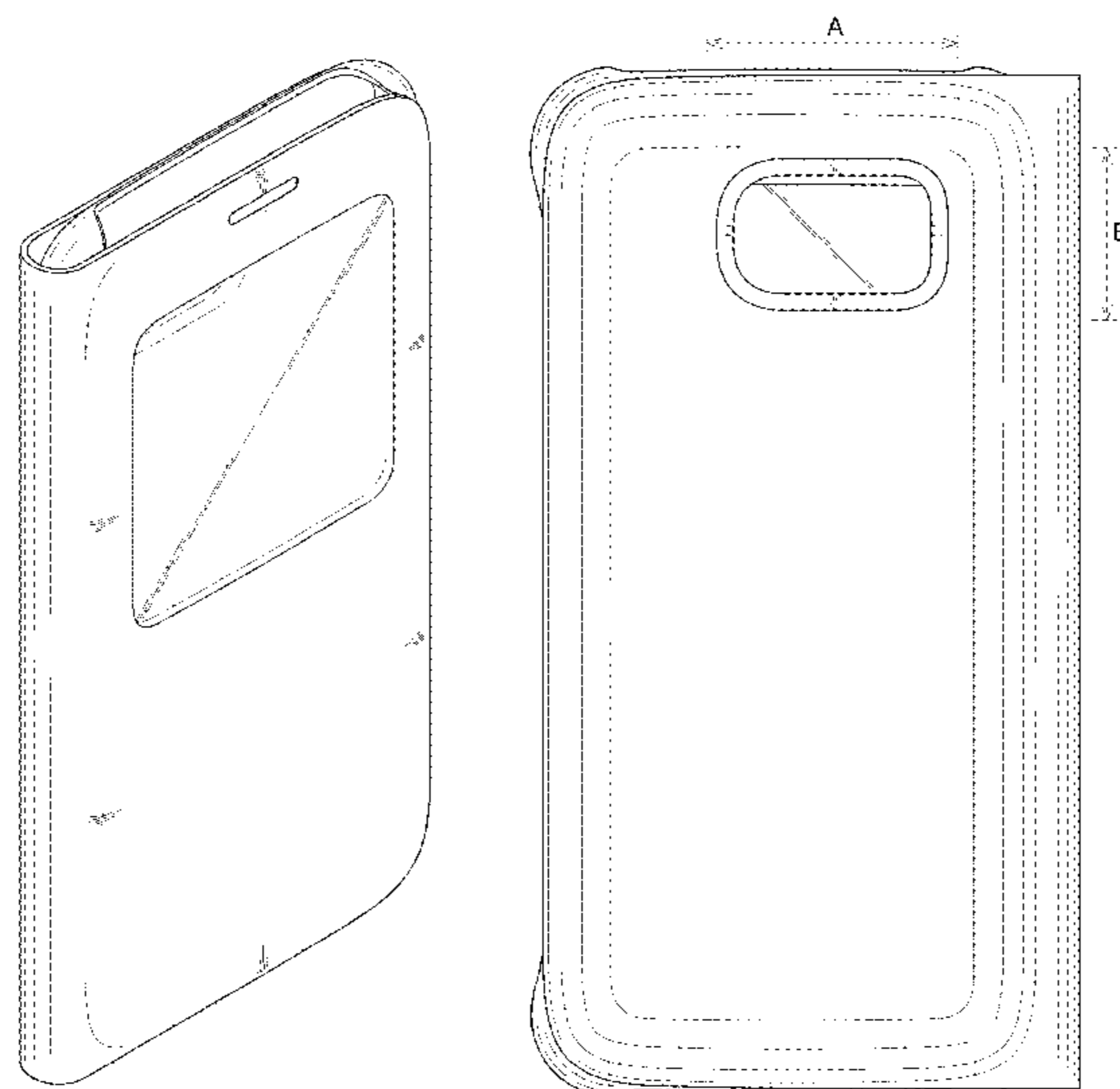
(57) **CLAIM**

The ornamental design for a cover for an electronic communications device, as shown and described.

DESCRIPTION

FIG. 1 is a top left front perspective view of a first embodiment of a cover for an electronic communications device showing our new design;
FIG. 2 is a front view thereof;
FIG. 3 is a rear view thereof;
FIG. 4 is a left-side elevation view thereof;
FIG. 5 is a right-side elevation view thereof;
FIG. 6 is a top plan view thereof;
FIG. 7 is a bottom plan view thereof;
FIG. 8 is an enlarged rear view of the area in FIG. 3 indicated by the lines A and B in FIG. 3;
FIG. 9 is an enlarged top right rear perspective view of the area in FIG. 3 indicated by the lines A and B in FIG. 3;
FIG. 10 is a top left front perspective view of a second embodiment of a cover for an electronic communications device showing our new design;
FIG. 11 is a front view thereof;
FIG. 12 is a rear view thereof;
FIG. 13 is a left-side elevation view thereof;
FIG. 14 is a right-side elevation view thereof;
FIG. 15 is a top plan view thereof; and,
FIG. 16 is a bottom plan view thereof.
The lines marked A and B in FIG. 3 indicate a portion of the first embodiment of the claimed design that is illustrated in enlargements and form no part of the claimed design.
The dot-dot-dash broken lines in FIGS. 8 and 9 delineate a portion of the first embodiment of the claimed design that is illustrated in enlargements and form no part of the claimed design.

1 Claim, 11 Drawing Sheets



(56)

References Cited

U.S. PATENT DOCUMENTS

D652,829	S *	1/2012	Kim	D14/250
D657,354	S *	4/2012	Kim	D14/250
D679,694	S *	4/2013	Fahrendorff	D14/250
D686,199	S *	7/2013	Fahrendorff	D14/250
8,490,783	B1 *	7/2013	Fan	H04M 1/185 206/45.23
D694,741	S *	12/2013	Kim	D14/250
D704,689	S *	5/2014	Chang	D14/250
D705,207	S *	5/2014	Kim	D14/250
D711,861	S *	8/2014	Mei	D14/250
D714,280	S *	9/2014	Ahn	D14/250
D714,550	S *	10/2014	Yoo	D3/269
D716,286	S *	10/2014	Ahn	D14/250
D728,552	S *	5/2015	Kim	D14/250
D744,493	S *	12/2015	Kim	D14/440
9,206,630	B2 *	12/2015	Kim	E05C 19/16
D747,705	S *	1/2016	Kim	D14/250
D750,608	S *	3/2016	Kim	D14/250
D755,769	S *	5/2016	Kim	D14/250
D763,839	S *	8/2016	Shin	D14/250
2011/0290687	A1 *	12/2011	Han	A45C 3/02 206/320
2012/0043234	A1 *	2/2012	Westrup	A45C 3/02 206/320
2012/0085679	A1 *	4/2012	Kim	A45C 3/001 206/736
2016/0070407	A1 *	3/2016	Jeon	G06F 1/1626 345/173

* cited by examiner

FIG. 1

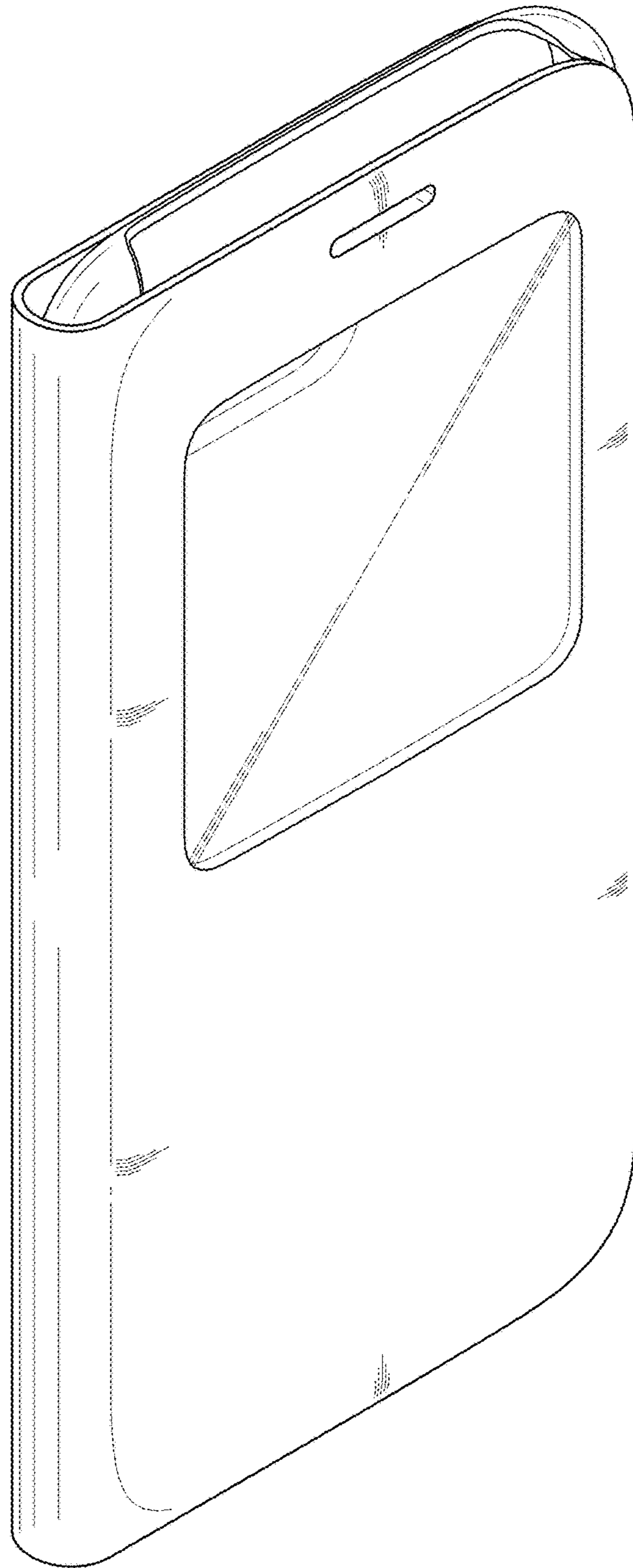


FIG.2

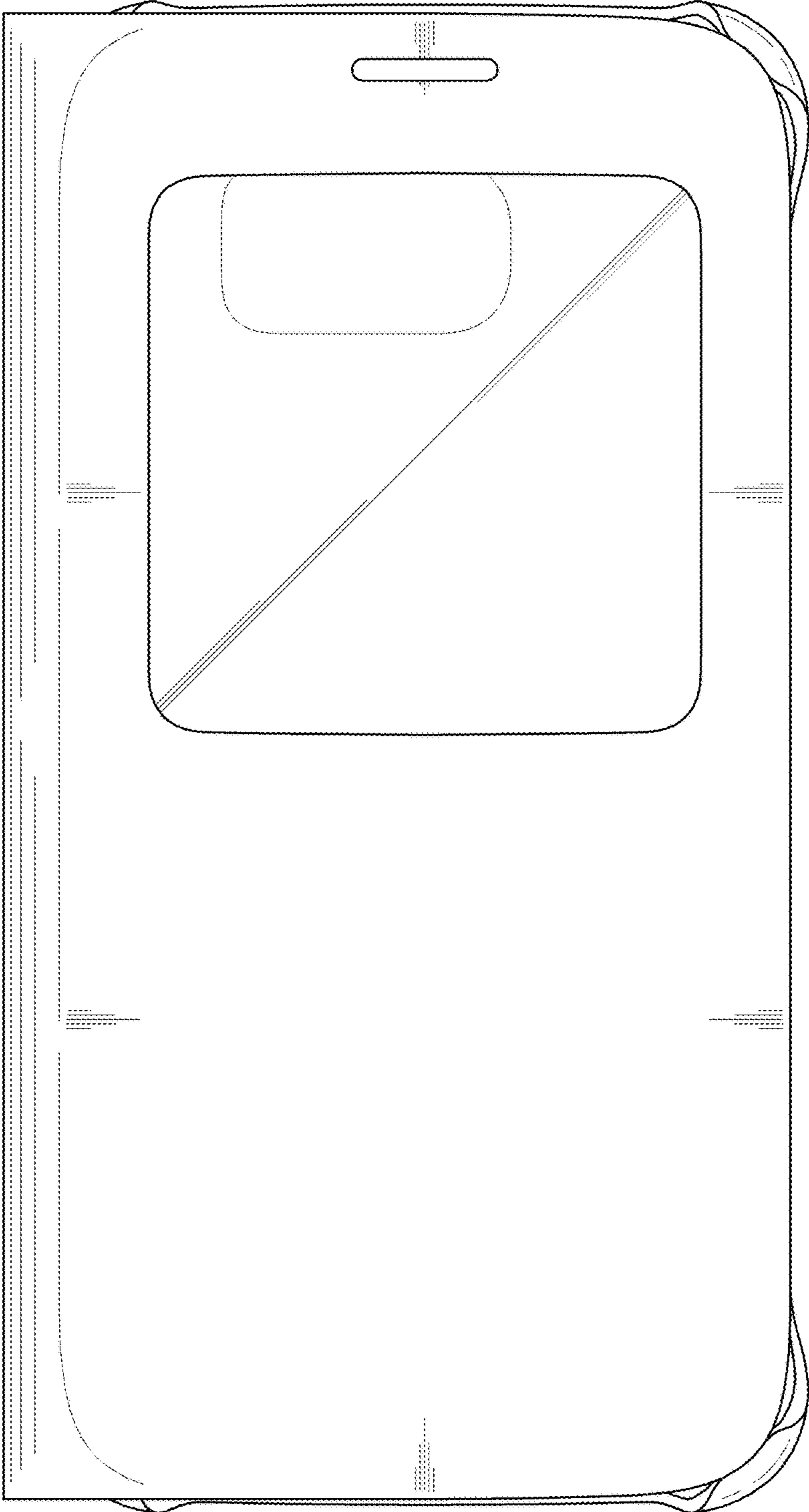


FIG.3

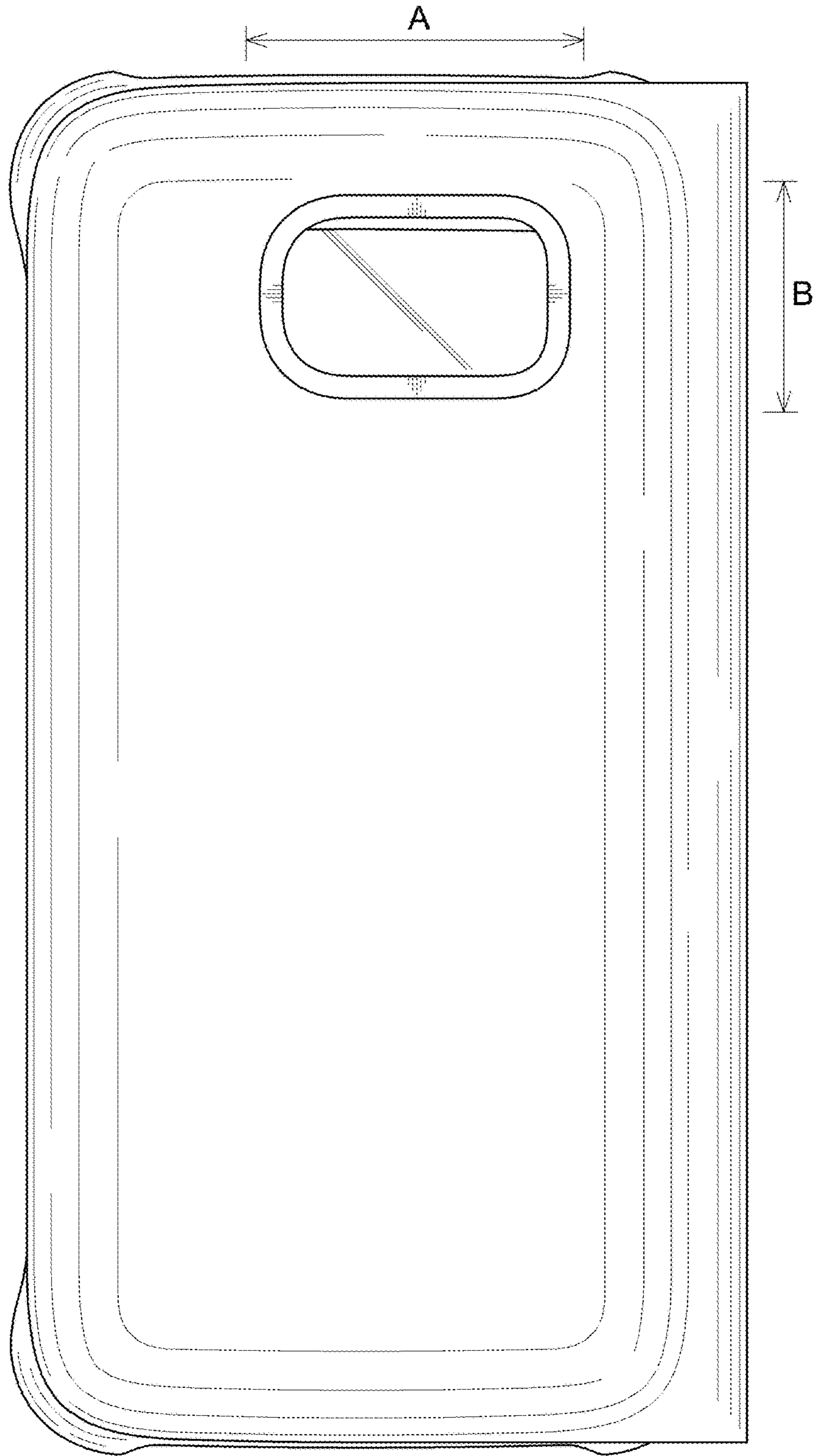


FIG.4

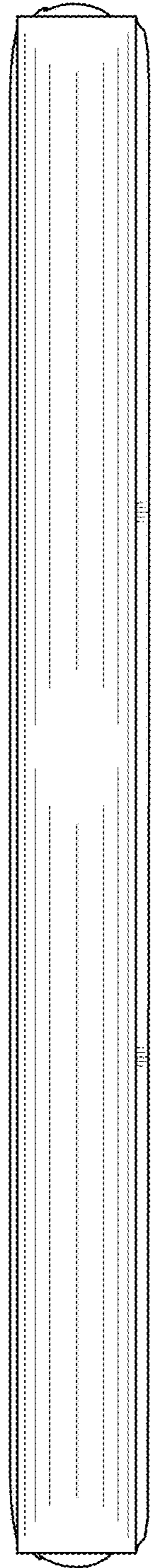


FIG.5

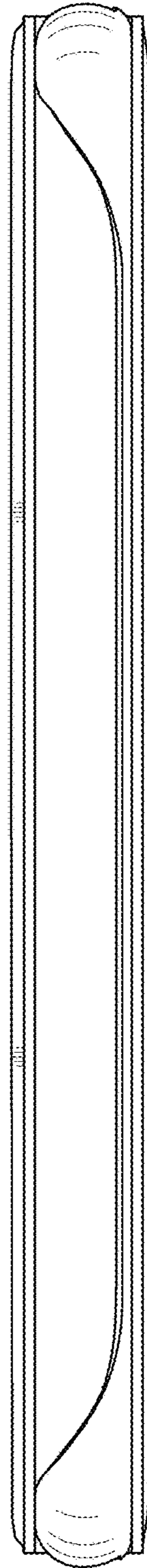


FIG.6

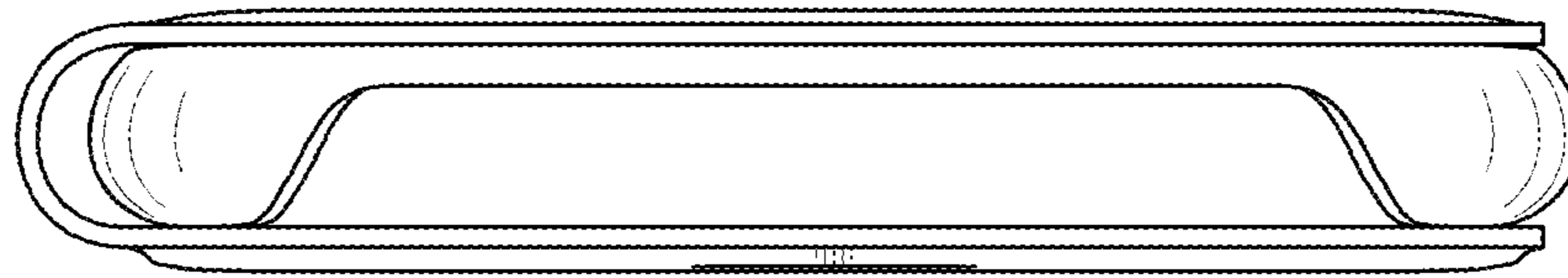


FIG.7

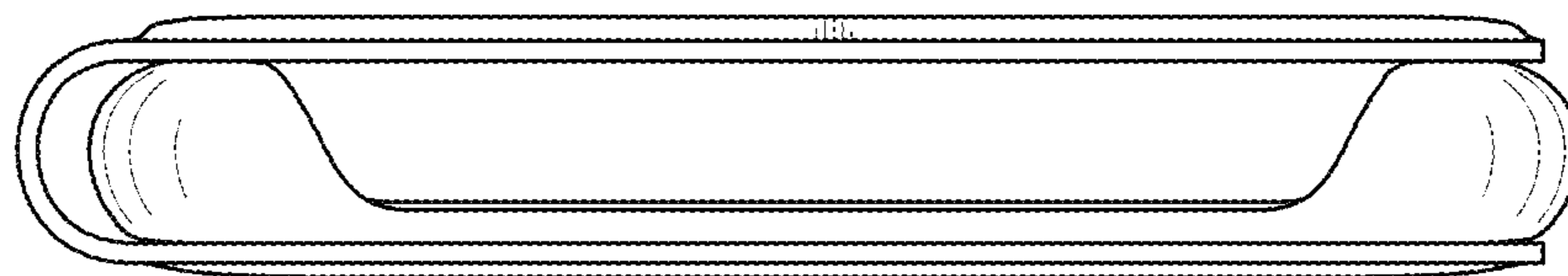


FIG.8

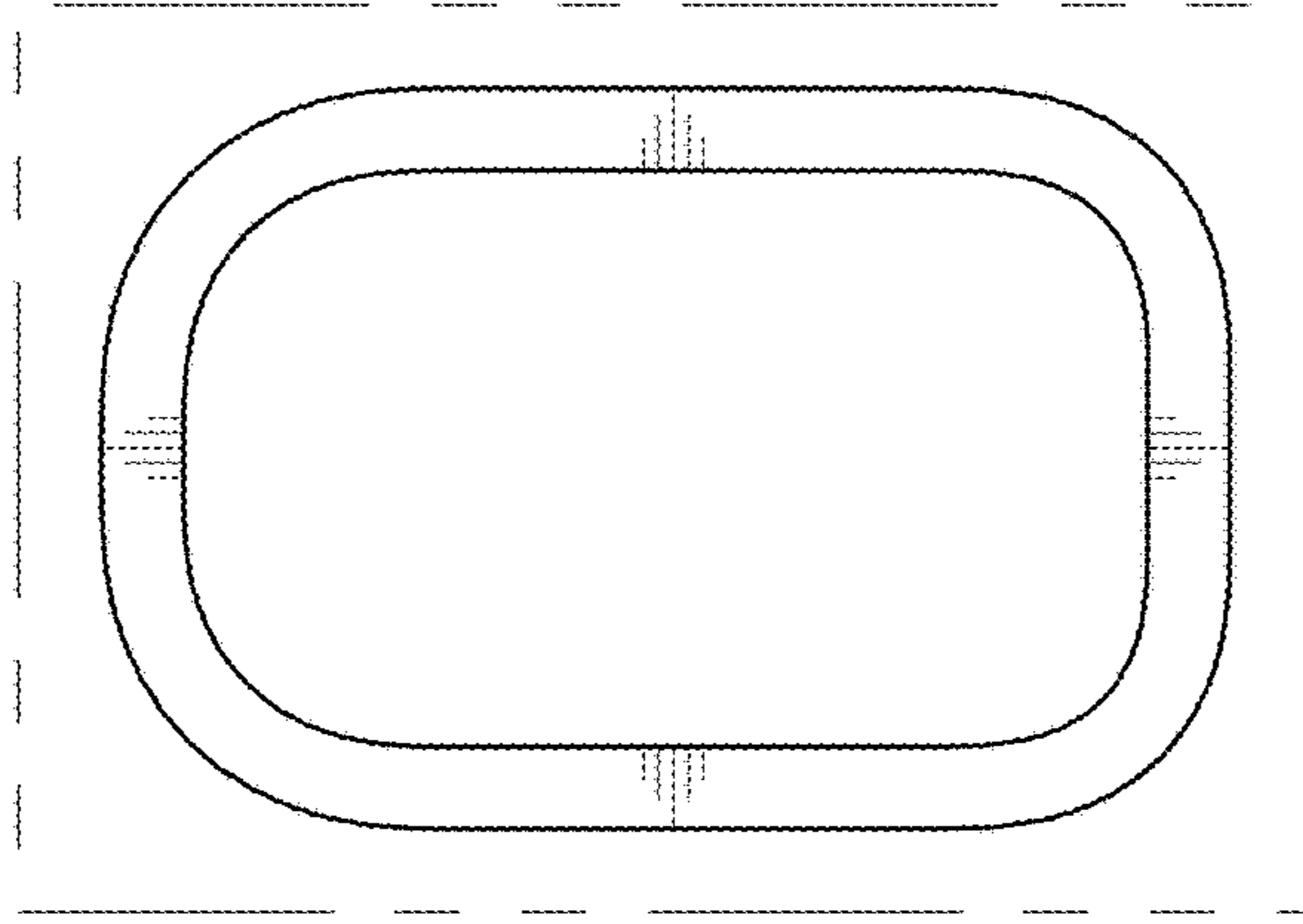


FIG.9

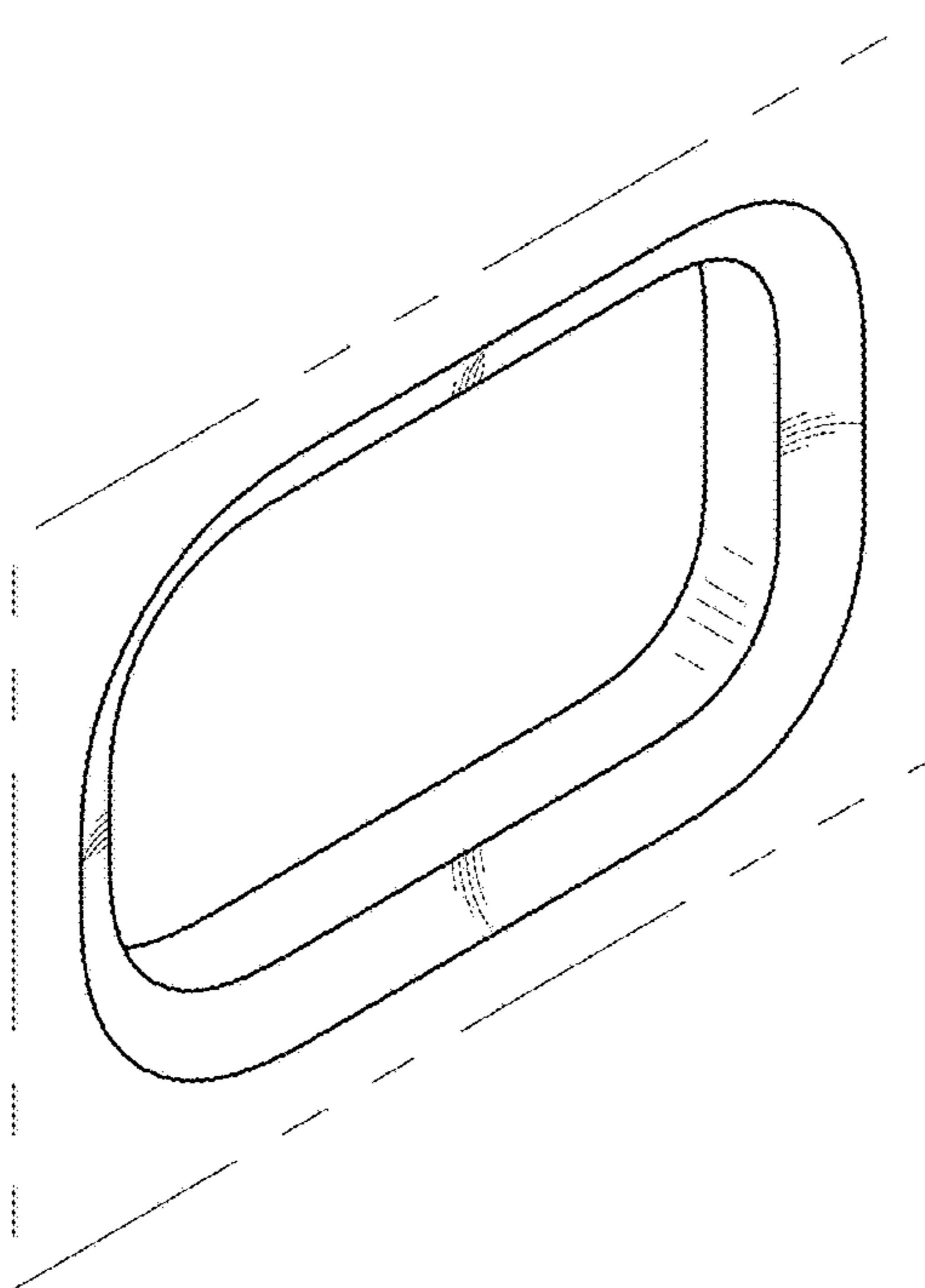


FIG. 10

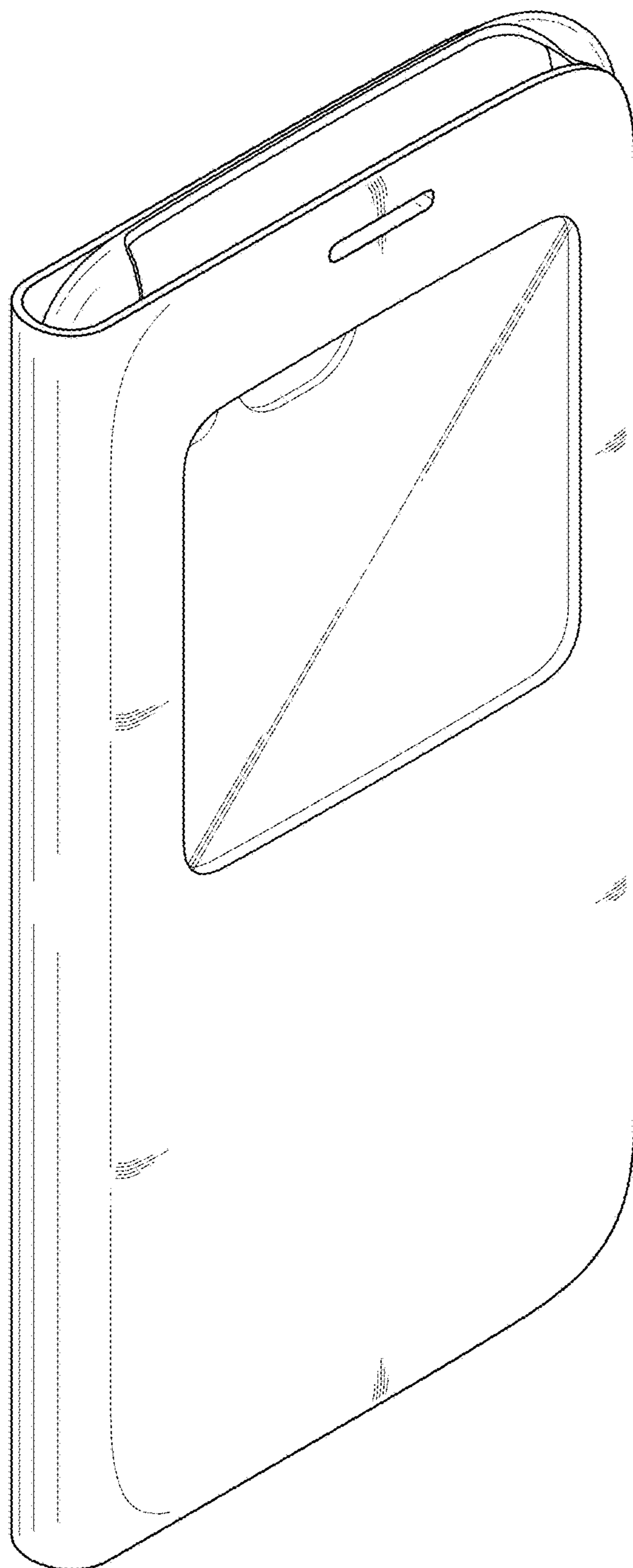


FIG.11

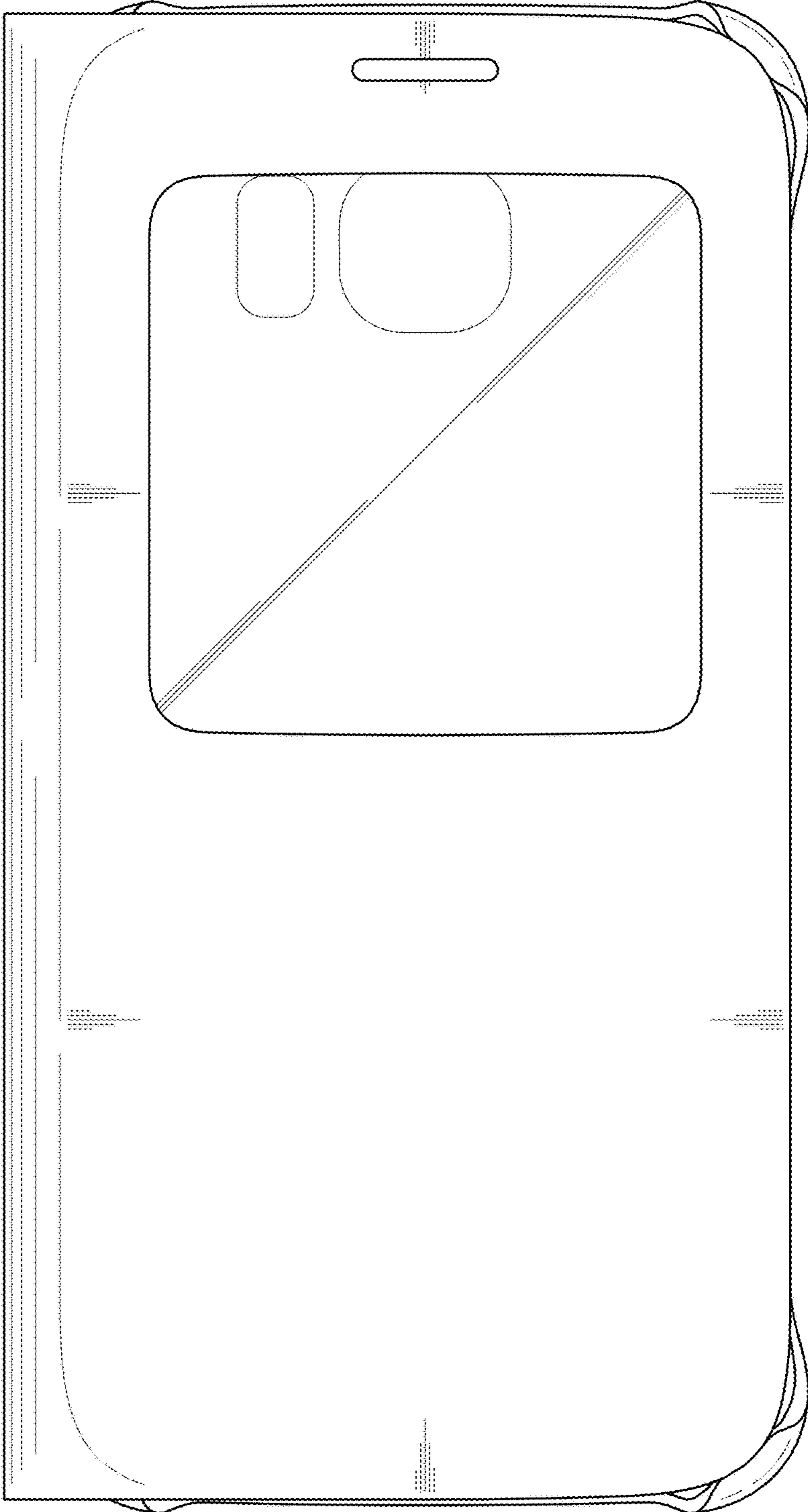


FIG.12

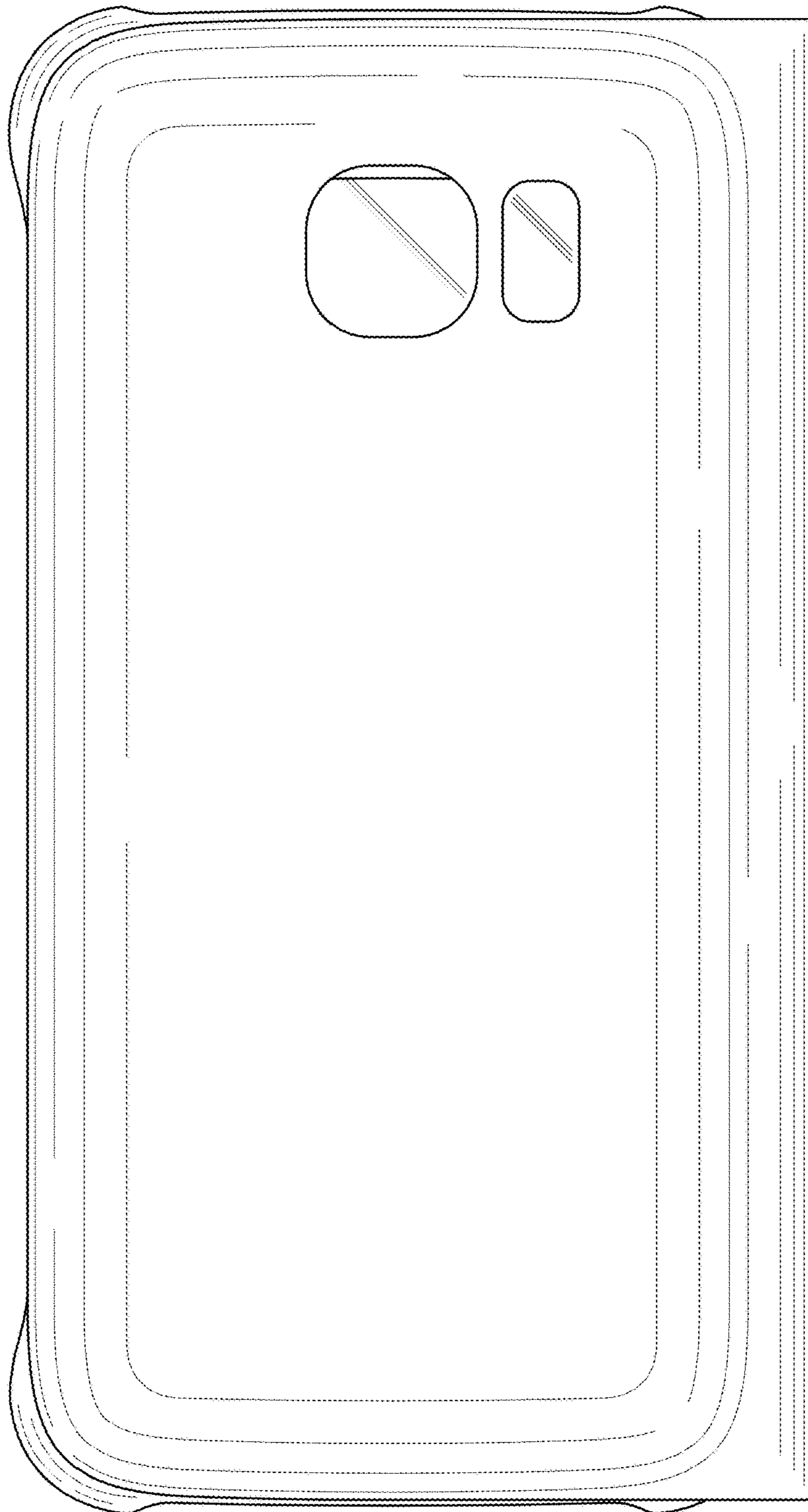


FIG.13

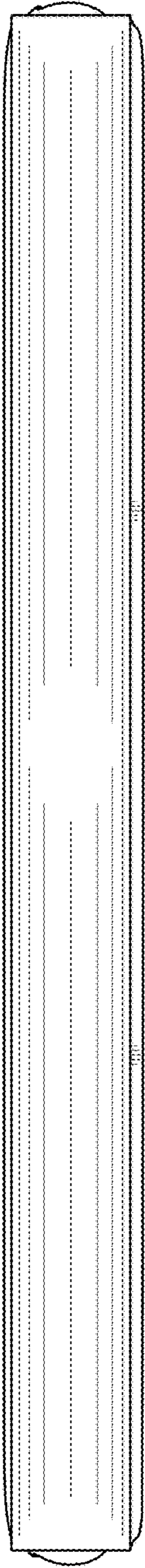


FIG.14

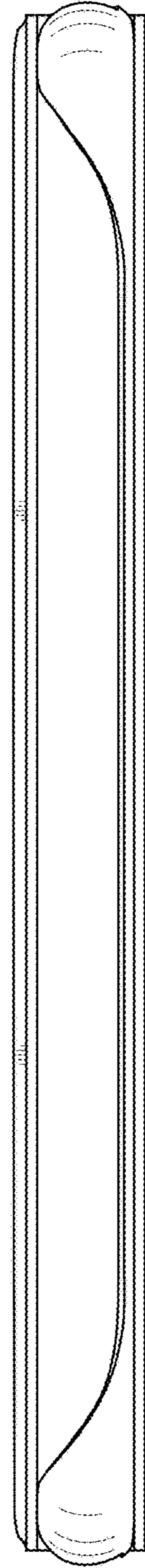


FIG.15

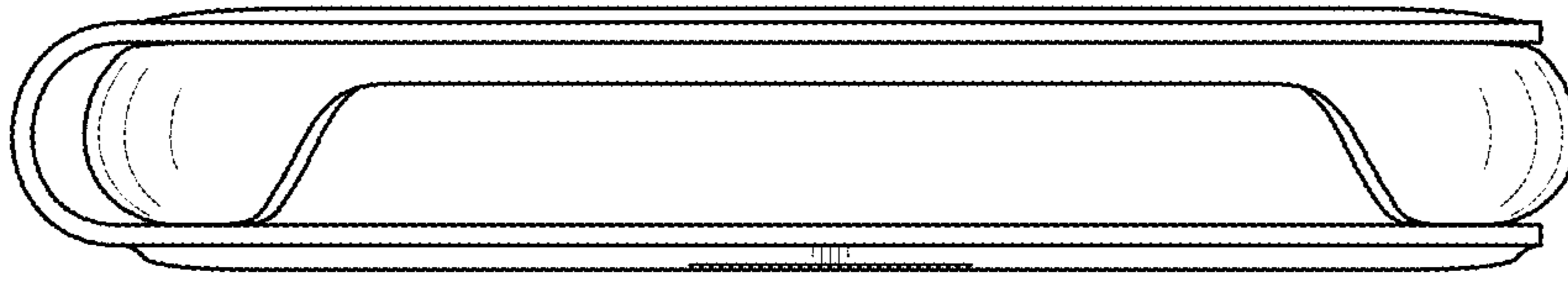


FIG.16

